



US00D415684S

United States Patent [19] Reidenbach

[11] **Patent Number: Des. 415,684**

[45] **Date of Patent: ** Oct. 26, 1999**

[54] **BOTTLE CAP**

[76] Inventor: **Bryan L. Reidenbach**, 26 Northern Dr.,
Millersburg, Ohio 44654

[**] Term: **14 Years**

[21] Appl. No.: **29/100,133**

[22] Filed: **Feb. 5, 1999**

[51] **LOC (6) Cl. 09-07**

[52] **U.S. Cl. D9/453; D9/454**

[58] **Field of Search D9/435, 438, 443,
D9/452, 453, 454, 503; 215/214, 216, 217,
250, 252-257; 220/265, 266**

[56] **References Cited**

U.S. PATENT DOCUMENTS

H803	8/1990	Sherrington	D9/453 X
D. 351,795	10/1994	Ogden	D9/453
D. 385,191	10/1997	Cheek	D9/452 X
3,199,702	8/1965	Fischbach	215/252

3,422,978	1/1969	Quackenbush	215/216
3,805,987	4/1974	Horvath	215/252
5,129,530	7/1992	Fuchs	215/252
5,673,809	10/1997	Ohmi et al.	215/252

Primary Examiner—Cathron B. Matta
Attorney, Agent, or Firm—Sand & Sebolt

[57] **CLAIM**

The ornamental design for a bottle cap, as shown and described.

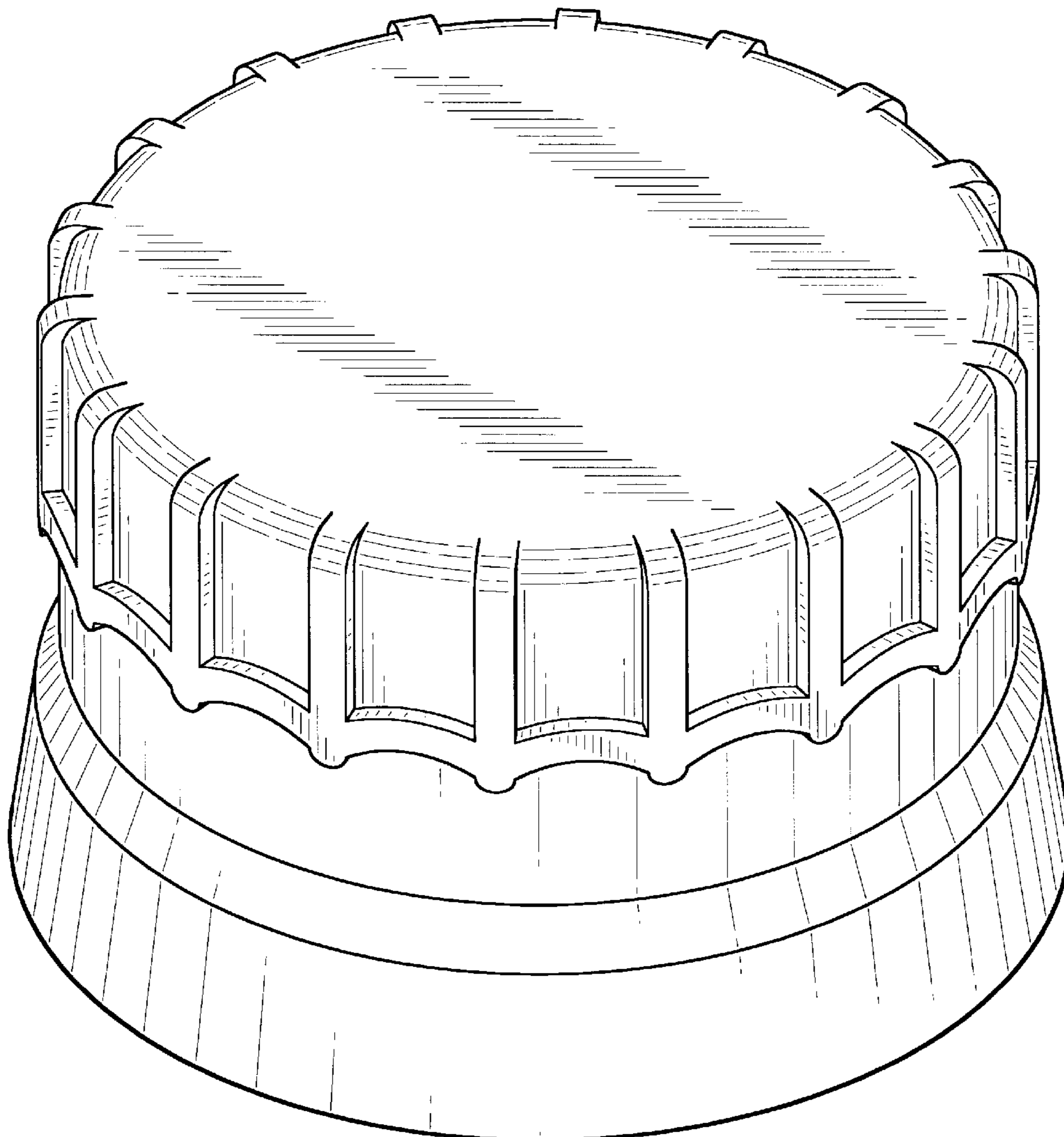
DESCRIPTION

FIG. 1 is a perspective view of the bottle cap of the present invention.

FIG. 2 is a top view of the cap shown in FIG. 1; and, FIG. 3 is a side elevational view of the cap shown in FIG. 1.

The bottom and interior of the bottle cap form no part of the claimed design.

1 Claim, 2 Drawing Sheets



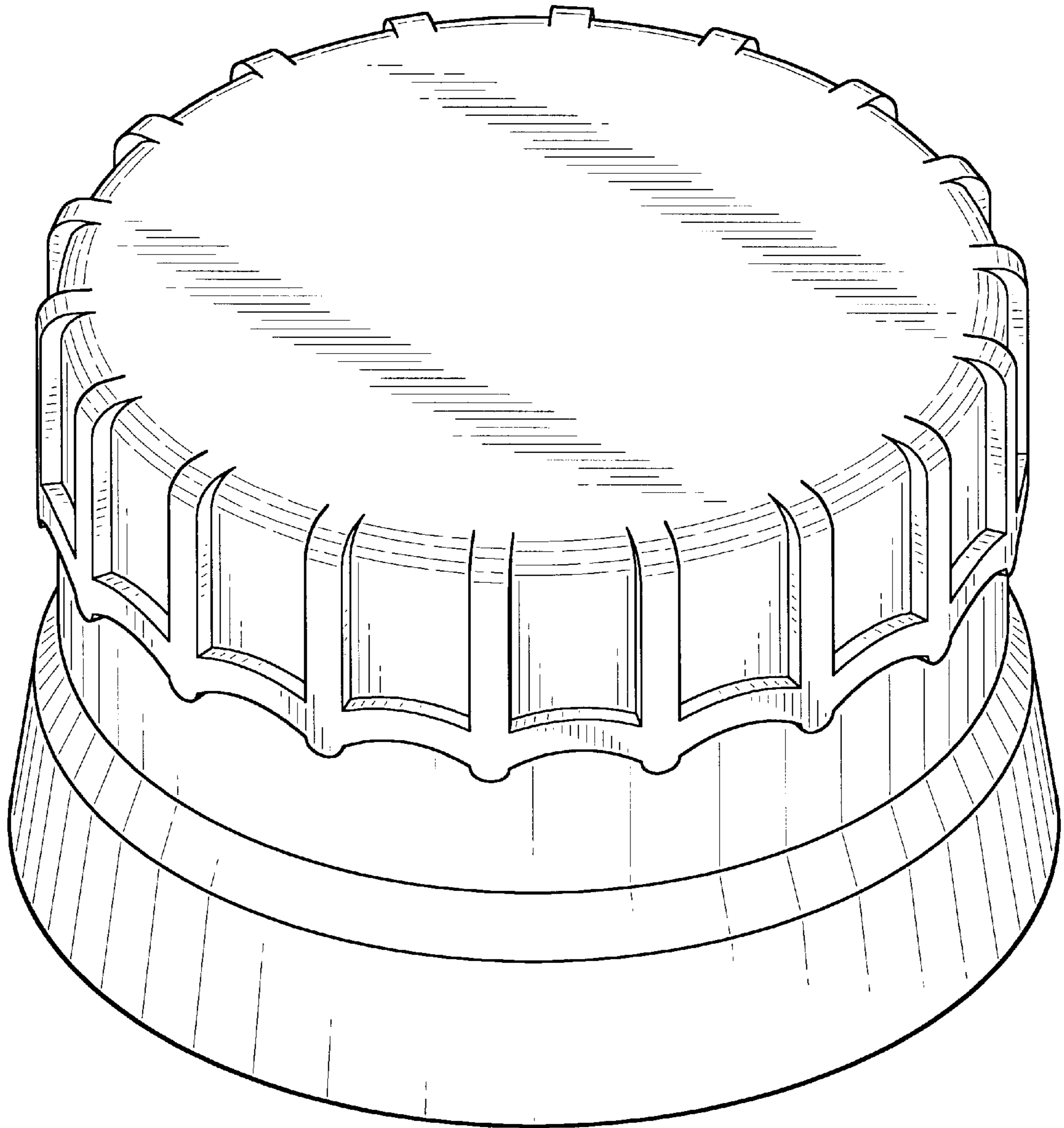


FIG-1

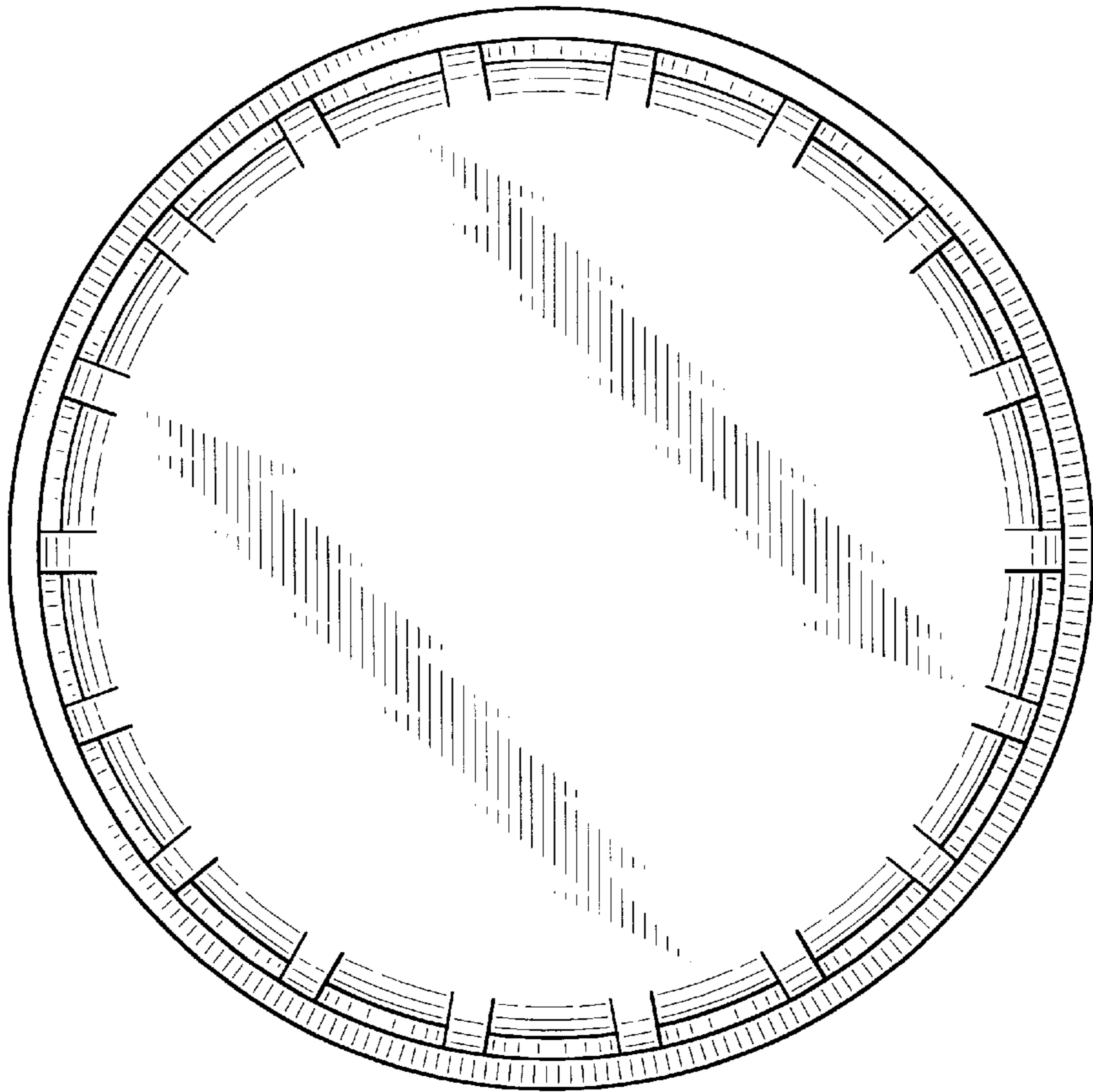


FIG-2

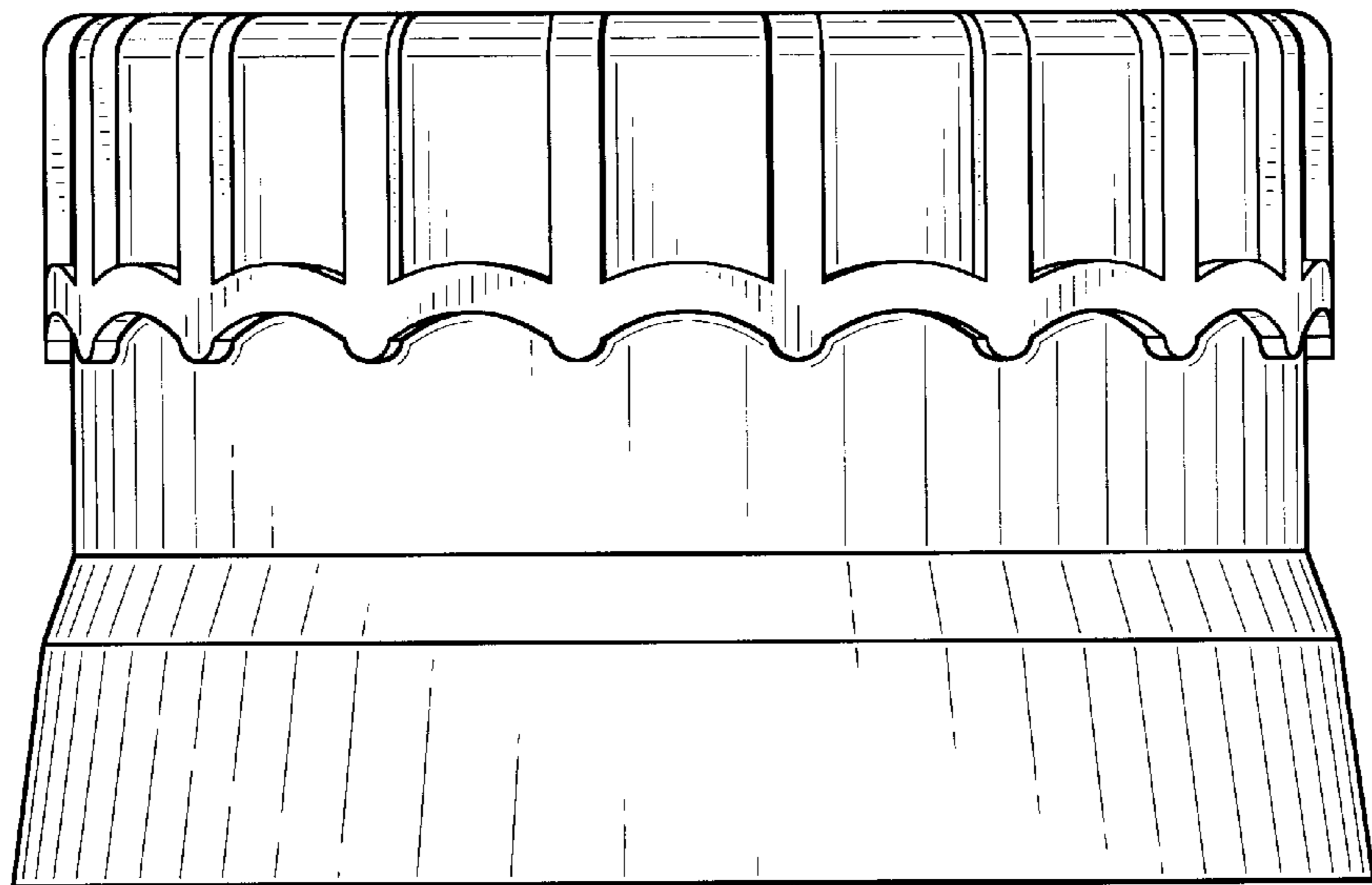


FIG-3