



US00D415681S

United States Patent [19]
Yourist

[11] **Patent Number: Des. 415,681**

[45] **Date of Patent: ** Oct. 26, 1999**

[54] **CONTAINER DOME**

[75] Inventor: **Sheldon Eric Yourist**, York, Pa.

[73] Assignee: **Graham Packaging Company, L.P.**,
York, Pa.

[**] Term: **14 Years**

[21] Appl. No.: **29/089,176**

[22] Filed: **Jun. 8, 1998**

[51] **LOC (6) Cl.** **09-01**

[52] **U.S. Cl.** **D9/434; D9/552**

[58] **Field of Search** **D9/538, 552, 434;**
215/381-384

[56] **References Cited**

U.S. PATENT DOCUMENTS

- D. 69,462 2/1926 Sears .
- D. 101,483 10/1936 Mott .
- D. 162,559 3/1951 Meshberg D9/556
- D. 186,085 9/1959 Dallas .
- D. 190,835 7/1961 Fuerst .
- D. 212,276 9/1968 Lodding .
- D. 216,361 12/1969 Pappas, Jr. .
- D. 230,136 1/1974 Strand .
- D. 305,984 2/1990 Alberghini et al. .
- D. 348,006 6/1994 Feen .
- D. 358,547 5/1995 Darr .

- D. 377,904 2/1997 Hestehave et al. .
- D. 386,088 11/1997 Satoh .
- D. 387,284 12/1997 Briggs et al. D9/552
- D. 406,065 2/1999 Cheng D9/434
- 5,593,056 1/1997 Mero et al. .
- 5,704,504 1/1998 Bueno .

Primary Examiner—Dominic Simone
Attorney, Agent, or Firm—Howson and Howson

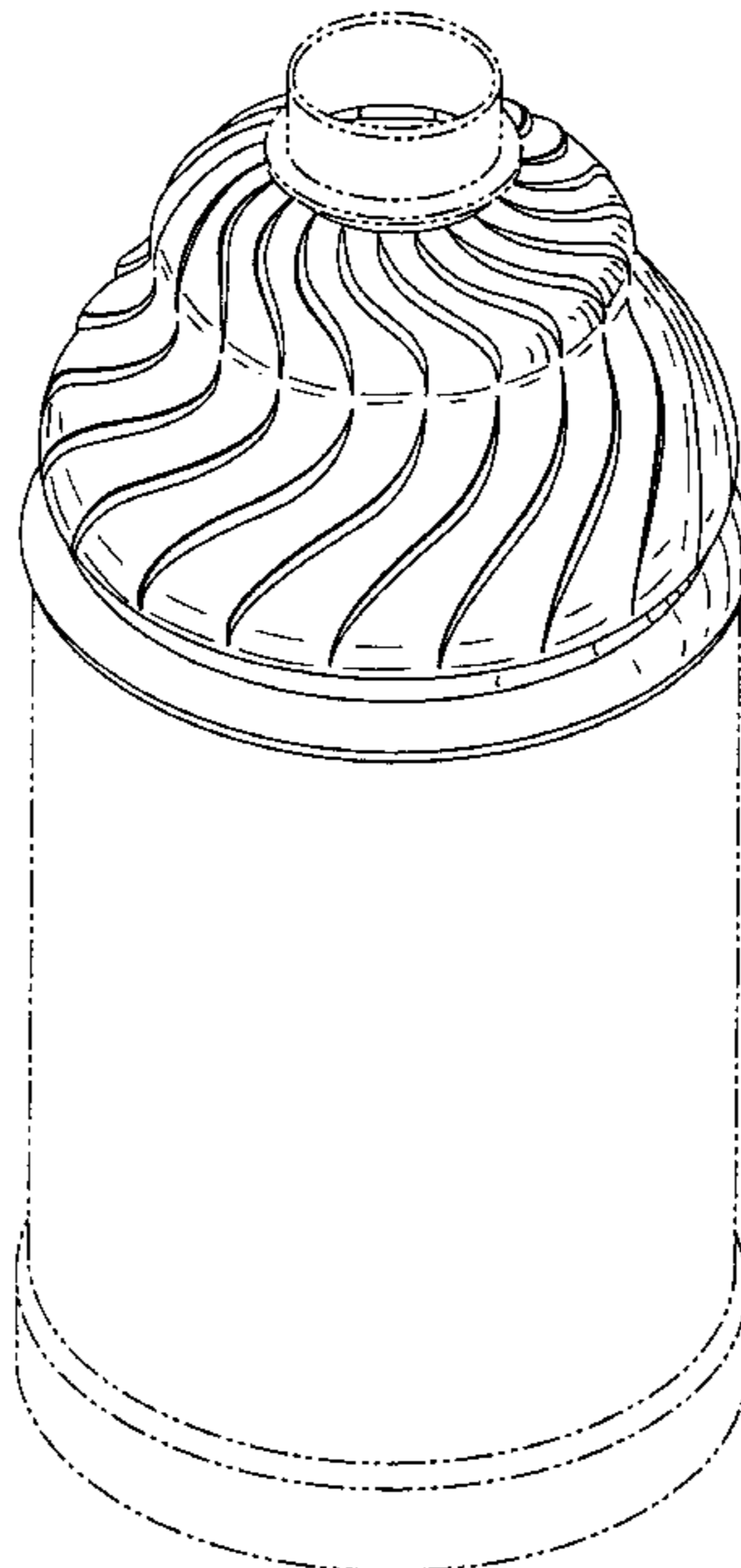
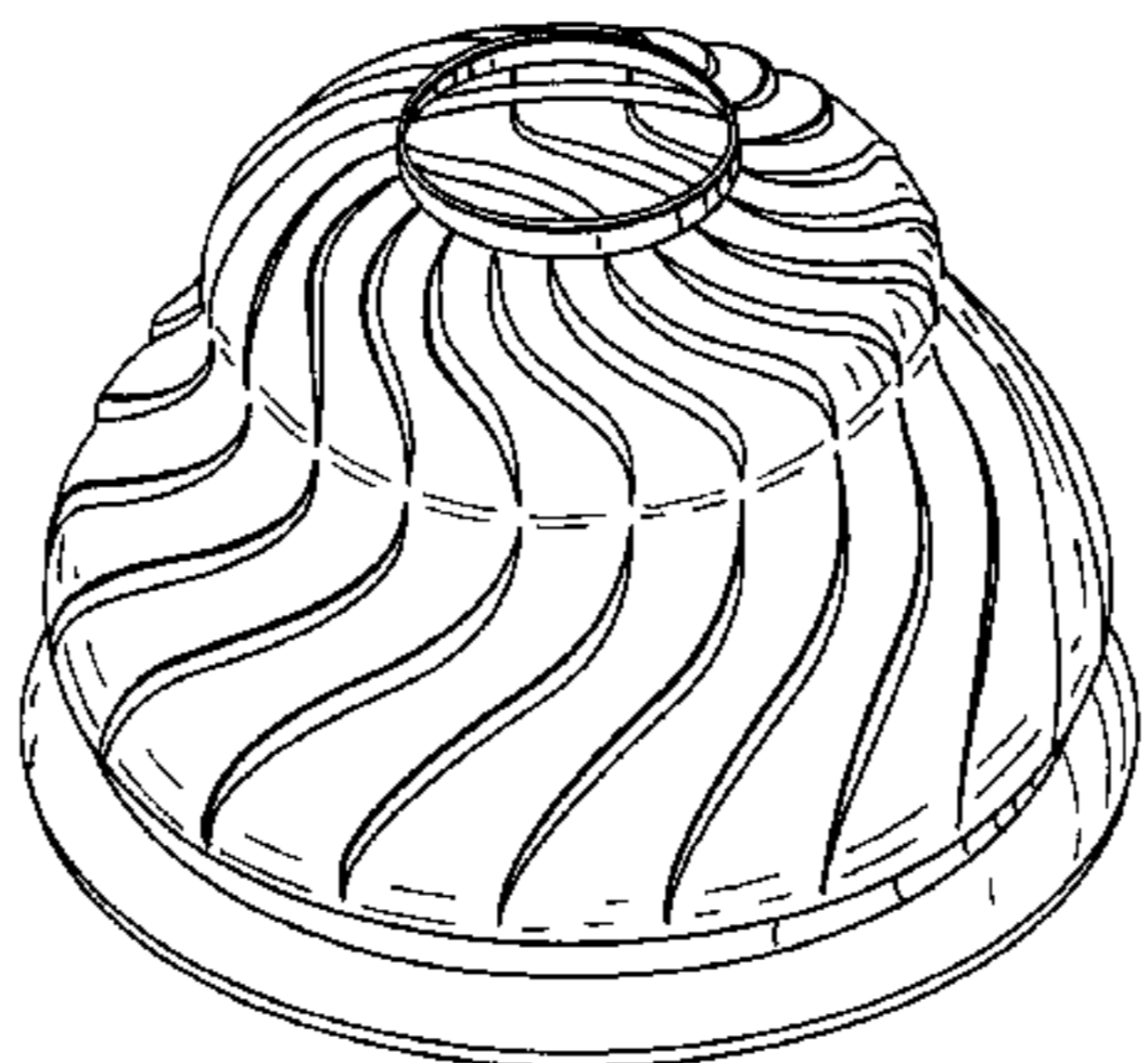
[57] **CLAIM**

The ornamental design for the container dome, as shown and described.

DESCRIPTION

FIG. 1 is a perspective view of a container dome embodying my new design;
 FIG. 2 is a top plan view of the container dome of FIG. 1;
 FIG. 3 is a front elevational view of the container dome of FIG. 1, the rear, left and right side elevational views being identical;
 FIG. 4 is a bottom plan view of the container dome of FIG. 1; and,
 FIG. 5 is a perspective view of a container having the container dome of FIG. 1.
 The broken line showing in FIG. 5 of the container finish and sidewall is for illustrative purposes only and forms no part of the claimed design.

1 Claim, 3 Drawing Sheets



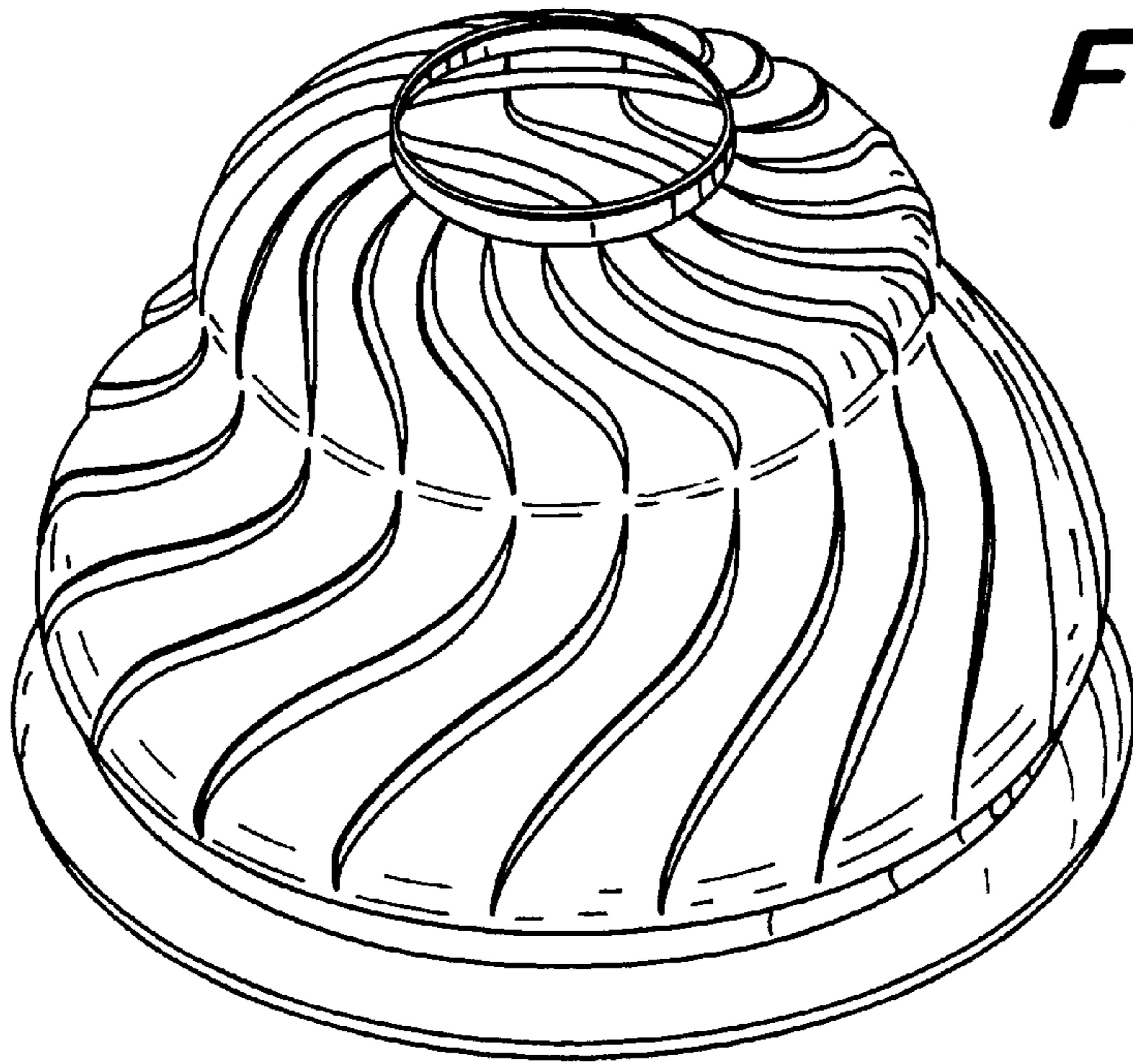


FIG. 1

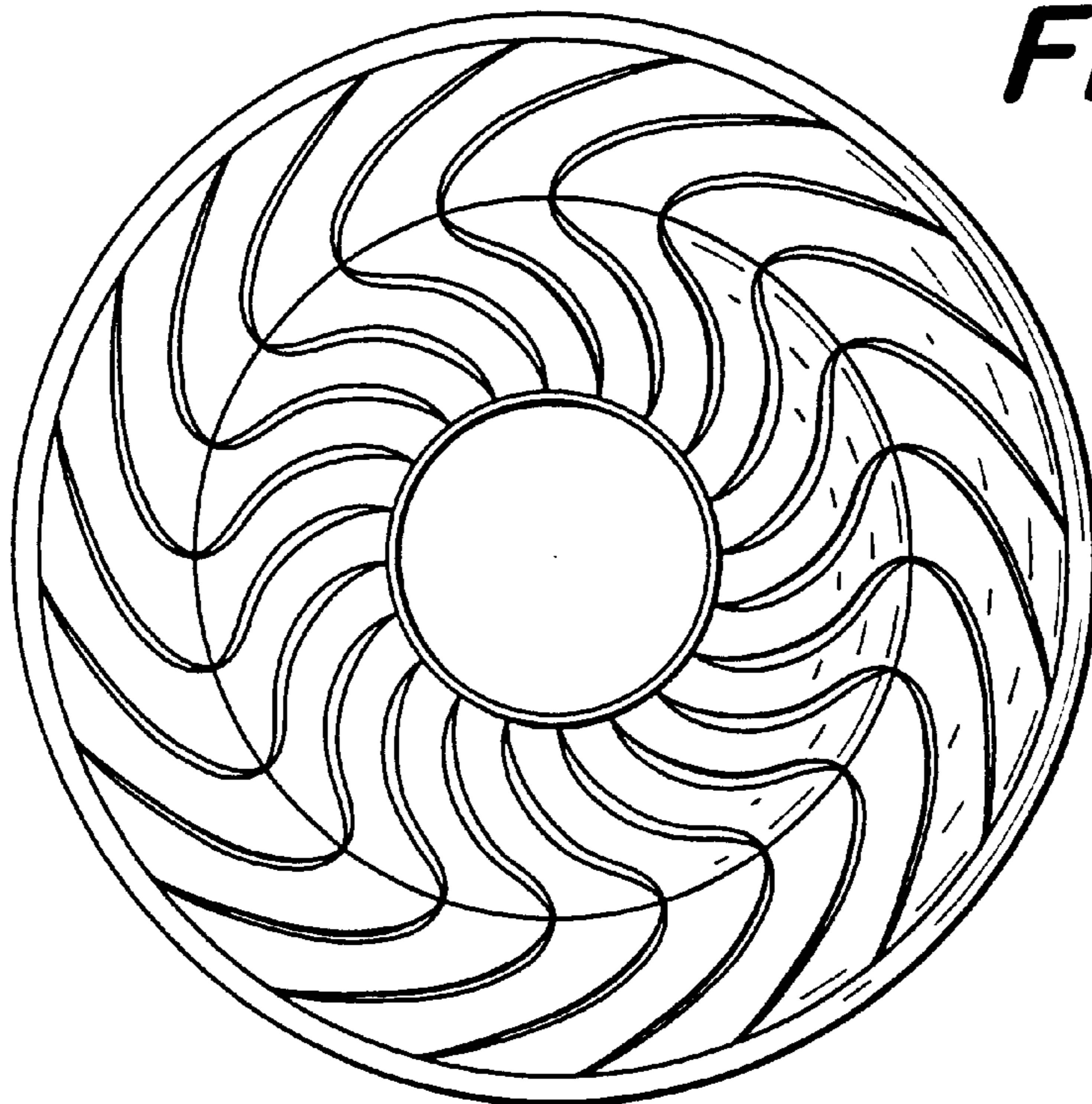


FIG. 2

FIG. 3

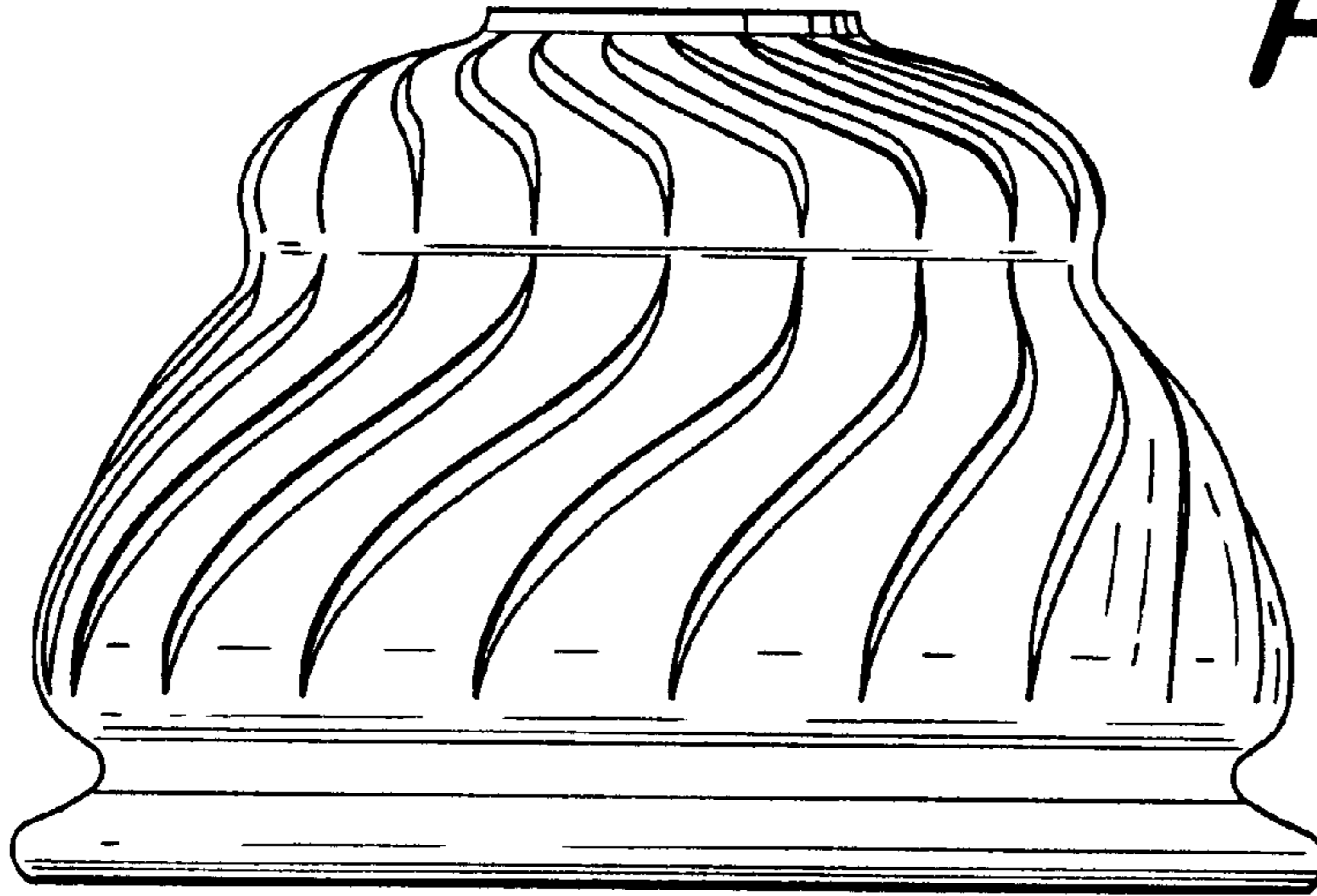
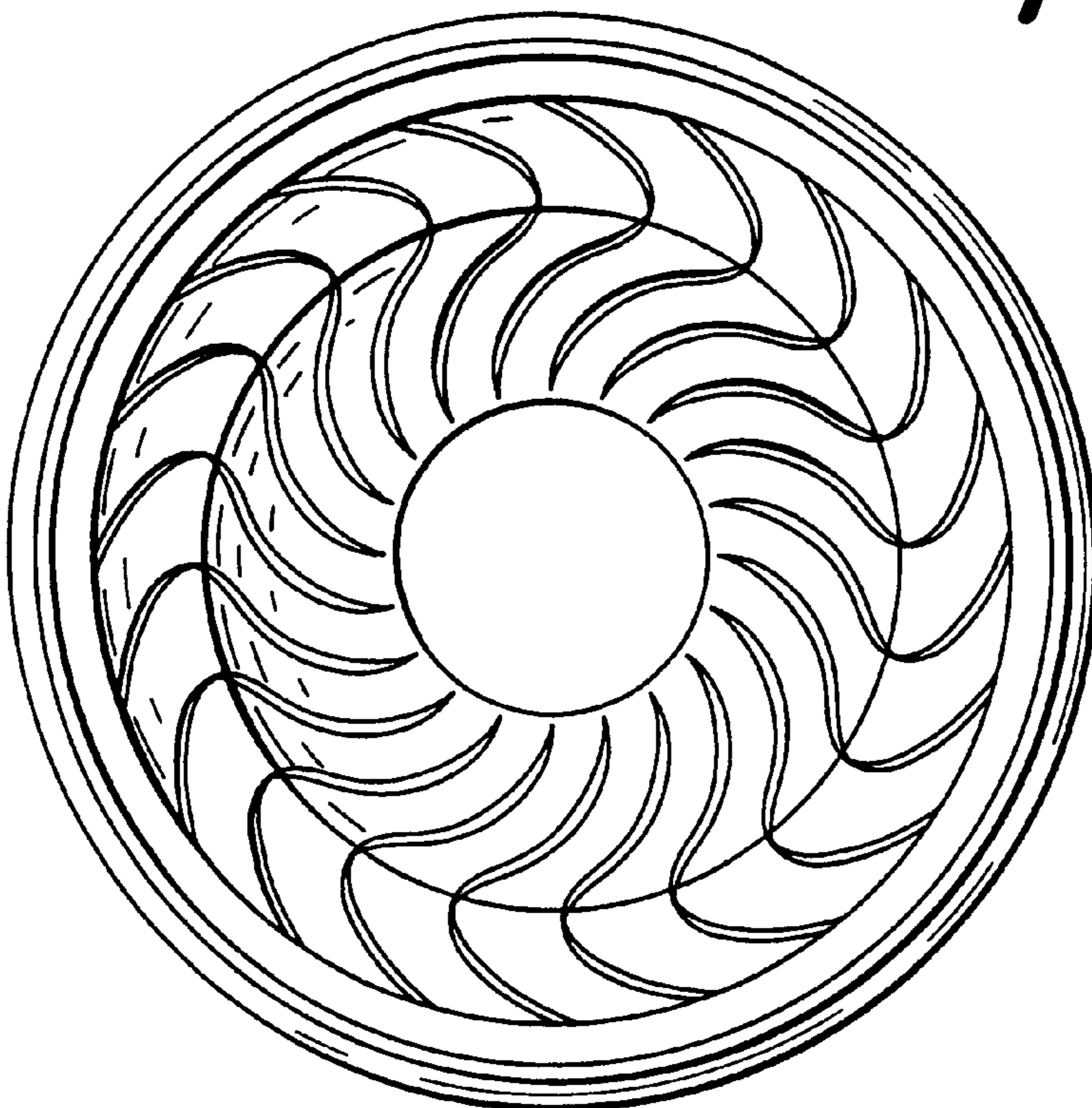


FIG. 4



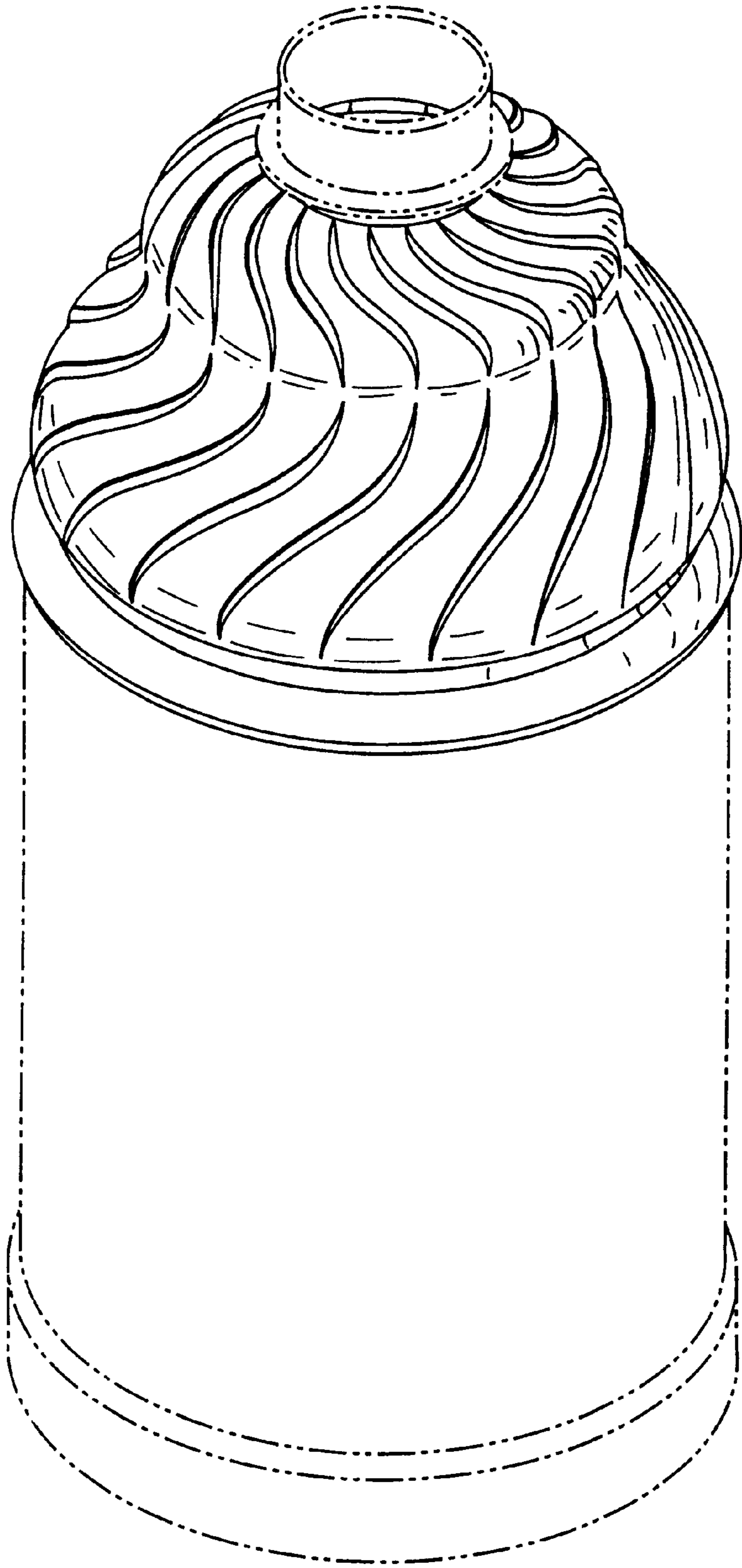


FIG. 5