



US00D415680S

United States Patent [19] Sheffer

[11] **Patent Number: Des. 415,680**

[45] **Date of Patent: ** Oct. 26, 1999**

[54] **BLANK FOR STACKABLE TRAY WITH LOCKING LID**

5,277,360 1/1994 DeMott 229/122
5,413,276 5/1995 Sheffer 229/120.11

[76] Inventor: **Phil B. Sheffer**, R.D. 1, Box 106B,
Thomasville, Pa. 17364

Primary Examiner—Ted Shooman
Assistant Examiner—Nanda Bondade
Attorney, Agent, or Firm—Duane, Morris & Heckscher LLP

[**] Term: **14 Years**

[57] **CLAIM**

[21] Appl. No.: **29/084,997**

The ornamental design of a blank for stackable tray with locking lid, as shown and described.

[22] Filed: **Mar. 13, 1998**

DESCRIPTION

[51] **LOC (6) Cl.** **09-03**

[52] **U.S. Cl.** **D9/433; D9/432**

[58] **Field of Search** D9/346, 432, 433;
299/117.08, 119, 240, 915, 176

FIG. 1 is a perspective view of a blank for stackable tray with locking lid according to the inventive design; FIG. 2 is an elevational view of one side, the other side being a mirror image thereof; FIG. 3 is a top plan view thereof; FIG. 4 is a front elevational view thereof; FIG. 5 is a bottom plan view thereof; and, FIG. 6 is a rear elevational view thereof.

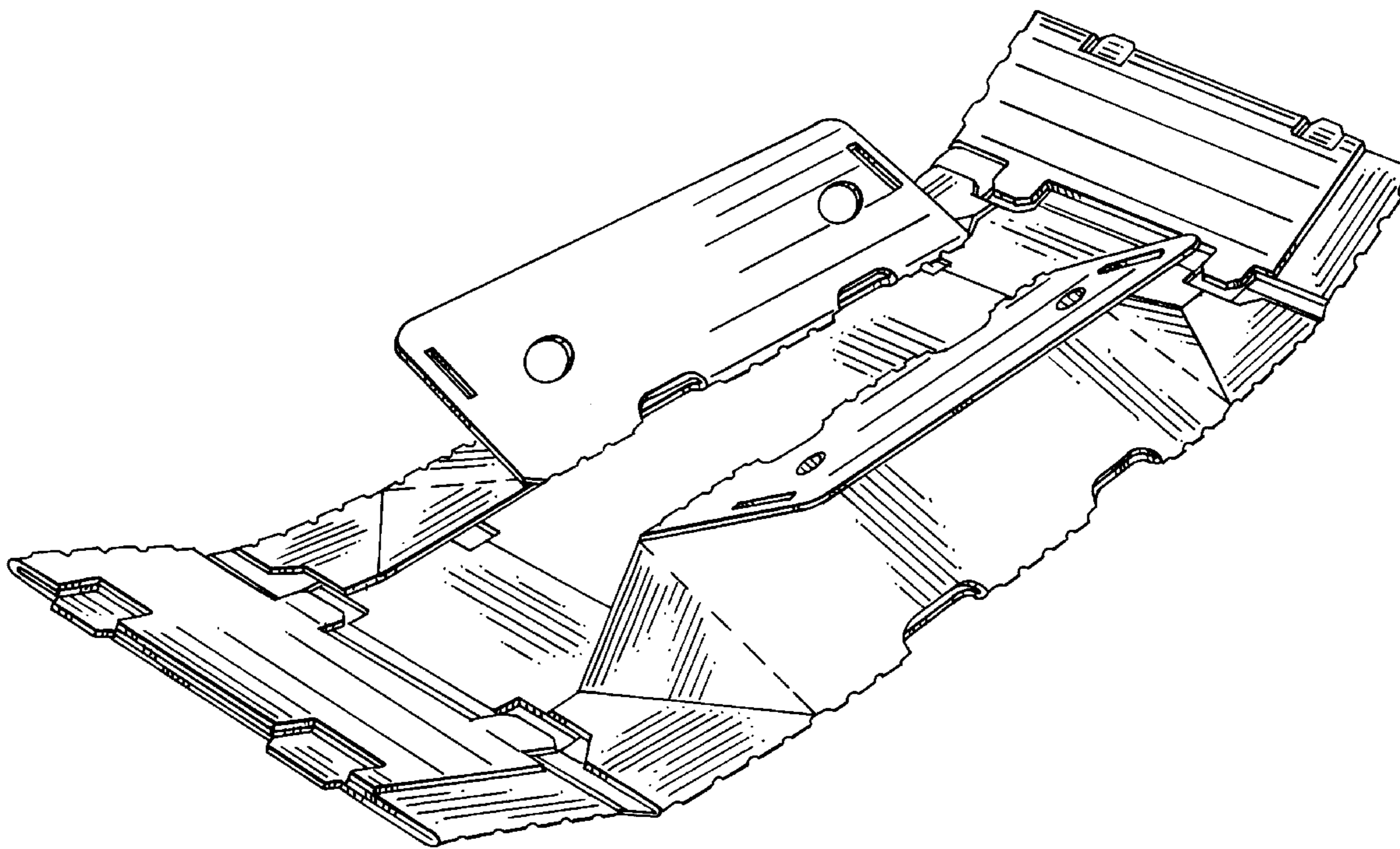
[56] **References Cited**

U.S. PATENT DOCUMENTS

D. 348,607	7/1994	Young	D9/432 X
2,122,885	7/1938	Lowey	229/117.08 X
2,702,663	2/1955	Klein	229/176
3,249,284	5/1966	Wood	D9/432 X
4,383,636	5/1983	Chaffers	229/915 X

The broken line showing on FIGS. 1 and 3 represent fold lines.

1 Claim, 3 Drawing Sheets



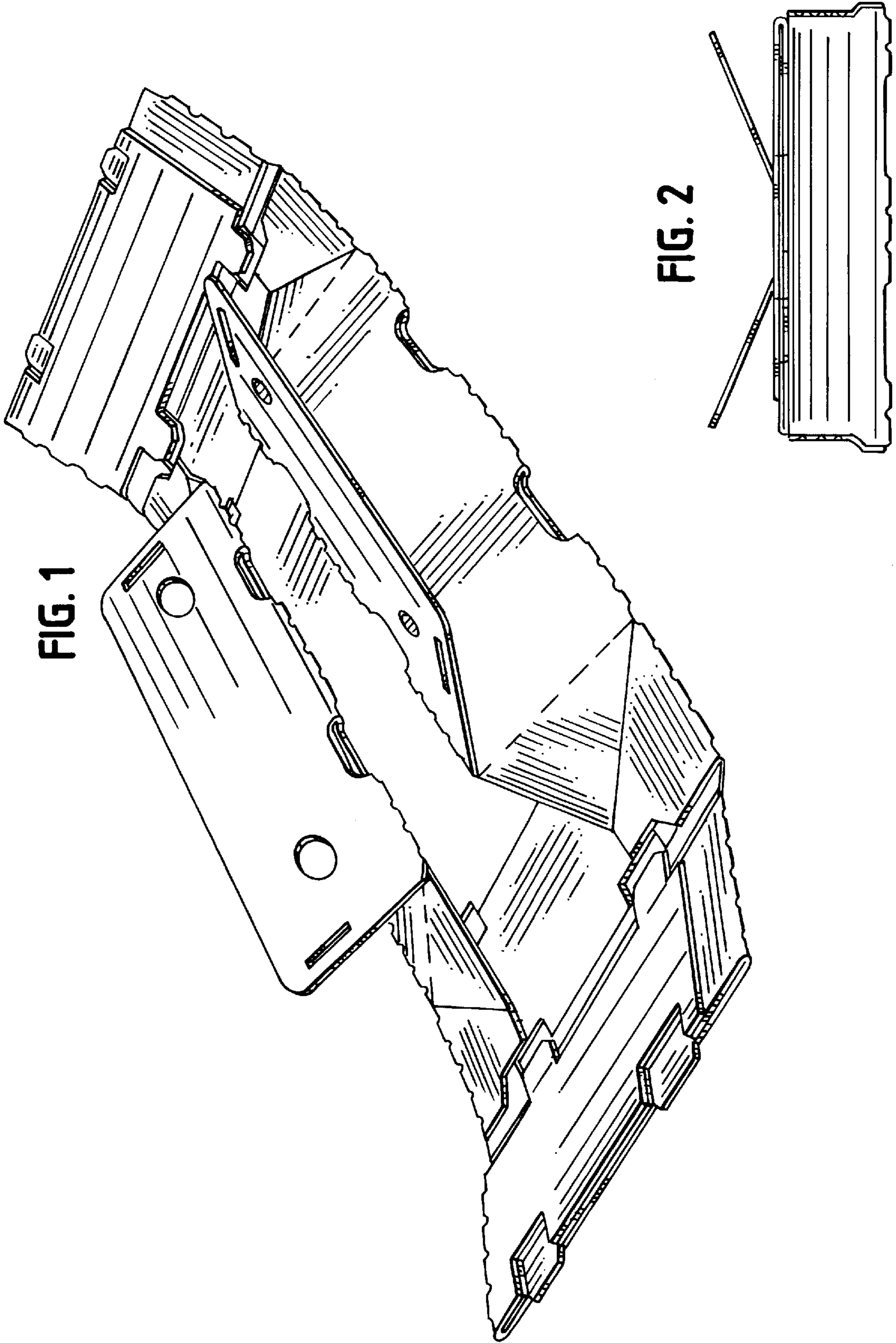


FIG. 3

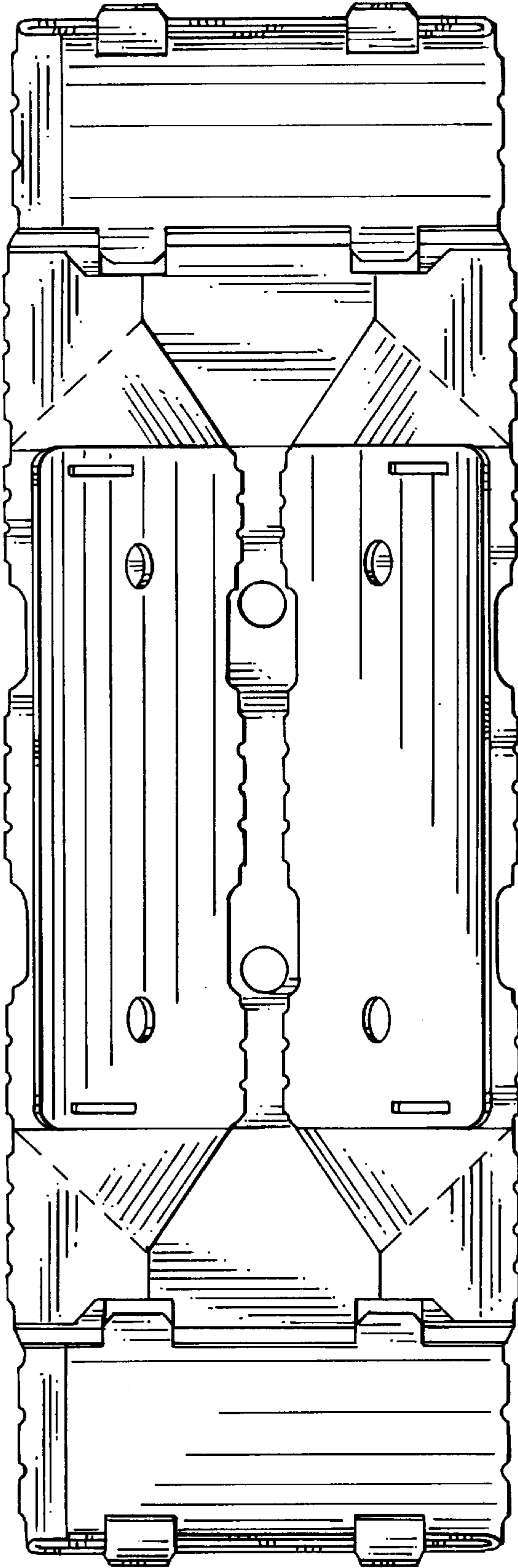


FIG. 4

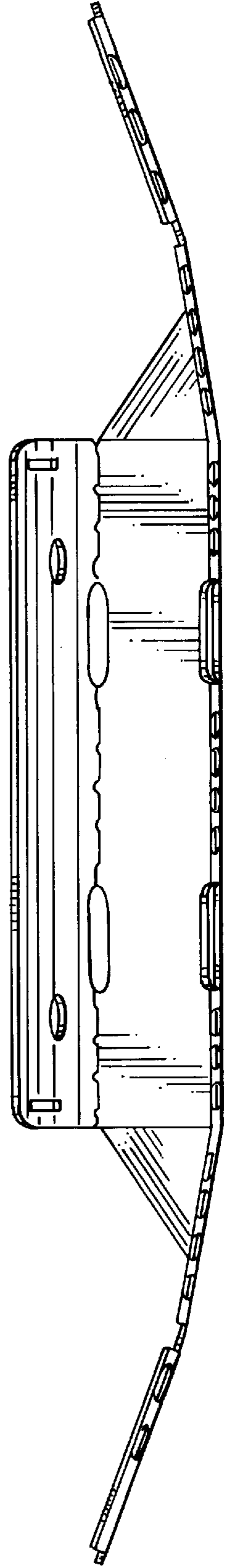


FIG. 5

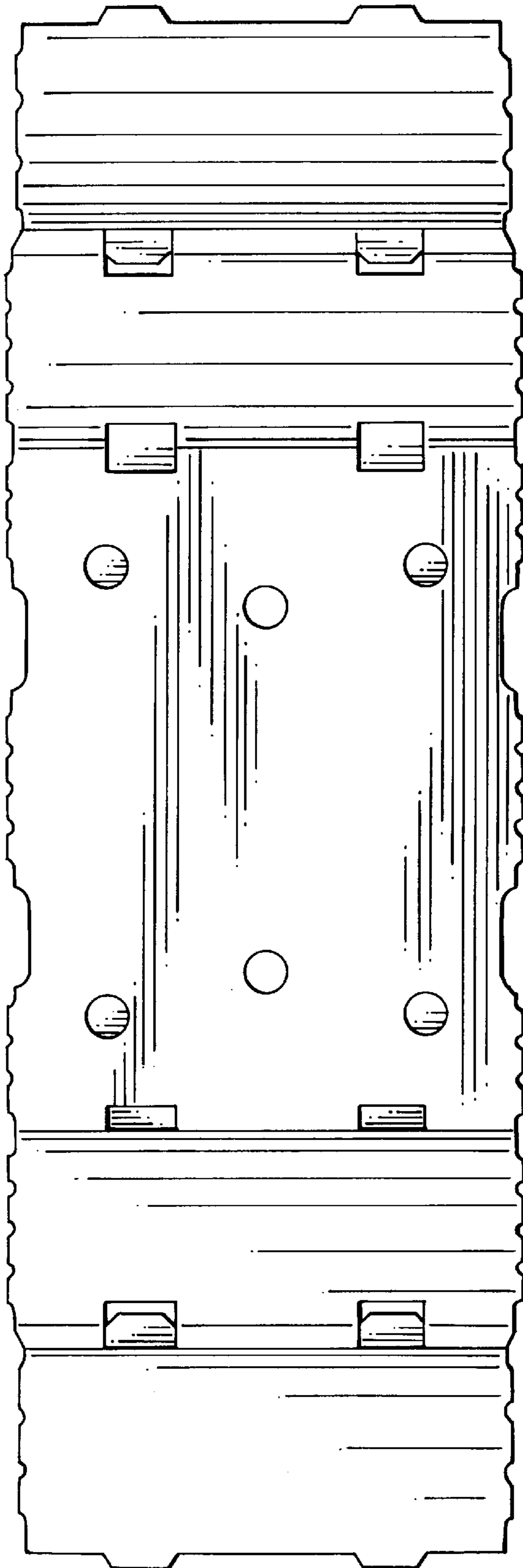


FIG. 6

