



US00D415677S

United States Patent [19] Cheung

[11] **Patent Number: Des. 415,677**

[45] **Date of Patent: ** Oct. 26, 1999**

[54] **PLASTIC REINFORCE CORNER**

3,970,354 7/1976 Simikoski 248/345.1

[75] Inventor: **Kin Cheung**, Kowloon, The Hong Kong Special Administrative Region of the People's Republic of China

Primary Examiner—Susan J. Lucas
Assistant Examiner—Jennifer Rivard
Attorney, Agent, or Firm—Rosenberg, Klein & Bilker

[73] Assignee: **Sing Sing Fibers Industry Co., Ltd.**, Kowloon, The Hong Kong Special Administrative Region of the People's Republic of China

[57] **CLAIM**

The ornamental design for a plastic reinforce corner, as shown and described.

[**] Term: **14 Years**

DESCRIPTION

[21] Appl. No.: **29/078,552**

FIG. 1 is a front, top and right perspective view of a plastic reinforce corner showing my new design;
FIG. 2 is a front view thereof;
FIG. 3 is a rear view thereof;
FIG. 4 is a right side elevational view thereof;
FIG. 5 is a left side elevational view thereof;
FIG. 6 is a top plan view thereof;
FIG. 7 is a bottom plan view thereof; and,
FIG. 8 is a view similar to FIG. 1, of a reduced scale, further showing environment of use of the corner retainer. The broken lines in FIG. 8 are environmental only and form no part of the claimed design.

[22] Filed: **Oct. 30, 1997**

[51] **LOC (6) Cl.** **08-09**

[52] **U.S. Cl.** **D8/403**

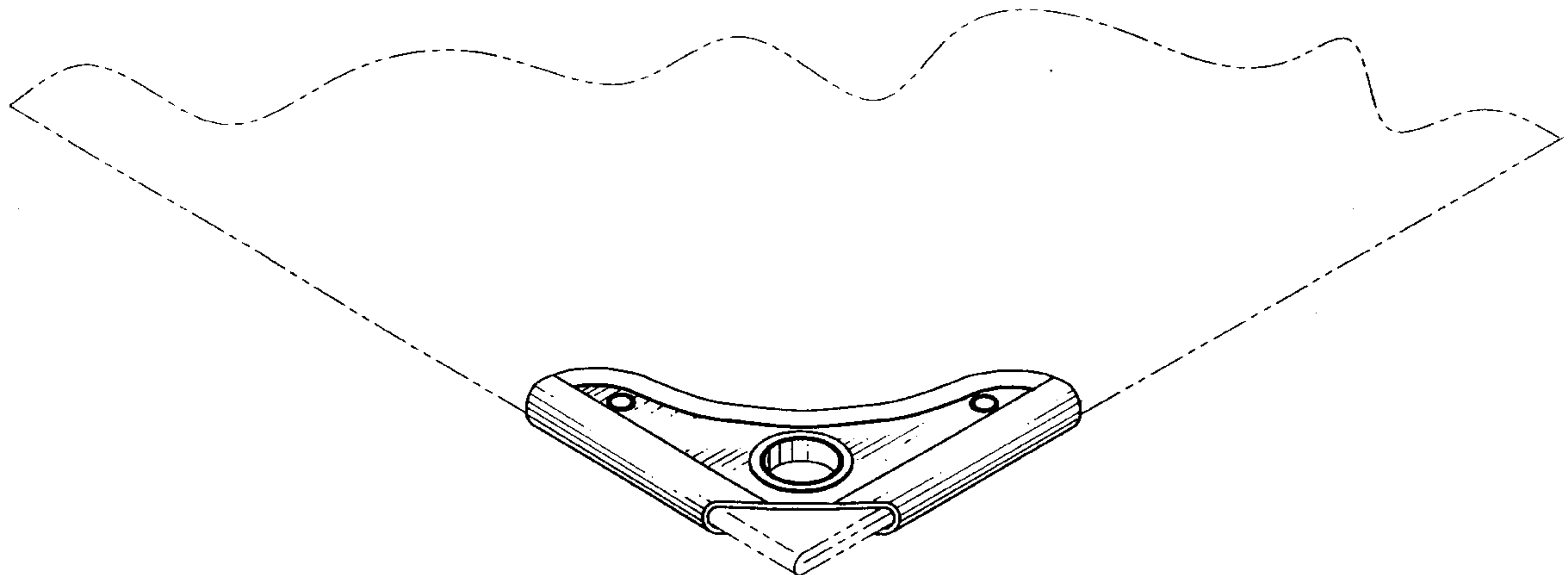
[58] **Field of Search** 248/345.1; 52/287.1, 52/288.1; D8/400, 402, 403; 206/453, 586

[56] **References Cited**

U.S. PATENT DOCUMENTS

D. 385,485 10/1997 Brandes D8/403
3,446,354 5/1969 Frosoy 206/453

1 Claim, 4 Drawing Sheets



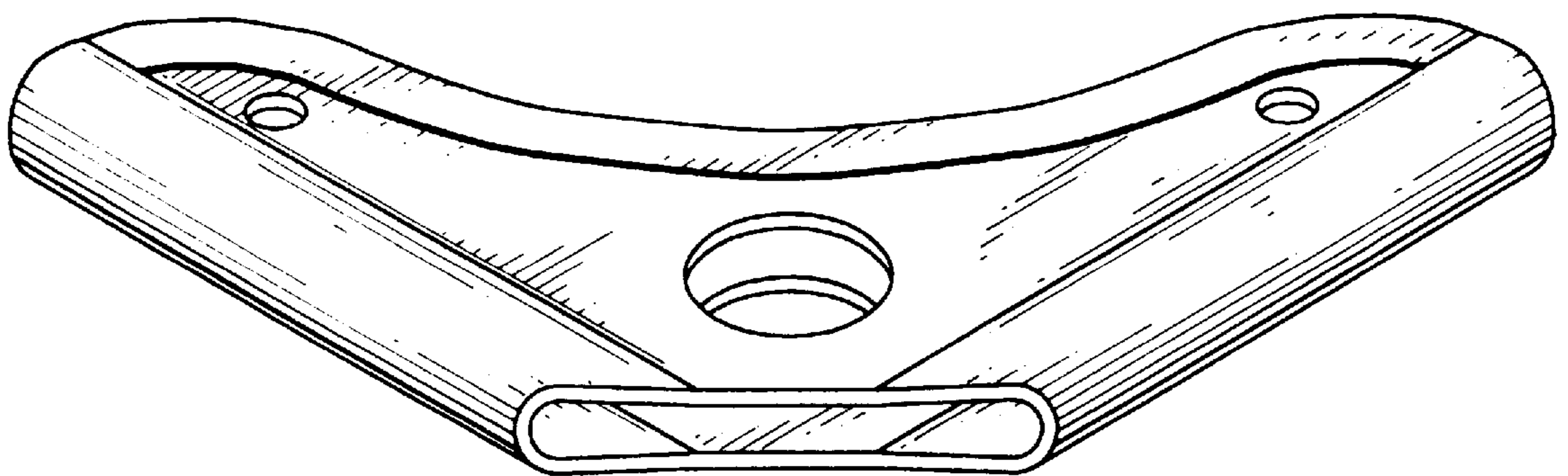


FIG. 1

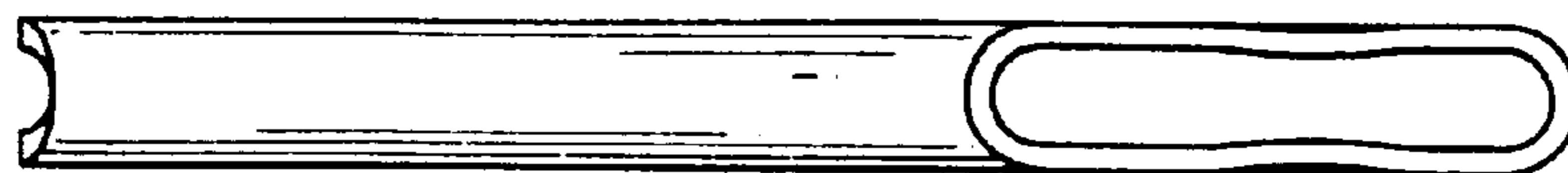


FIG. 2

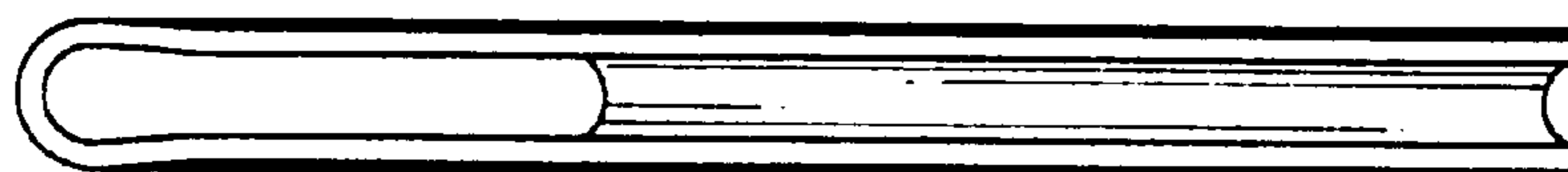


FIG. 3

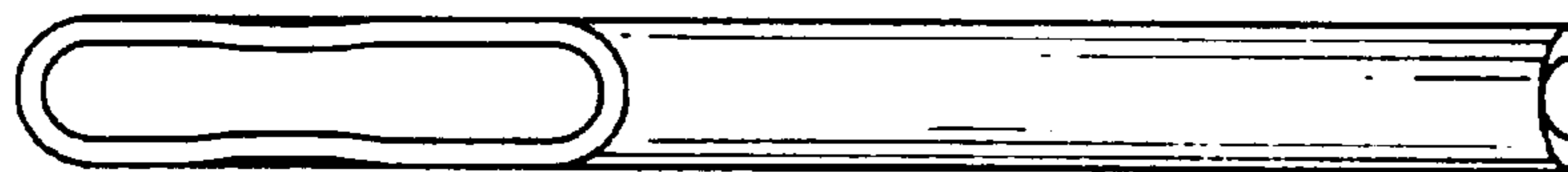


FIG. 5

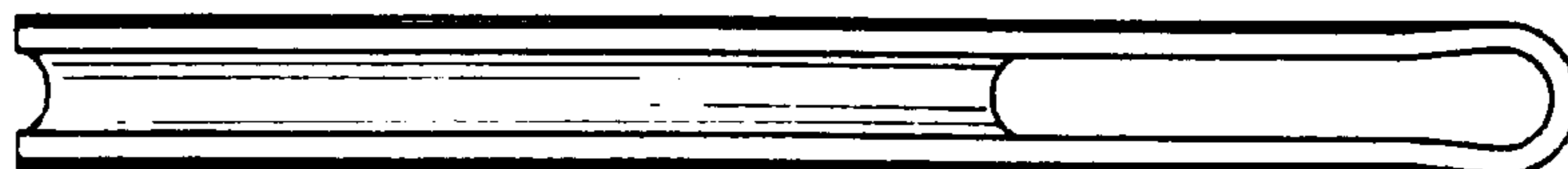


FIG. 4

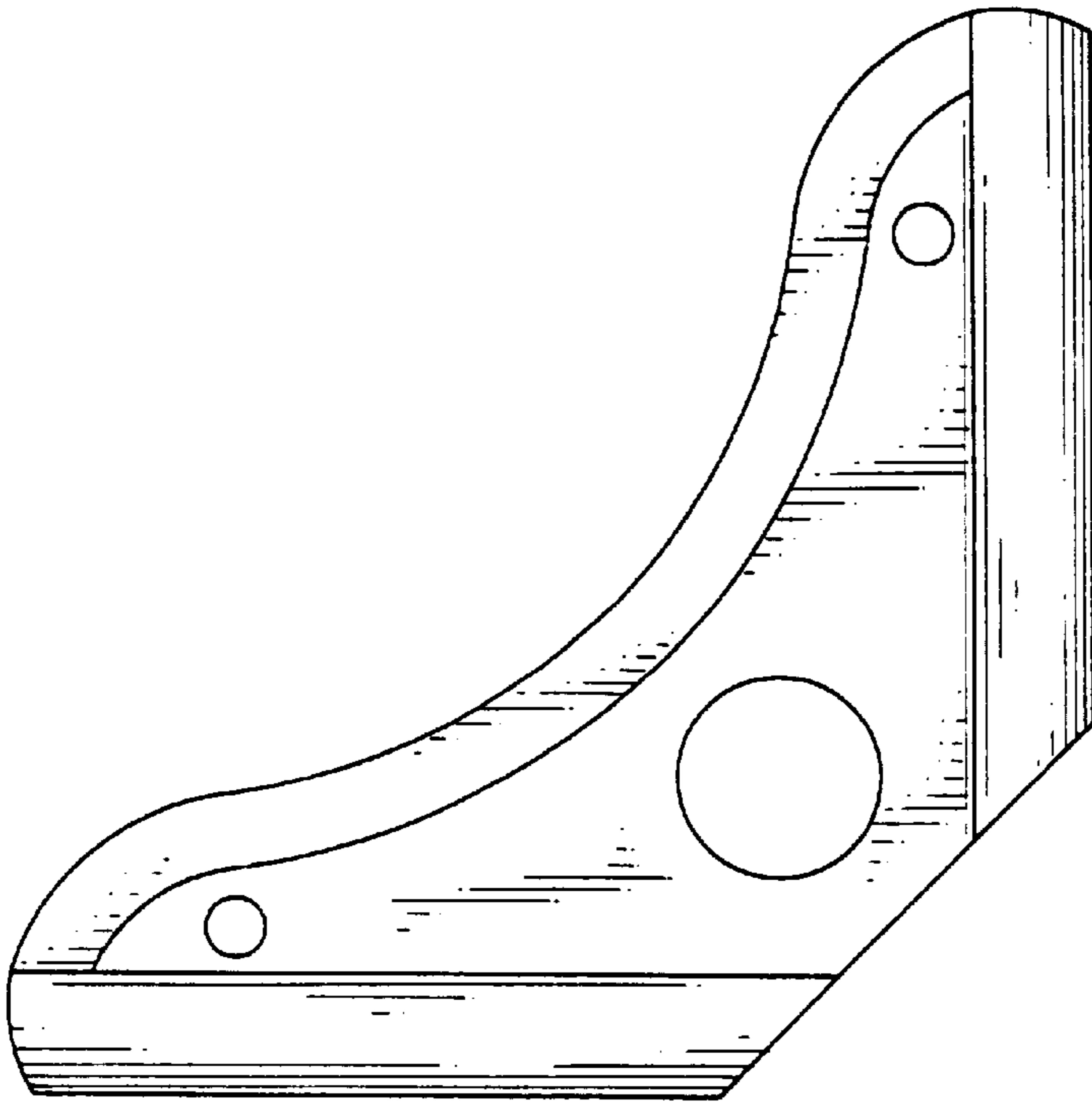


FIG. 6

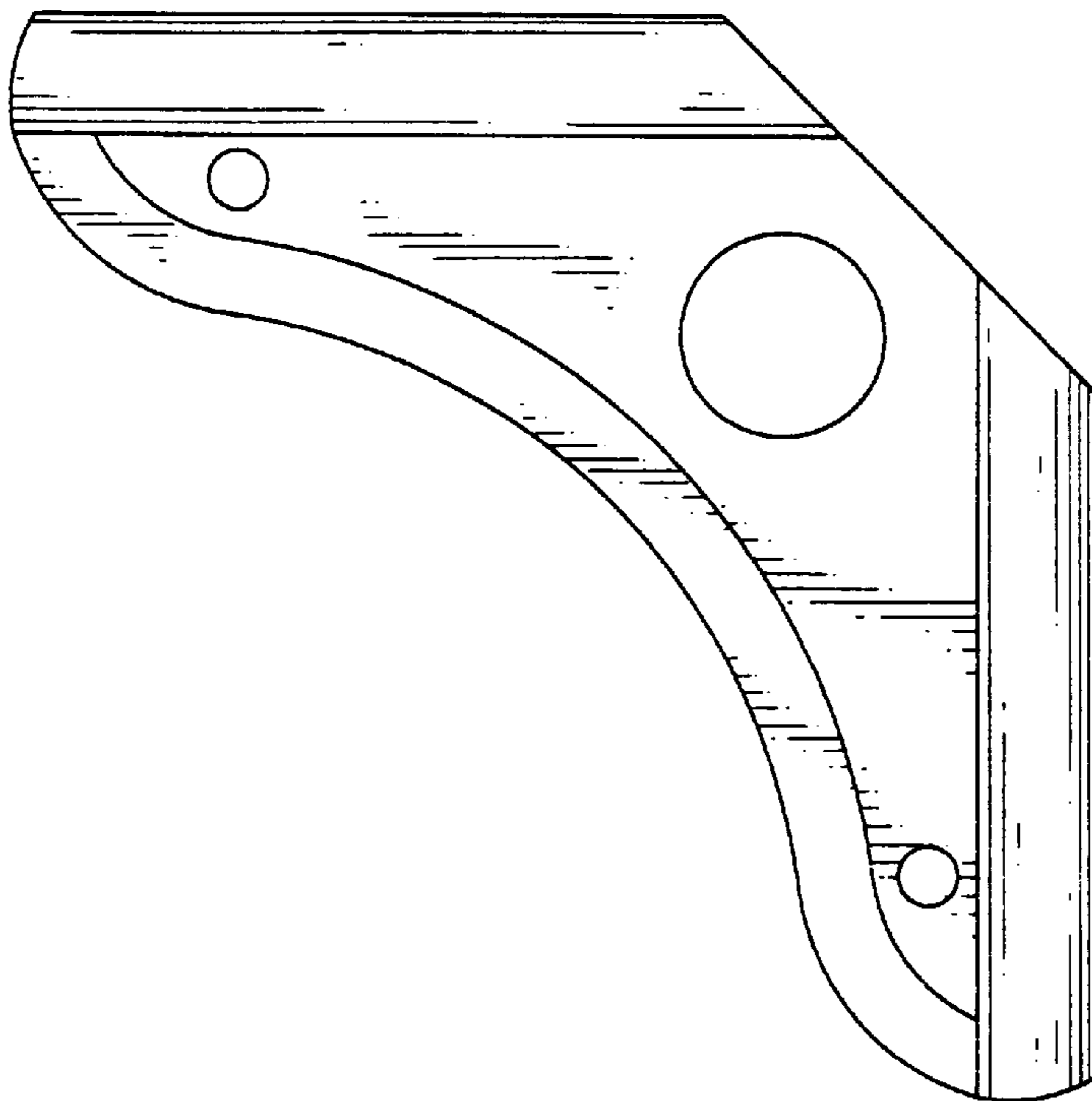


FIG. 7

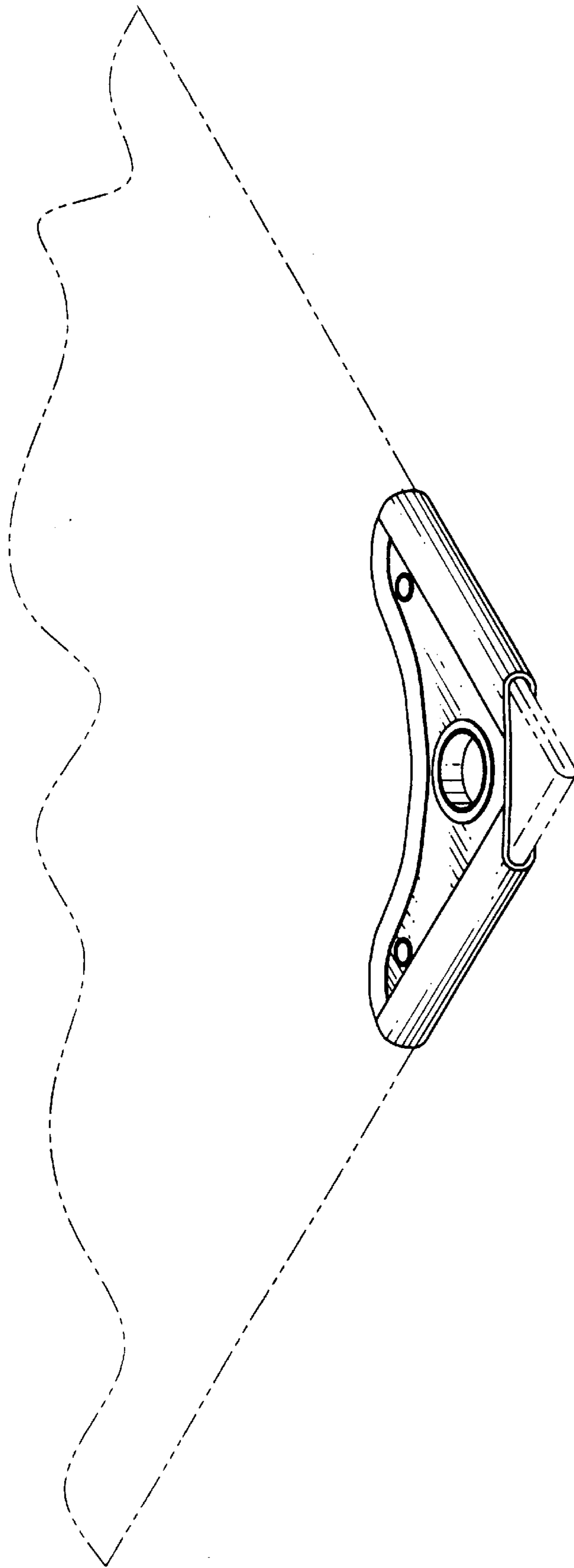


FIG. 8