



US00D415676S

United States Patent [19]

[11] Patent Number: Des. 415,676

Negishi et al.

[45] Date of Patent: ** Oct. 26, 1999

[54] SECURITY SCREW

[75] Inventors: **Shigeo Negishi; Shigeru Kanemaru**, both of Tokyo, Japan

[73] Assignee: **Mampay Screw Works Ltd**, Tokyo, Japan

[**] Term: **14 Years**

[21] Appl. No.: **29/088,587**

[22] Filed: **May 28, 1998**

[30] Foreign Application Priority Data

Dec. 4, 1997 [AU] Australia 3972/97

[51] LOC (6) Cl. **08-08**

[52] U.S. Cl. **D8/387**

[58] Field of Search D8/387; 411/378, 411/411, 166, 178, 184, 188, 911, 427

[56] References Cited

U.S. PATENT DOCUMENTS

D. 285,651	9/1986	Iwats et al.	D8/387
3,498,173	3/1970	Wright	411/403
4,459,074	7/1984	Capuano	411/403

OTHER PUBLICATIONS

Central Screw company, p. 90, screws, Jul. 1948.

Primary Examiner—Holly Baynham

Attorney, Agent, or Firm—Dennison, Meserole, Scheiner & Schultz

[57] CLAIM

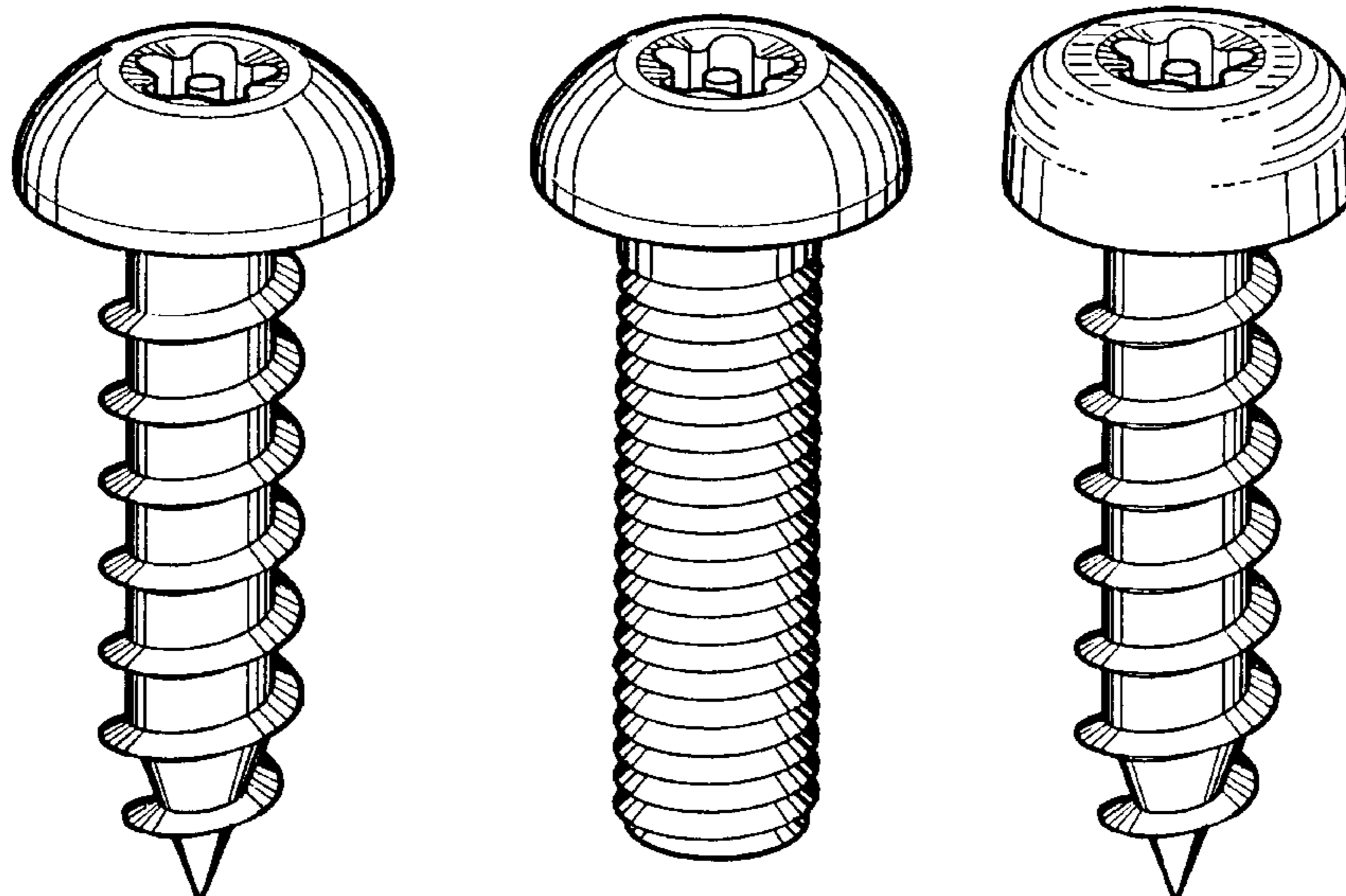
The ornamental design for a security screw, as shown and described.

DESCRIPTION

FIG. 1 is a perspective view of a first screw in accordance with the new design;

FIG. 2 is a top view;
 FIG. 3 is a side view;
 FIG. 4 is a sectional view along line 4—4 of FIG. 3;
 FIG. 5 is a perspective view of a second screw in accordance with the new design;
 FIG. 6 is a top view;
 FIG. 7 is a side view;
 FIG. 8 is a sectional view along line 8—8 of FIG. 7;
 FIG. 9 is a perspective view of a third screw in accordance with the new design;
 FIG. 10 is a top view;
 FIG. 11 is a side view;
 FIG. 12 is a sectional view along line 12—12 of FIG. 11;
 FIG. 13 is a perspective view of a fourth screw in accordance with the new design;
 FIG. 14 is a top view;
 FIG. 15 is a side view;
 FIG. 16 is a sectional view along line 16—16 of FIG. 15;
 FIG. 17 is a perspective view of a fifth screw in accordance with the new design;
 FIG. 18 is a top view;
 FIG. 19 is a side view;
 FIG. 20 is a sectional view along line 20—20 of FIG. 19;
 FIG. 21 is a perspective view of a sixth screw in accordance with the new design;
 FIG. 22 is a top view;
 FIG. 23 is a side view;
 FIG. 24 is a sectional view along line 24—24 of FIG. 23;
 FIG. 25 is a perspective view of a seventh screw in accordance with the new design;
 FIG. 26 is a top view;
 FIG. 27 is a side view;
 FIG. 28 is a sectional view along line 28—28 of FIG. 27;
 FIG. 29 is a perspective view of an eighth screw in accordance with the new design;
 FIG. 30 is a top view;
 FIG. 31 is a side view; and,
 FIG. 32 is a sectional view along line 32—32 of FIG. 31.

1 Claim, 8 Drawing Sheets



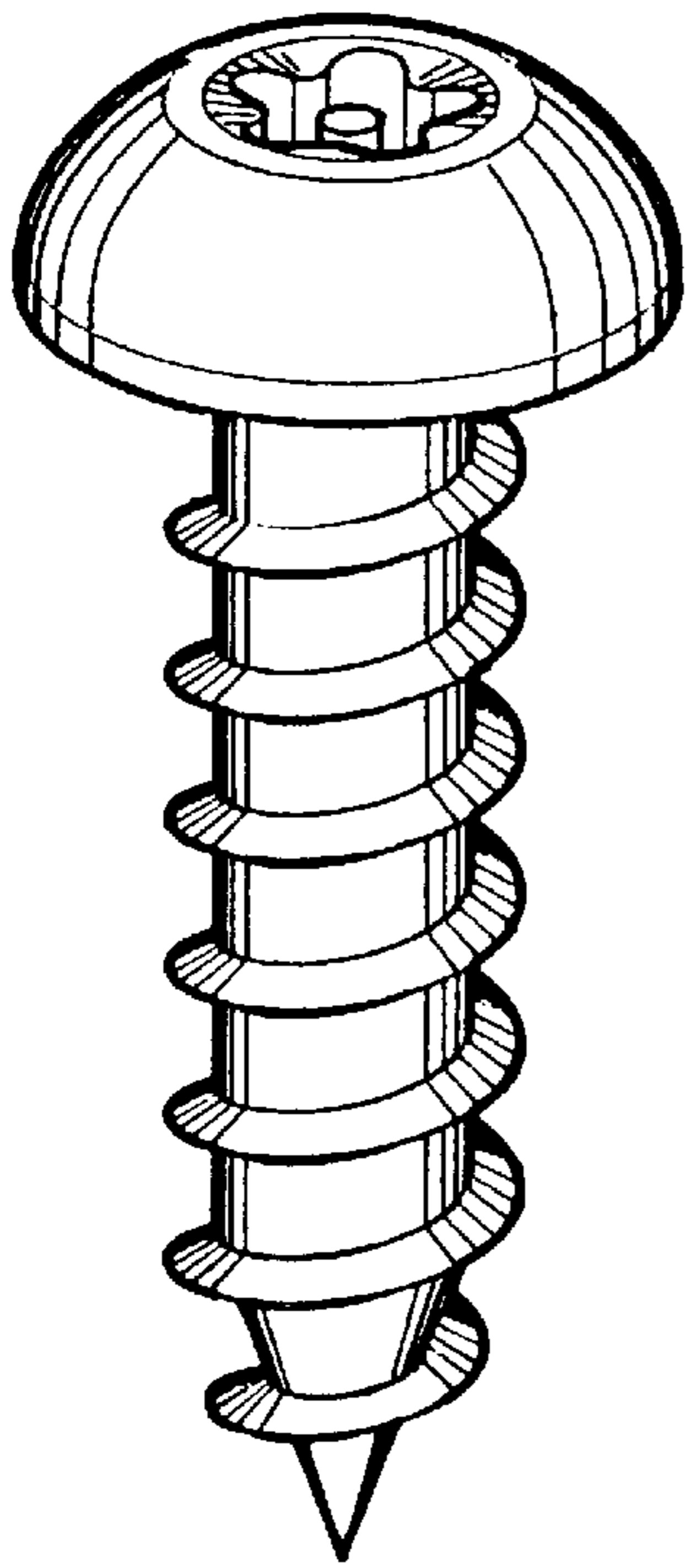


FIG. 1.

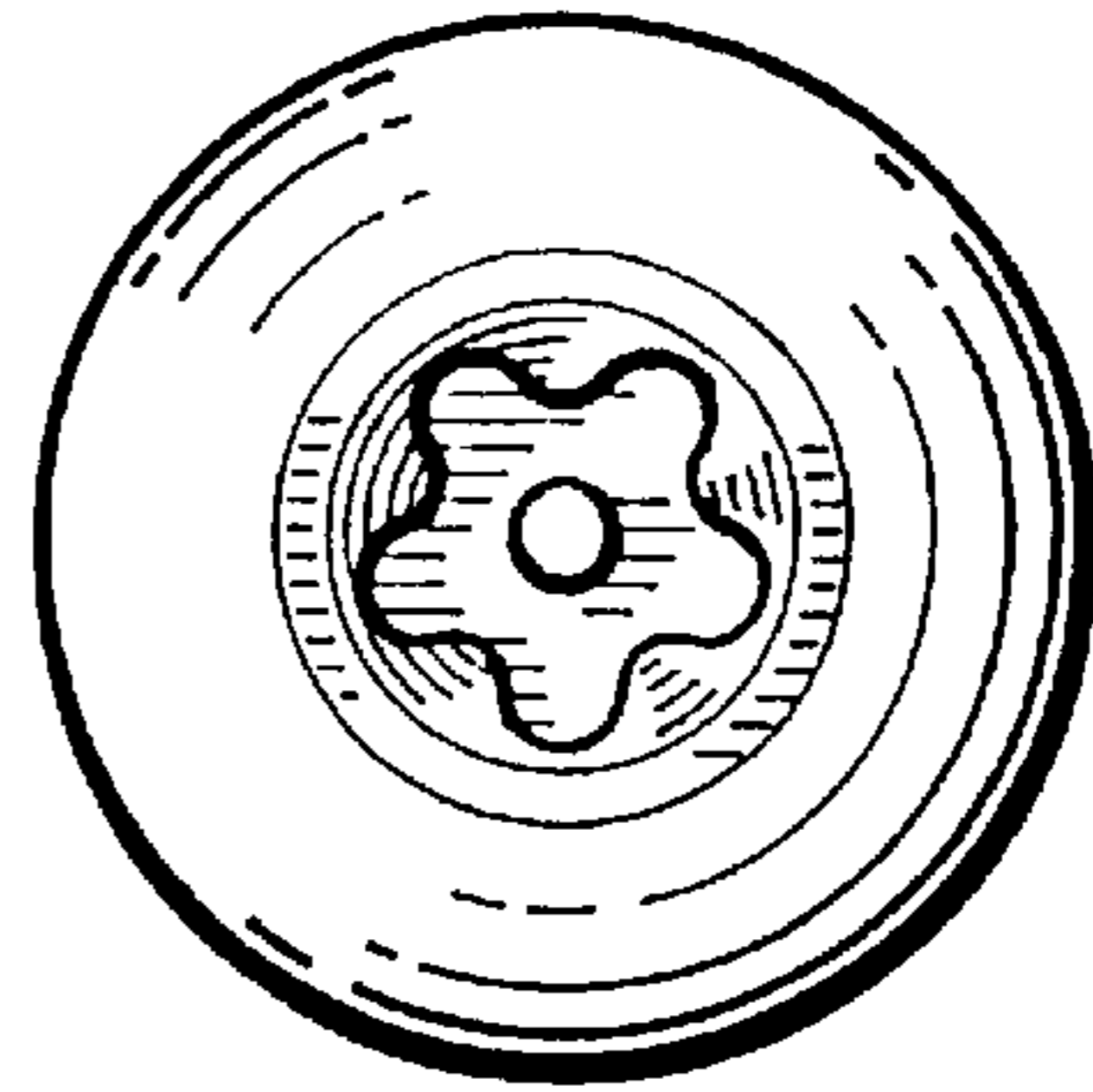


FIG. 2.

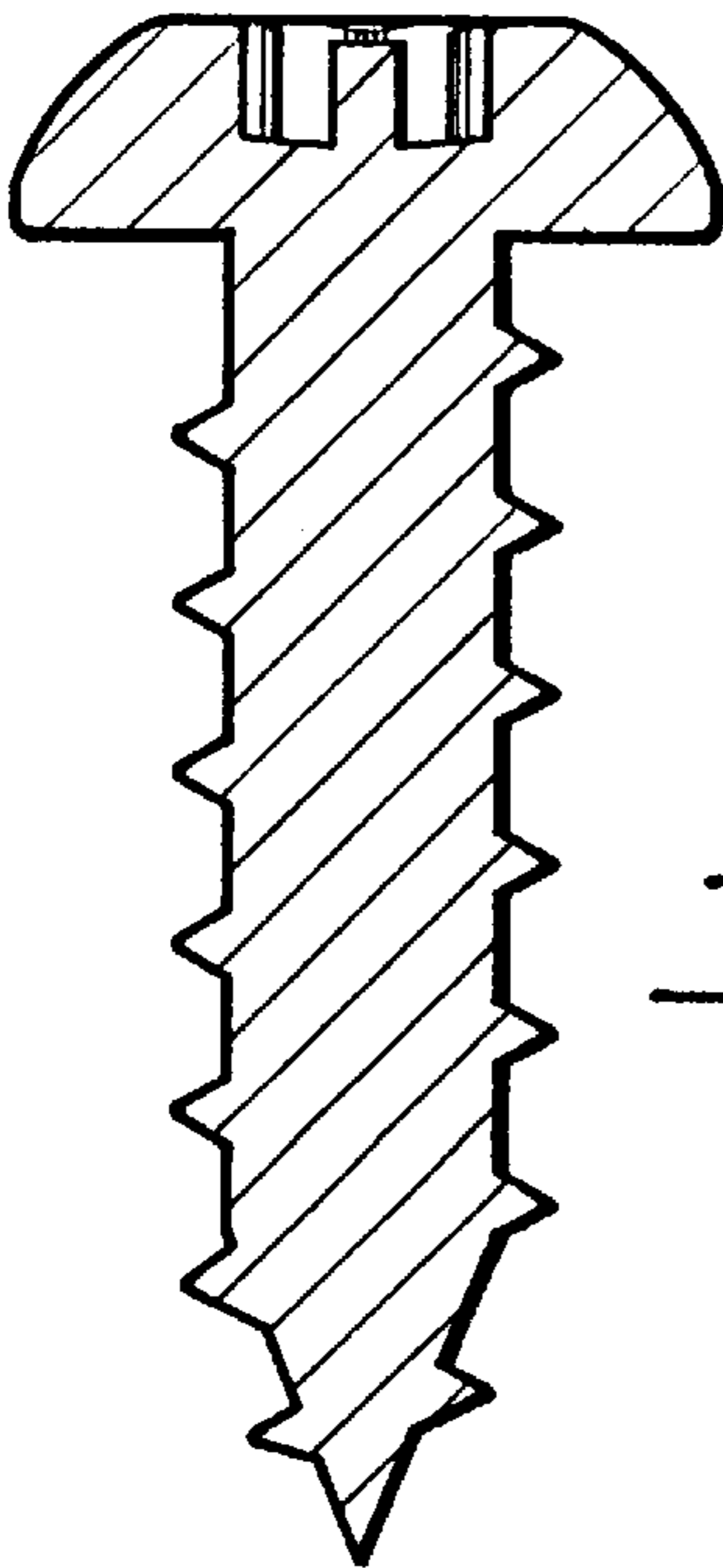


FIG. 4.

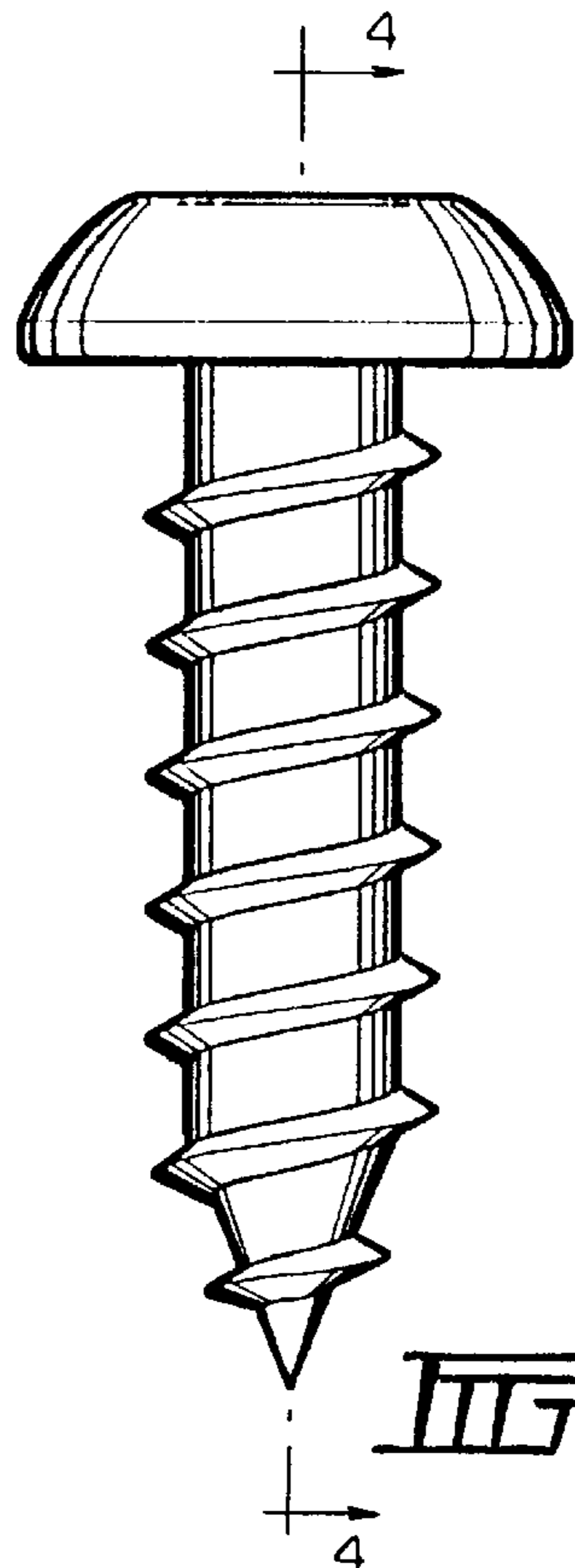


FIG. 3.

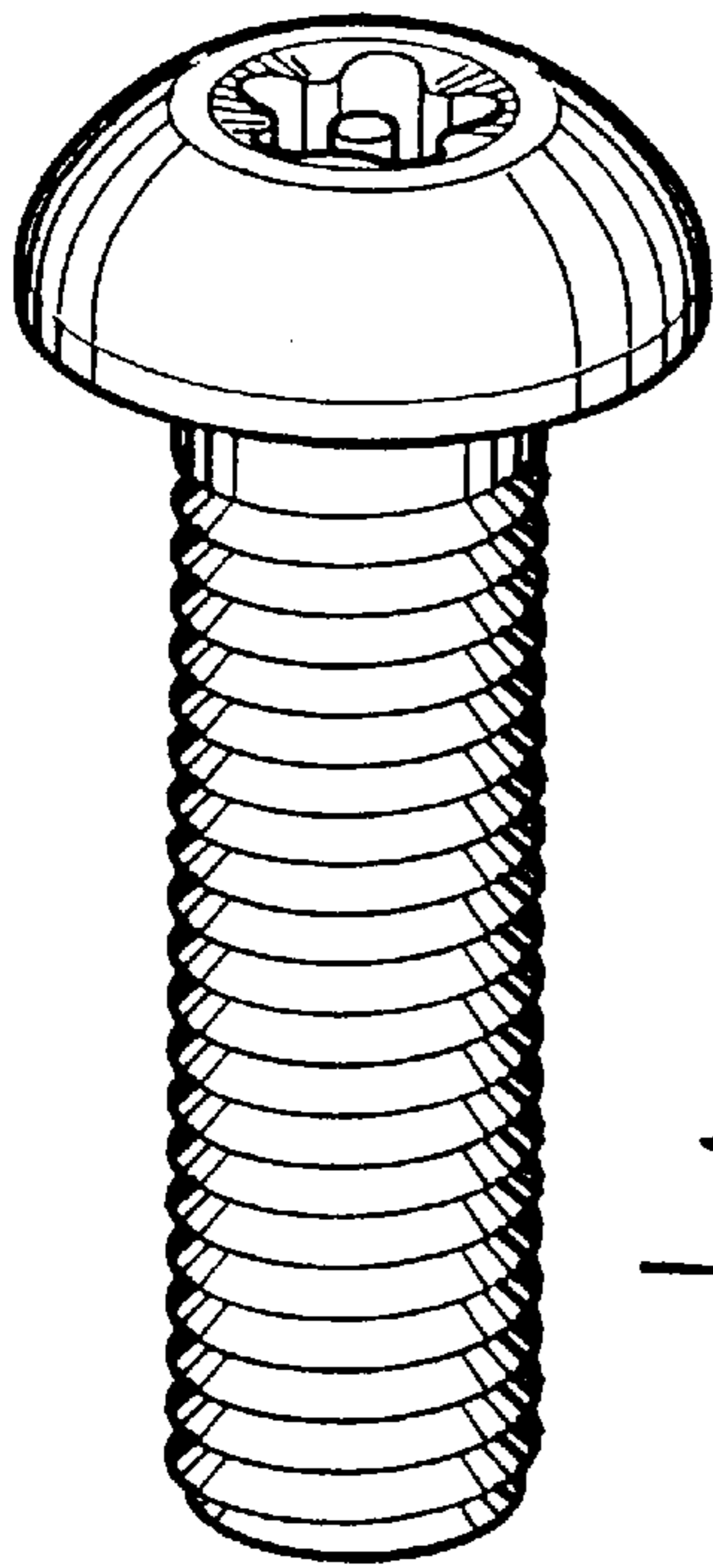


FIG. 5.

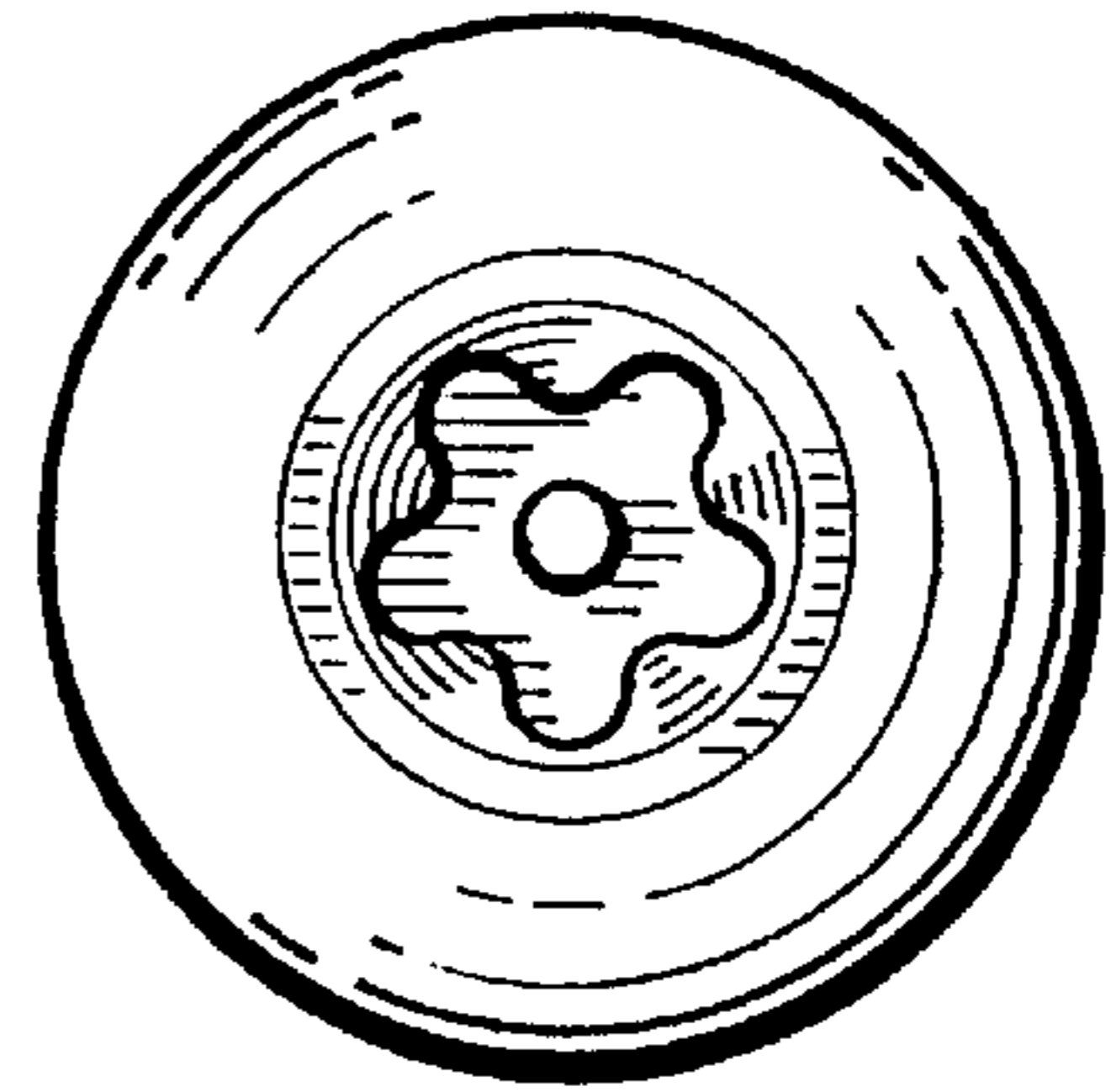


FIG. 6.

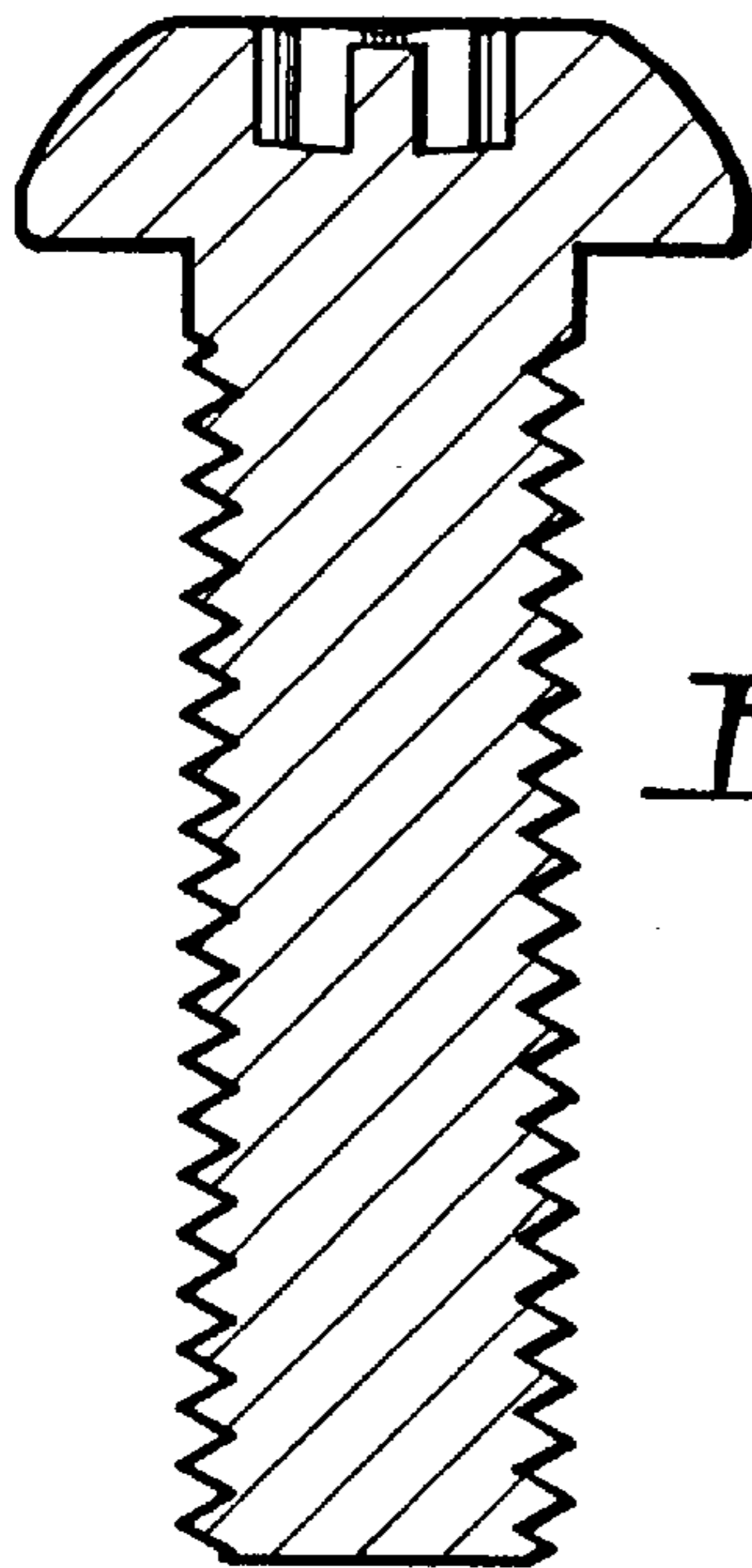


FIG. 8.

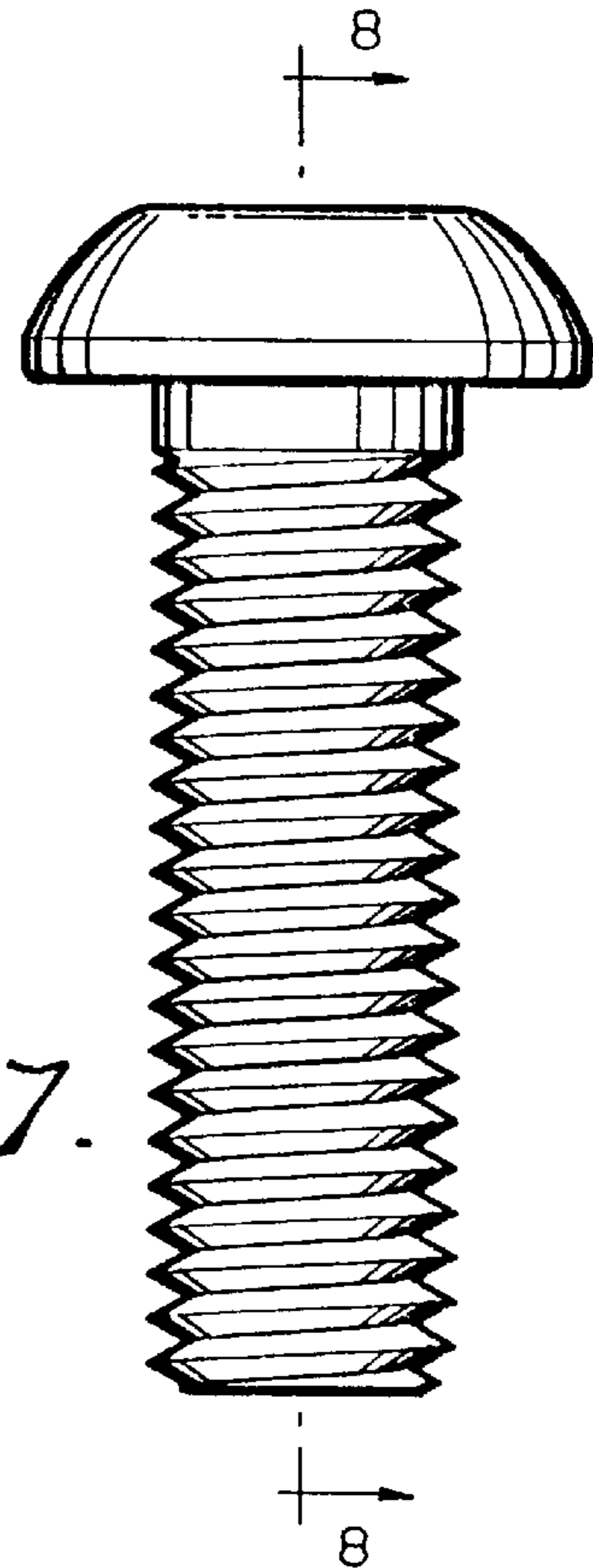


FIG. 7.

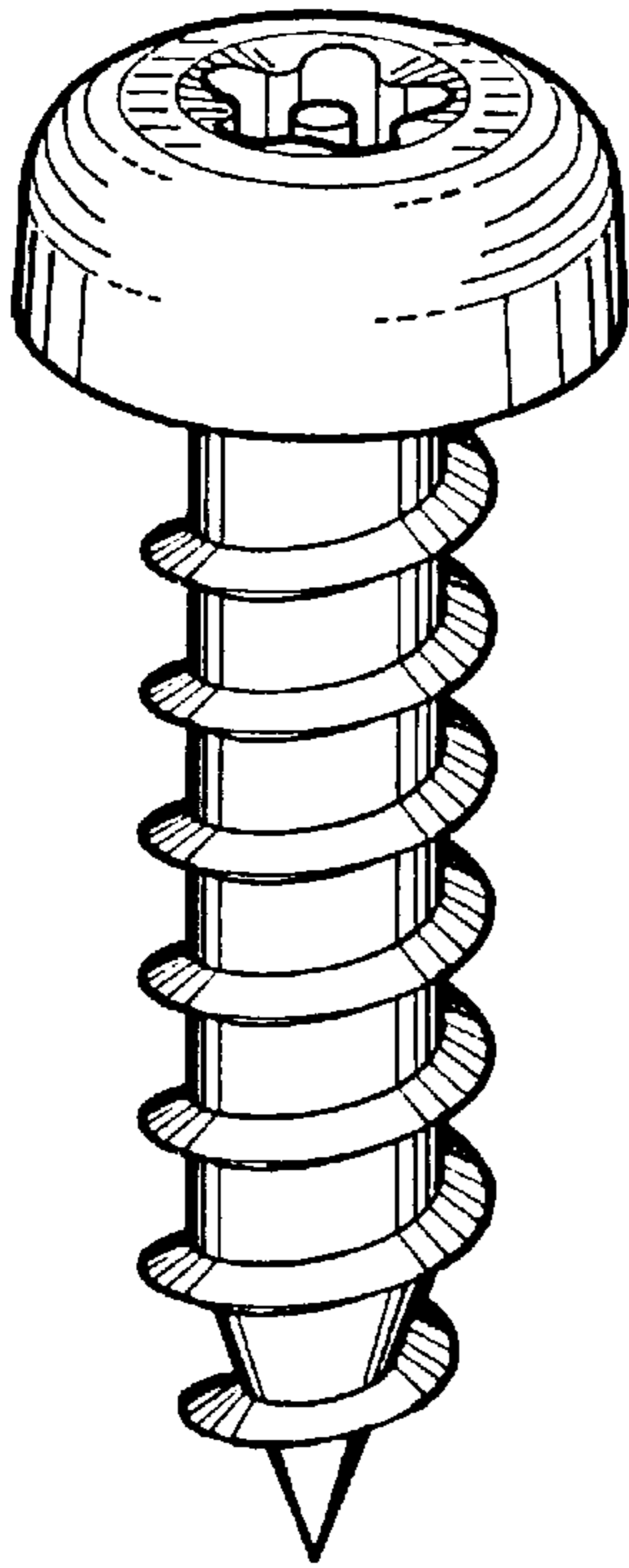


FIG. 9.

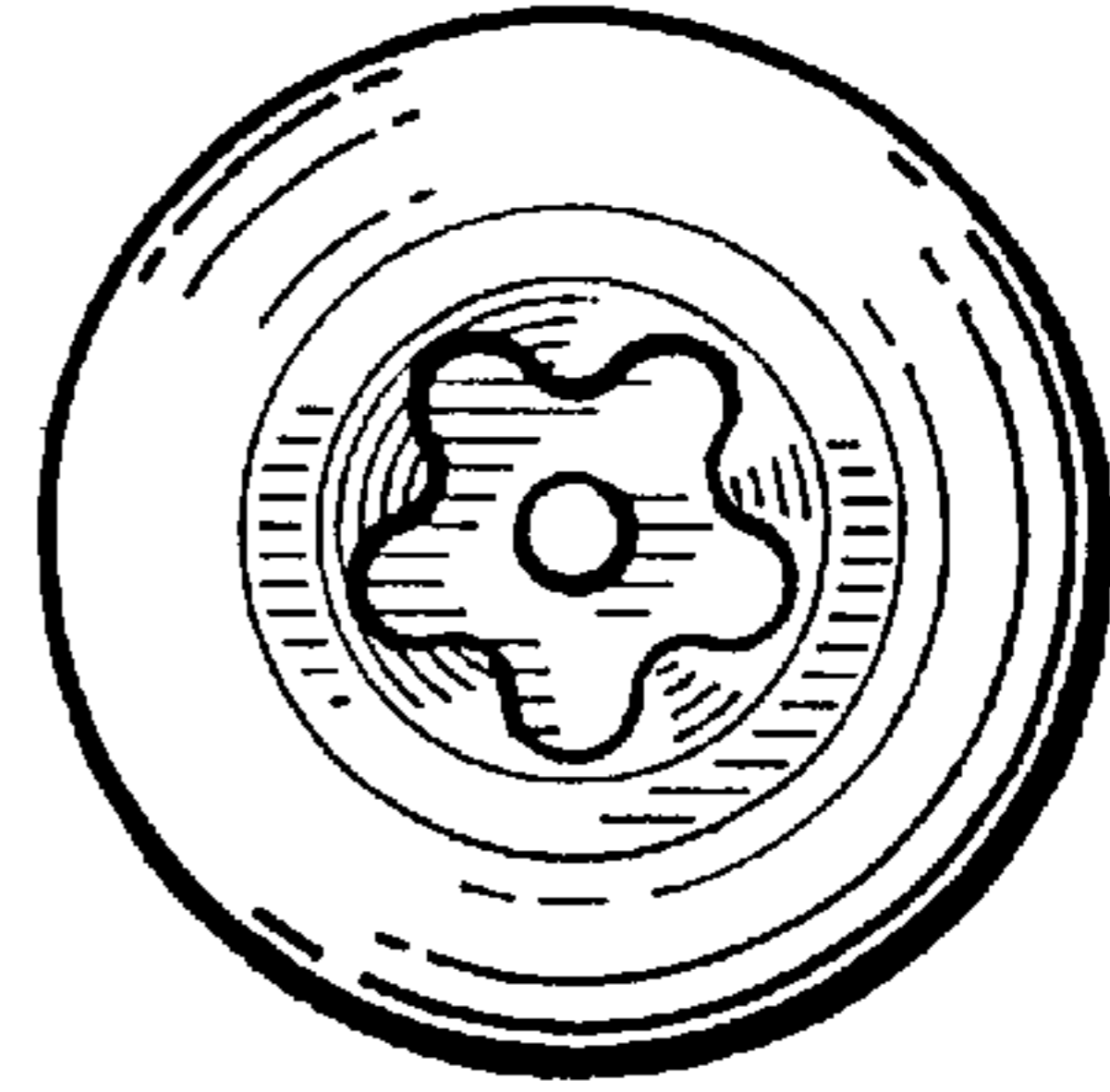


FIG. 10.

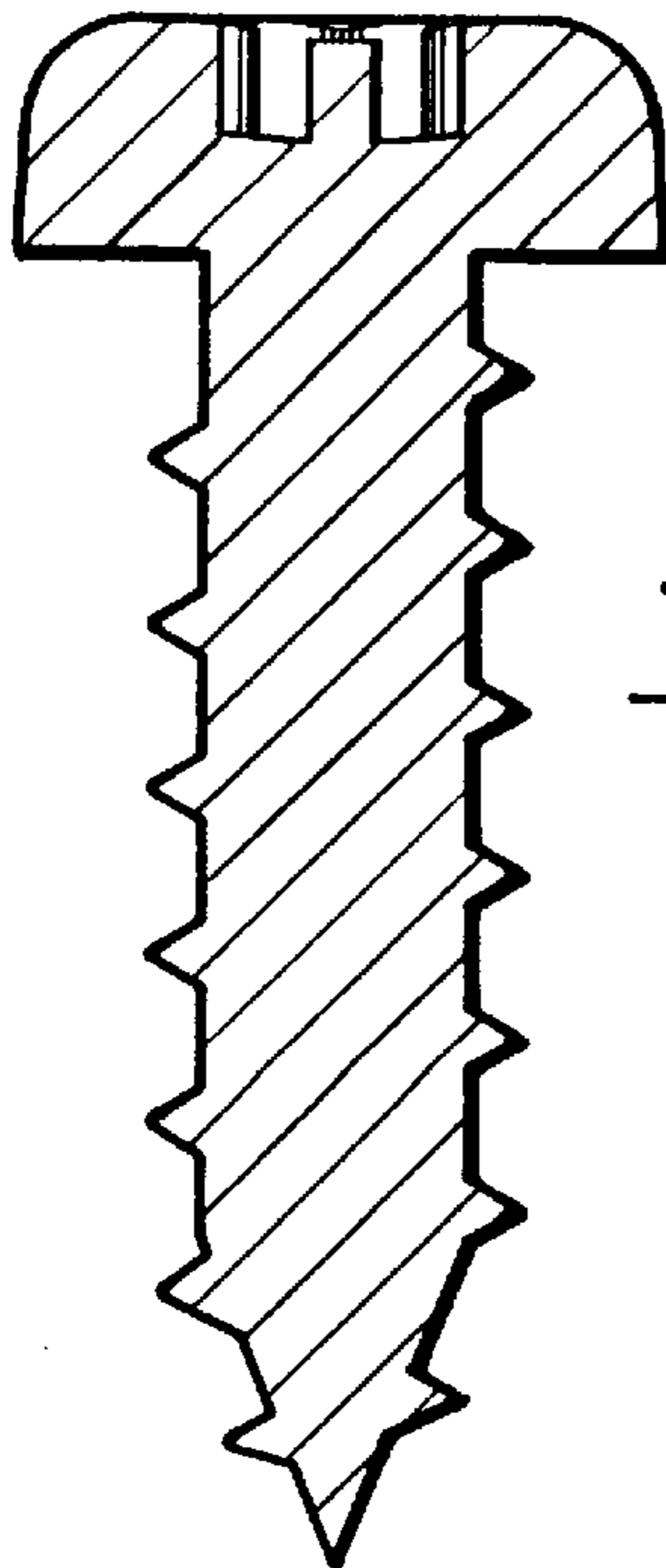


FIG. 12.

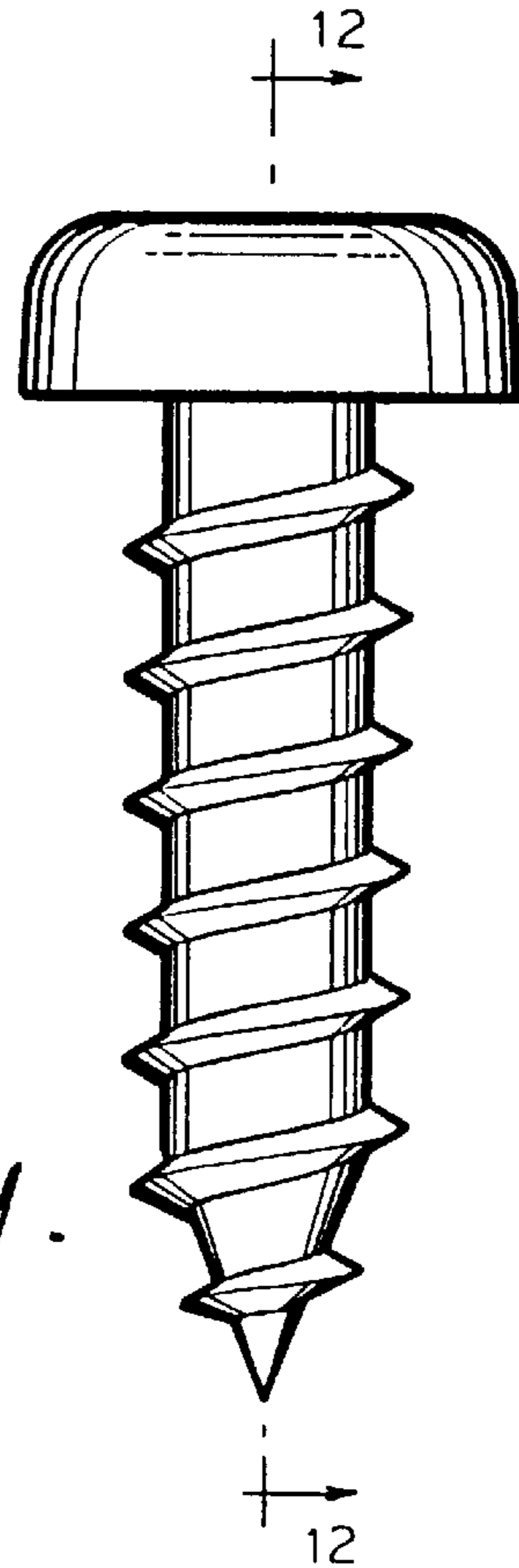


FIG. 11.

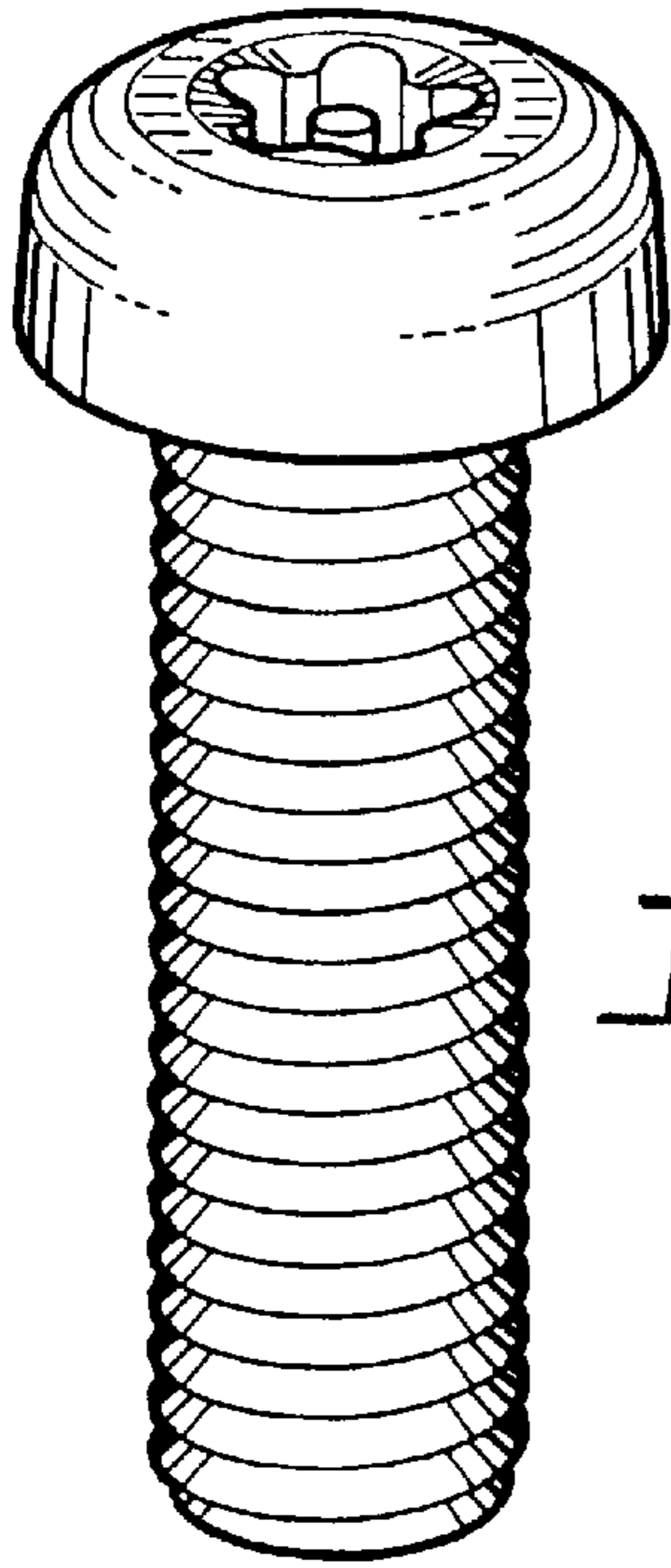


FIG. 13.

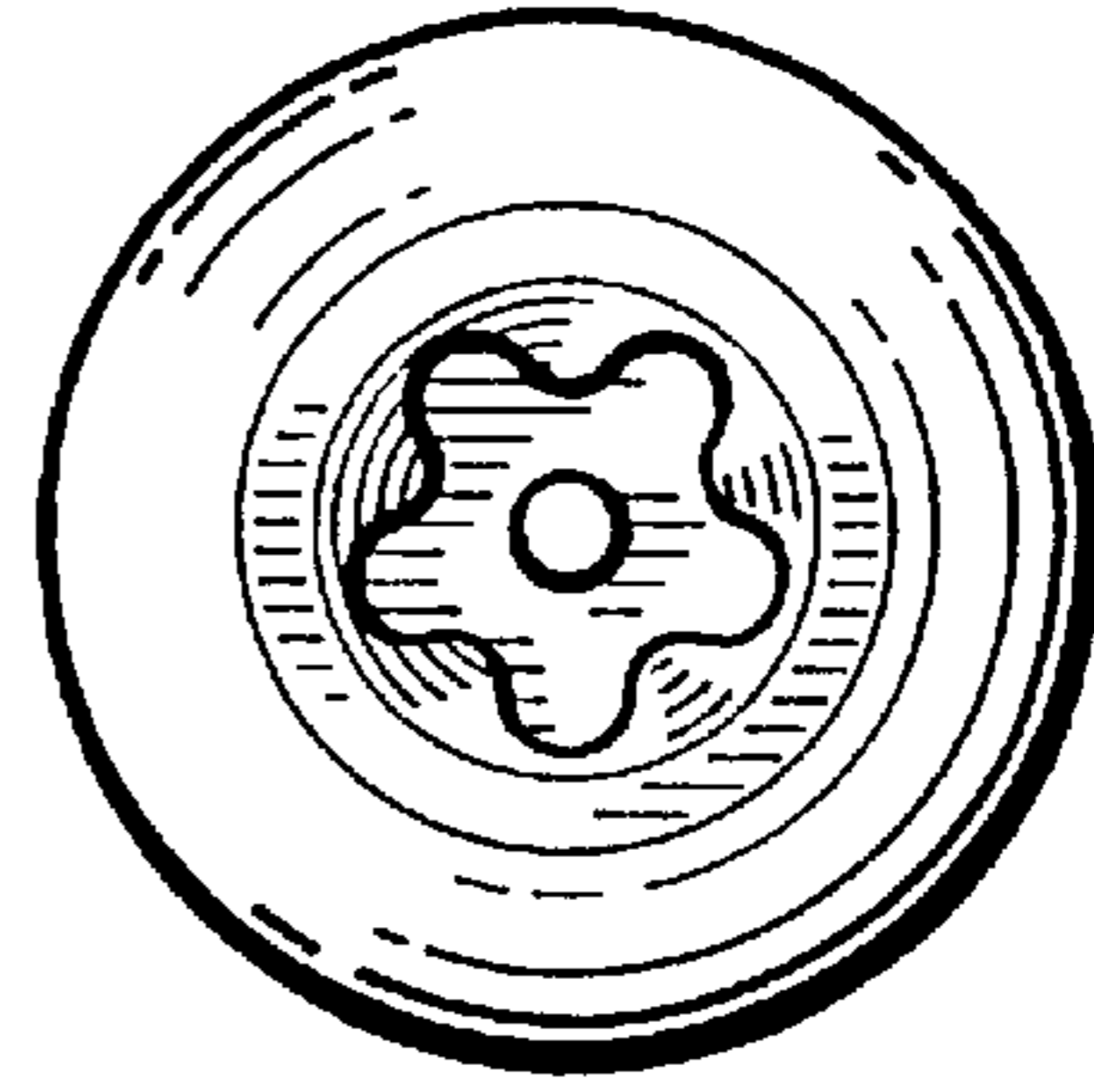


FIG. 14.

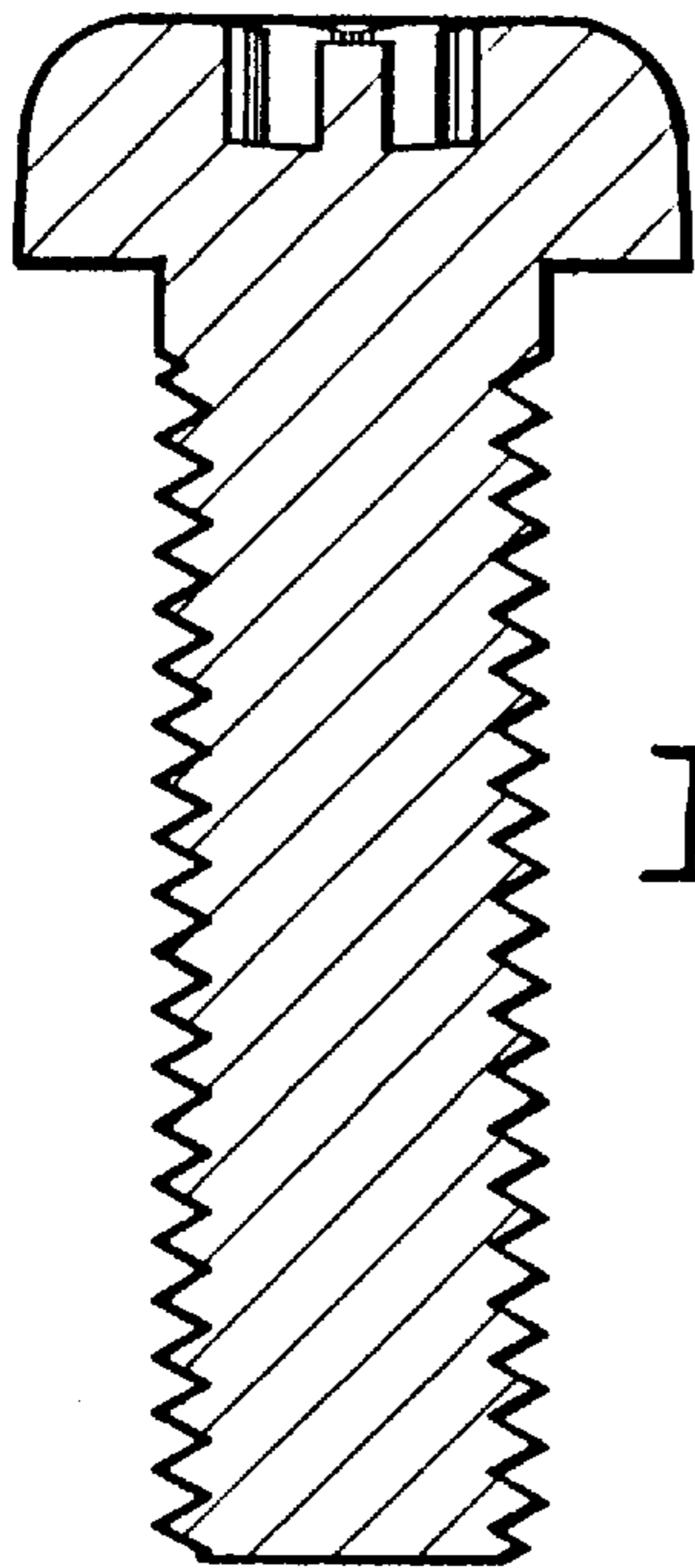


FIG. 16.

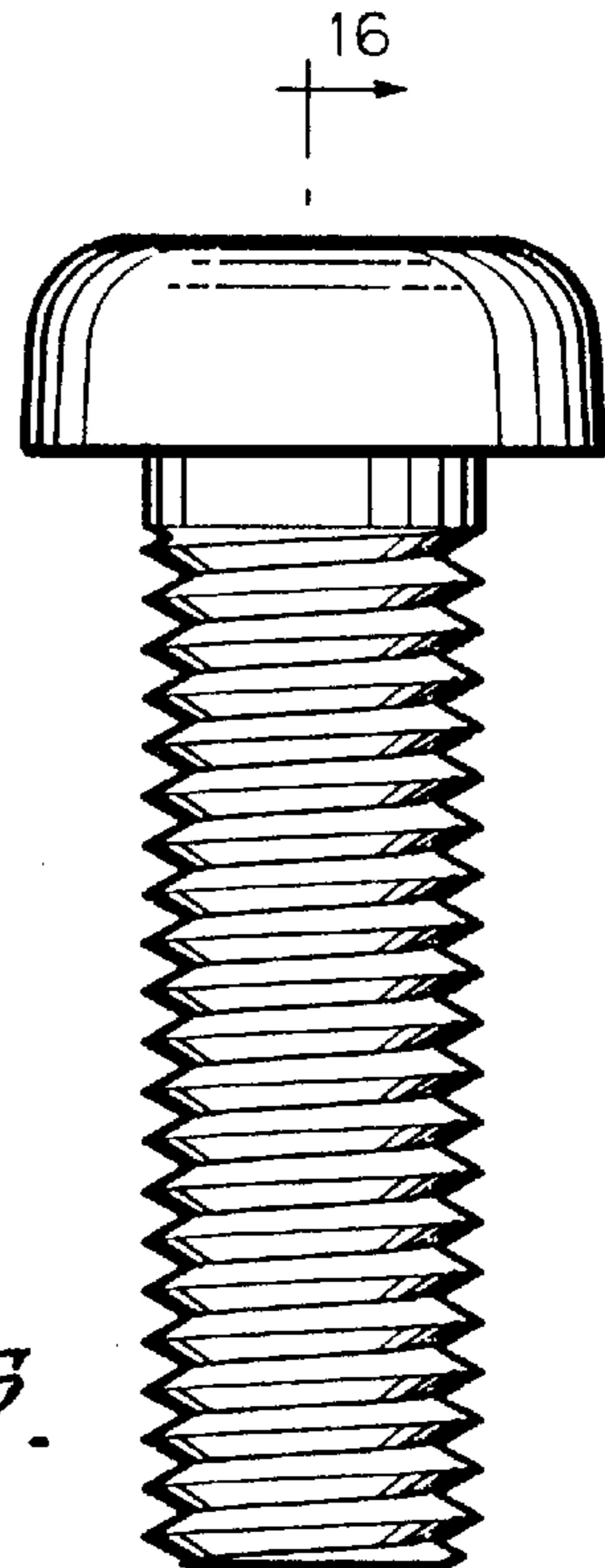
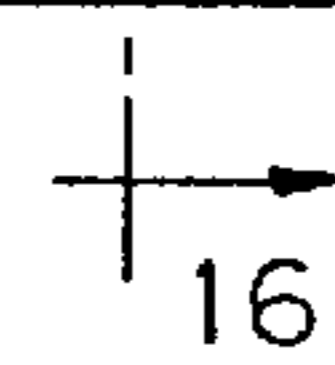


FIG. 15.



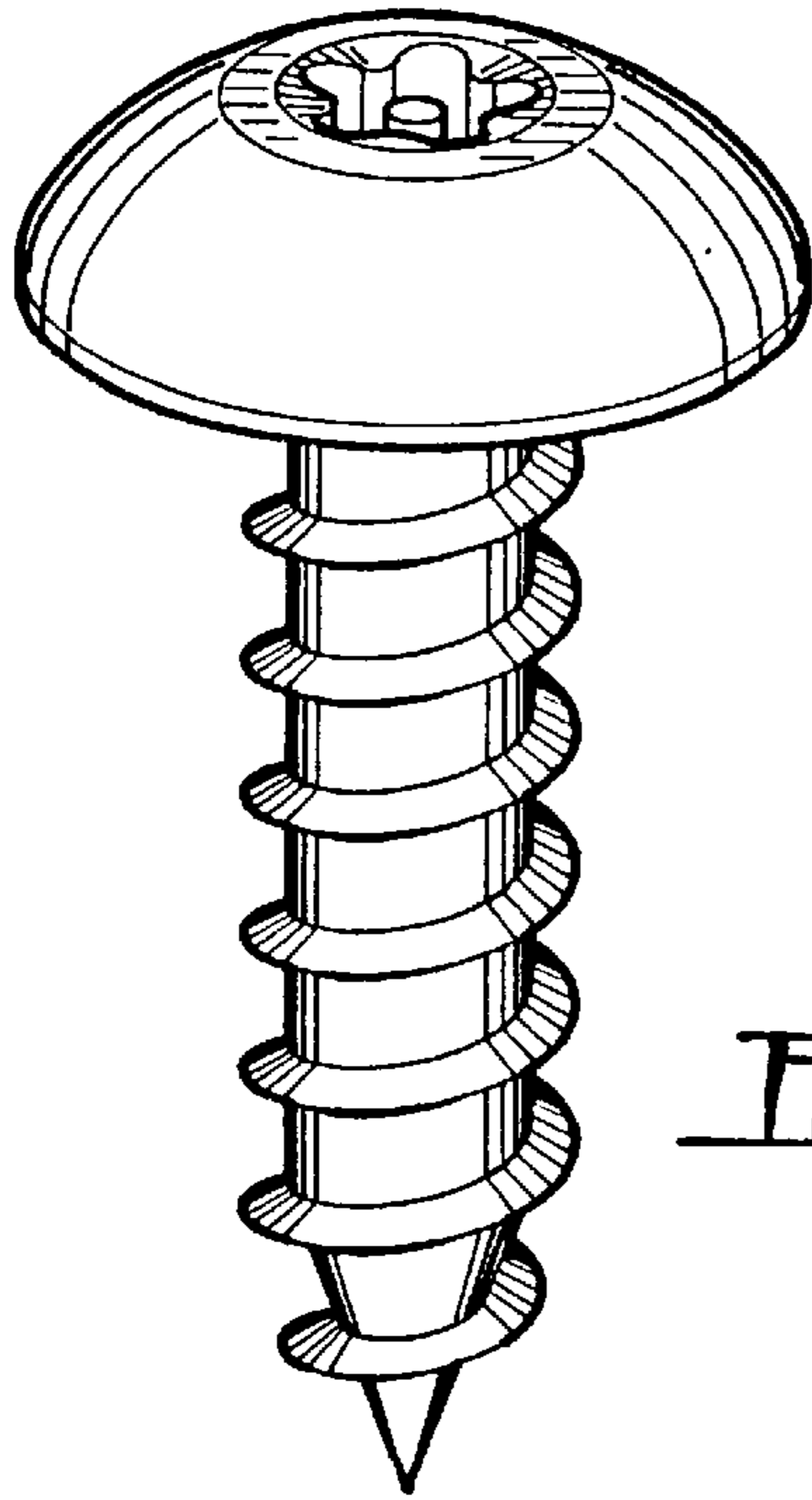


FIG. 17.

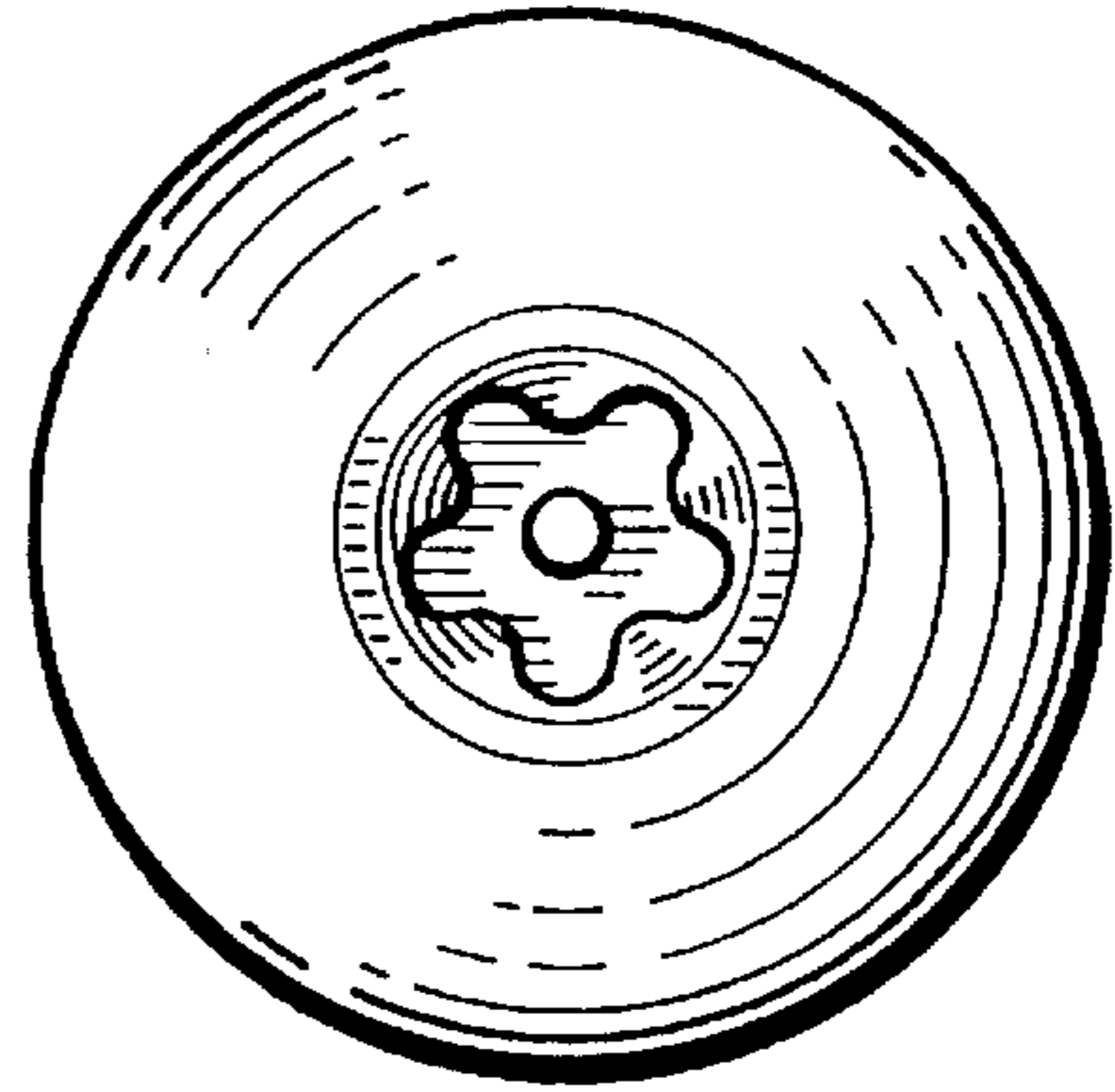


FIG. 18.

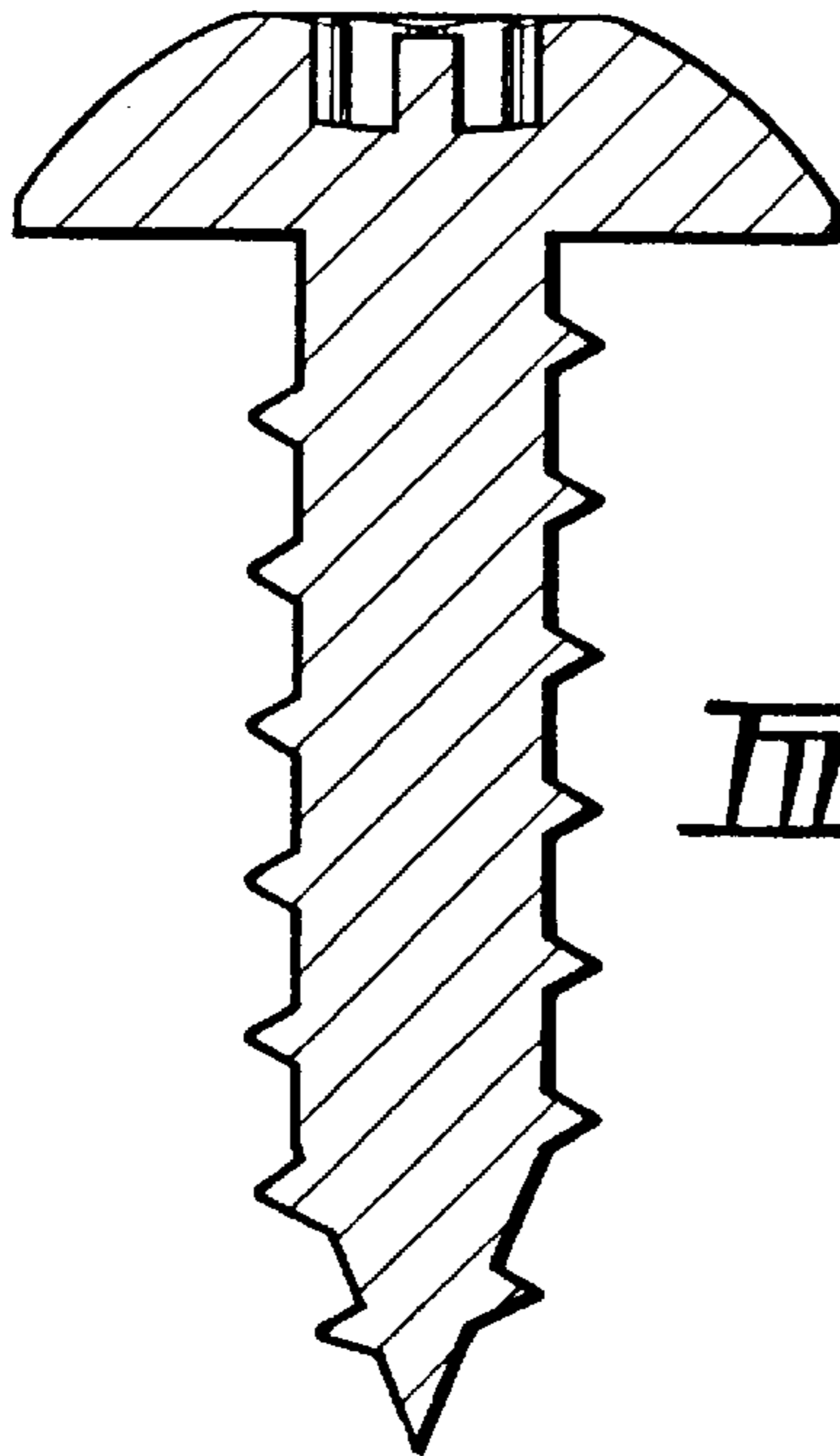


FIG. 20.

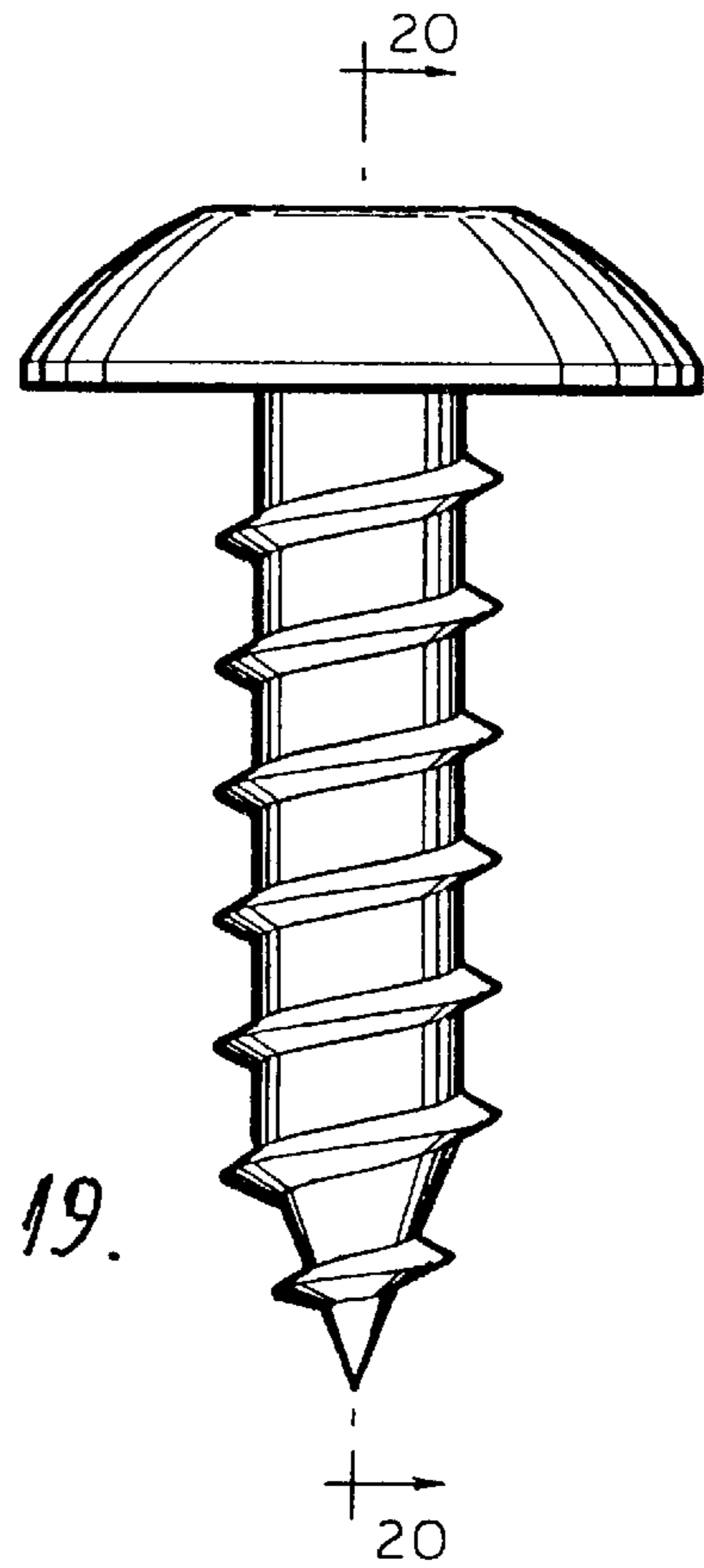


FIG. 19.

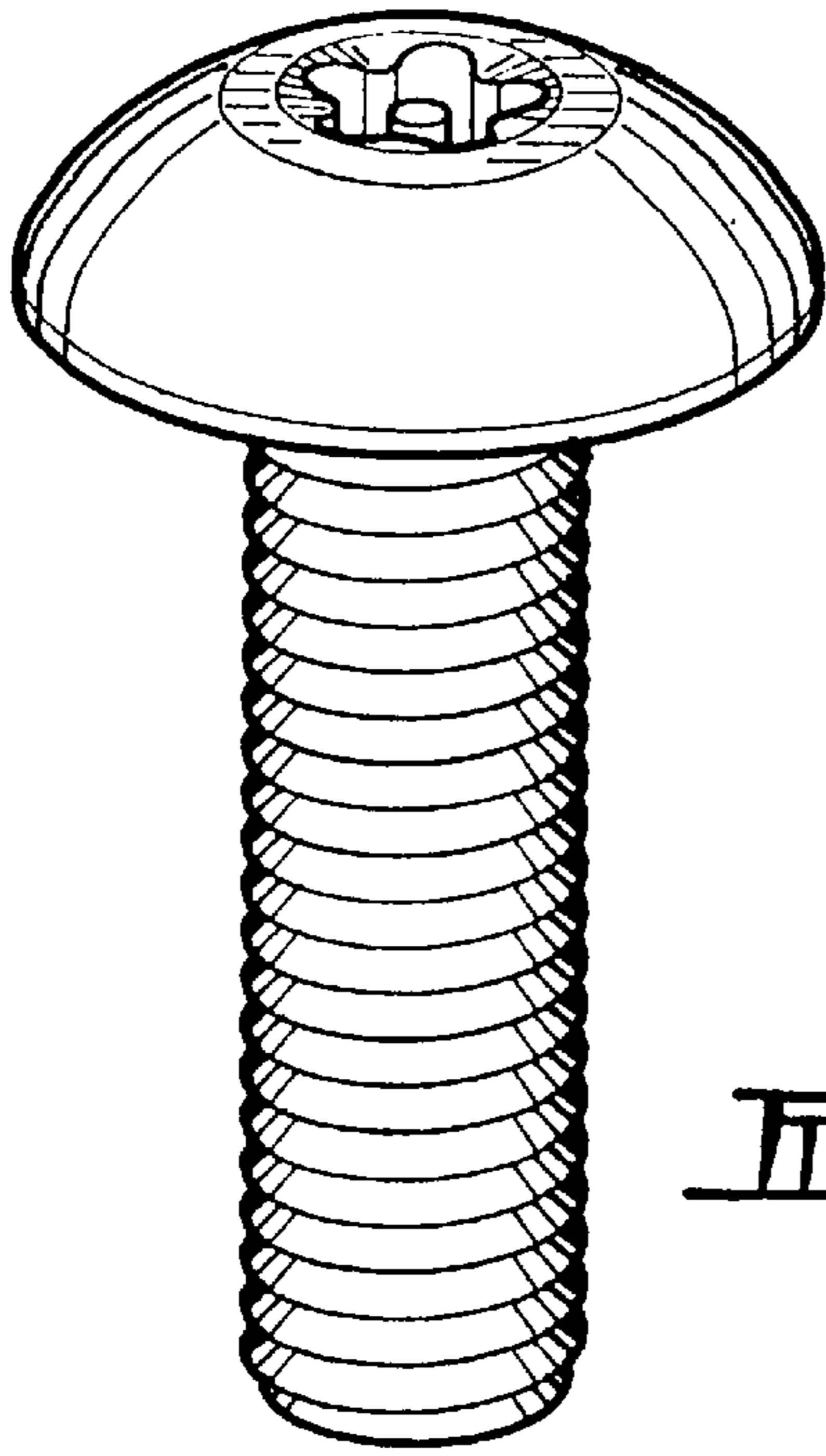


FIG. 21.

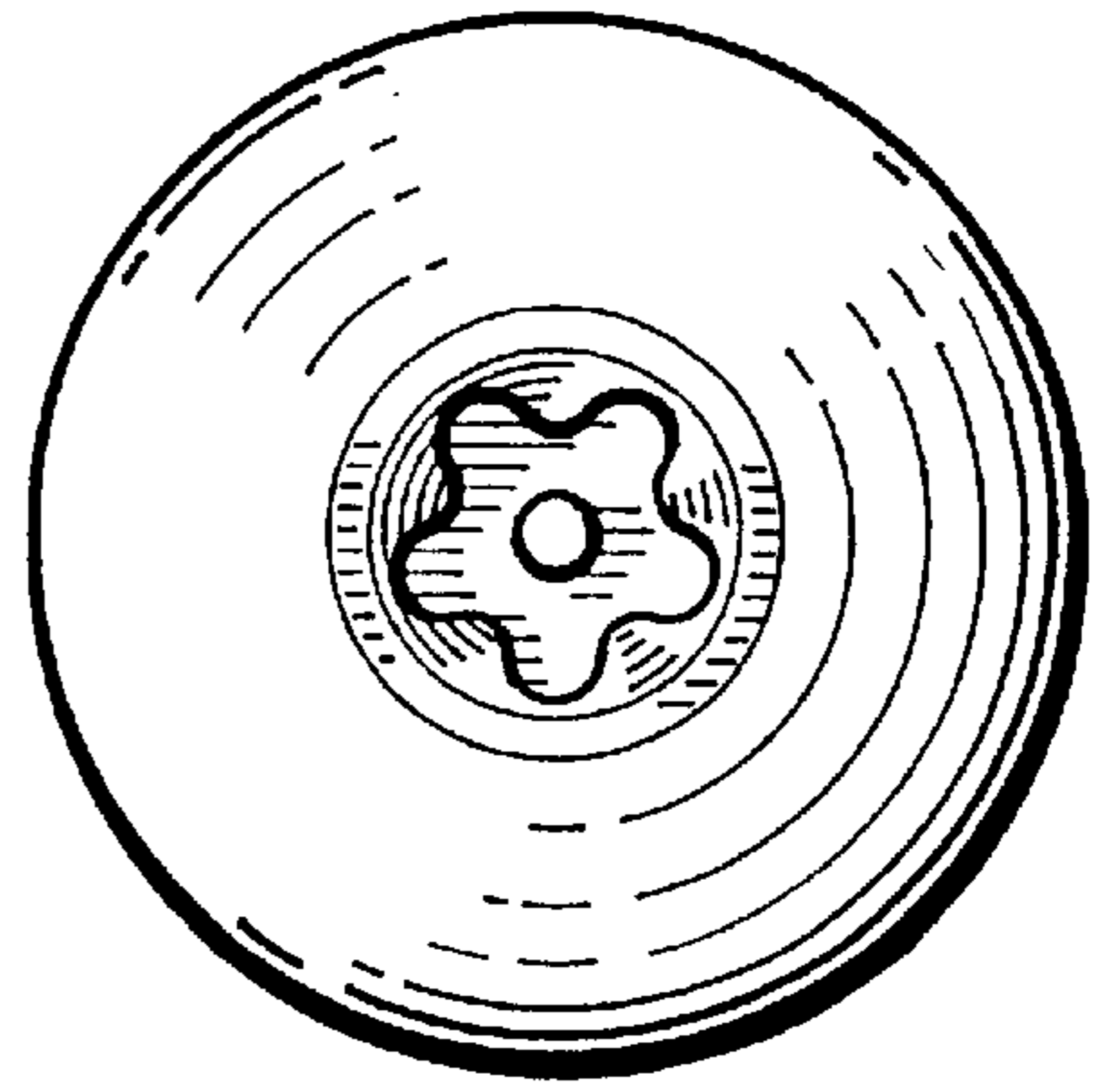


FIG. 22.

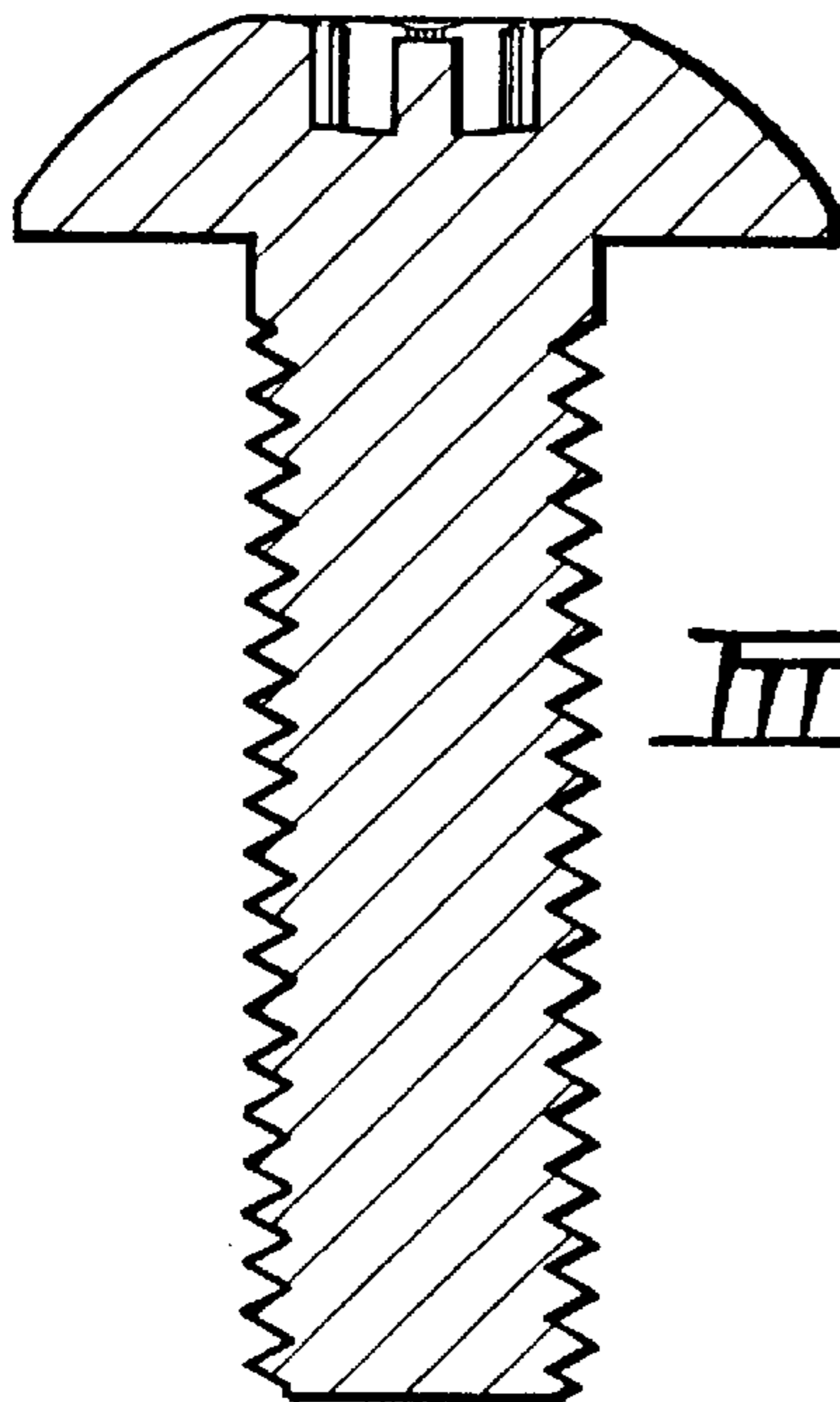


FIG. 24.

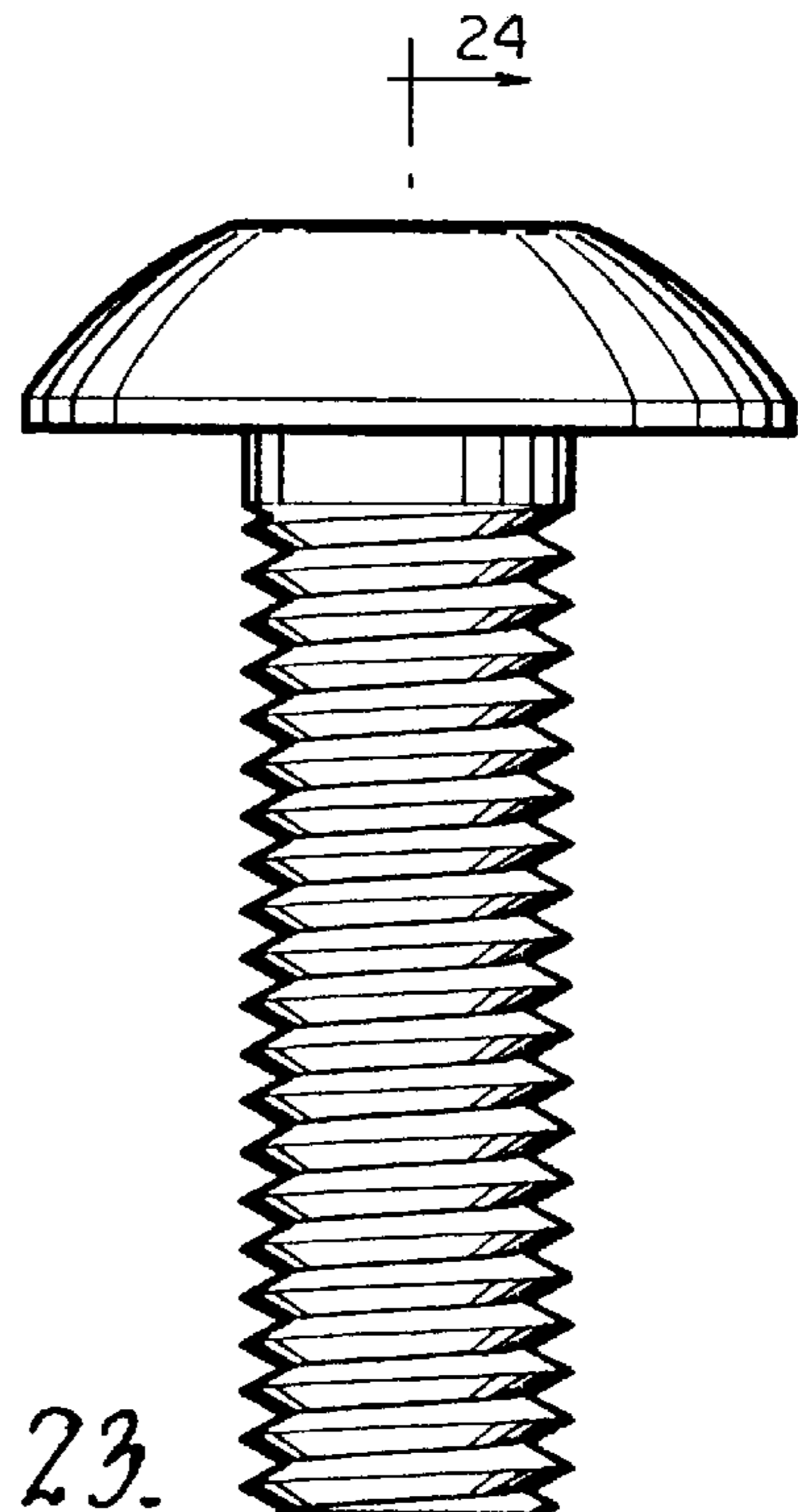


FIG. 23.

24

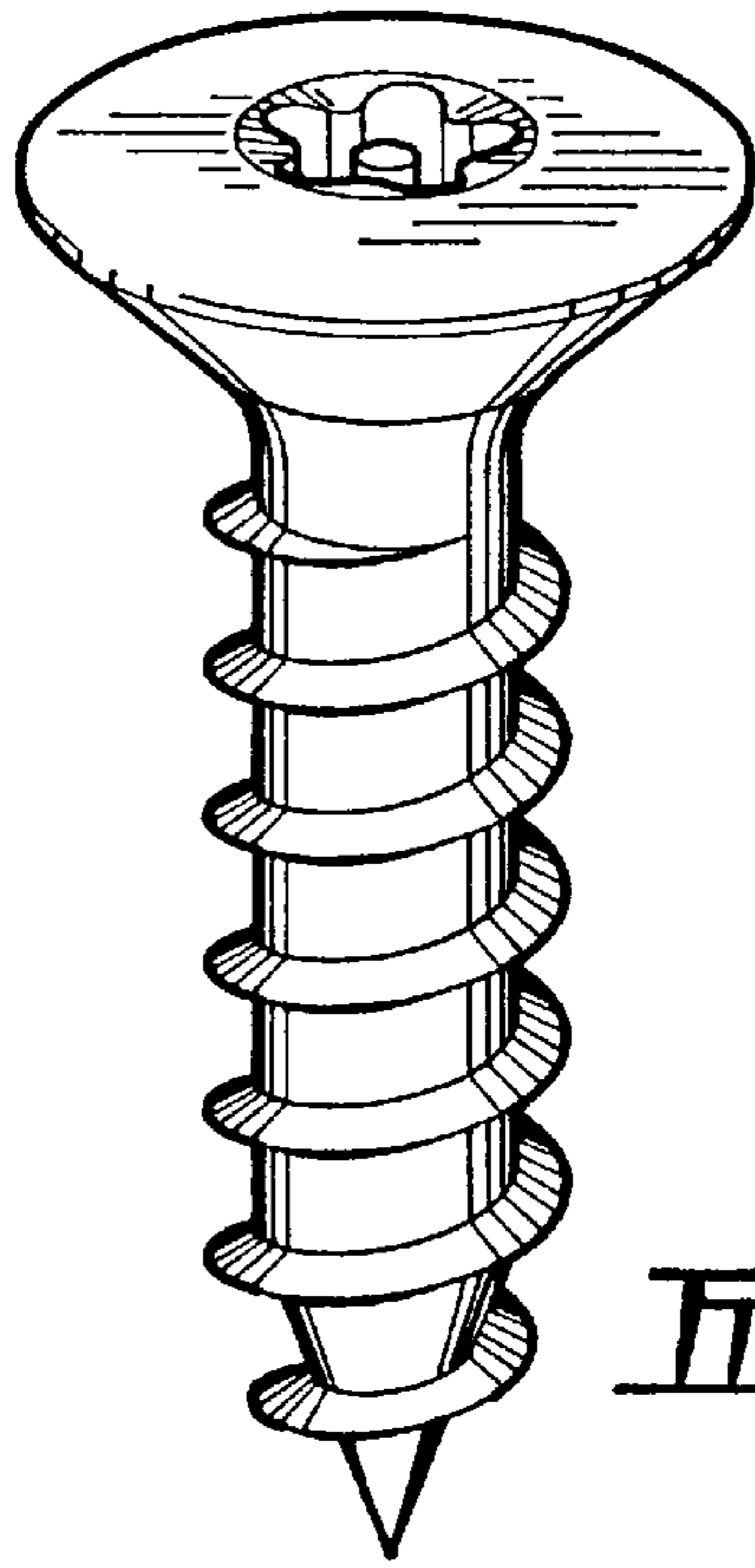


FIG. 25.

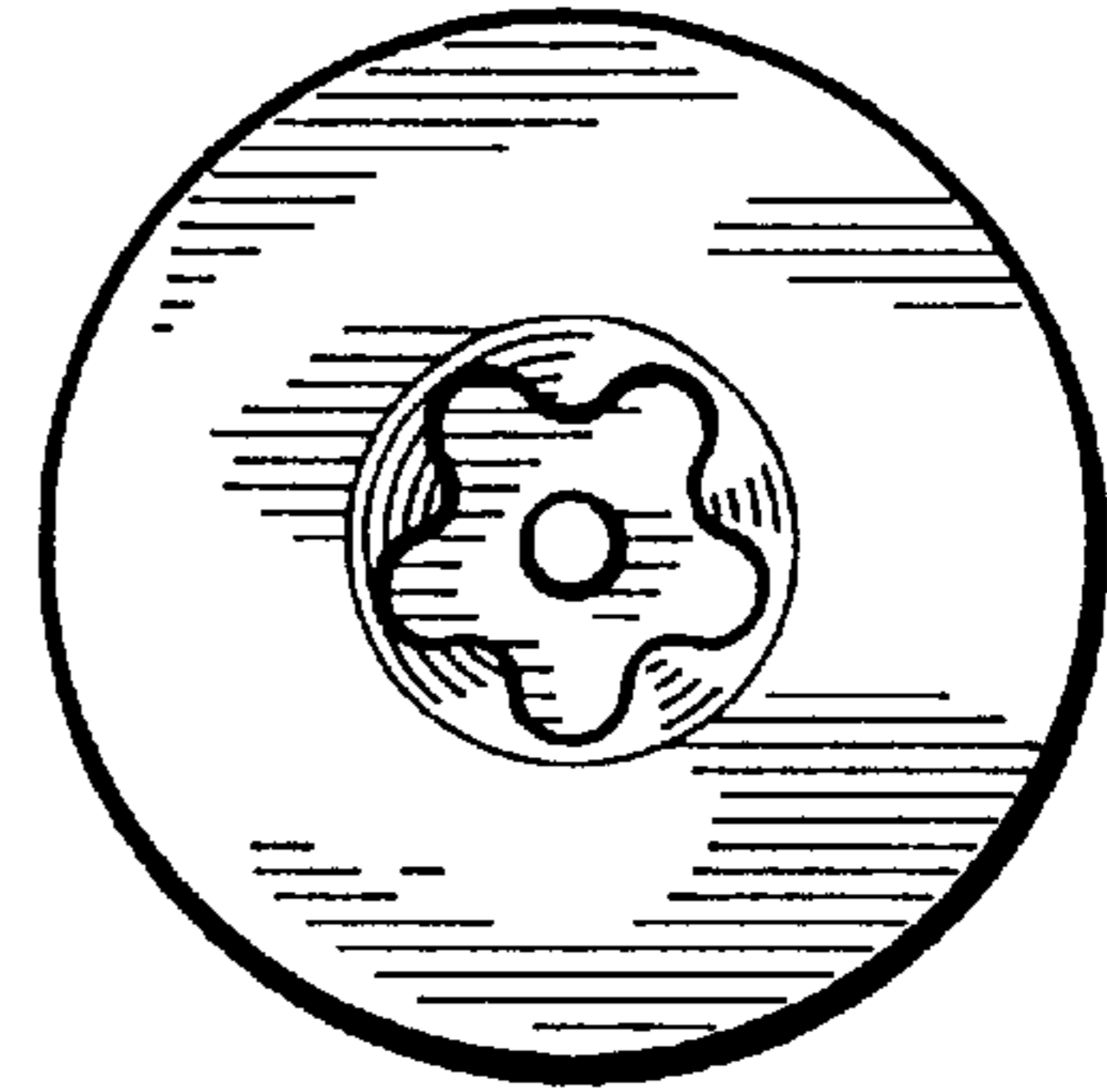


FIG. 26.

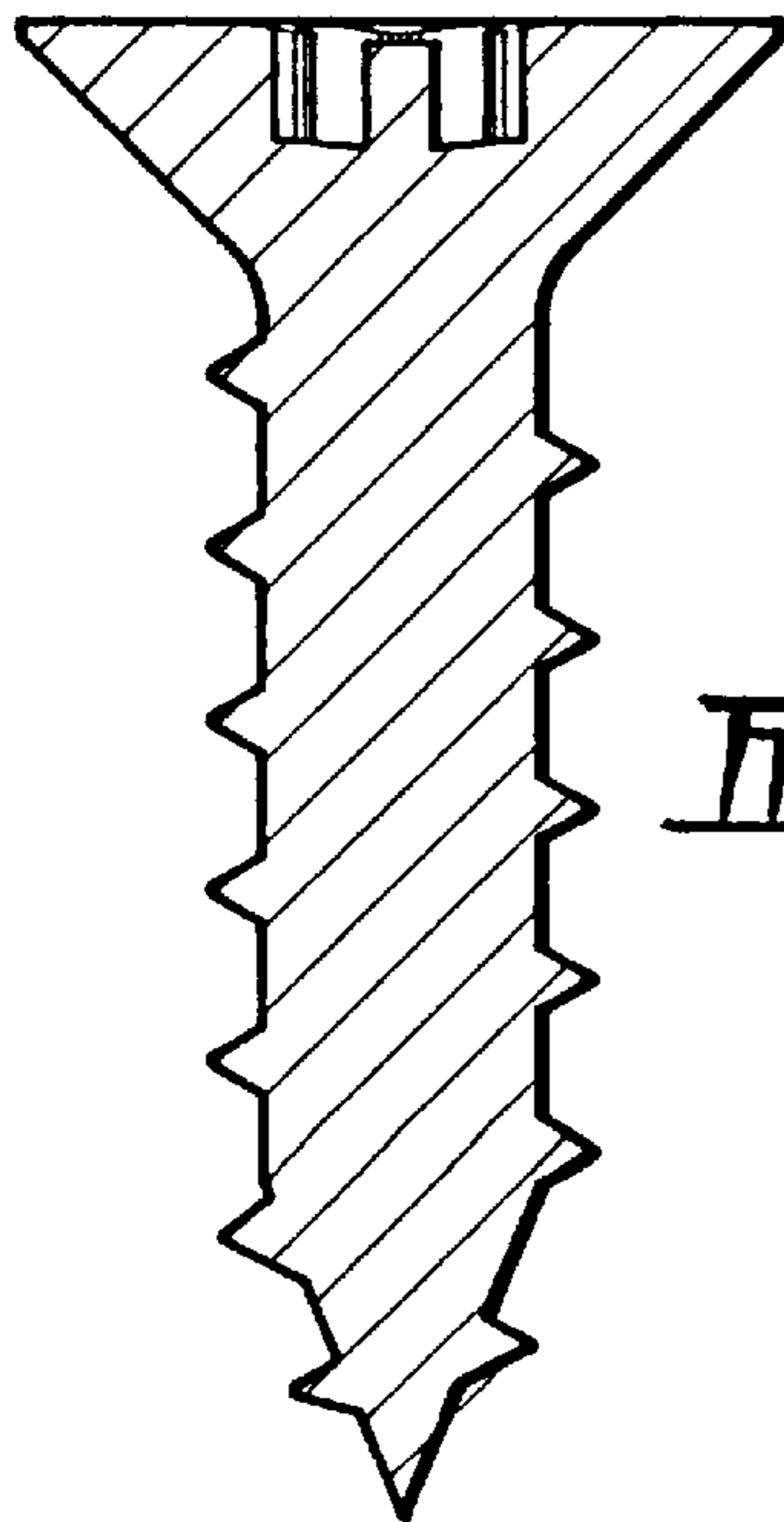


FIG. 28.

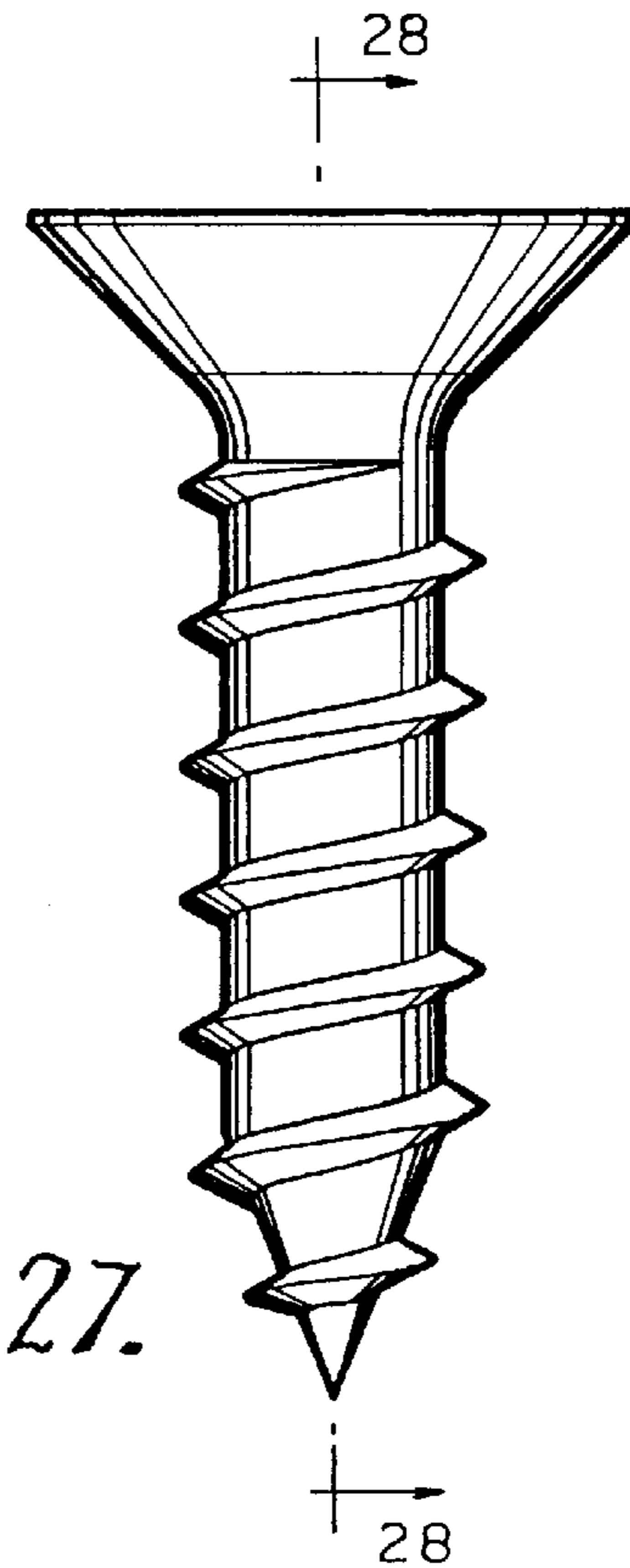


FIG. 27.

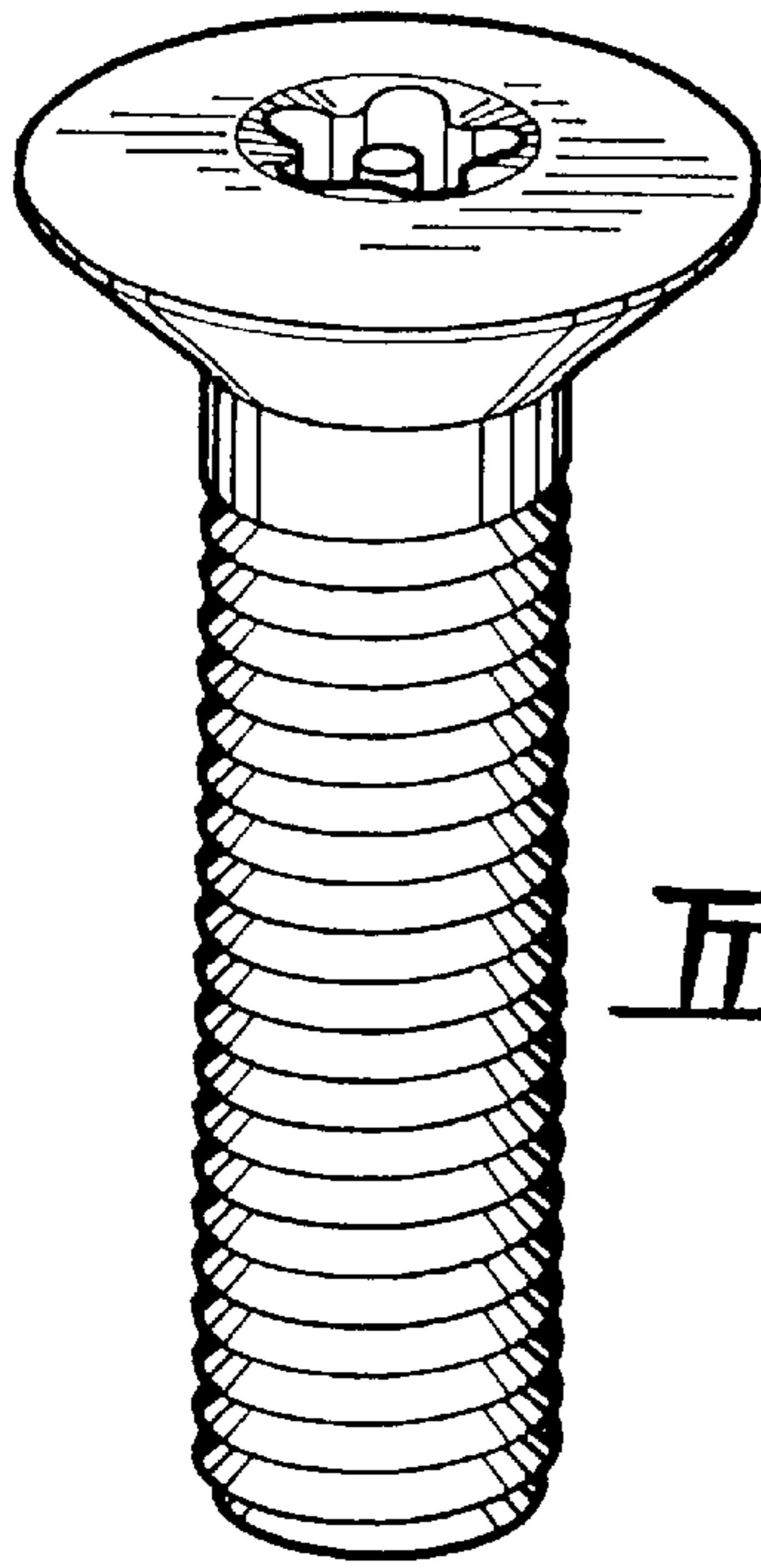


FIG. 29.

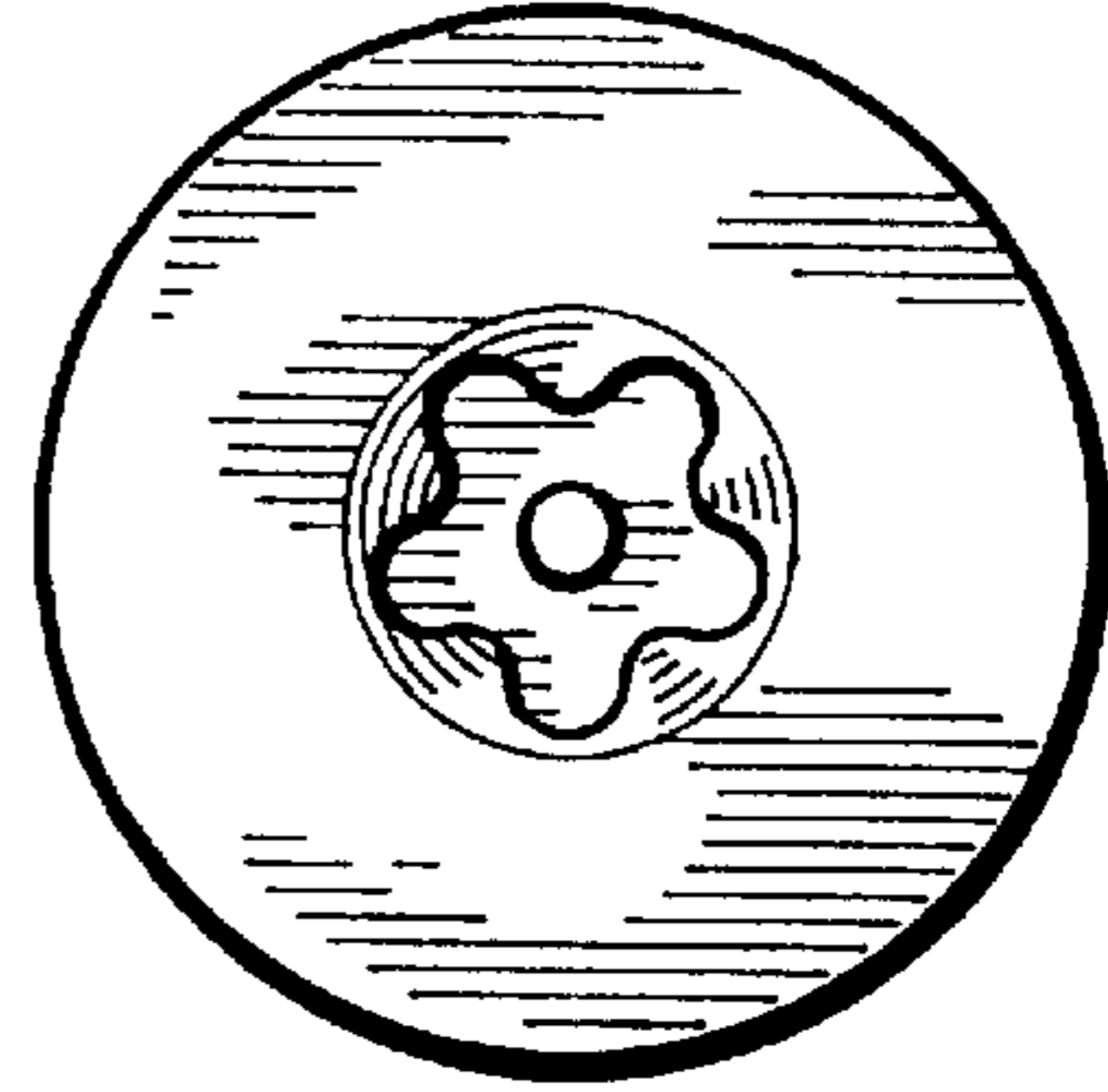


FIG. 30.

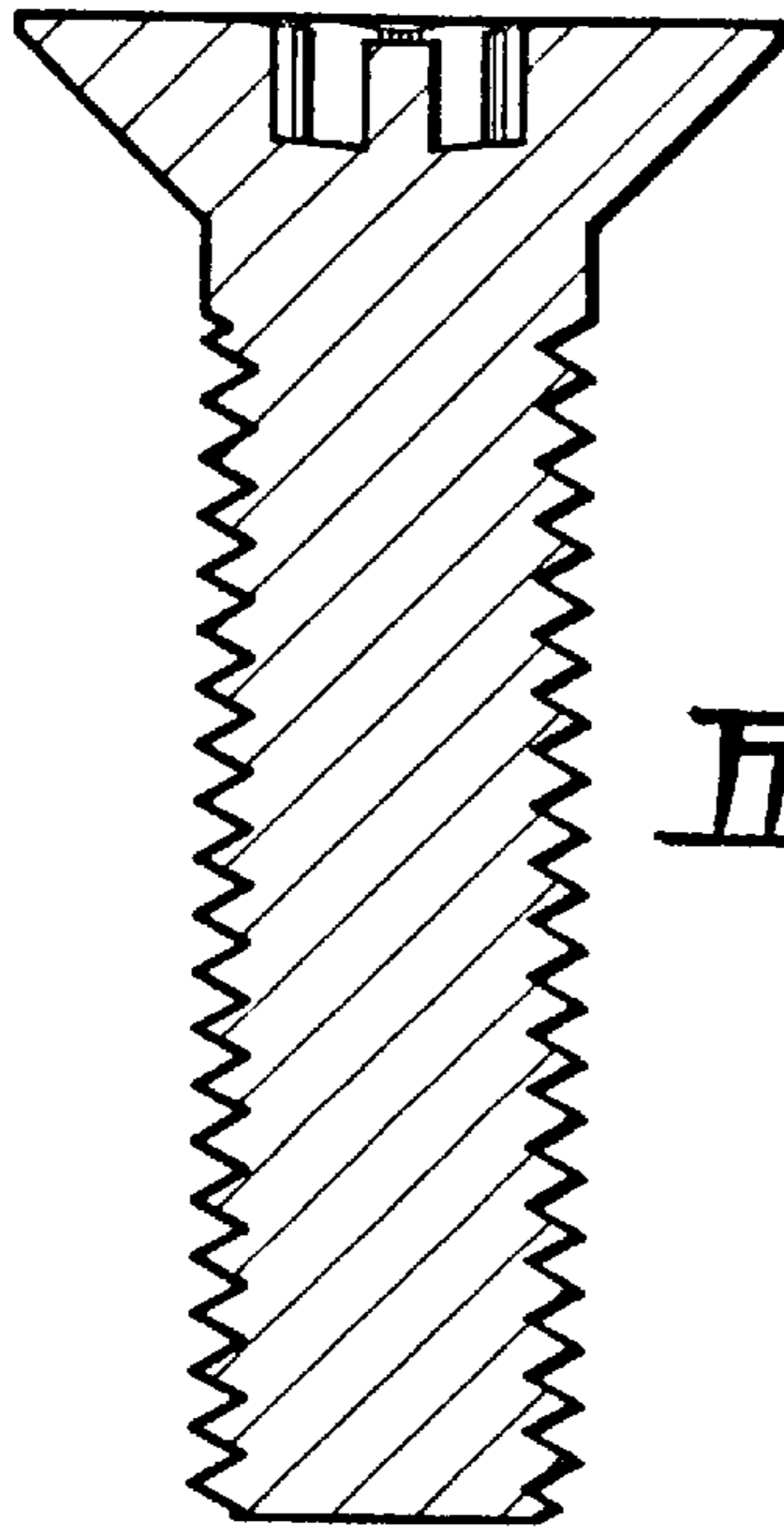


FIG. 32.

FIG. 31.

