



US00D415675S

United States Patent [19]

Hannerstig et al.

[11] Patent Number: **Des. 415,675**

[45] Date of Patent: **** Oct. 26, 1999**

[54] LATERAL FINIAL FOR A CURTAIN ROD

[75] Inventors: **Christer Hannerstig**, Malmö, Sweden;
Stanley Hsiao, Taipei, Taiwan

[73] Assignee: **AB A Svensson & Co.**, Malmo, Sweden

[**] Term: **14 Years**

[21] Appl. No.: **29/057,774**

[22] Filed: **Jul. 31, 1996**

[51] LOC (6) Cl. **08-05**

[52] U.S. Cl. **D8/378**

[58] Field of Search D8/378; 428/28;
D26/154

[56] **References Cited**

U.S. PATENT DOCUMENTS

D. 77,567 1/1929 Vermillion D8/378

D. 78,895 7/1929 O'Donnell D8/378
D. 80,995 4/1930 Astrup D8/378
D. 218,730 9/1970 Nelson D8/378
1,781,687 11/1930 Hazman 428/28
4,103,875 8/1978 Glass 428/28

Primary Examiner—Holly Baynham
Attorney, Agent, or Firm—Birch, Stewart, Kolasch & Birch, LLP.

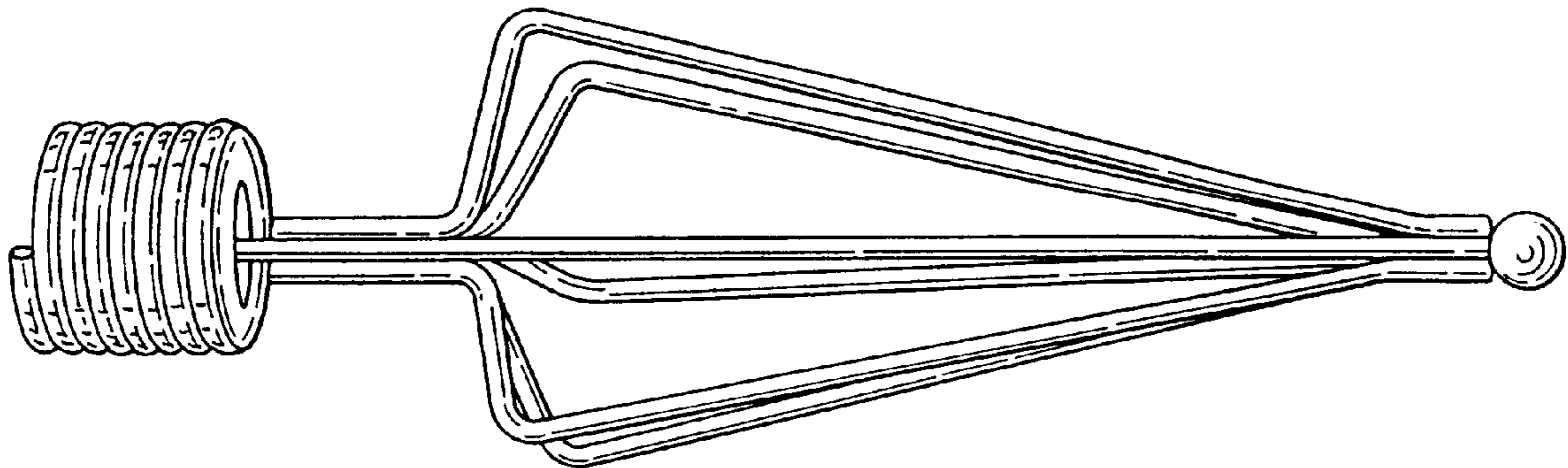
[57] **CLAIM**

The ornamental design for an lateral finial for a curtain rod, as shown and described.

DESCRIPTION

FIG. 1 is a perspective view of the present invention;
FIG. 2 is a top plan view of FIG. 1;
FIG. 3 is a bottom plan view of FIG. 1;
FIG. 4 is a right side view of FIG. 1; and,
FIG. 5 is a left side view of FIG. 1.

1 Claim, 1 Drawing Sheet



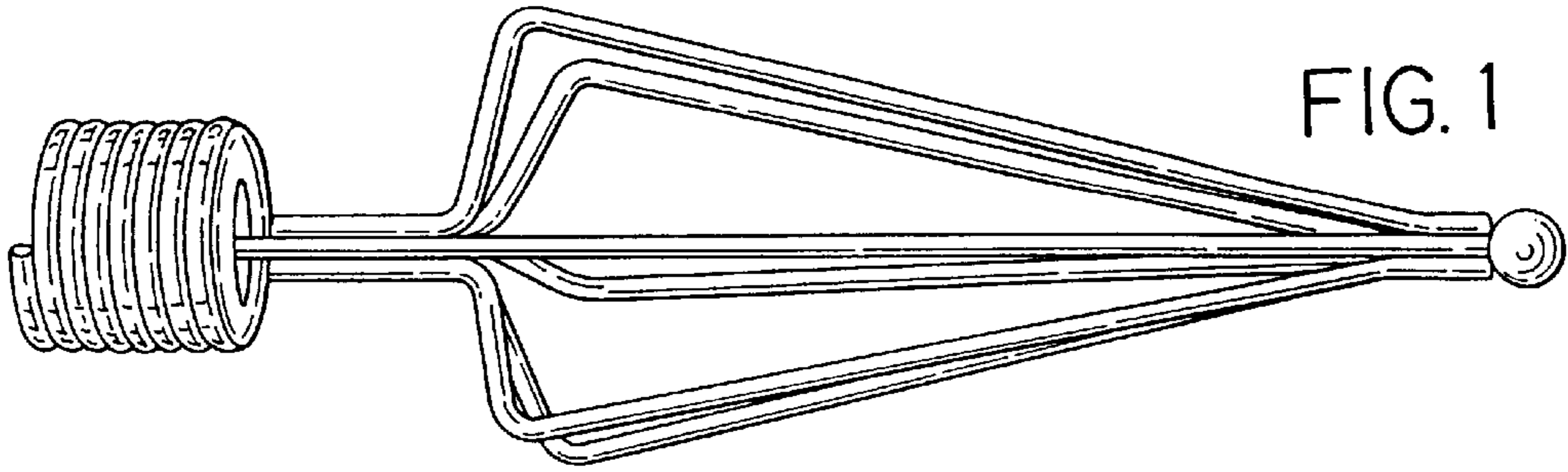


FIG. 1

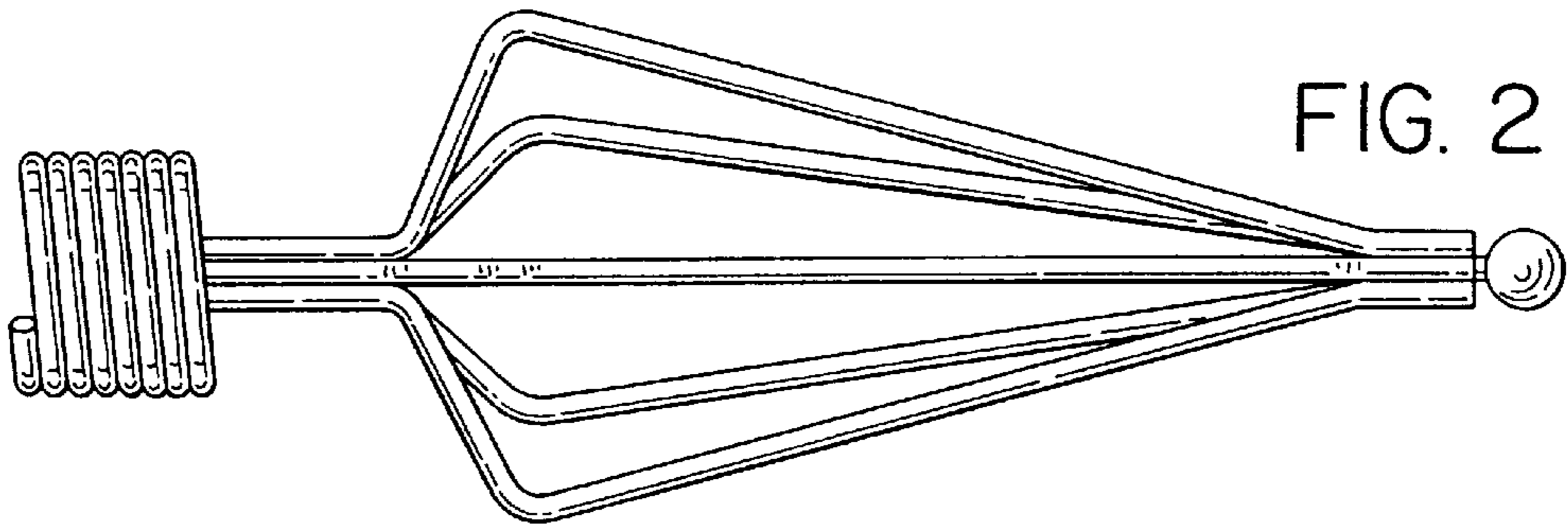


FIG. 2

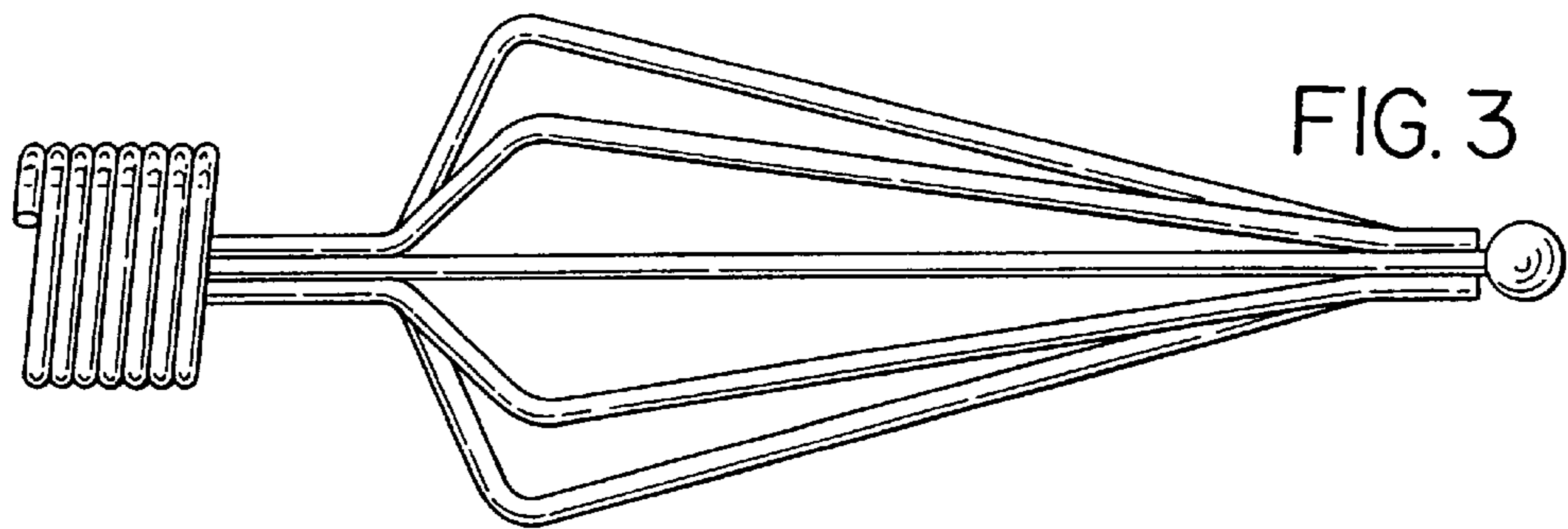


FIG. 3

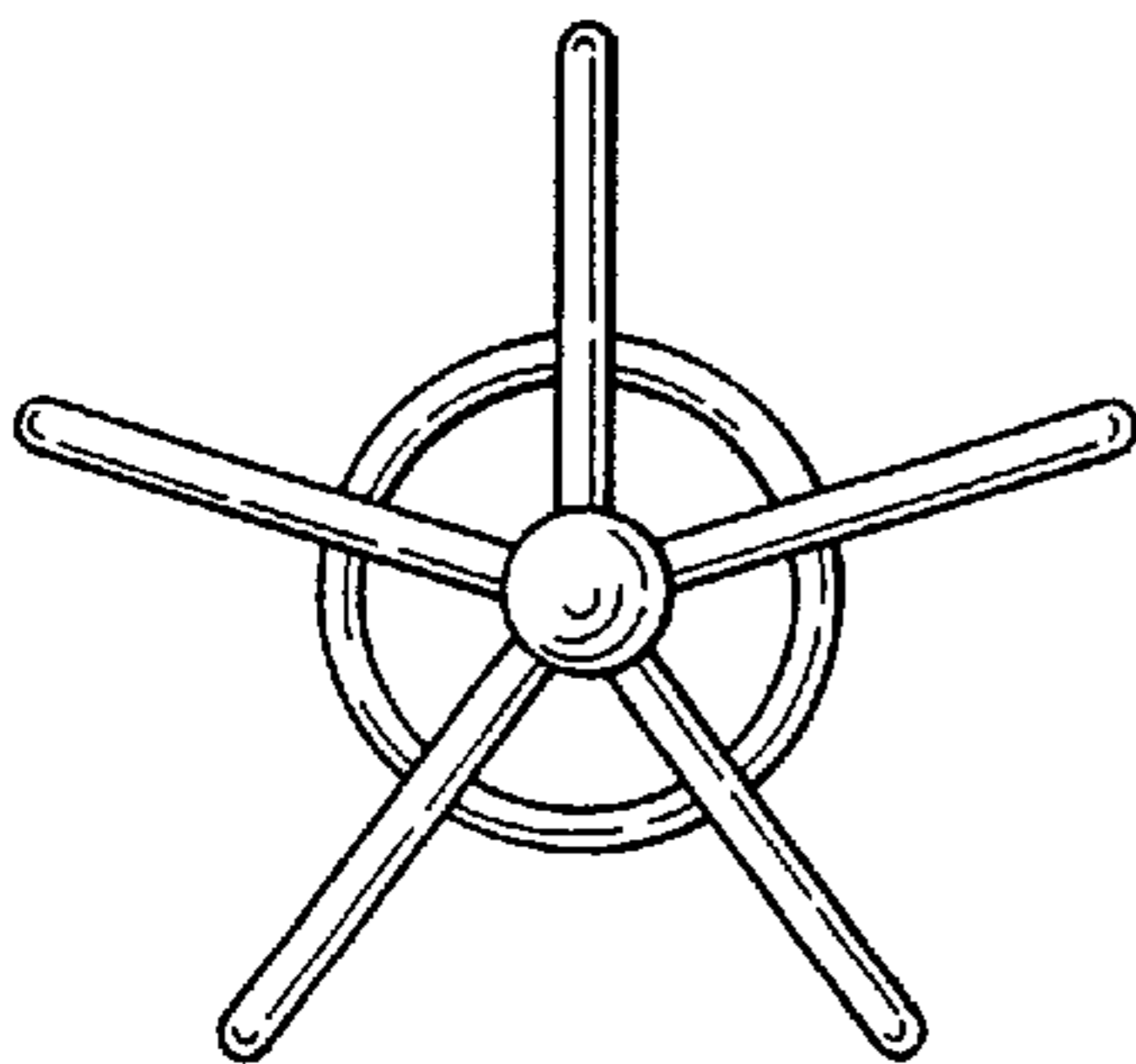


FIG. 4

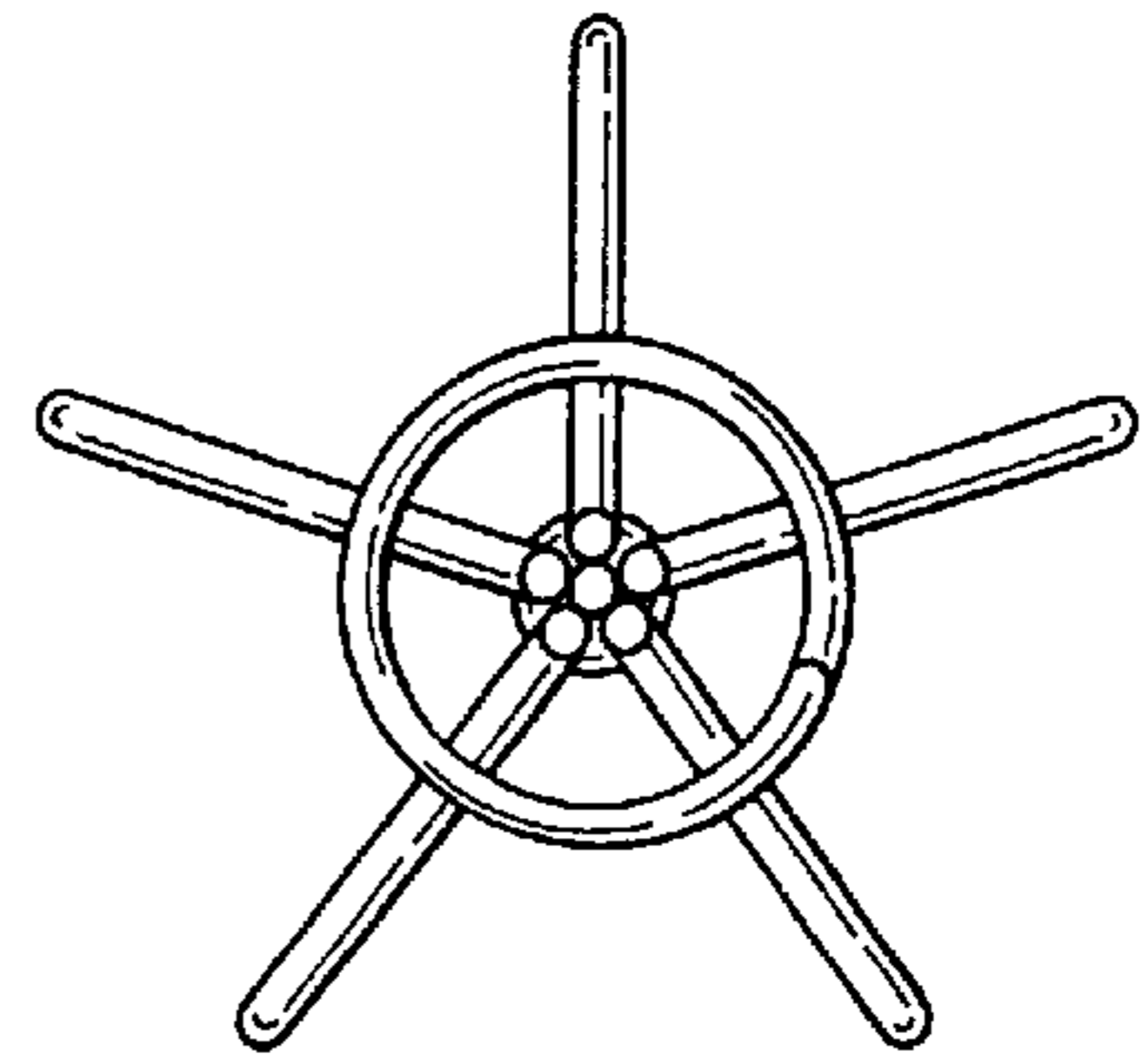


FIG. 5