



US00D415673S

United States Patent [19] Hampshire

[11] **Patent Number: Des. 415,673**

[45] **Date of Patent: ** Oct. 26, 1999**

[54] **UTILITY HOOK**

[76] Inventor: **James F. Hampshire**, 8252 Darrow Rd., Suite F, Twinsburg, Ohio 44087

[**] Term: **14 Years**

[21] Appl. No.: **29/096,277**

[22] Filed: **Nov. 9, 1998**

[51] **LOC (6) Cl. 08-05**

[52] **U.S. Cl. D8/367**

[58] **Field of Search** 248/206.2, 206.1, 248/206.5, 206.3, 205.7, 205.9; D8/367, 354

[56] **References Cited**

U.S. PATENT DOCUMENTS

2,190,550	2/1940	Simmons	248/205.7
5,078,356	1/1992	Adams	248/206.2
5,176,347	1/1993	Rouail	248/206.2

OTHER PUBLICATIONS

Outwater Plastics Catalog, p. 257, suction display hook—located in middle of page, Jul. 1983.

Primary Examiner—Holly Baynham
Attorney, Agent, or Firm—Oldham & Oldham Co., LPA

[57] **CLAIM**

The ornamental design for the “utility hook,” as shown and described.

DESCRIPTION

FIG. 1 is a front elevational view of a new design of a utility hook;

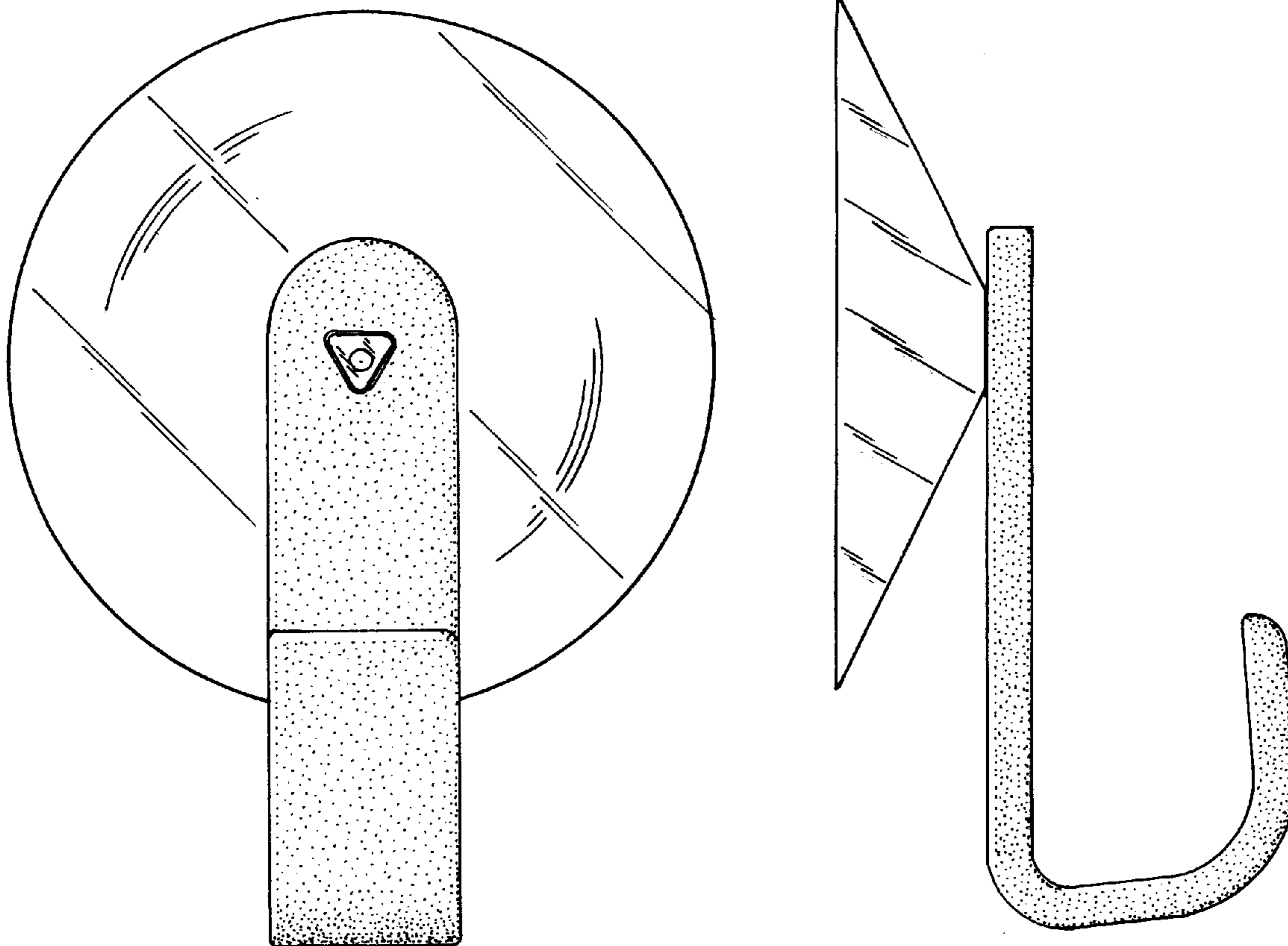
FIG. 2 is a top plan view with reference to FIG. 1;

FIG. 3 is a left side elevational view, the right side elevational view being a mirror image thereof, also with reference to FIG. 1;

FIG. 4 is a bottom view; and,

FIG. 5 is a rear elevational view.

1 Claim, 1 Drawing Sheet



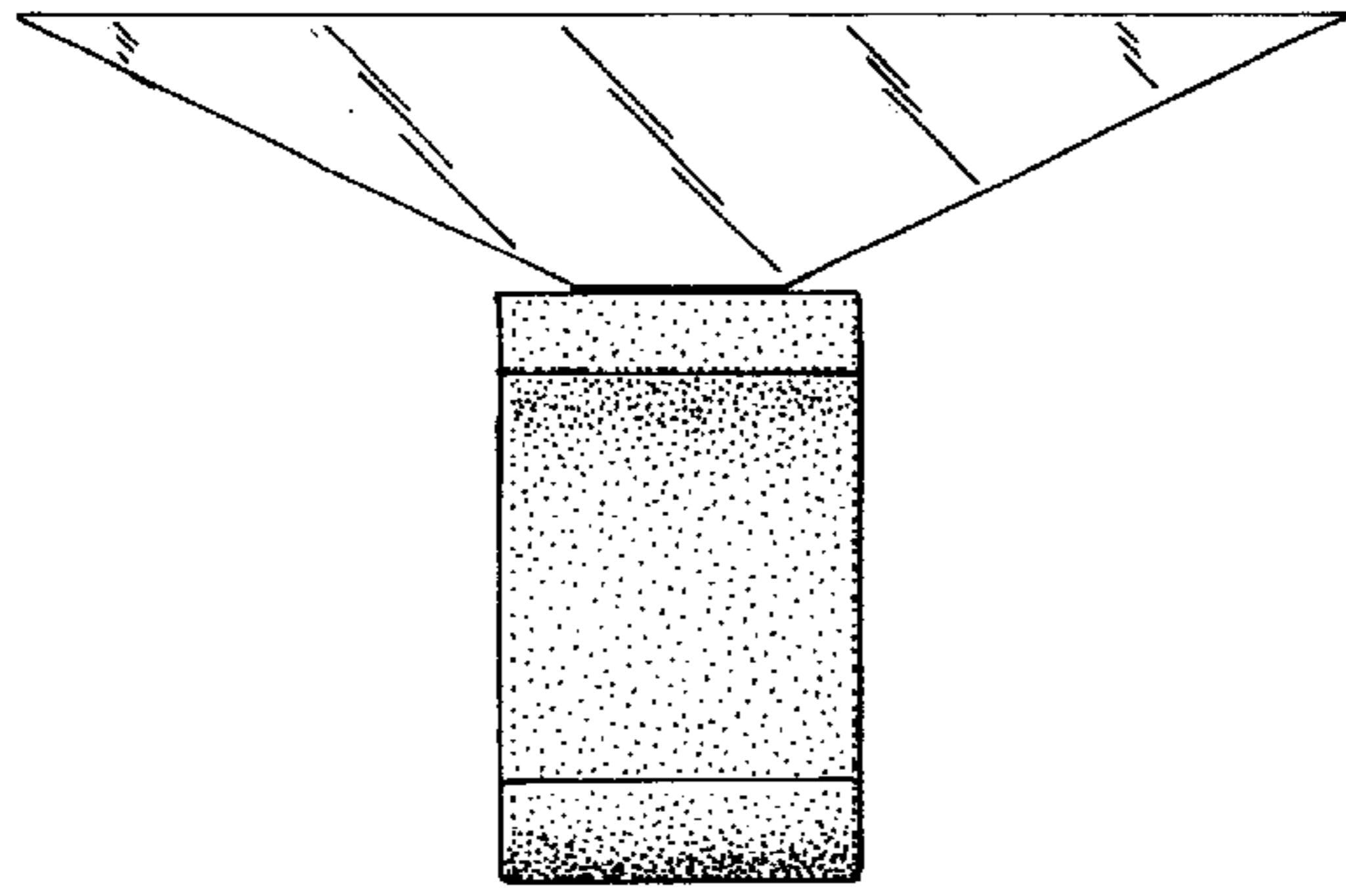


FIG.-2

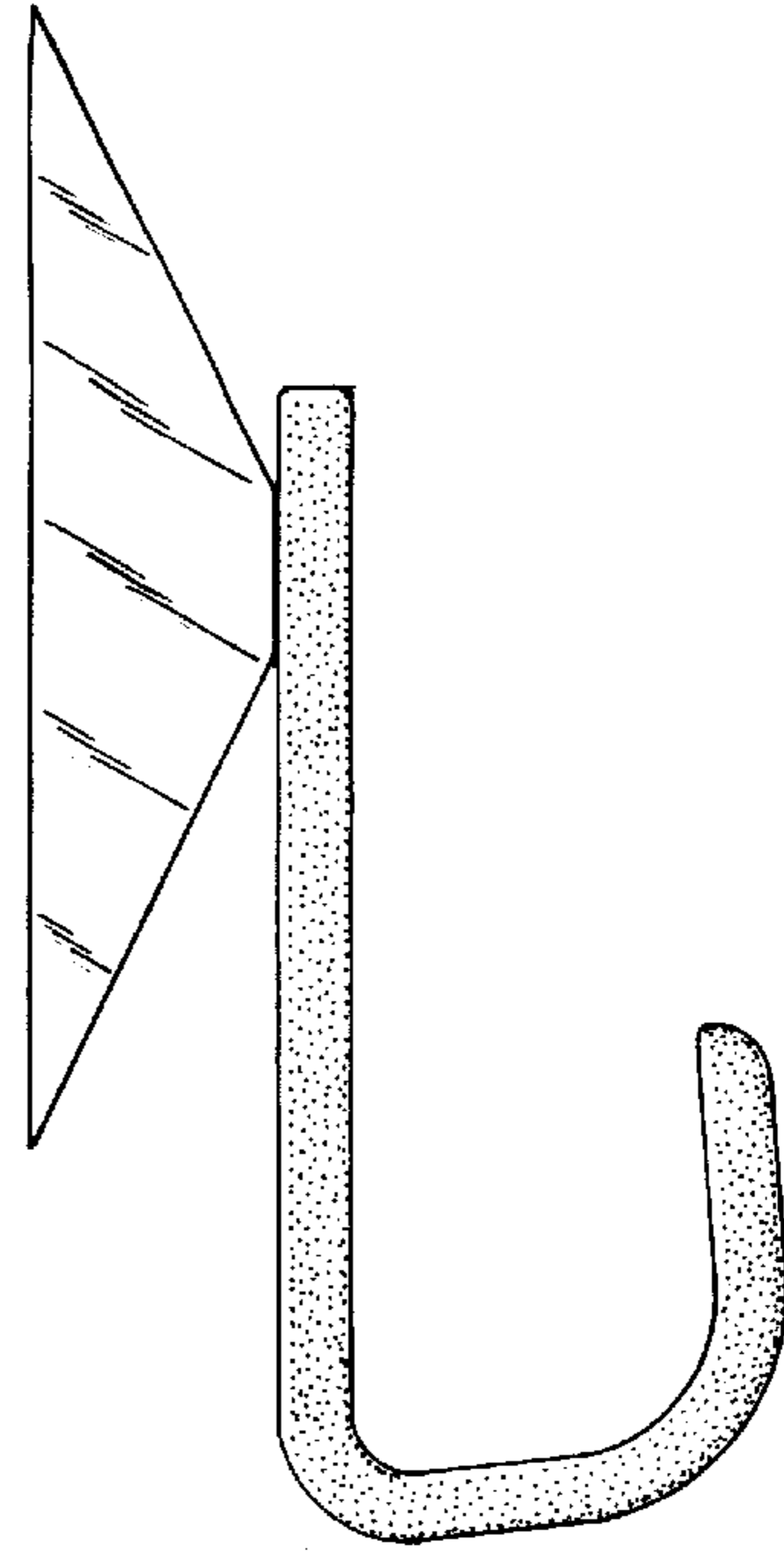


FIG.-3

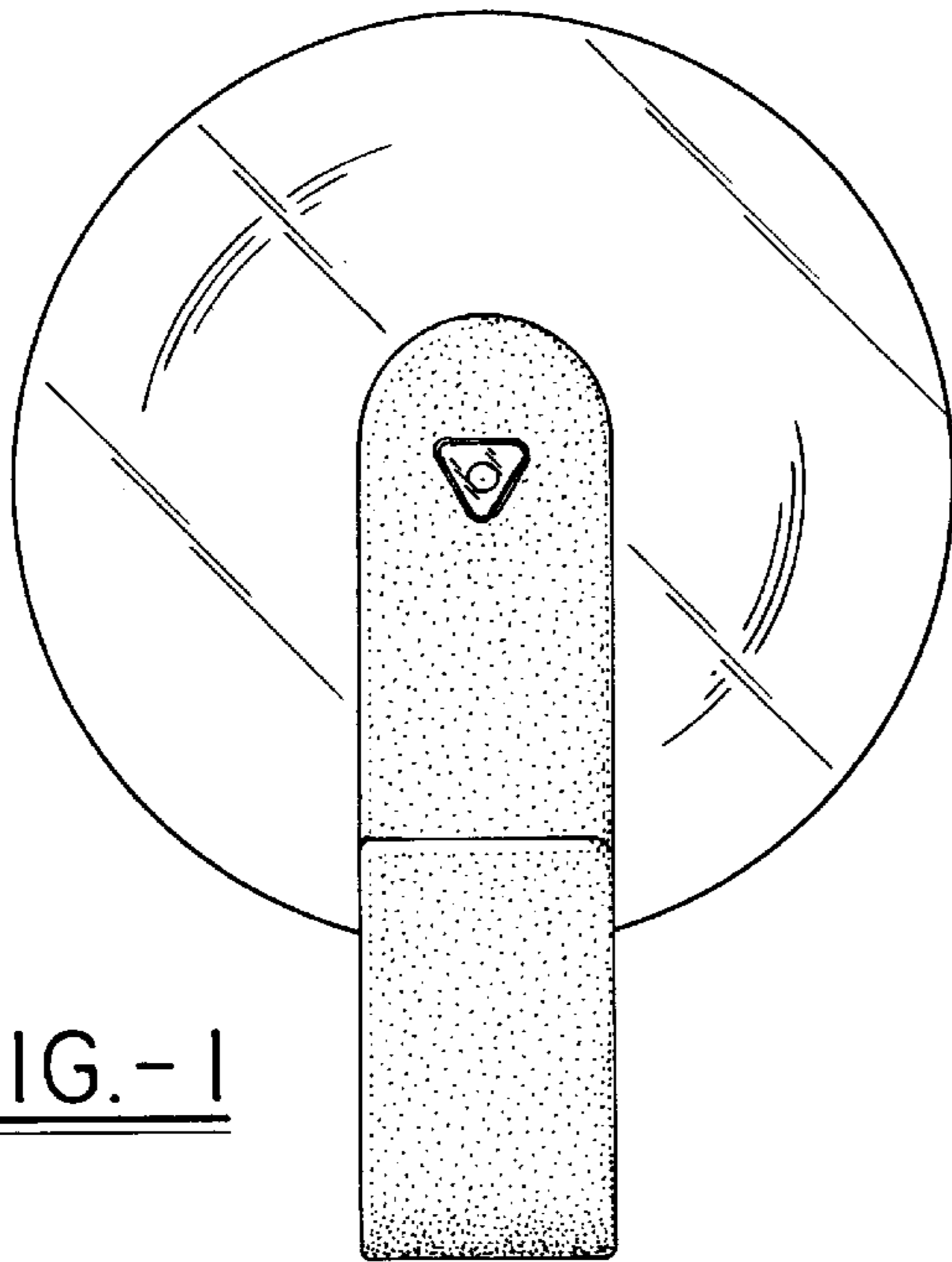


FIG.-1

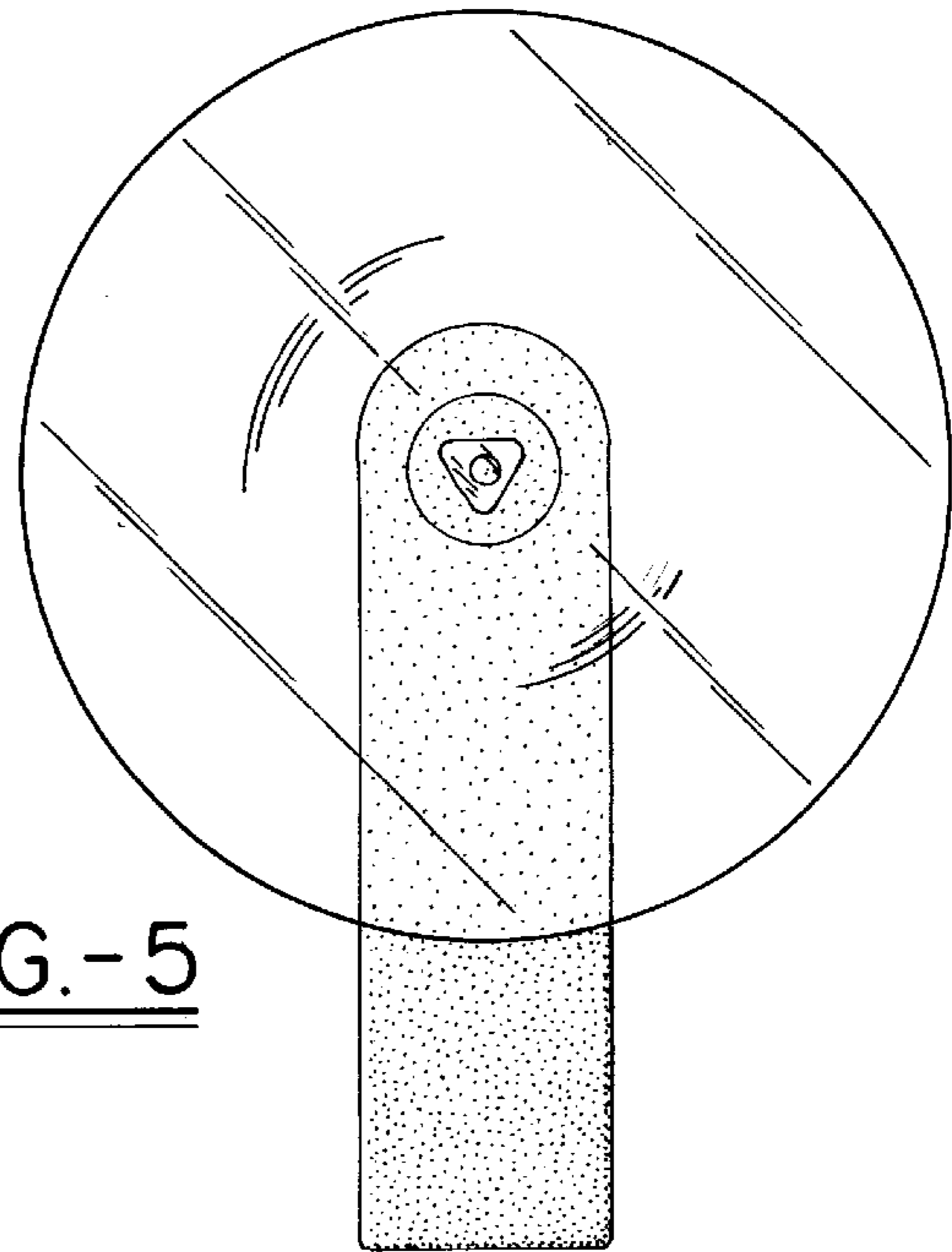


FIG.-5

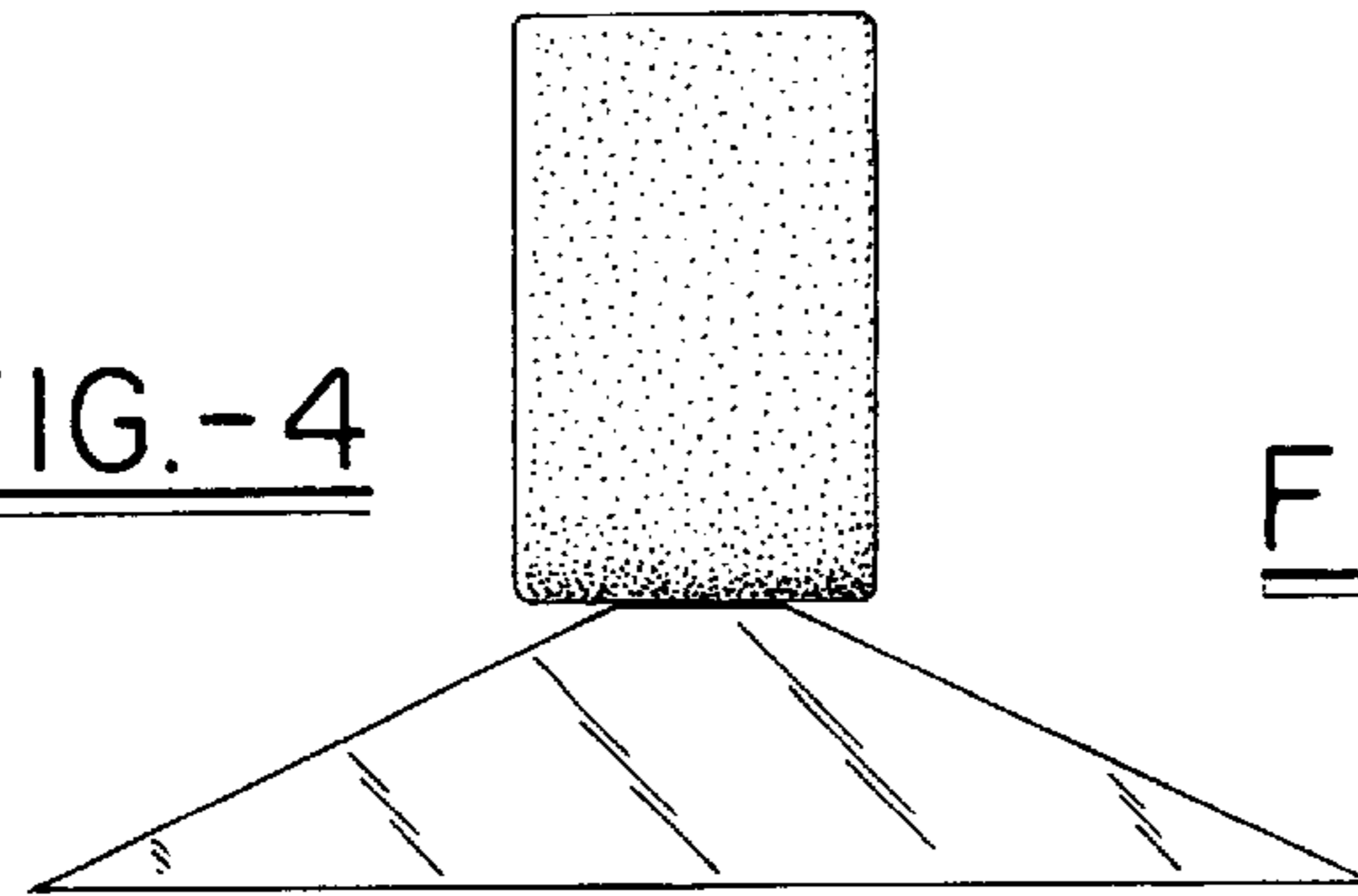


FIG.-4