



US00D415671S

United States Patent [19] Schultz

[11] Patent Number: **Des. 415,671**

[45] Date of Patent: **** Oct. 26, 1999**

[54] **TILT-LATCH**

[75] Inventor: **Steven E. Schultz**, Demotte, Ind.

[73] Assignee: **Ashland Products, Inc.**, Lowell, Ind.

[**] Term: **14 Years**

[21] Appl. No.: **29/091,098**

[22] Filed: **Jul. 22, 1998**

[51] **LOC (6) Cl.** **08-07**

[52] **U.S. Cl.** **D8/331**

[58] **Field of Search** D8/330-331, 336-338;
292/DIG. 20, DIG. 30, DIG. 31, DIG. 35,
DIG. 47, 194, 200, 236, 338, 66, 175, 153

4,790,579	12/1988	Maxwell et al. .
4,791,756	12/1988	Simpson .
4,824,154	4/1989	Simpson .
4,837,975	6/1989	Simpson. .
4,901,475	2/1990	Simpson .
4,917,413	4/1990	Jason et al. .
5,028,083	7/1991	Mischenko .
5,068,932	12/1991	Chang .
5,096,240	3/1992	Schultz .
5,121,951	6/1992	Harbom et al. .
5,121,952	6/1992	Jason .
5,139,291	8/1992	Schultz .
5,165,737	11/1992	Riegelman .
5,618,067	4/1997	Carlson et al. .
5,669,639	9/1997	Lawrence .
5,671,958	9/1997	Szapucki et al. .

Primary Examiner—Brian N. Vinson
Attorney, Agent, or Firm—Wallenstein & Wagner, Ltd.

[56] **References Cited**

U.S. PATENT DOCUMENTS

16,228	12/1856	Copeland .	
D. 371,502	7/1996	Morris	D8/331
D. 380,370	7/1997	Carlson et al.	D8/331
D. 396,397	7/1998	Swan	D8/331
1,781,729	11/1930	Major .	
2,568,273	9/1951	Clark .	
2,965,935	12/1960	Olsen .	
3,080,621	3/1963	Mendelsohn .	
3,122,797	3/1964	Segre .	
4,167,835	9/1979	Nobes et al. .	
4,400,026	8/1983	Brown, Jr. .	
4,475,311	10/1984	Gibson .	
4,553,353	11/1985	Simpson .	
4,578,903	4/1986	Simpson .	
4,581,850	4/1986	Simpson .	
4,622,778	11/1986	Simpson .	
4,669,765	6/1987	Ullman .	

[57] **CLAIM**

I claim the ornamental design for a tilt-latch, as shown and described.

DESCRIPTION

FIG. 1 is a perspective view of a tilt-latch, embodying the new design;
FIG. 2 is a front elevational view of the tilt-latch;
FIG. 3 is a rear elevational view of the tilt-latch;
FIG. 4 is a top plan view of the tilt-latch;
FIG. 5 is a side elevational view of the tilt-latch; and,
FIG. 6 is an opposite side elevational view of the tilt-latch. The underside of the tilt-latch is plain and ornamented. The broken-line disclosure in the views is for illustrative purposes only and forms no part of the claimed design.

1 Claim, 1 Drawing Sheet

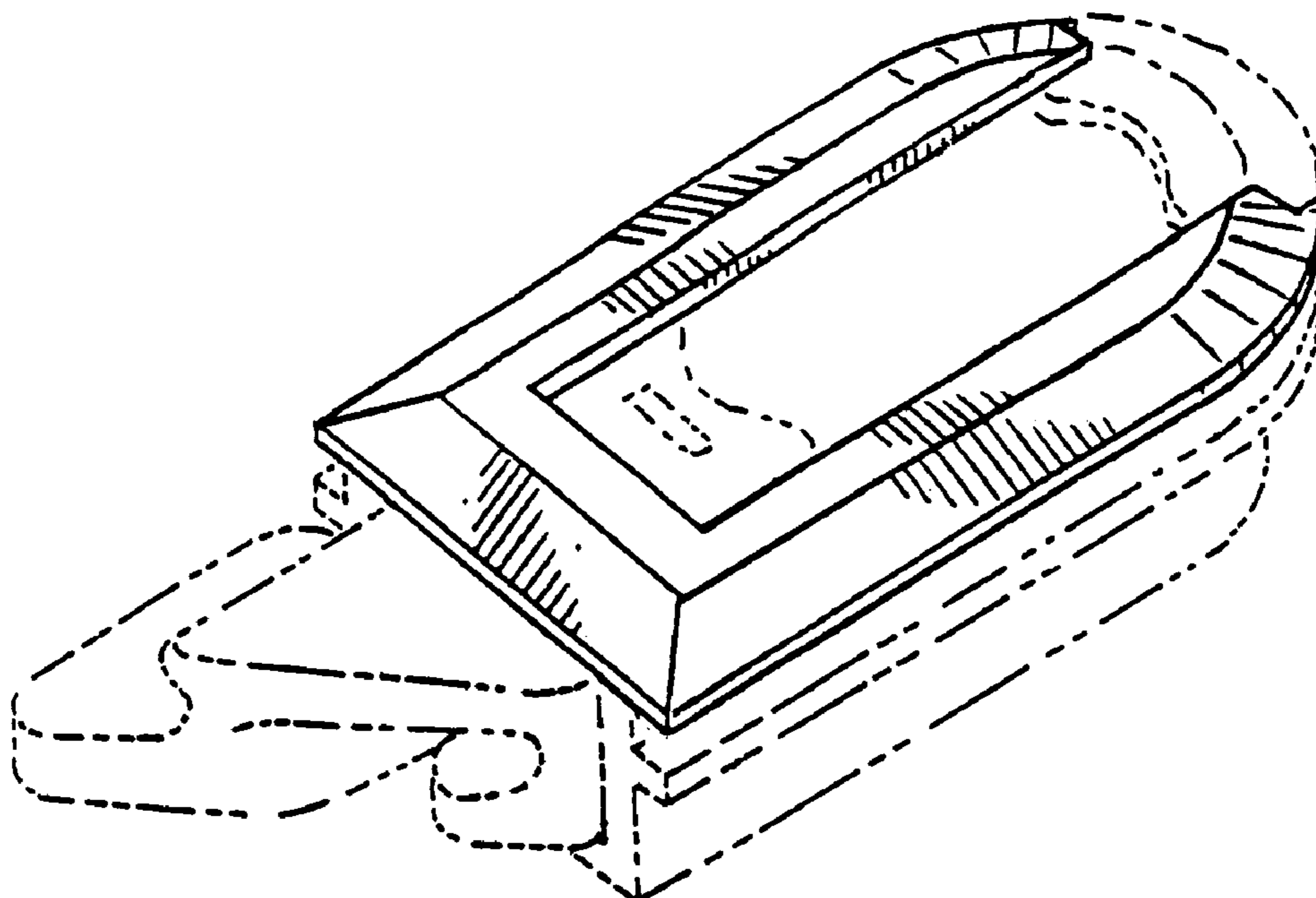


FIG. 1

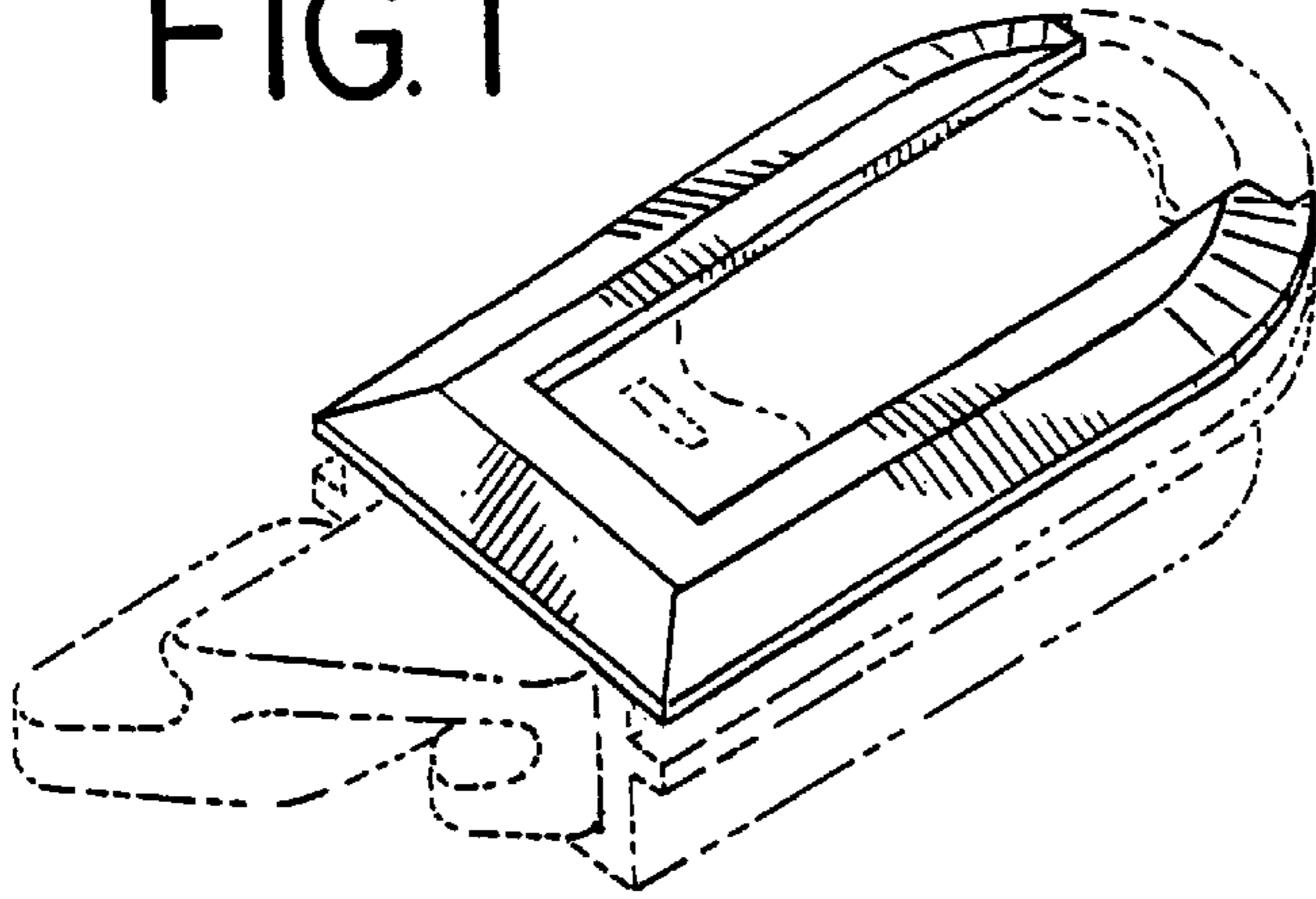


FIG. 2

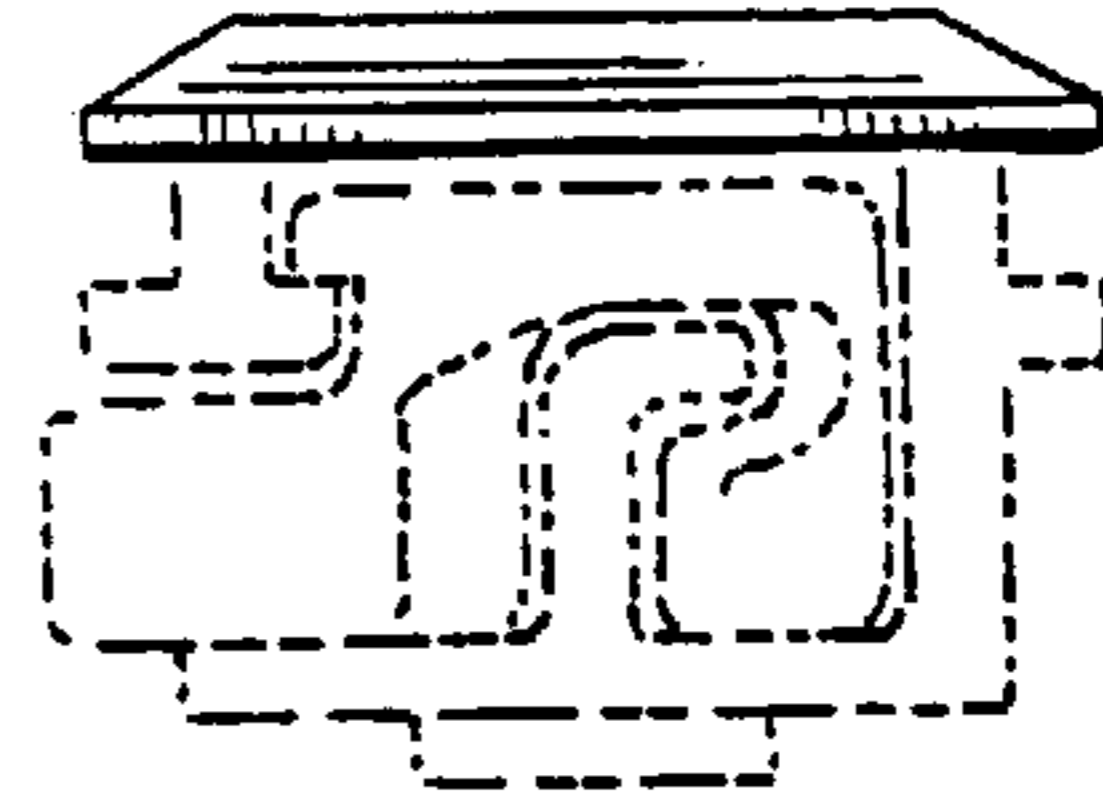


FIG. 3

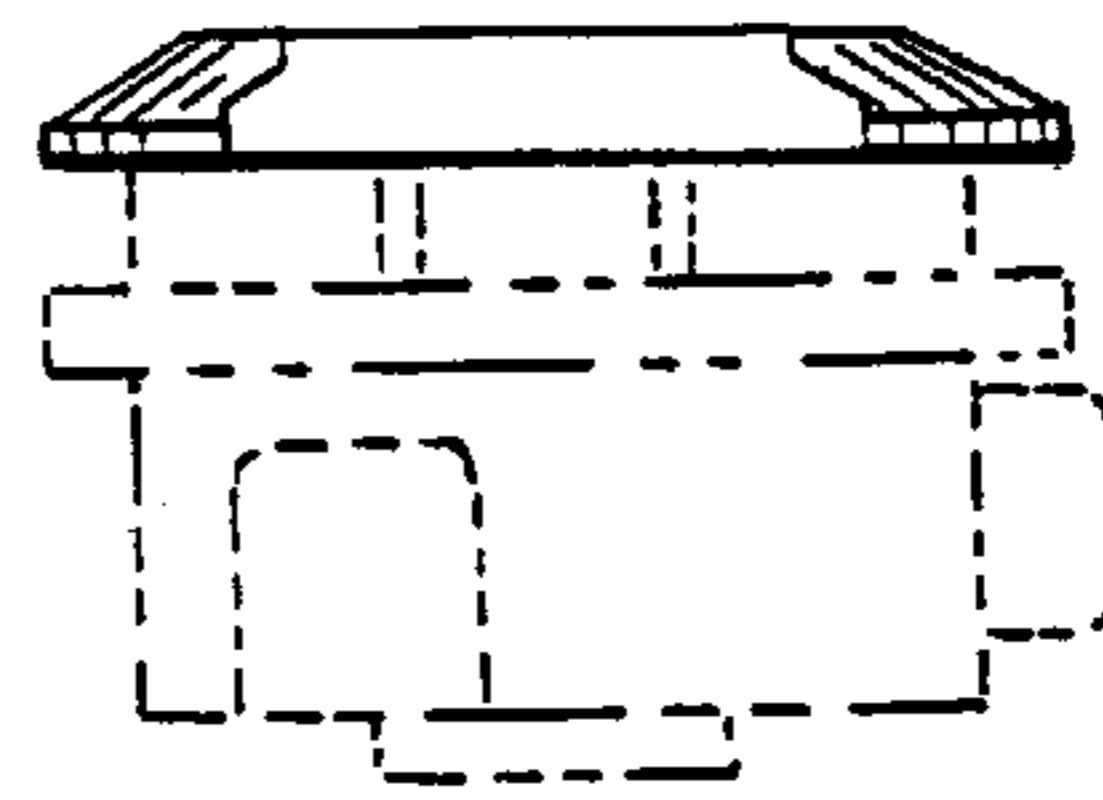


FIG. 4

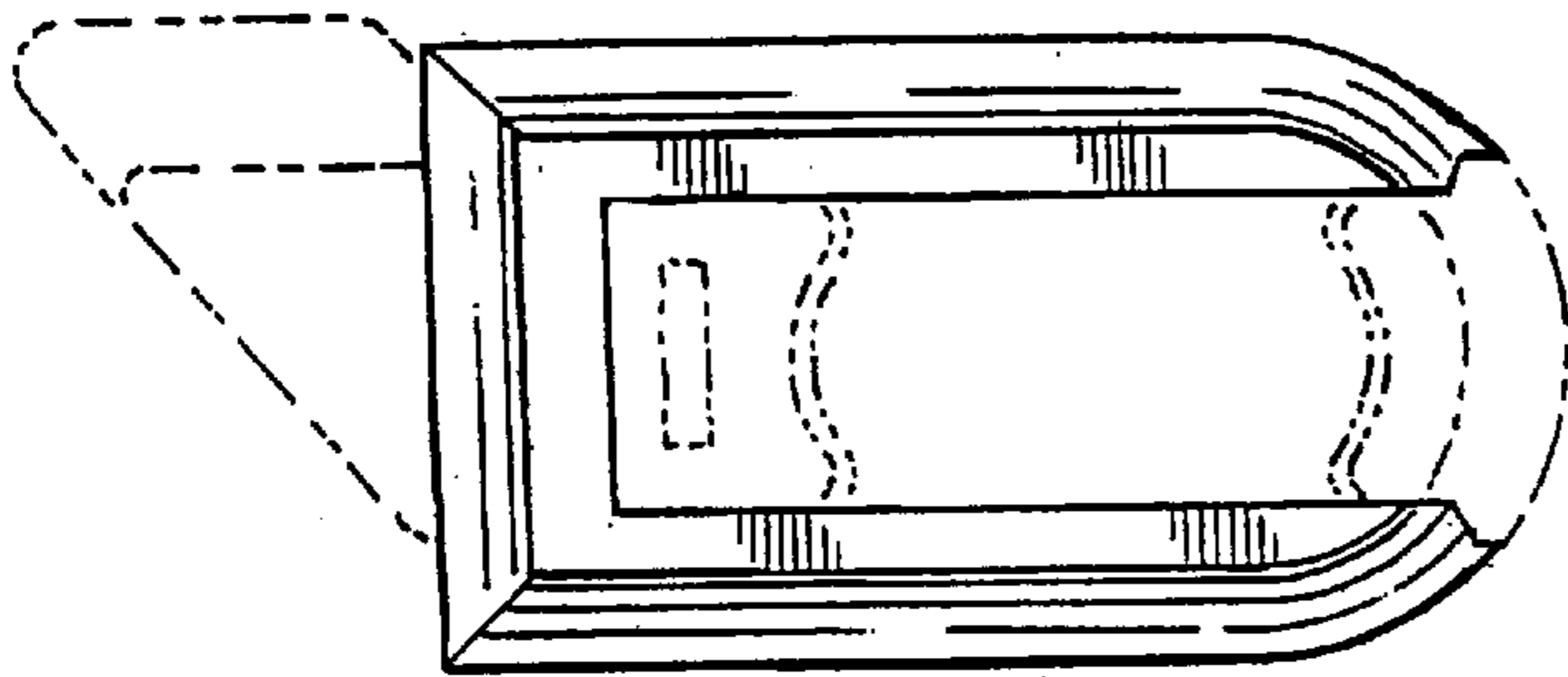


FIG. 5

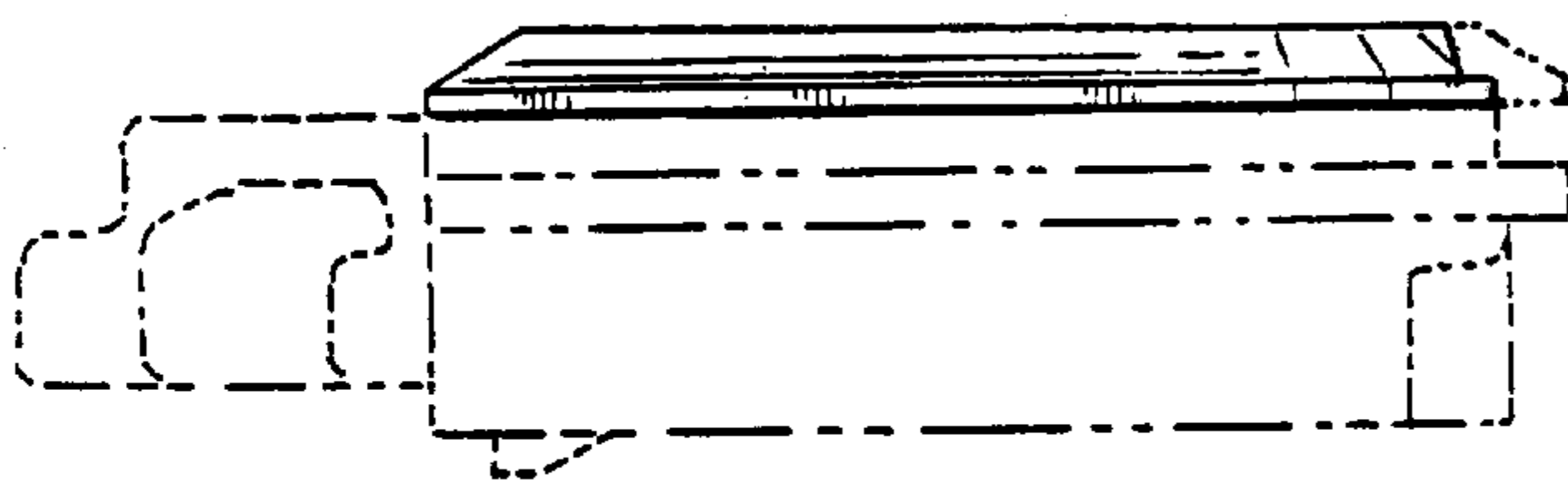


FIG. 6

