



US00D415670S

United States Patent [19] Lin

[11] Patent Number: **Des. 415,670**

[45] Date of Patent: **** Oct. 26, 1999**

[54] **HAND SAW**

[75] Inventor: **Chang-Yun Lin**, Taichung Hsien, Taiwan

[73] Assignee: **Motomax Electric Co., Ltd.**, Taichung Hsien, Taiwan

[**] Term: **14 Years**

[21] Appl. No.: **29/096,168**

[22] Filed: **Nov. 5, 1998**

[51] **LOC (6) Cl.** **08-03**

[52] **U.S. Cl.** **D8/66**

[58] **Field of Search** D8/61, 64-69;
30/377-378, 388-391, DIG. 1

[56] **References Cited**

U.S. PATENT DOCUMENTS

D. 327,828	7/1992	Hoshino et al.	D8/66
D. 348,193	6/1994	Sasaki et al.	D8/66
D. 390,081	2/1998	Price et al.	D8/66

OTHER PUBLICATIONS

Milwaukee heavy-duty Tools Cat.#475-4/1975-p.40-saw at top-right.

Primary Examiner—Nelson C. Holtje
Attorney, Agent, or Firm—Browdy and Neimark

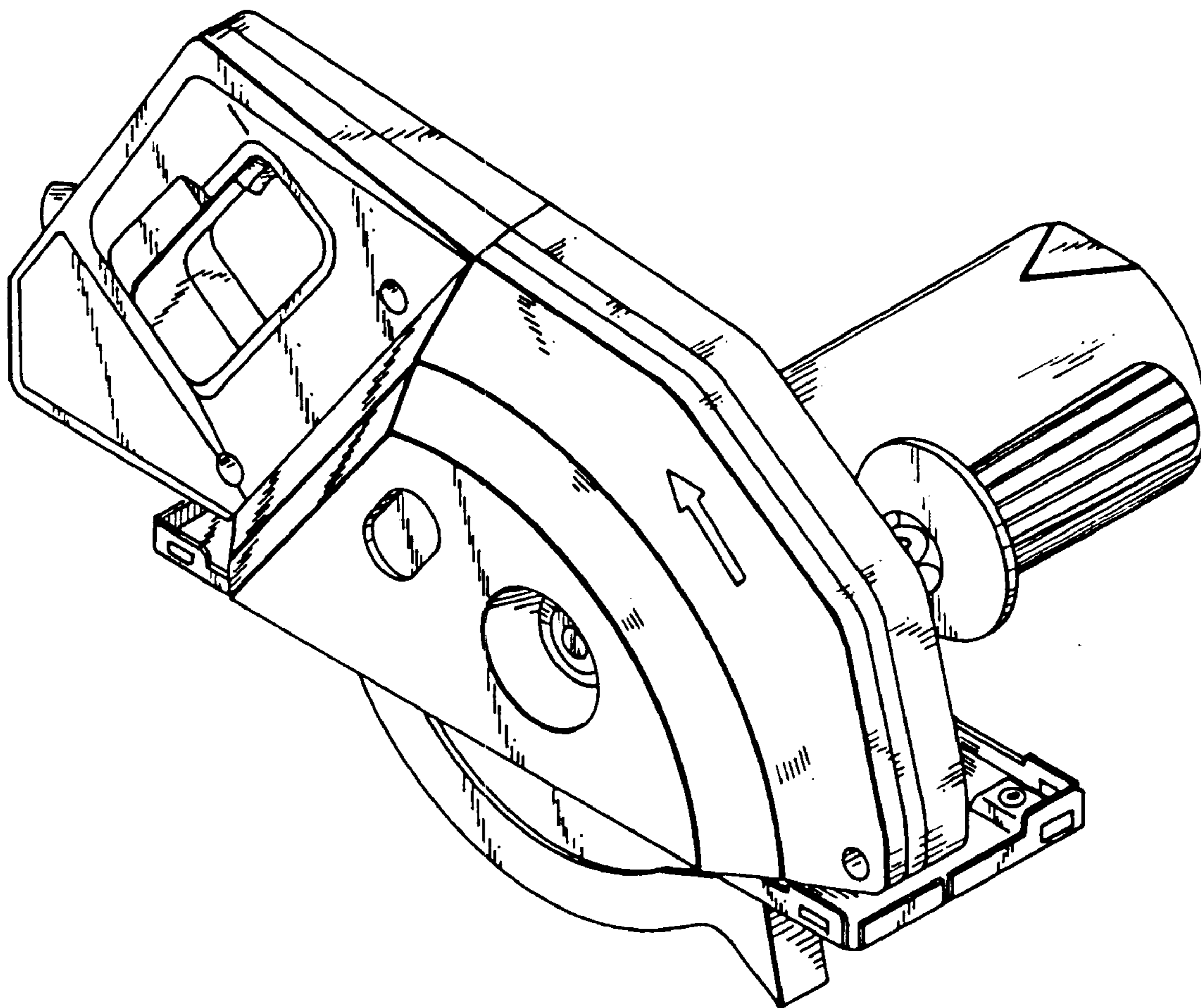
[57] **CLAIM**

The ornamental design for a hand saw, as shown and described.

DESCRIPTION

FIG. 1 shows a perspective view of the present design. FIG. 2 shows a front elevational view of the present design. FIG. 3 shows a top plan view of the present design. FIG. 4 shows a left elevational view of the present design. FIG. 5 shows a bottom plan view of the present design. FIG. 6 shows a rear elevational view of the present design; and, FIG. 7 shows a right elevational view of the present design.

1 Claim, 4 Drawing Sheets



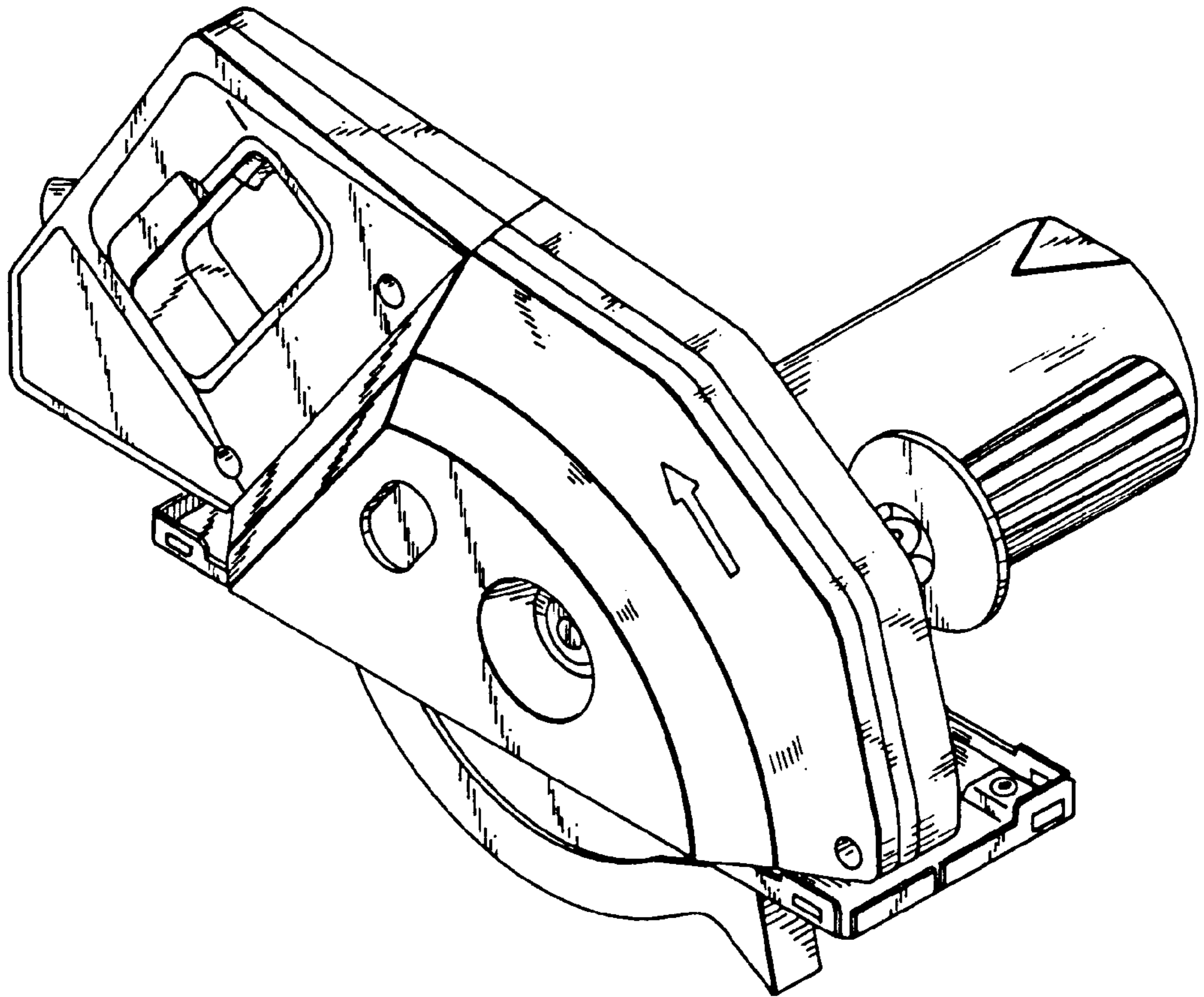


FIG. 1

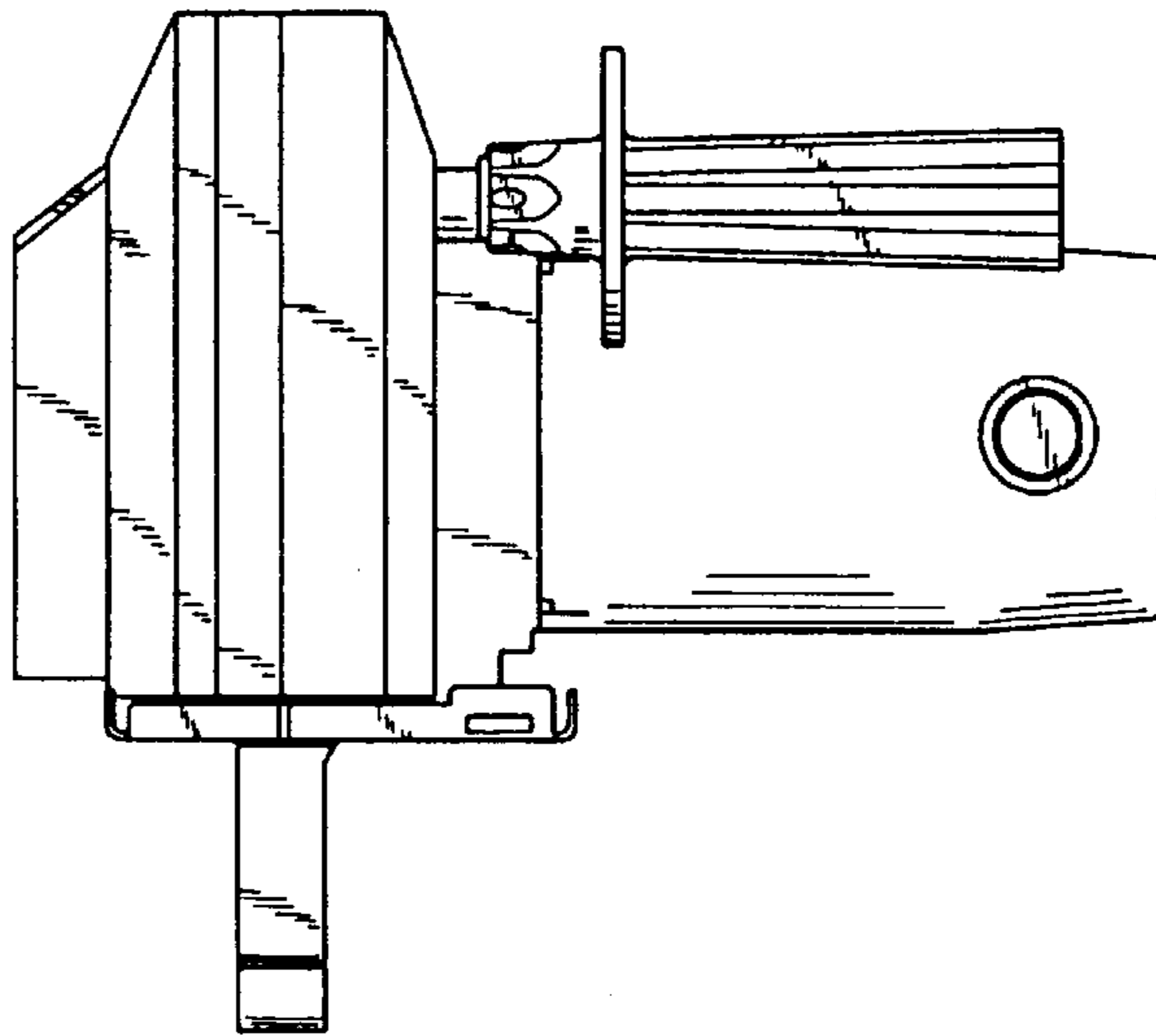


FIG. 2

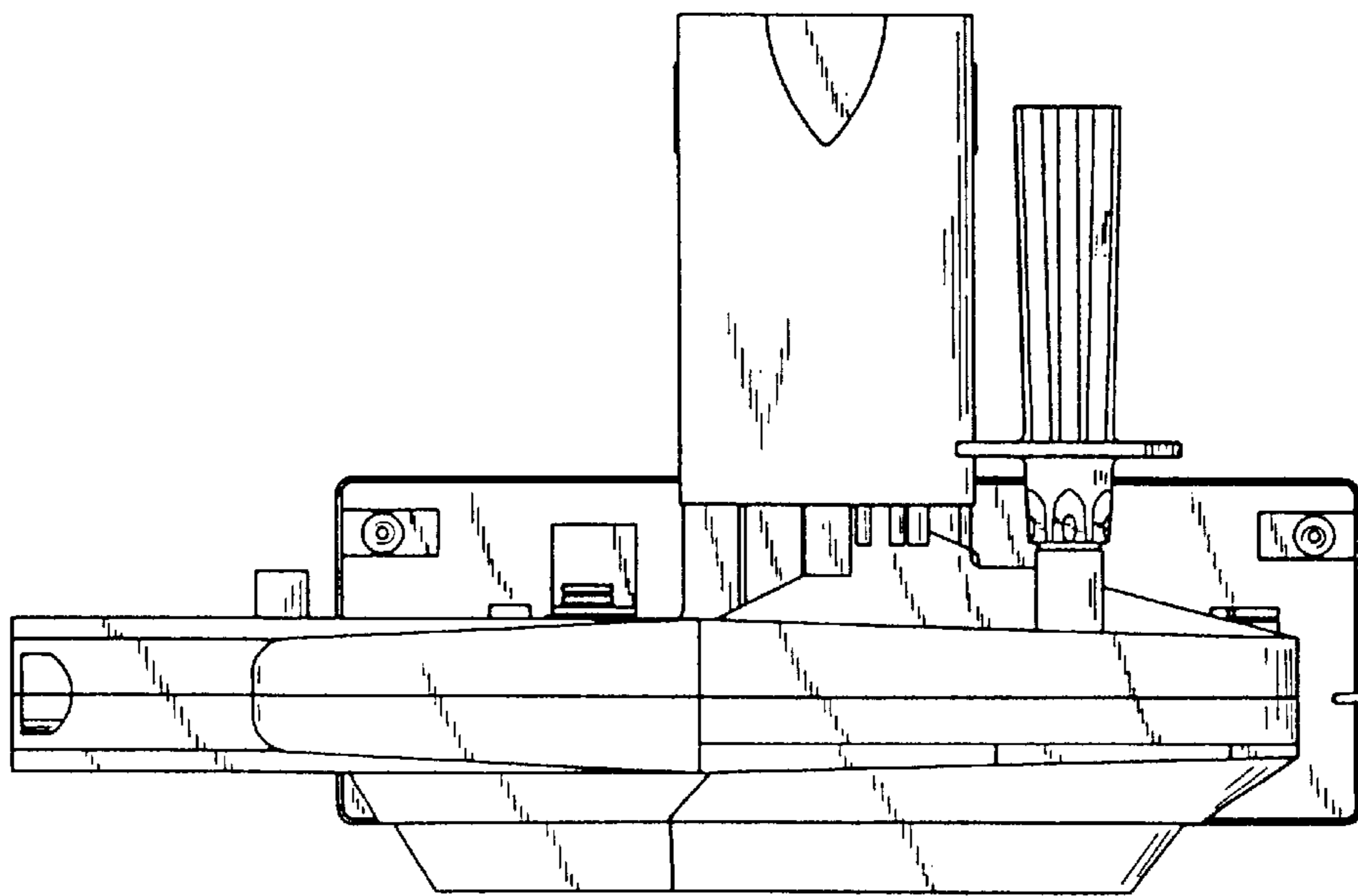


FIG. 3

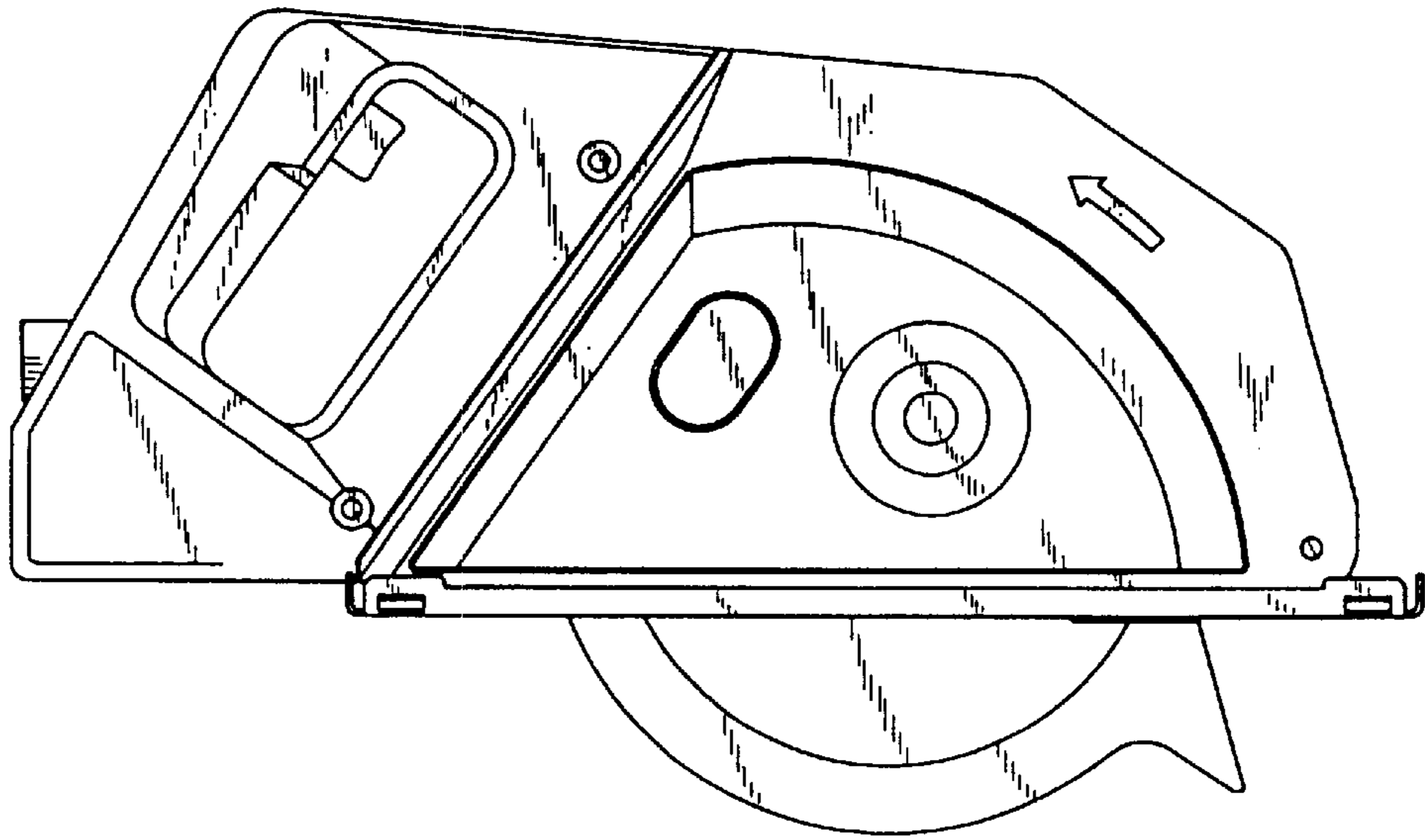


FIG. 4

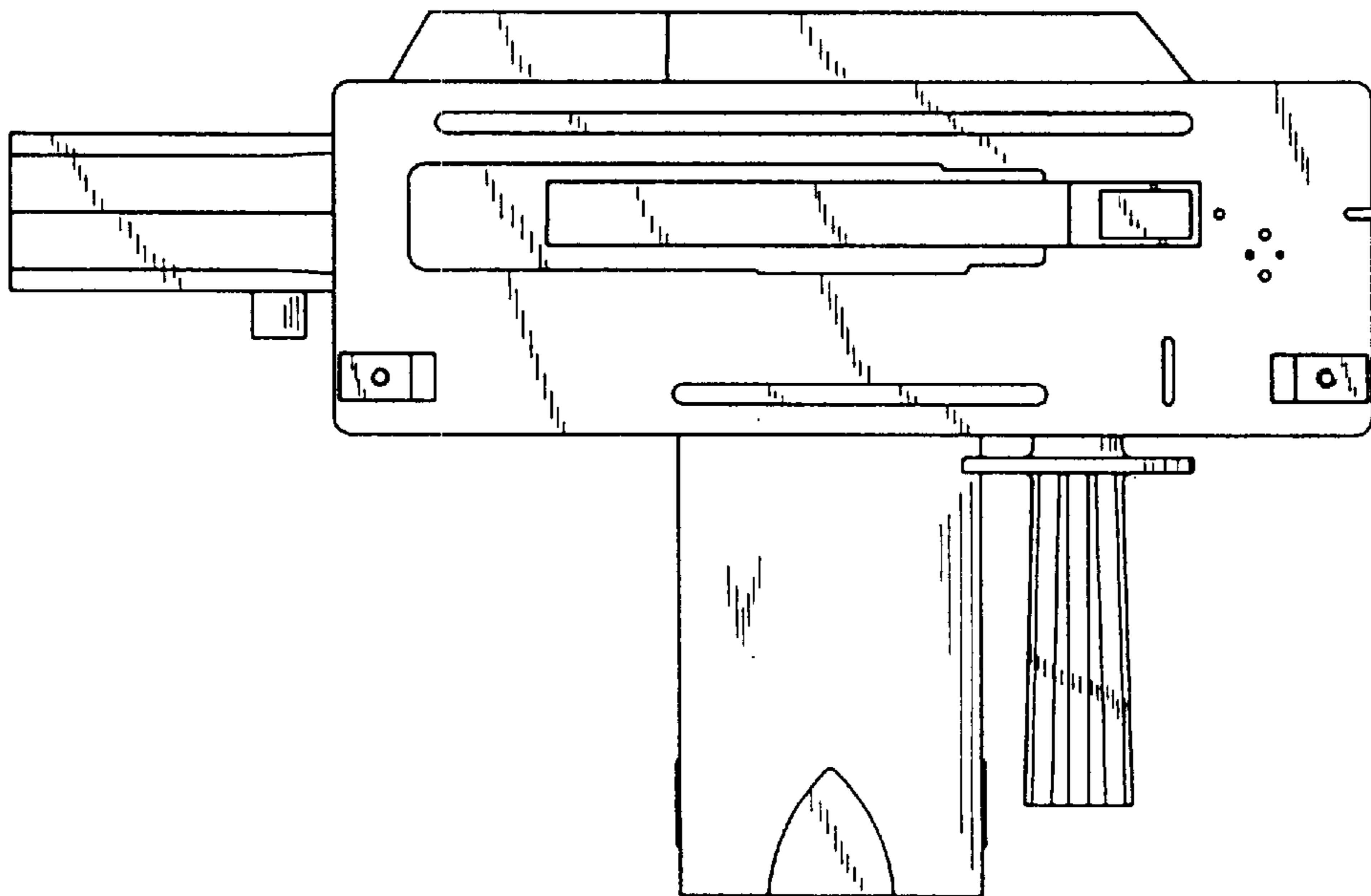


FIG. 5

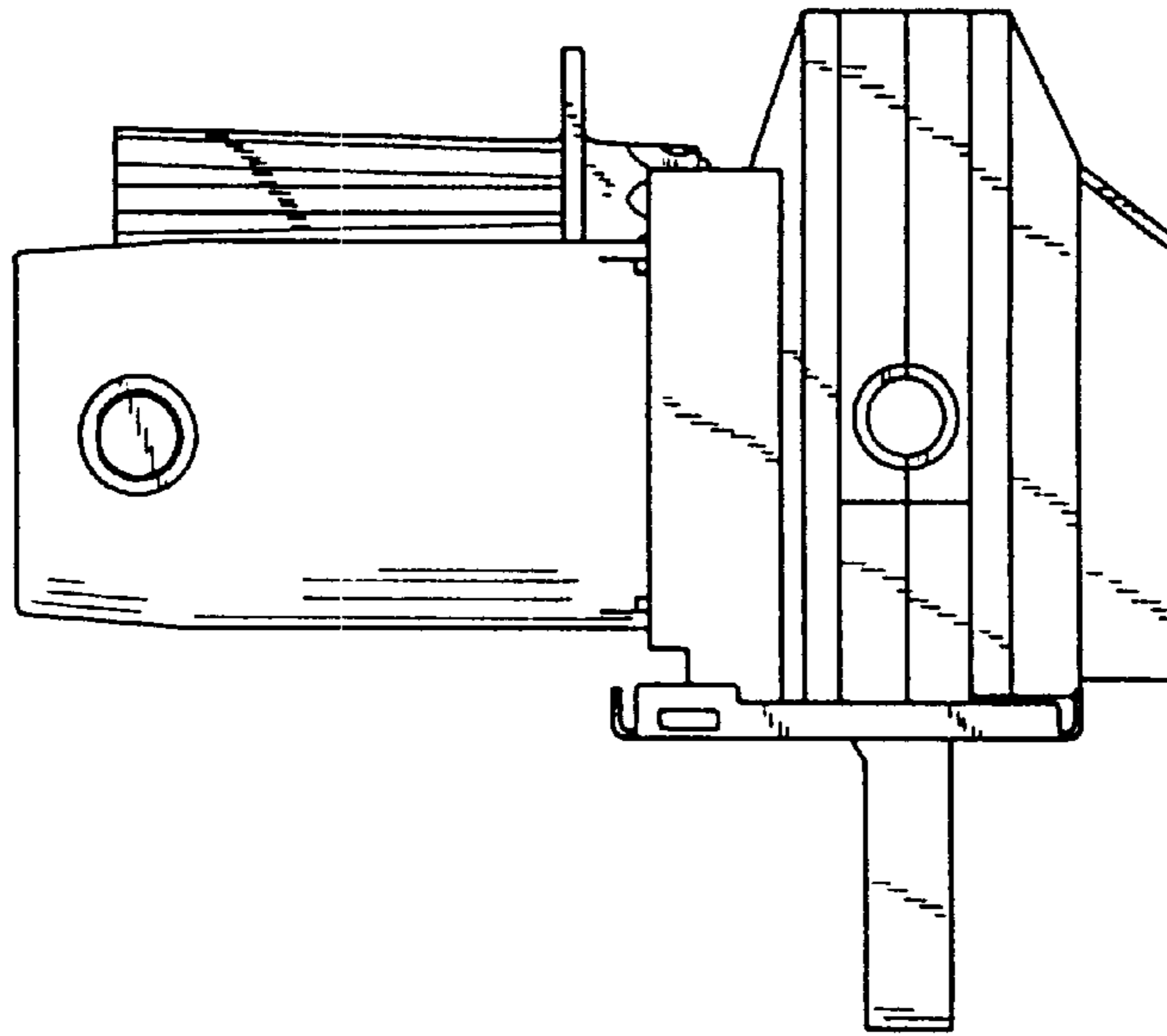


FIG. 6

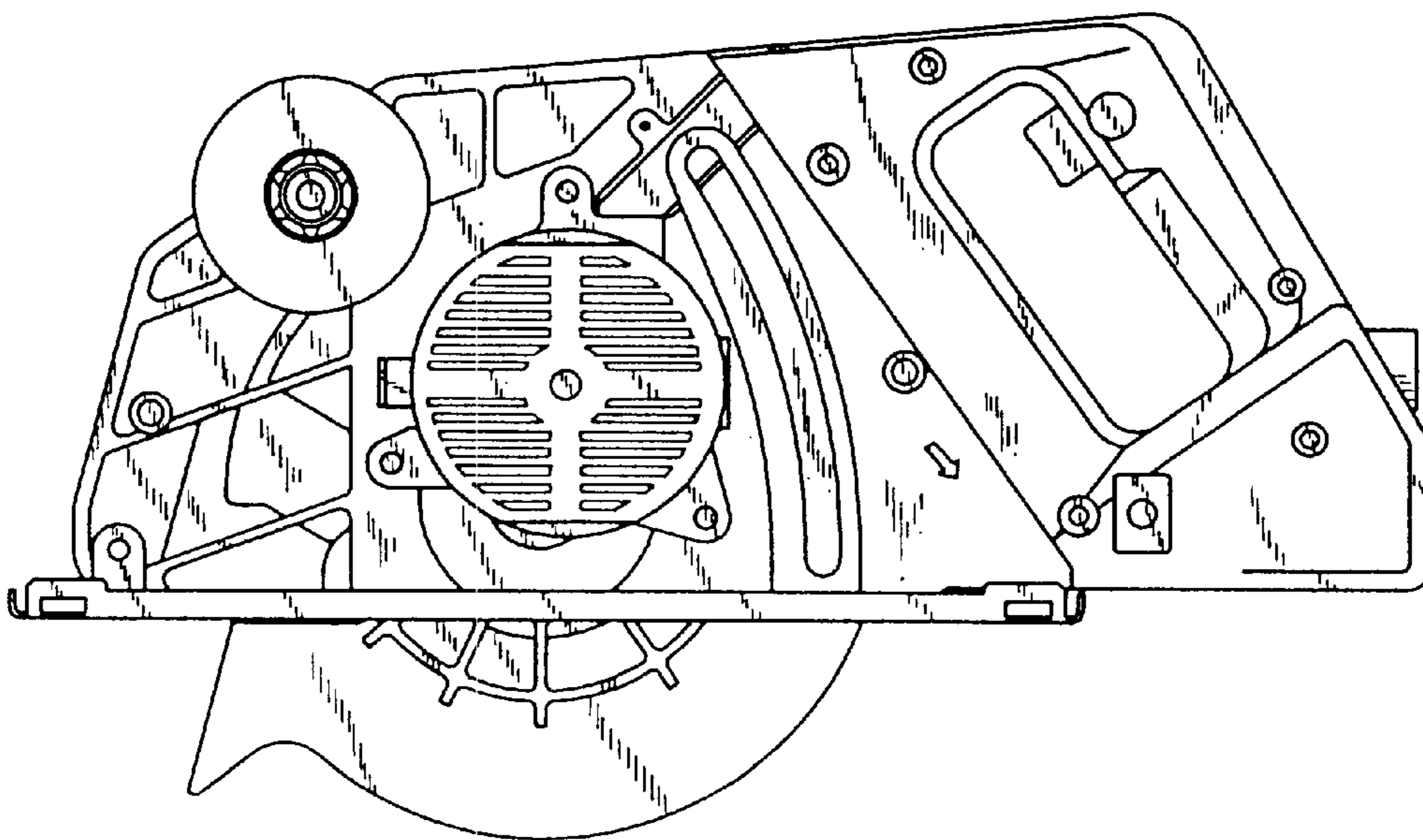


FIG. 7