



US00D415669S

United States Patent [19] Bolin

[11] Patent Number: **Des. 415,669**

[45] Date of Patent: **** Oct. 26, 1999**

[54] **STEPPED CLUTCH TOOL**

[76] Inventor: **Loyd Bolin**, 8714 E. 43rd St., Tulsa, Okla. 74145

[**] Term: **14 Years**

[21] Appl. No.: **29/090,816**

[22] Filed: **Jul. 16, 1998**

[51] **LOC (6) Cl.** **08-05**

[52] **U.S. Cl.** **D8/51**

[58] **Field of Search** D8/14, 51; 29/270, 29/274

D. 265,377	7/1982	Koskinen	D8/14
D. 398,822	9/1998	Webb	D8/14
2,044,067	6/1936	Eldridge et al.	29/274
4,564,994	1/1986	Marx	29/274

Primary Examiner—Alan P. Douglas
Assistant Examiner—Reid Hecker

[57] **CLAIM**

The ornamental design for a stepped clutch tool, as shown.

DESCRIPTION

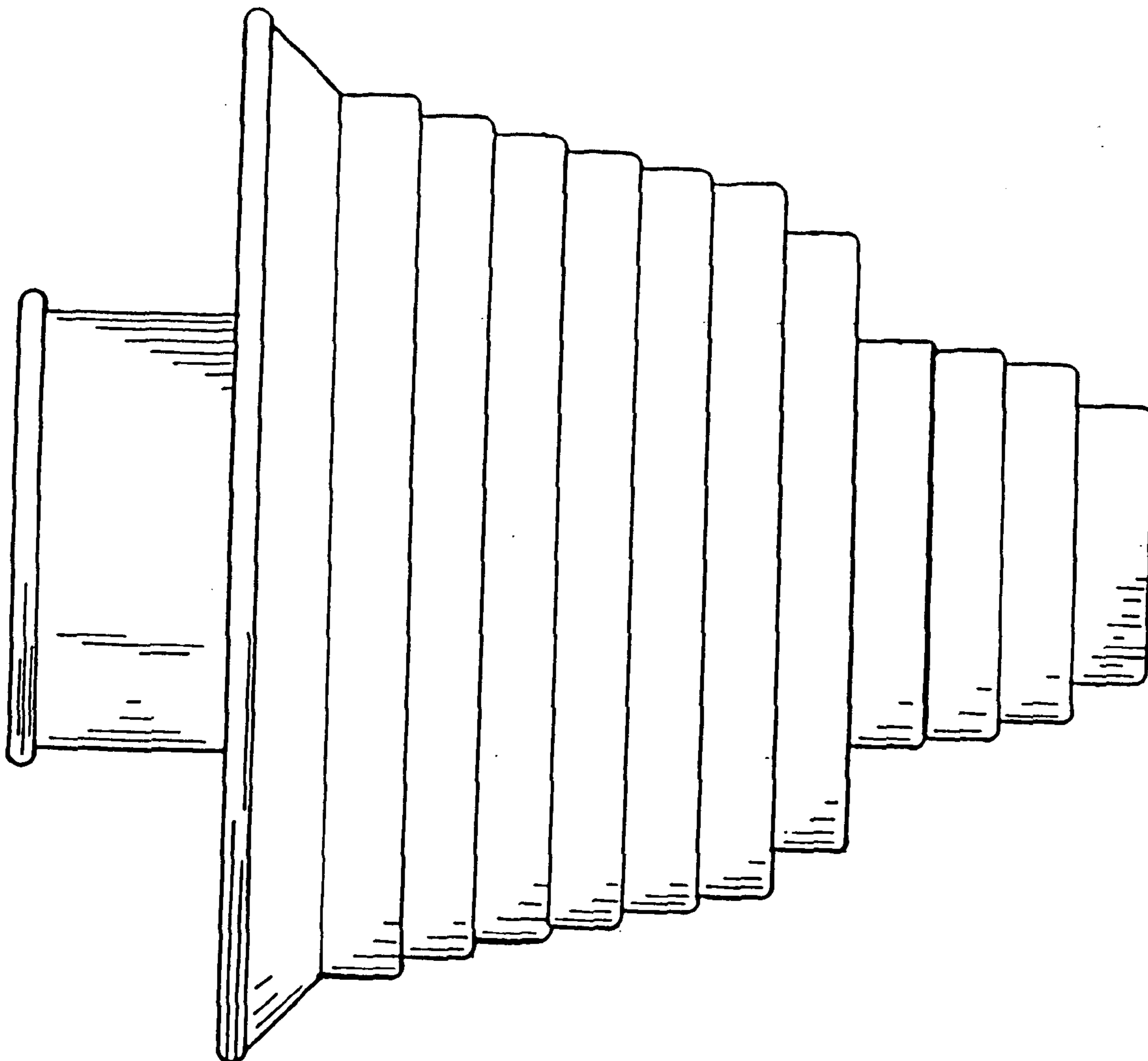
FIG. 1 is a front elevational view of a stepped clutch tool showing my new design;
FIG. 2 is a left side elevational view thereof;
FIG. 3 is a right side elevational view thereof; and,
FIG. 4 is an exploded view thereof.

[56] **References Cited**

U.S. PATENT DOCUMENTS

D. 26,638 2/1897 Meier D8/14

1 Claim, 3 Drawing Sheets



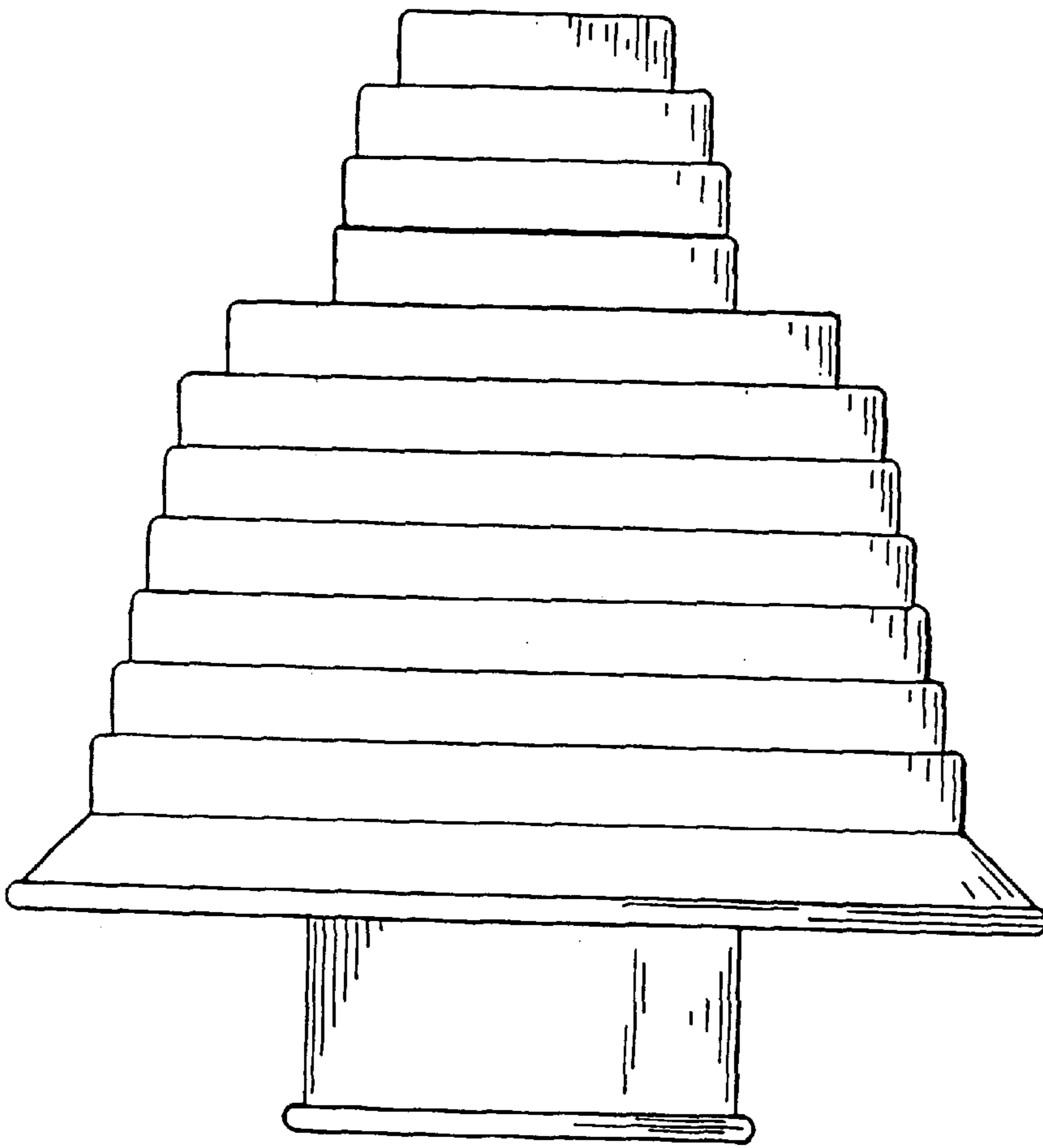


Fig. 1

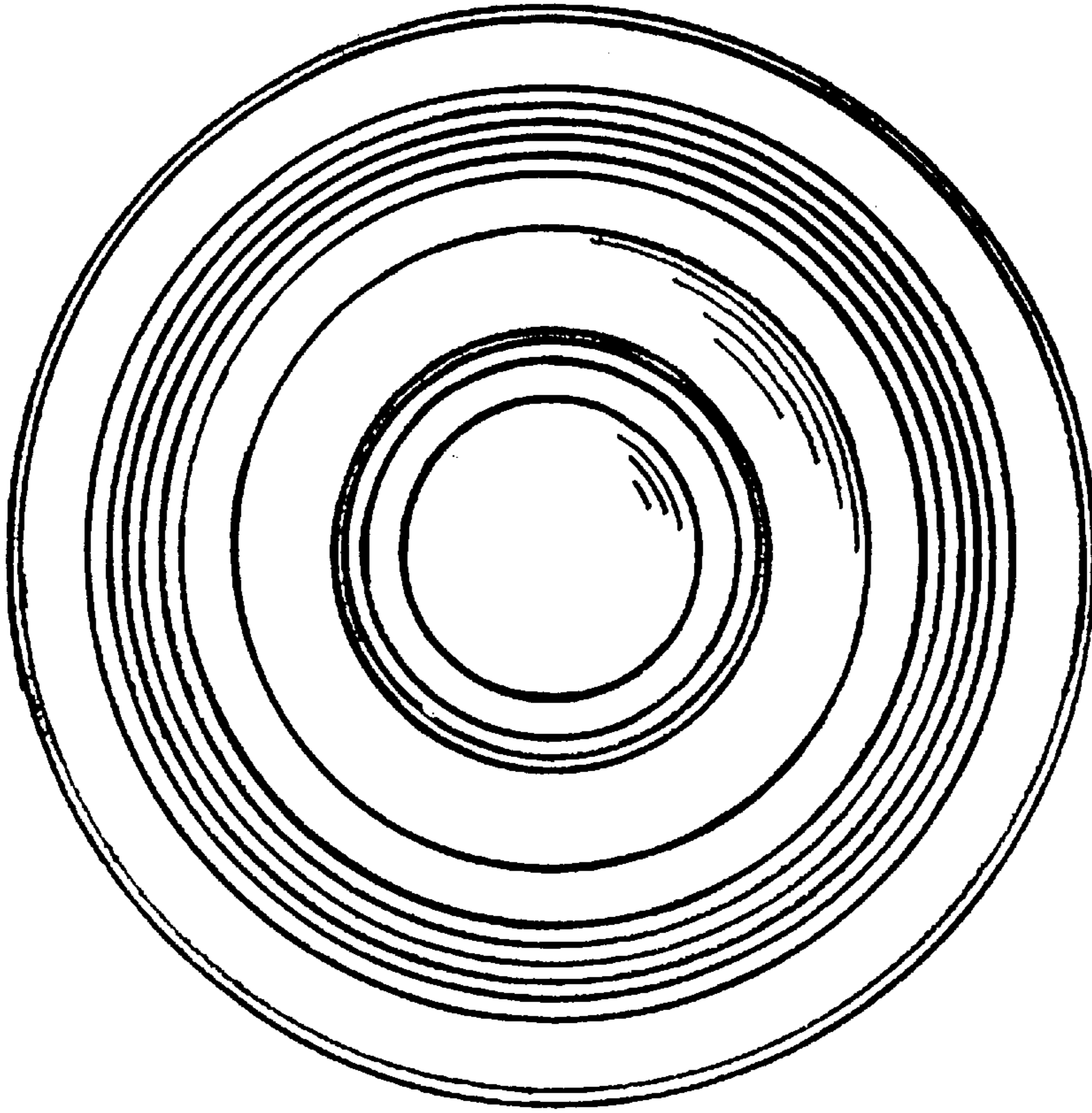


Fig. 3

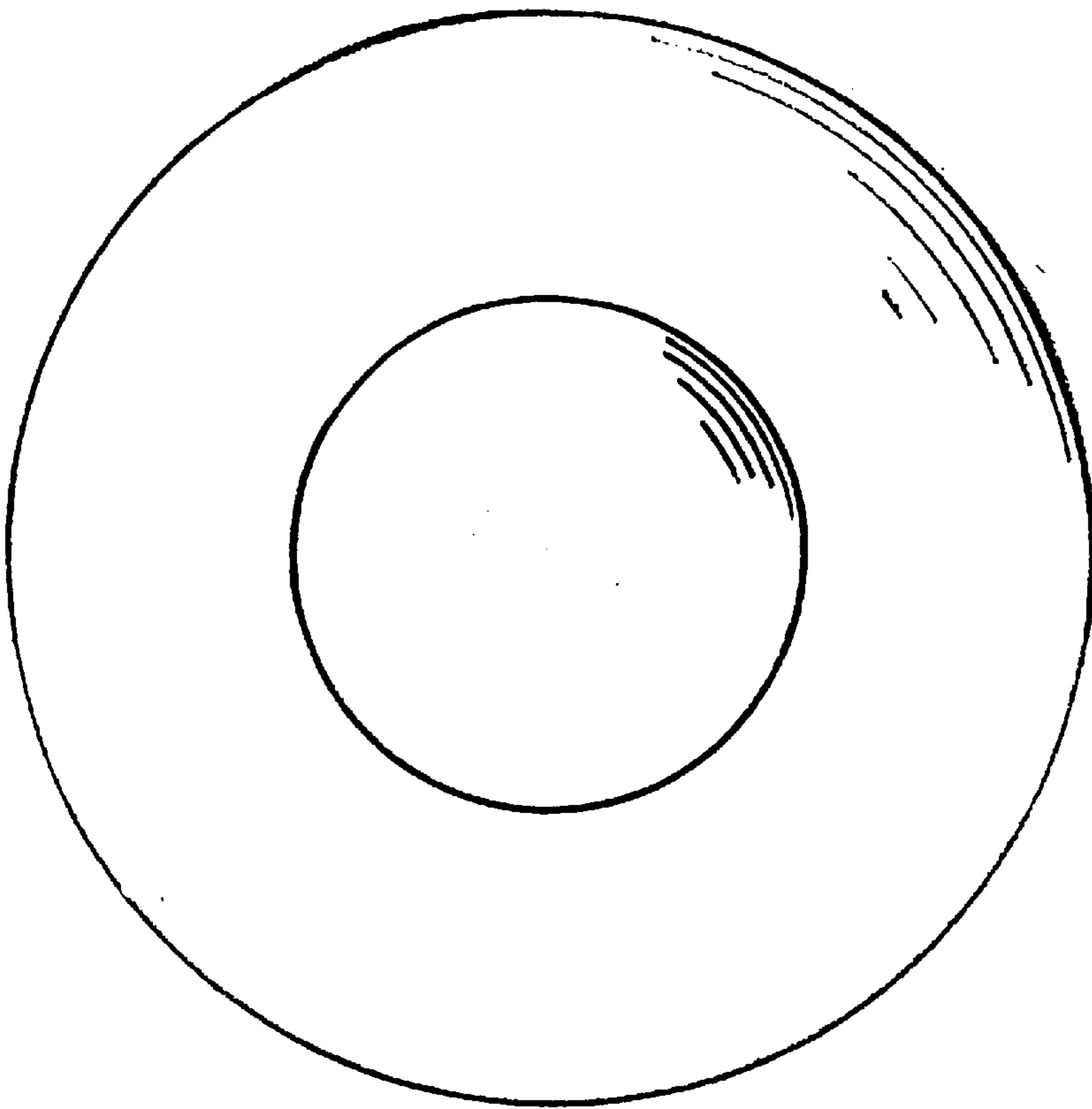


Fig. 2

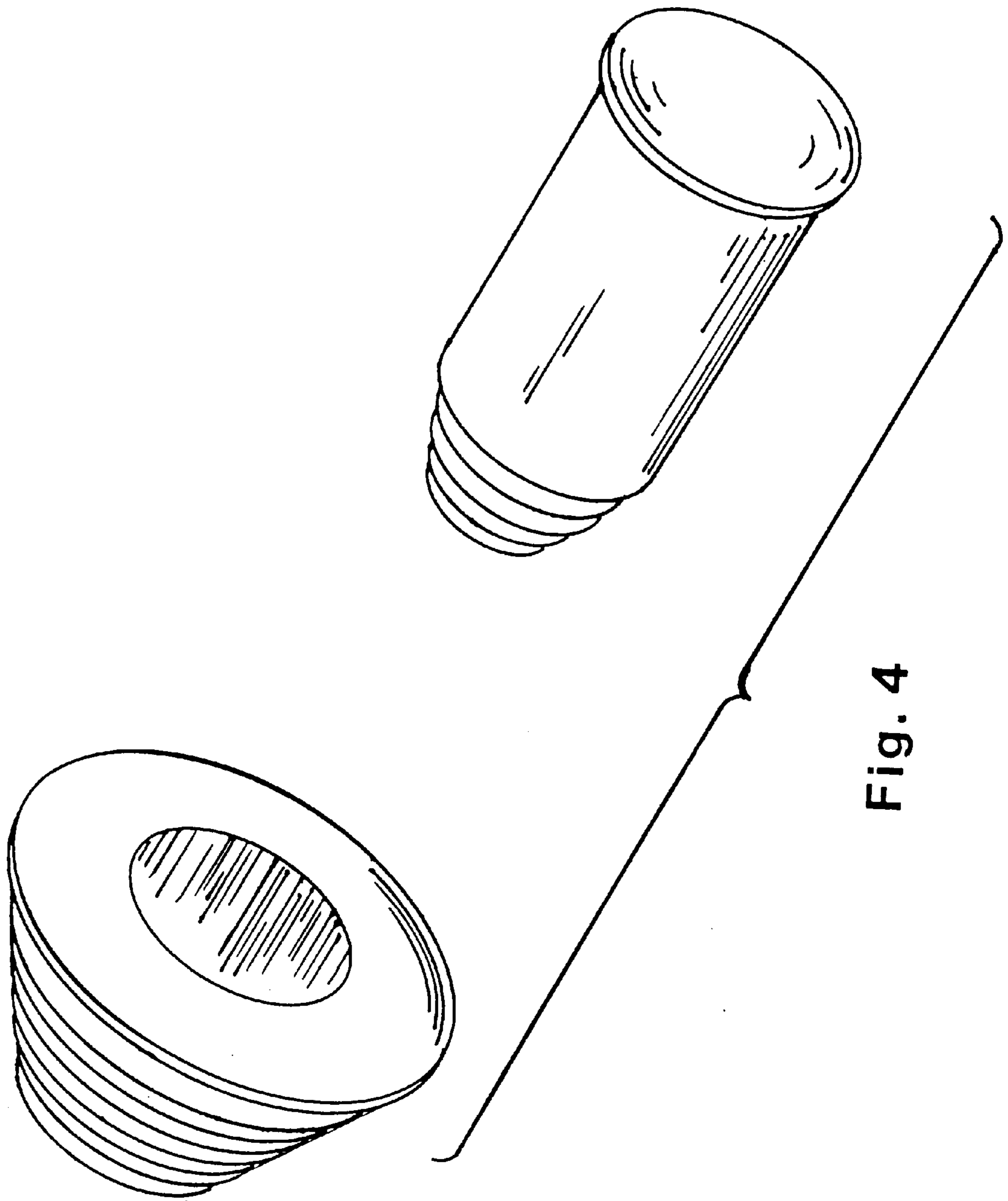


Fig. 4