



US00D415667S

United States Patent [19] de Bergen

[11] **Patent Number: Des. 415,667**

[45] **Date of Patent: ** Oct. 26, 1999**

[54] **LEVER-TYPE CORK EXTRACTOR**

[75] Inventor: **Stephane de Bergen**, Moret-Sur-Long, France

[73] Assignee: **LeCreuset, S.A.**, LeGrand, France

[**] Term: **14 Years**

[21] Appl. No.: **29/096,073**

[22] Filed: **Nov. 4, 1998**

390,183 9/1888 Morgan 81/3.09
2,725,622 12/1955 Geier 30/447
4,253,351 3/1981 Allen 81/3.29

OTHER PUBLICATIONS

Chef'Catalog; p. 59; Item #1897 Lever Corkscrew; upper right of page. Gifts 1995 catalog, Jul. 5, 1995.

Primary Examiner—Caron D. Veynar
Attorney, Agent, or Firm—Browning Bushman

Related U.S. Application Data

[62] Division of application No. 29/085,975, Apr. 1, 1998.

[51] **LOC (6) Cl.** **07-06**

[52] **U.S. Cl.** **D8/42**

[58] **Field of Search** D8/33-43; 7/151-156;
30/400, 450; 81/3.07, 3.09, 3.2, 3.31, 3.29,
3.55, 3.48

DESCRIPTION

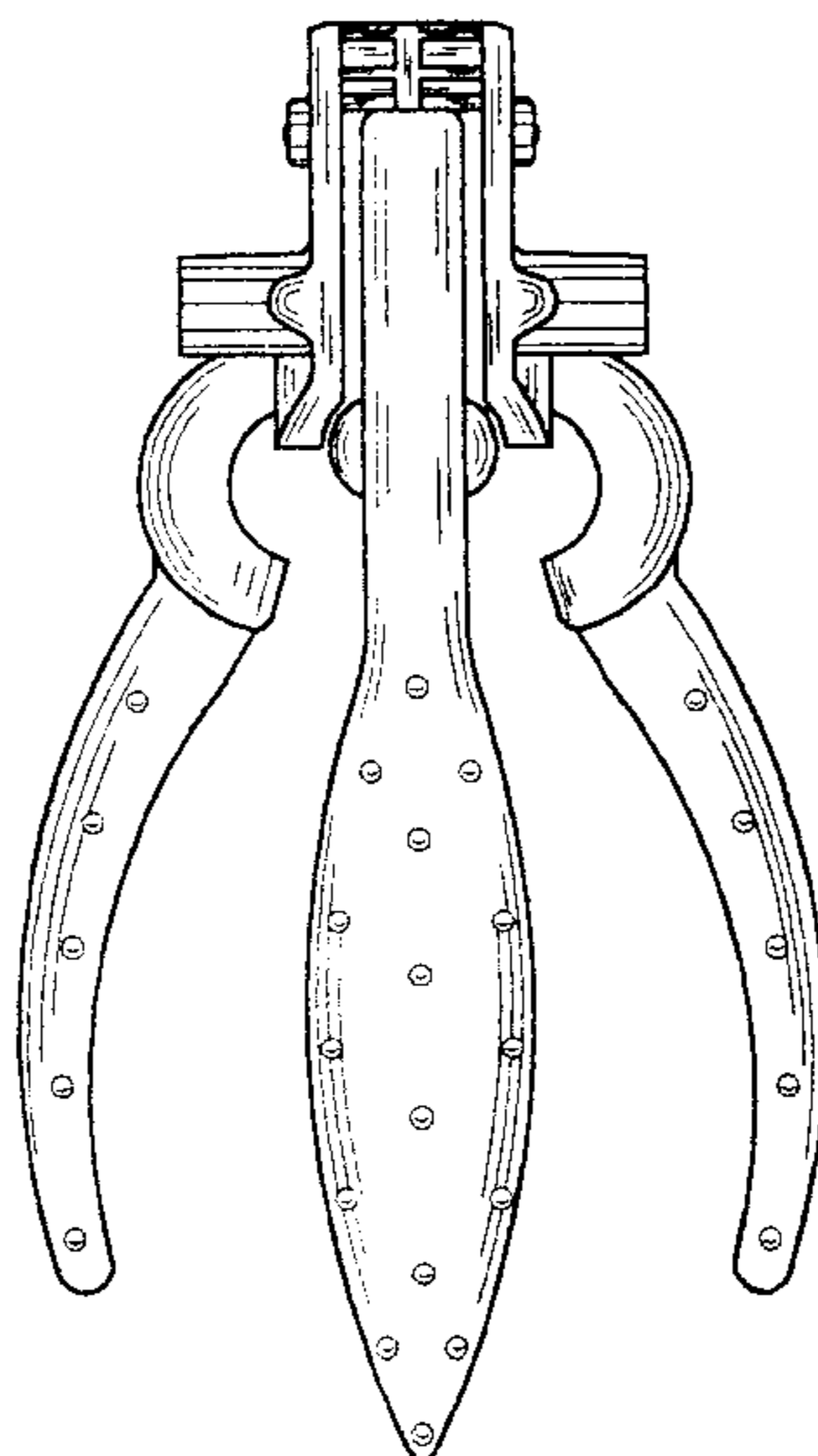
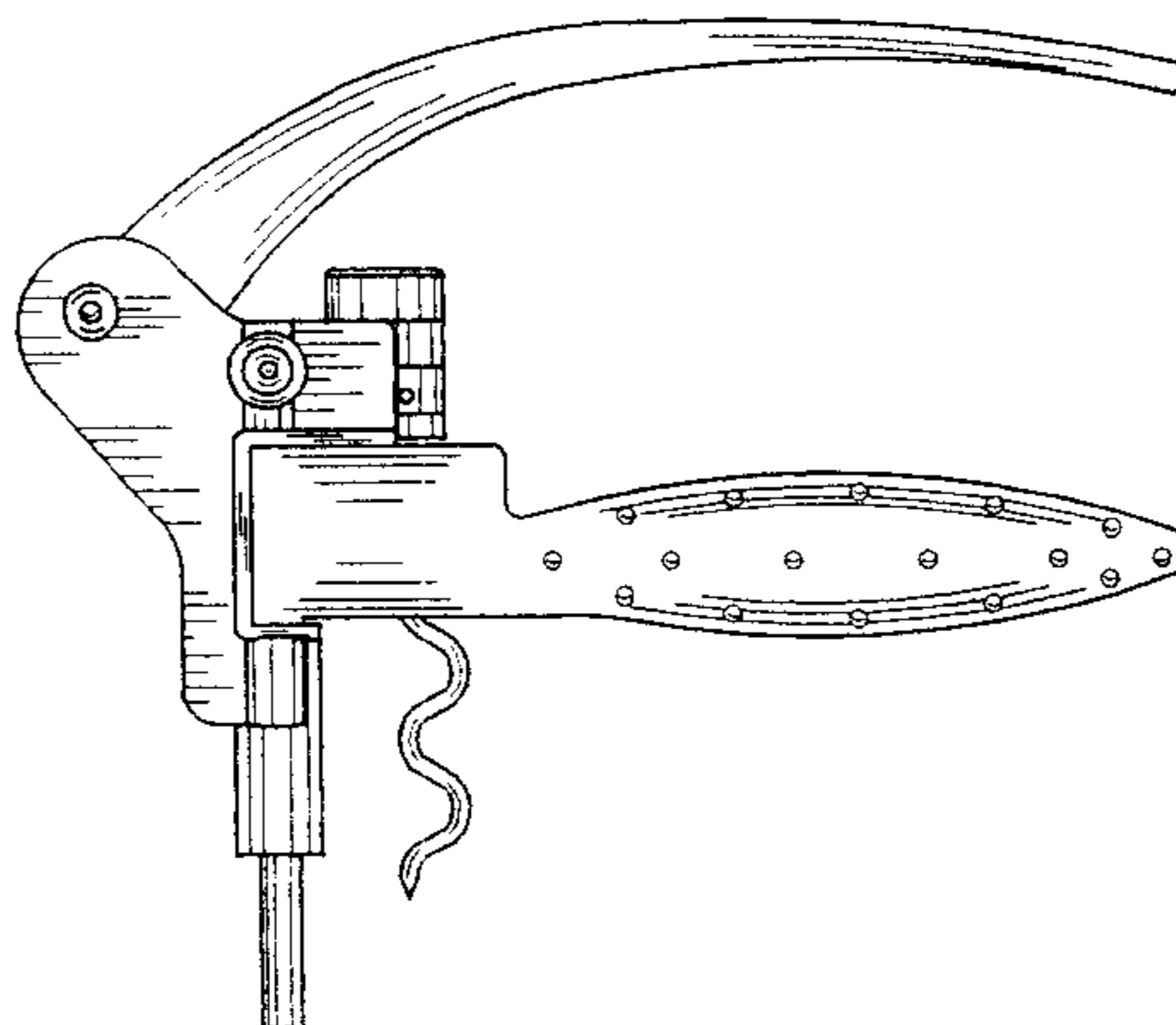
FIG. 1 is a right side elevation view of a lever-type cork extractor showing my new design;
FIG. 2 is a left side elevation view thereof;
FIG. 3 is a top plan view thereof;
FIG. 4 is a bottom plan view thereof;
FIG. 5 is a left end elevation view thereof; and,
FIG. 6 is a right end elevation view thereof.

[56] **References Cited**

U.S. PATENT DOCUMENTS

D. 174,858 5/1955 Greco et al. D8/33

1 Claim, 2 Drawing Sheets



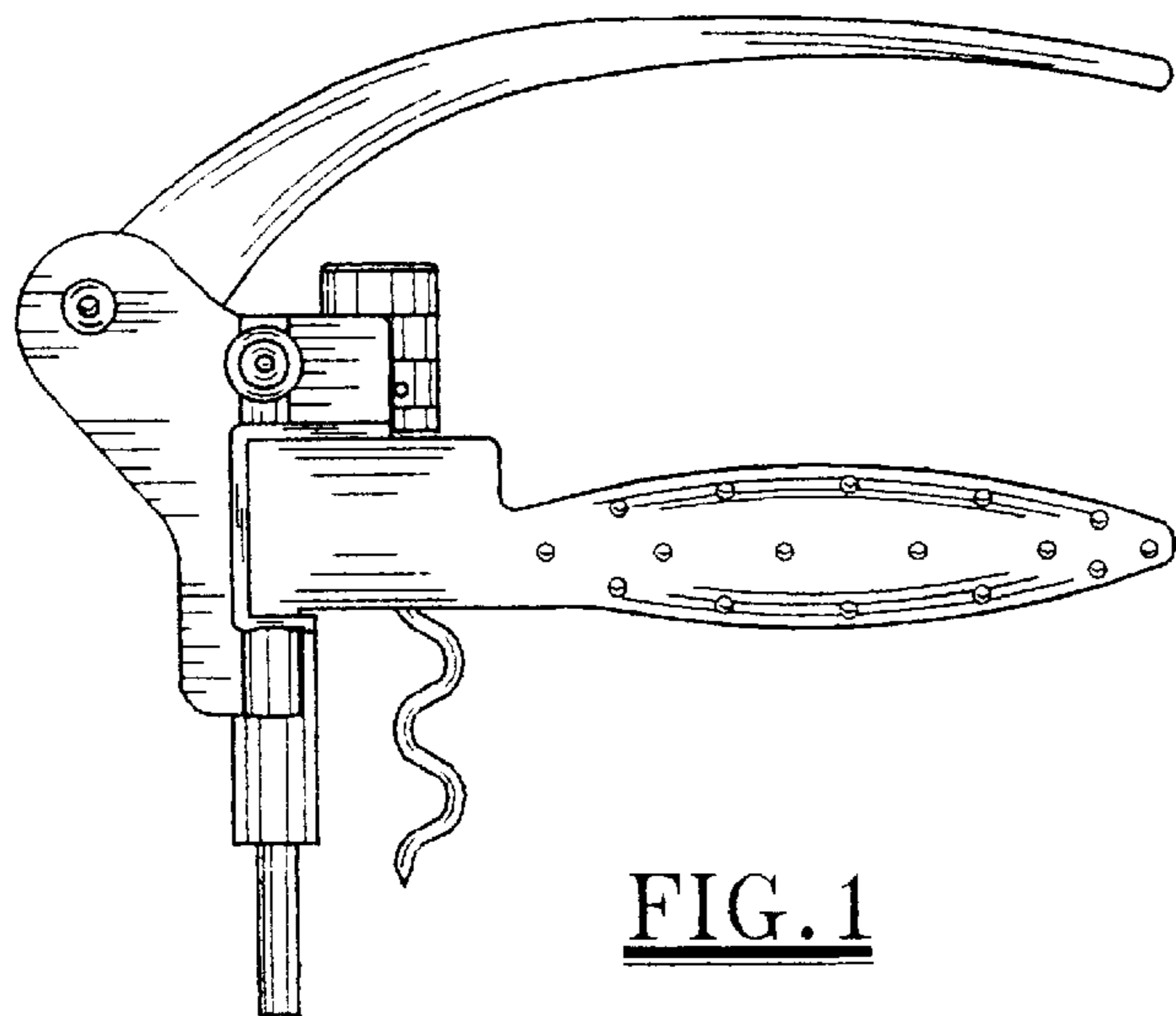


FIG. 1

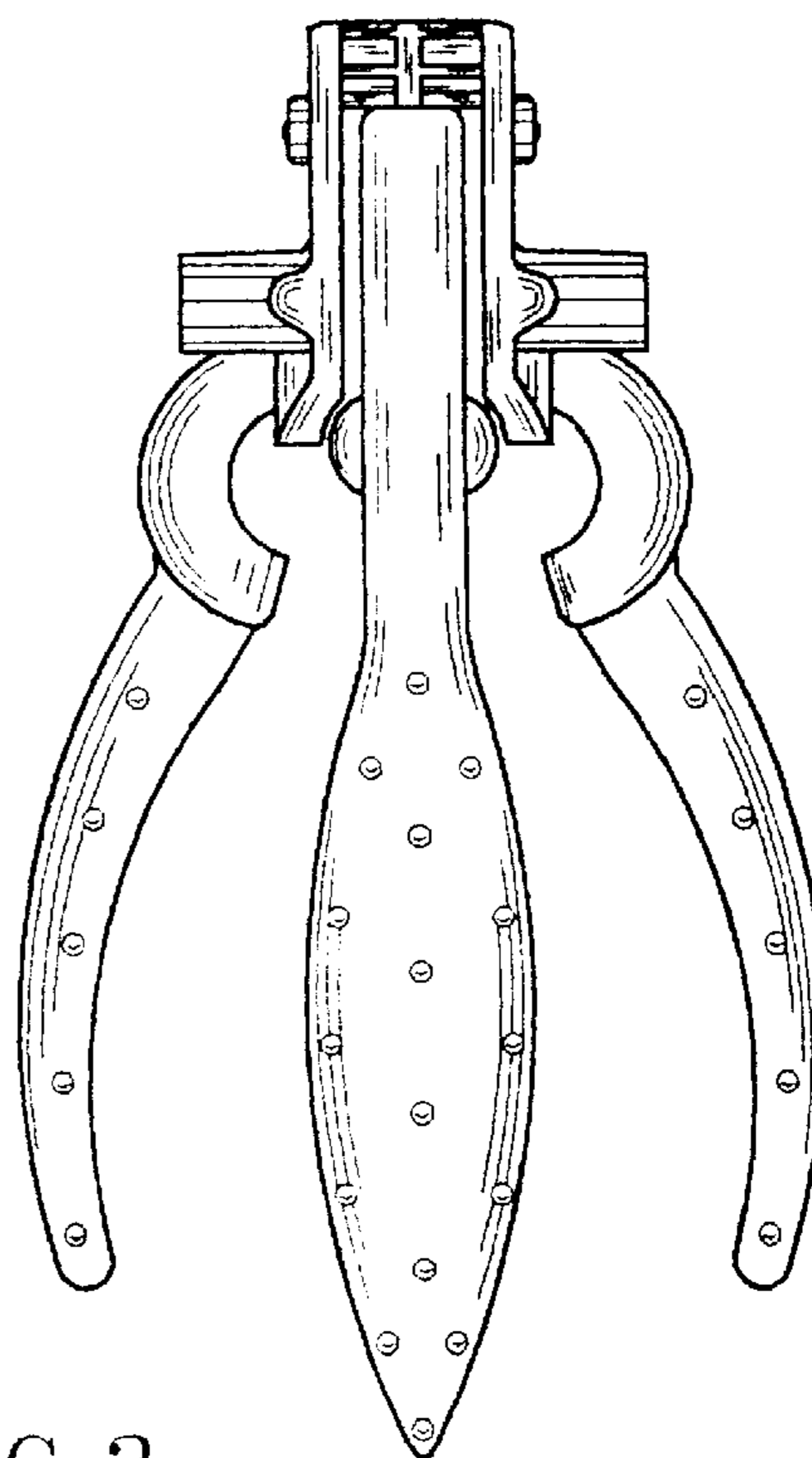


FIG. 3

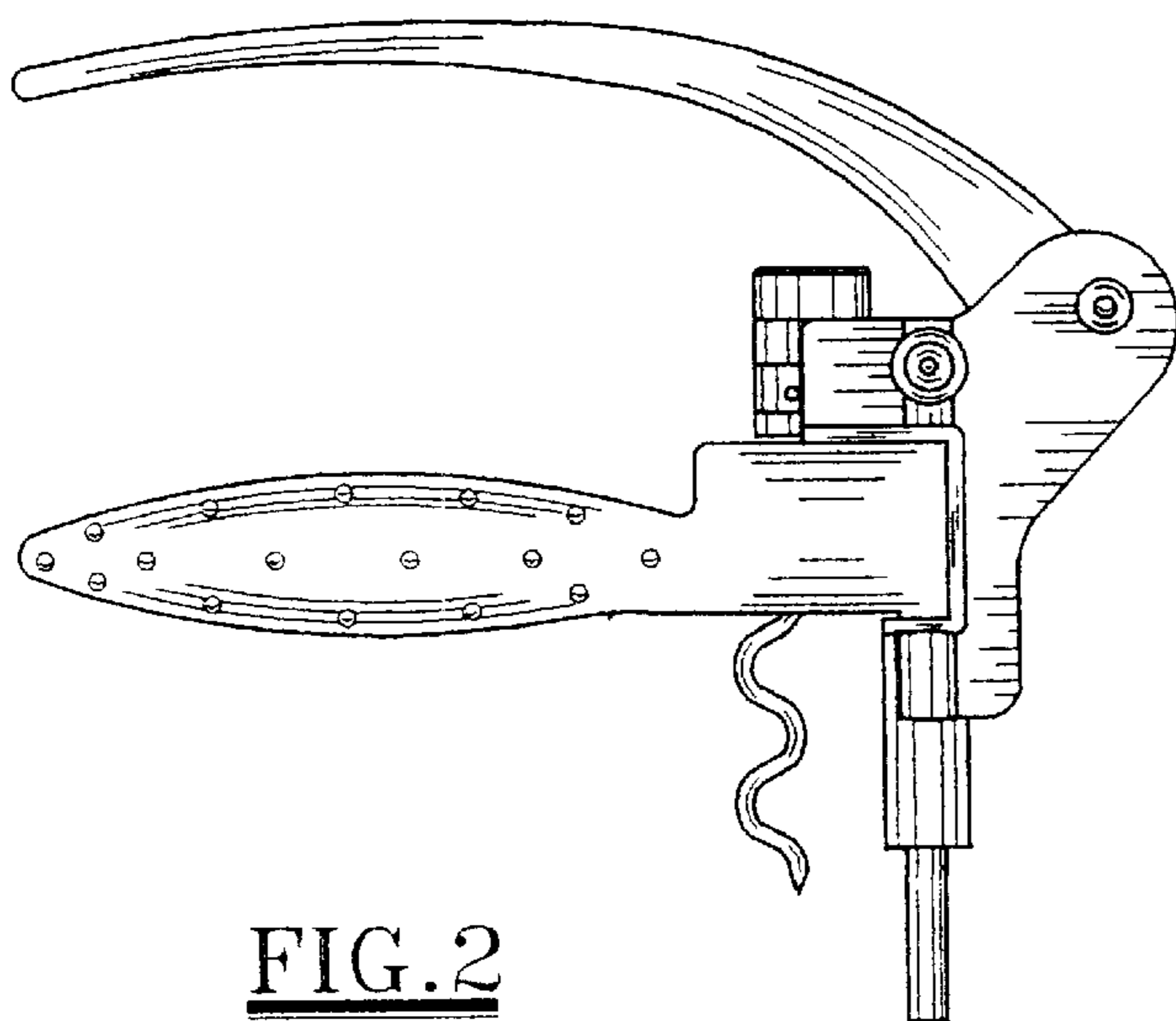


FIG. 2

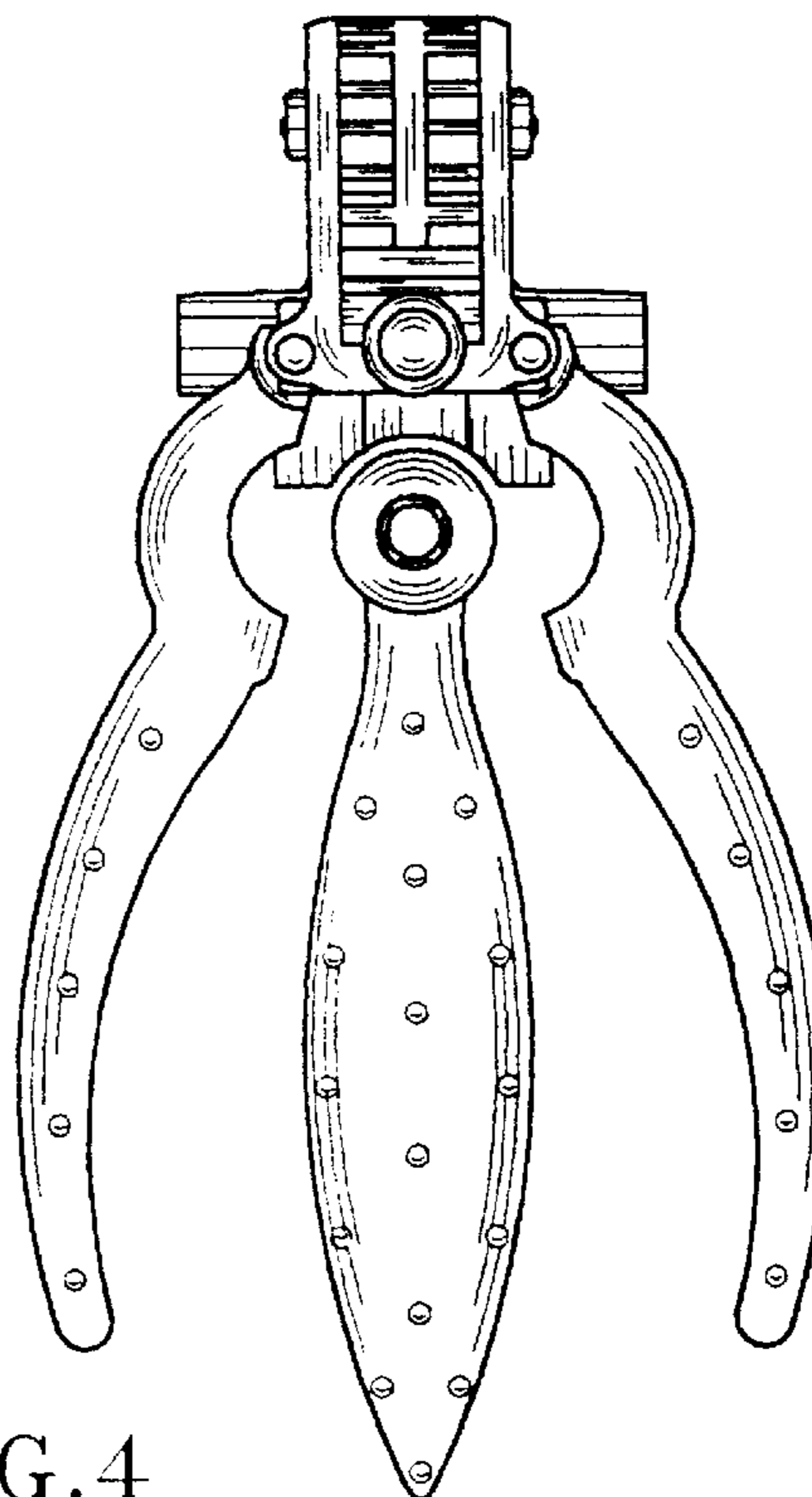


FIG. 4

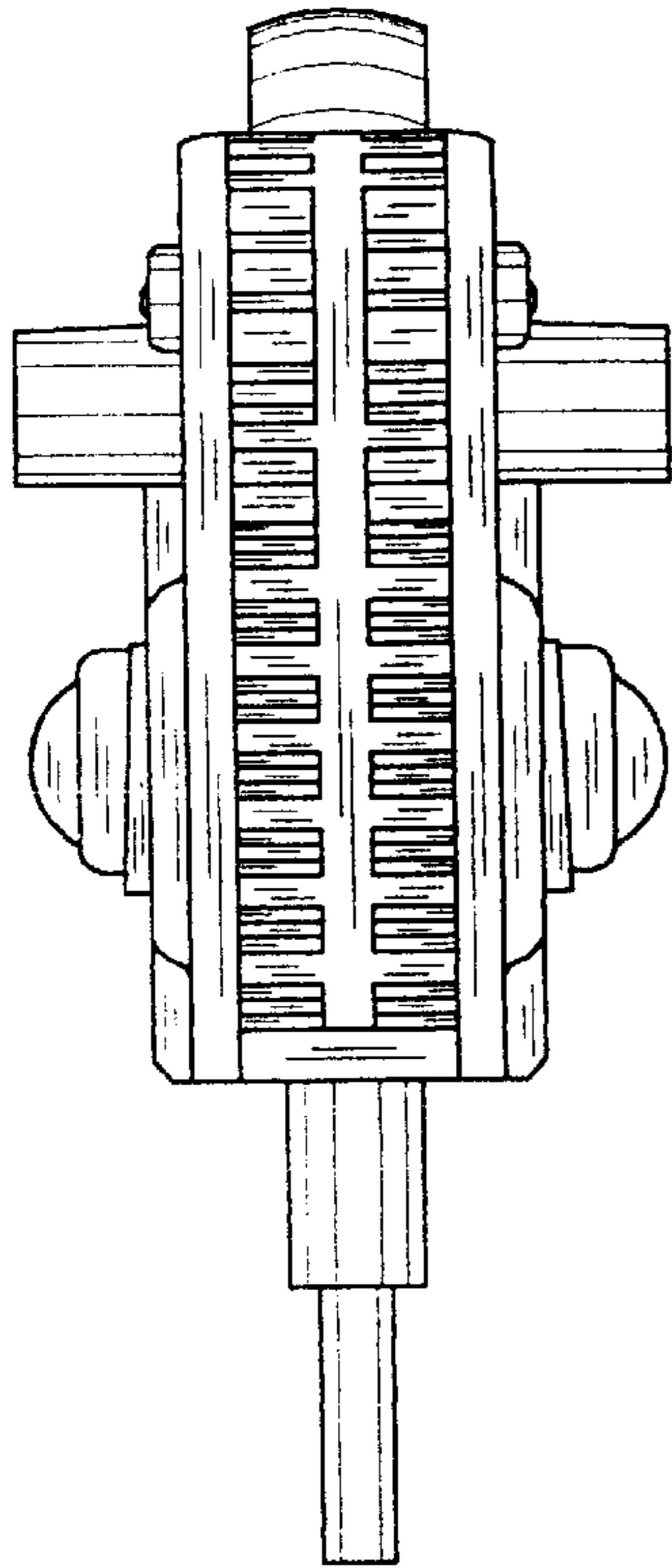


FIG. 5

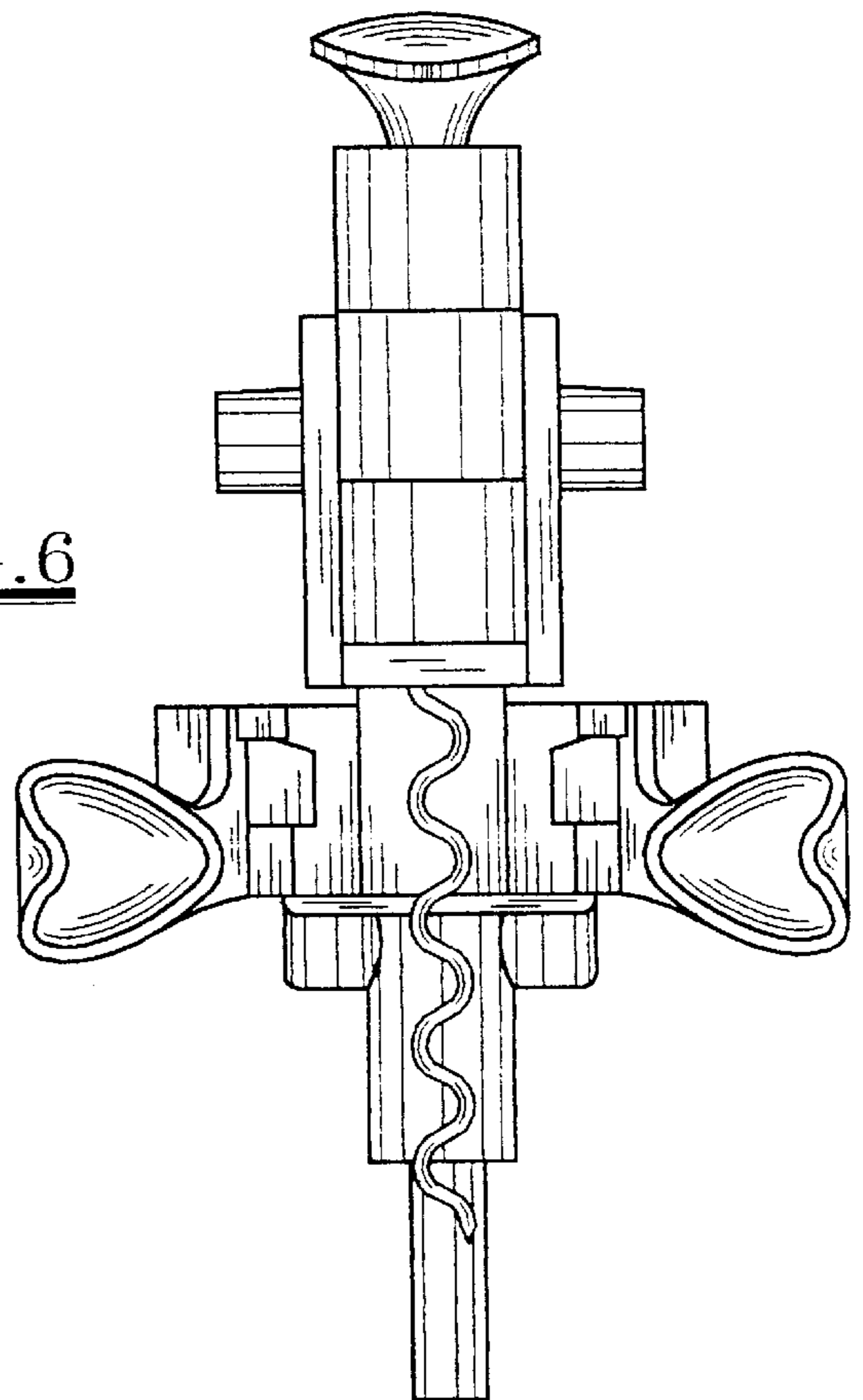


FIG. 6