



US00D415666S

United States Patent [19]

Ho

[11] Patent Number: **Des. 415,666**

[45] Date of Patent: **** Oct. 26, 1999**

[54] **CAN OPENER**

[75] Inventor: **Wong Lap Ho**, Tuen Mun, The Hong Kong Special Administrative Region of the People's Republic of China

[73] Assignee: **Maxpat Trading & Marketing (Far East) Limited**, Tsimhatsui, The Hong Kong Special Administrative Region of the People's Republic of China

[**] Term: **14 Years**

[21] Appl. No.: **29/098,803**

[22] Filed: **Jan. 6, 1999**

[51] **LOC (6) Cl.** **07-99**

[52] **U.S. Cl.** **D8/39; D8/41**

[58] **Field of Search** **D8/33-43, 18, D8/19; 30/400-443; 81/3.07-3.49; 7/151-156**

[56] **References Cited**

U.S. PATENT DOCUMENTS

D. 269,150	5/1983	Schulein	D8/39
D. 269,151	5/1983	Schulein	D8/39
D. 292,866	11/1987	Barnett	D8/41

D. 303,072	8/1989	Ancona et al.	D8/39
D. 406,026	2/1999	So	D8/39
4,754,550	7/1988	Koo	30/417
5,022,159	6/1991	Cressman et al.	30/418
5,181,322	1/1993	Koo	30/416
5,197,197	3/1993	Aimmighofen et al.	30/416
5,692,309	12/1997	Pereira	30/417

Primary Examiner—Jeffrey Asch
Attorney, Agent, or Firm—Nims, Howes, Collison, Hansen & Lackert

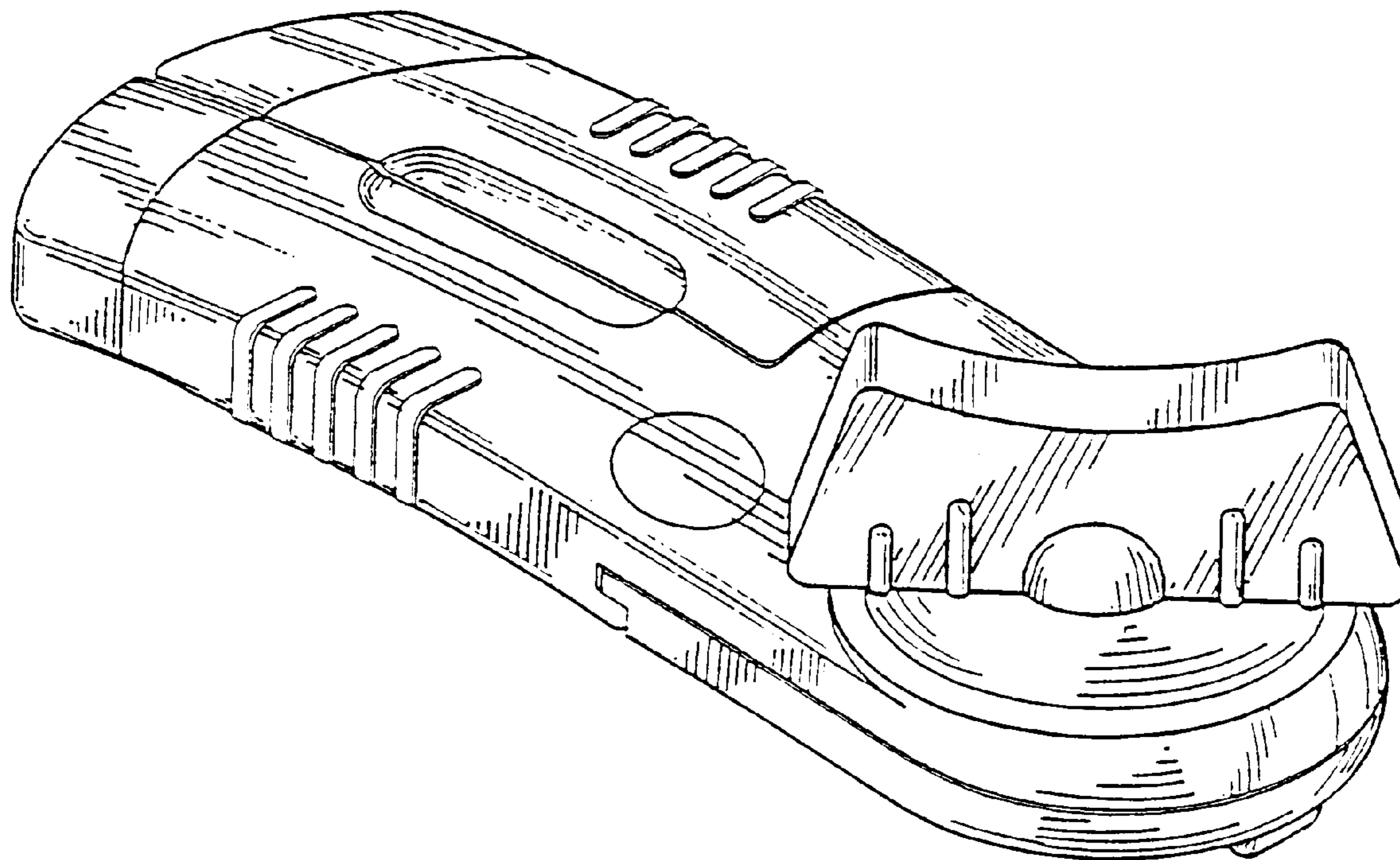
[57] **CLAIM**

The ornamental design for a can opener, as shown and described.

DESCRIPTION

FIG. 1 is a perspective view of a can opener depicting the design of my invention;
FIG. 2 is a top plan view thereof;
FIG. 3 is a side elevational view thereof;
FIG. 4 is an opposite side elevational view thereof;
FIG. 5 is a bottom plan view thereof;
FIG. 6 is an end elevational view thereof; and,
FIG. 7 is an opposite end elevational view thereof.

1 Claim, 4 Drawing Sheets



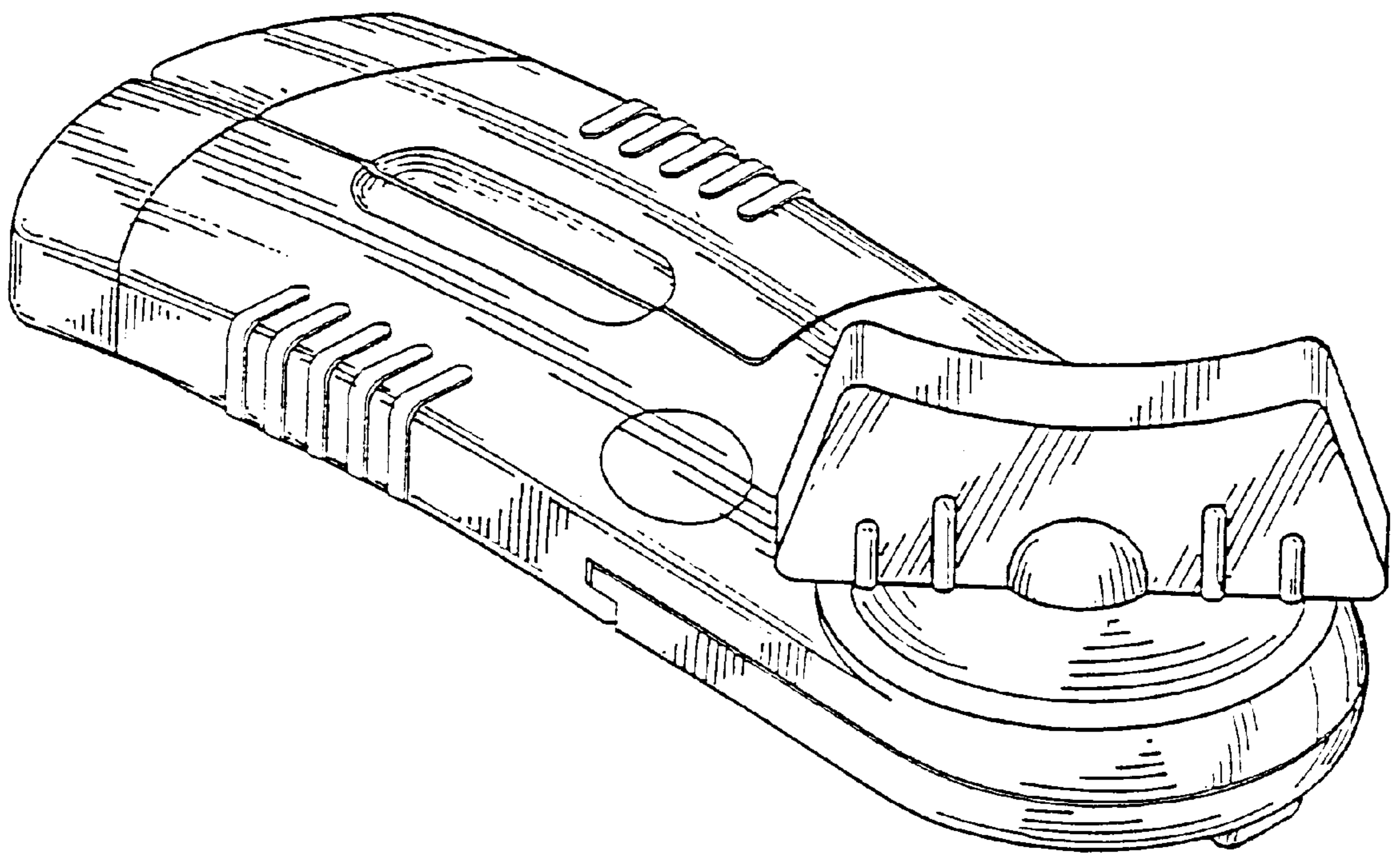


FIG. 1

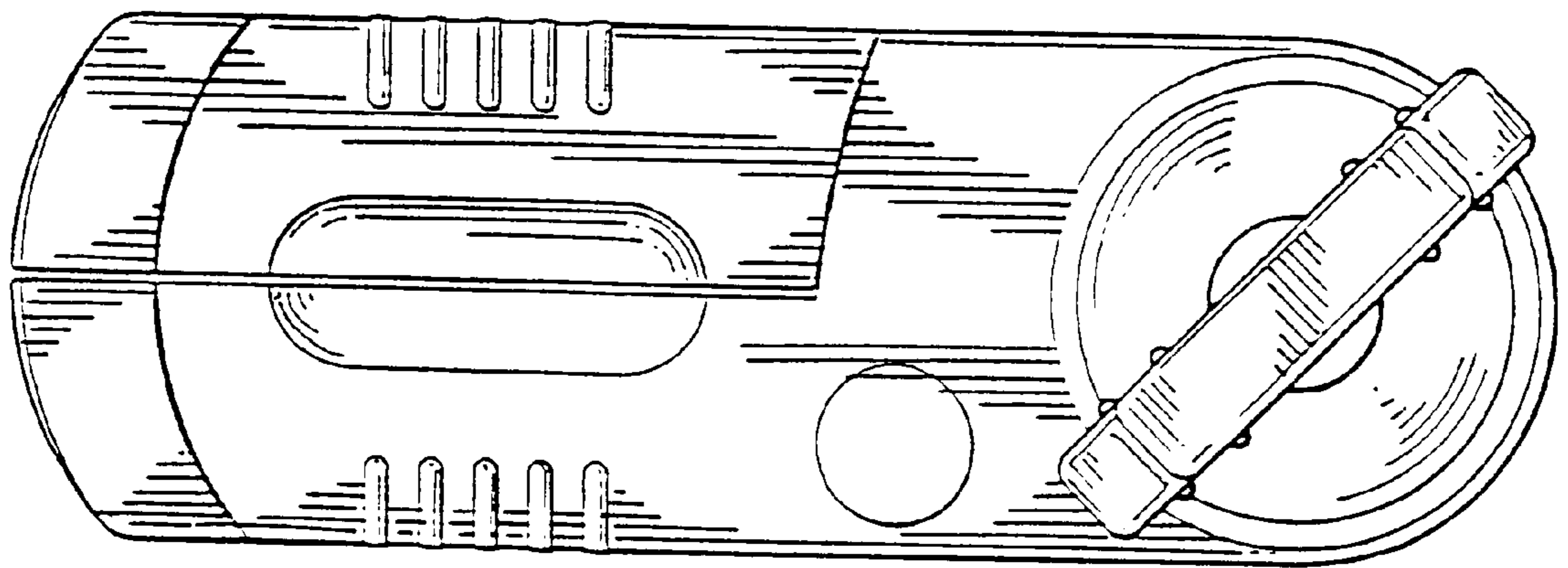


FIG. 2

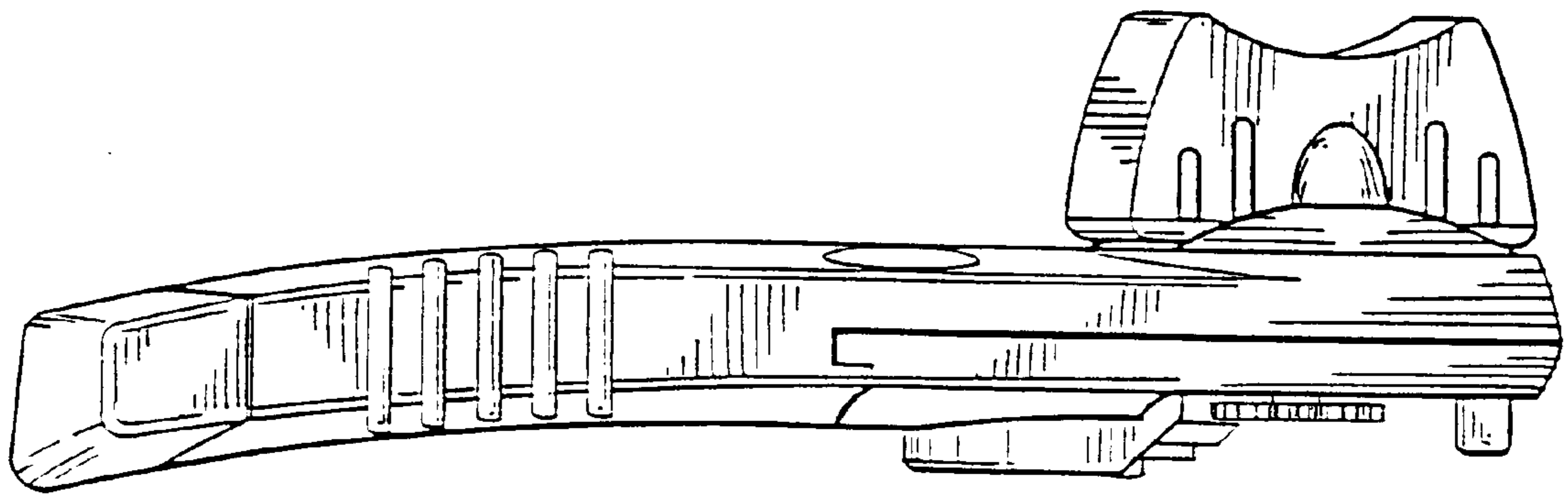


FIG. 3

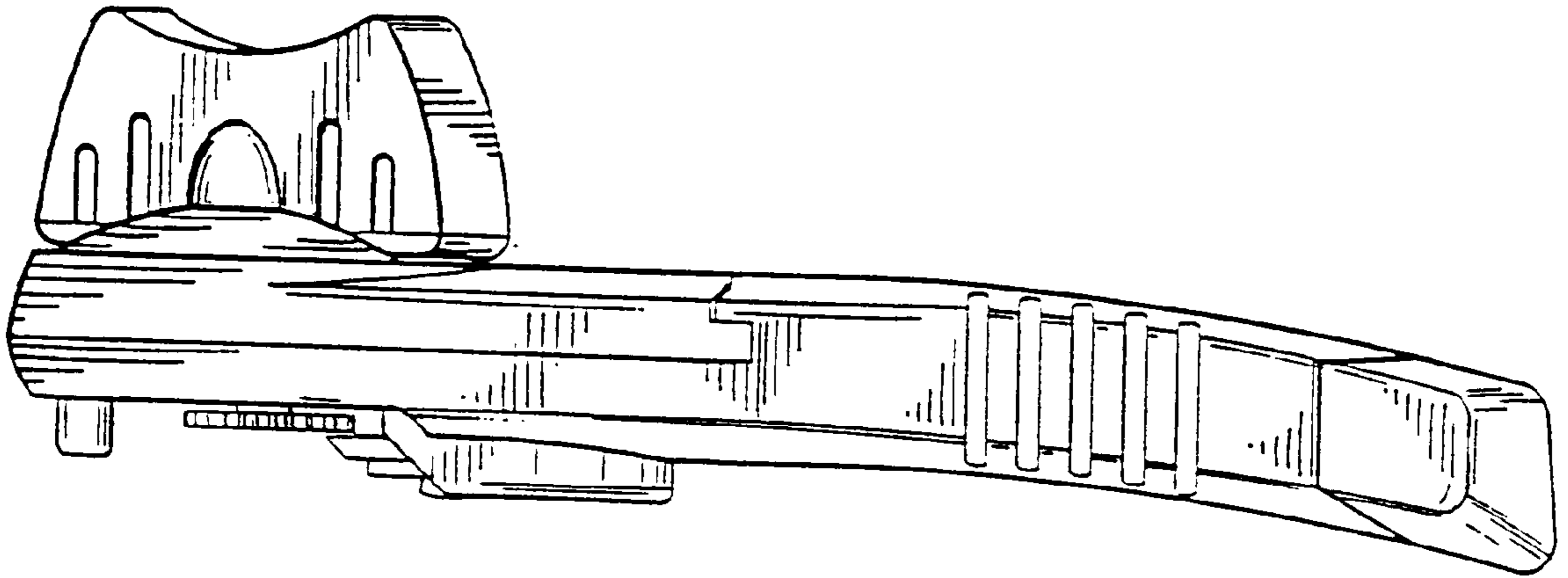


FIG. 4

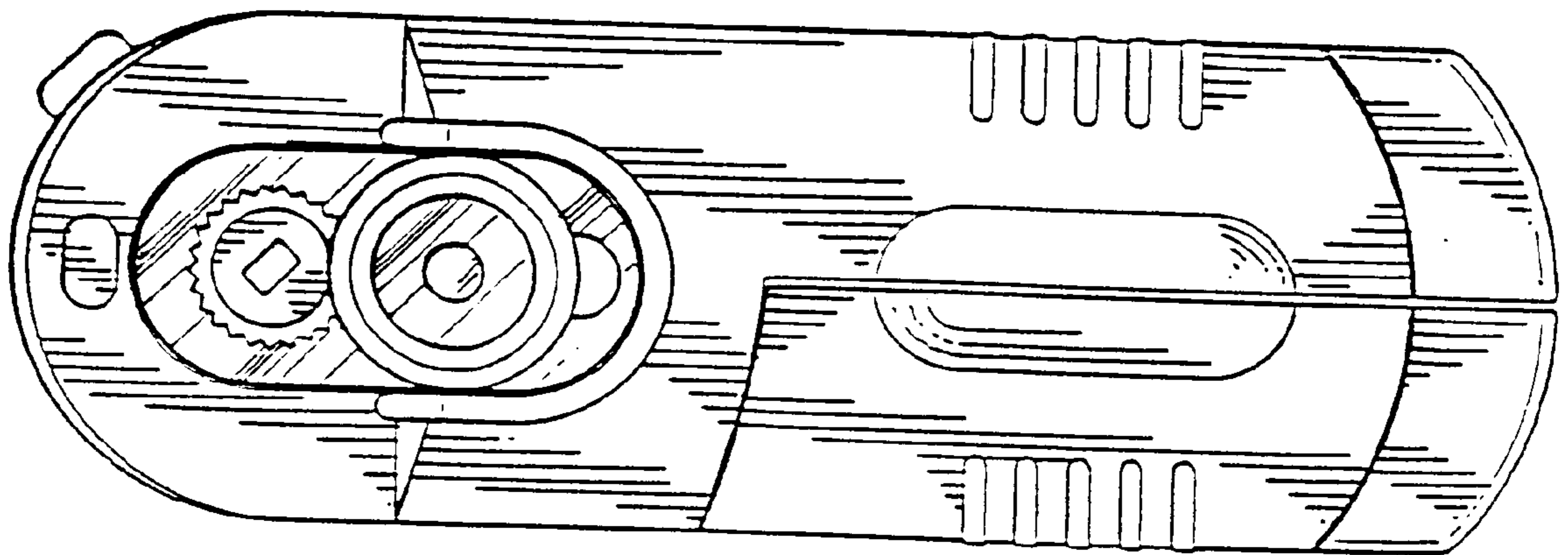


FIG. 5

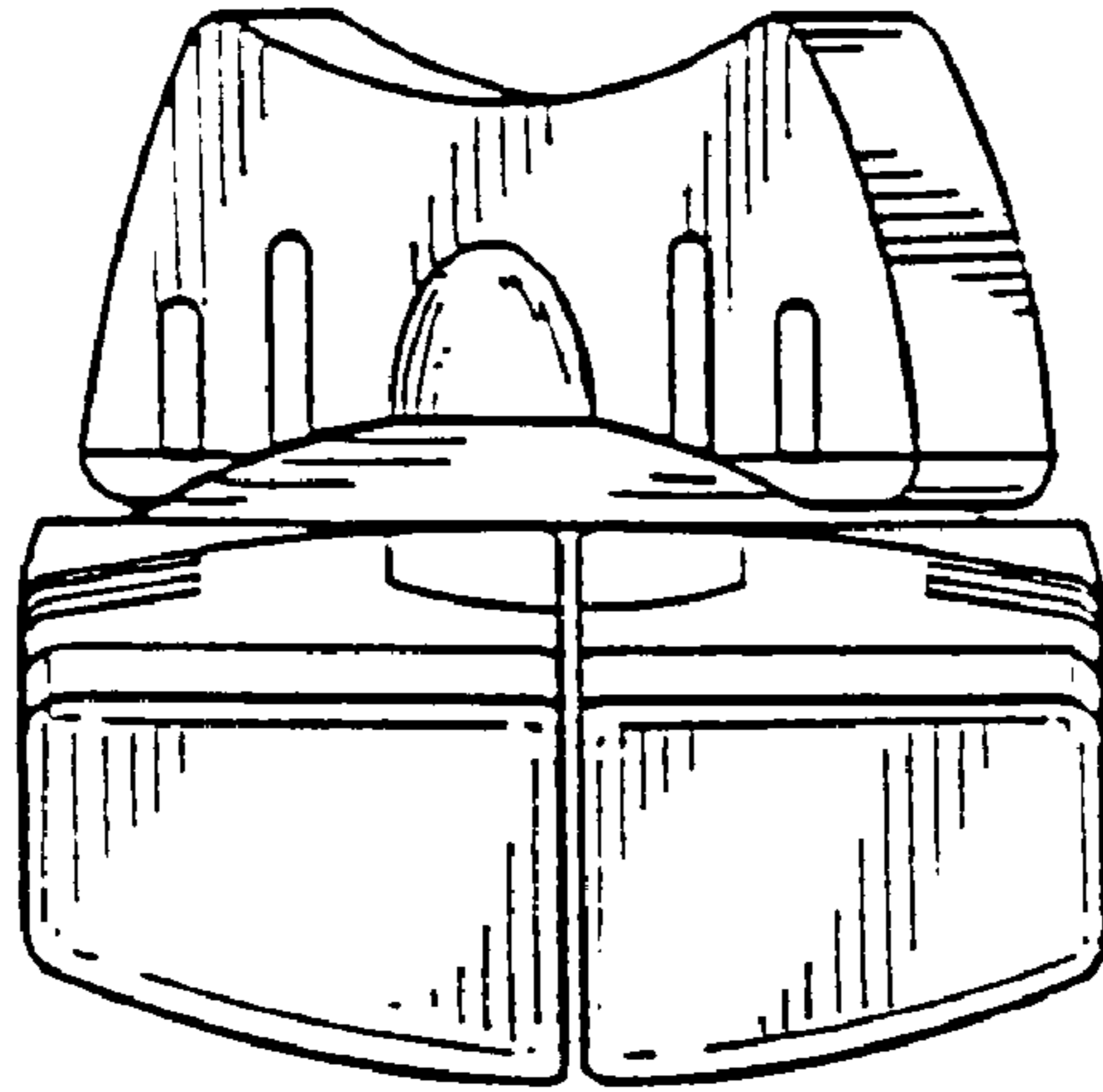


FIG. 6

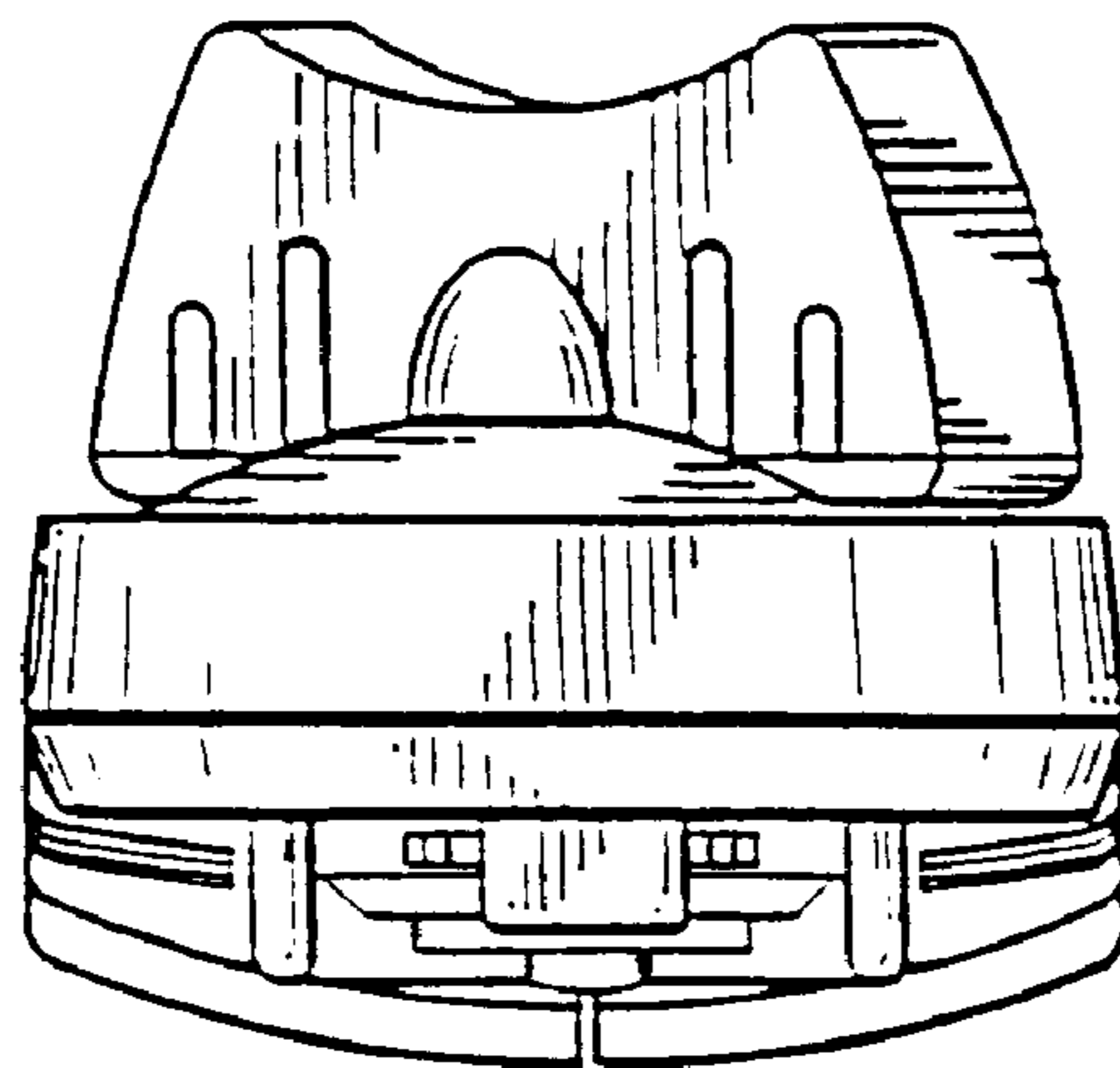


FIG. 7