



US00D415661S

United States Patent [19]
Georgeovich

[11] **Patent Number: Des. 415,661**

[45] **Date of Patent: ** Oct. 26, 1999**

[54] **CUTTING BOARD FOR A DOUBLE SINK**

[76] Inventor: **Christopher P. Georgeovich**, 158
Ironwood Dr., Pacheco, Calif. 94553

[**] Term: **14 Years**

[21] Appl. No.: **29/086,218**

[22] Filed: **Apr. 8, 1998**

[51] **LOC (6) Cl.** **07-04**

[52] **U.S. Cl.** **D7/698**

[58] **Field of Search** D7/698, 637, 638,
D7/388, 550.1, 552.2, 554.3; 269/289 R,
294, 302.1, 309; 452/194; 99/484

[56] **References Cited**

U.S. PATENT DOCUMENTS

D. 283,777	5/1986	Morin	D7/698
4,765,603	8/1988	Huppert	269/302.1
5,363,755	11/1994	Liang	99/484

Primary Examiner—Caron D. Veynar
Attorney, Agent, or Firm—Knobbe Martens Olson & Bear,
LLP

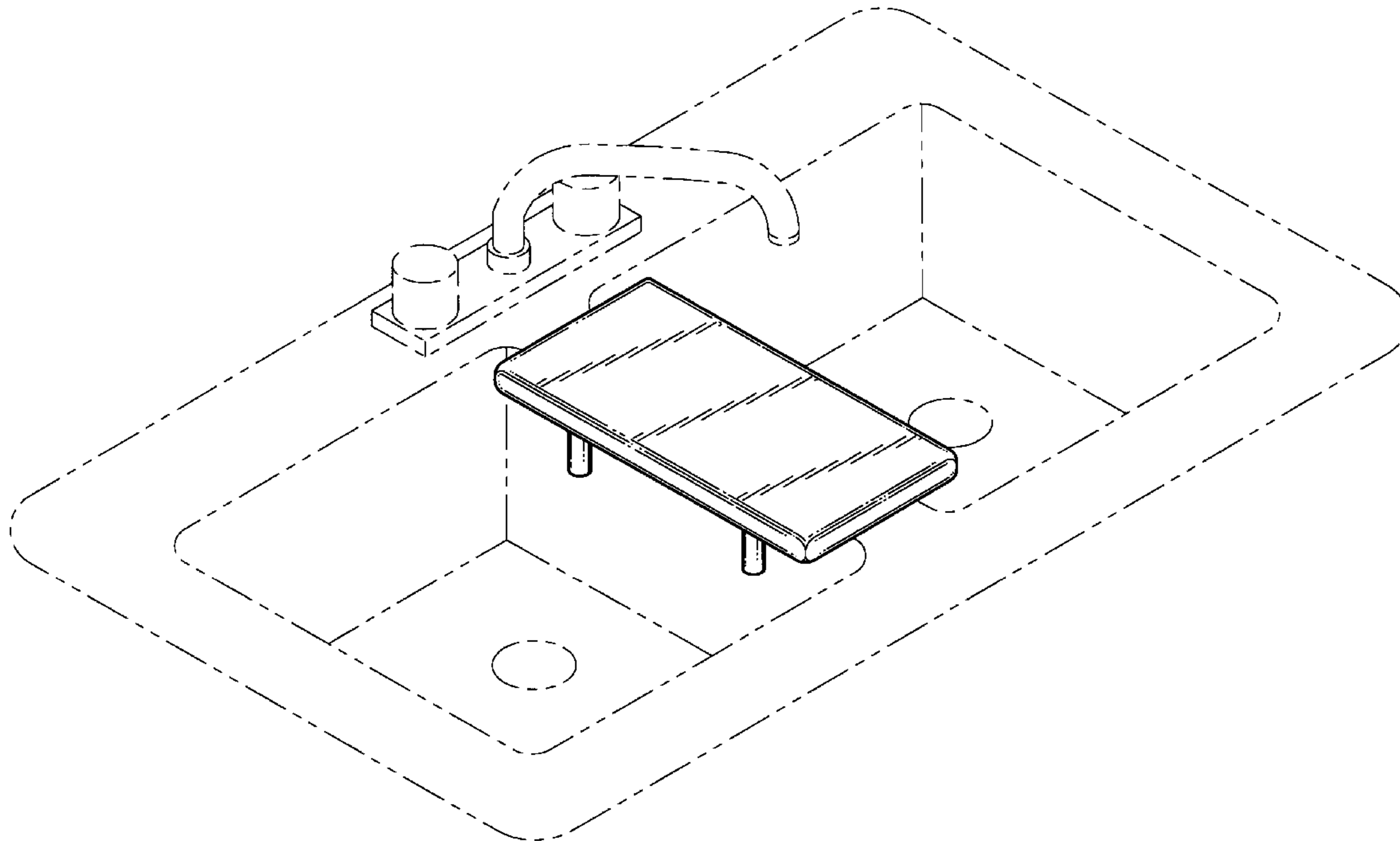
[57] **CLAIM**

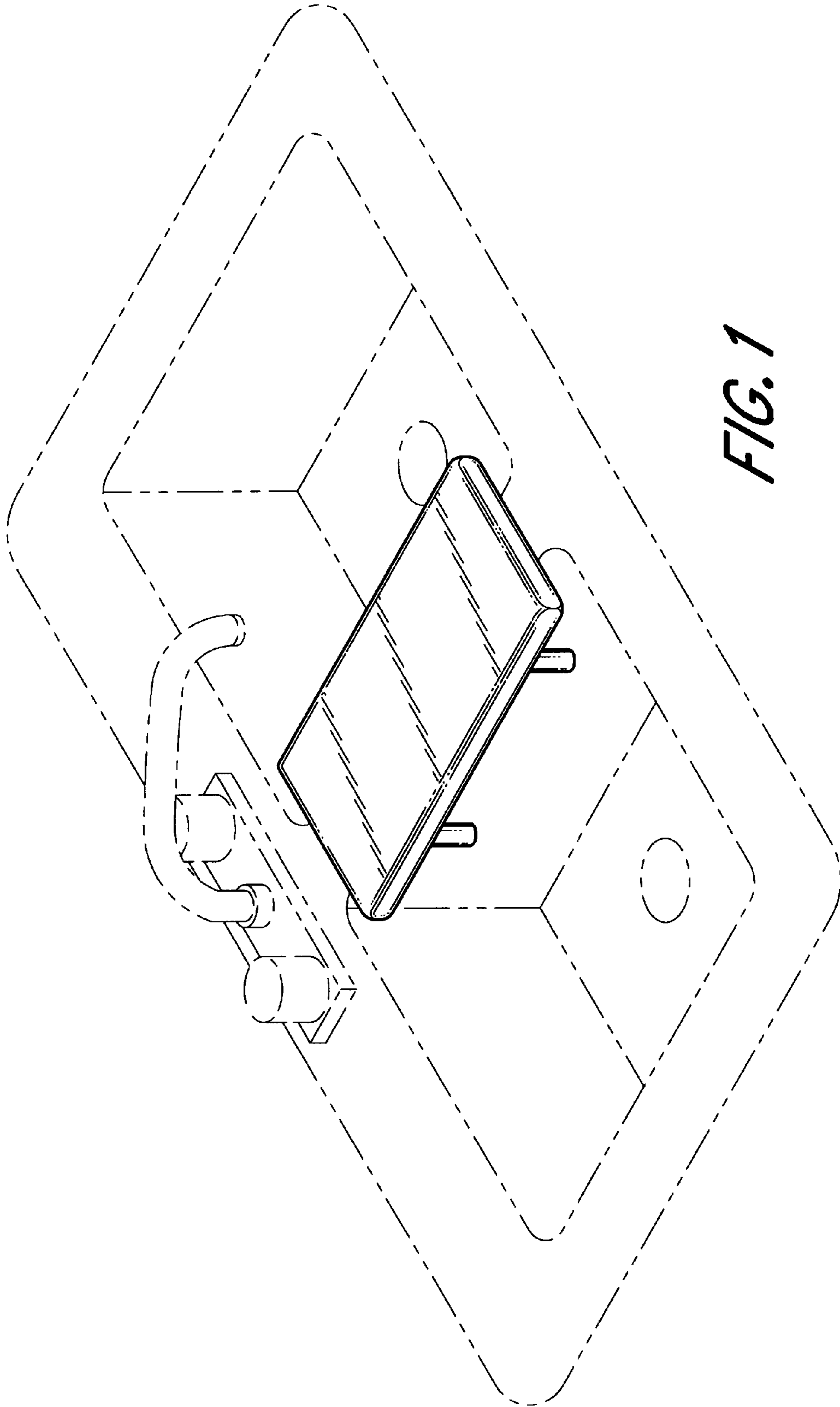
The ornamental design for a cutting board for a double sink,
as shown and described.

DESCRIPTION

FIG. 1 is a perspective view of a cutting board for a double
sink showing my new design;
FIG. 2 is a top plan view of FIG. 1;
FIG. 3 is a bottom plan view of FIG. 1;
FIG. 4 is a right side elevational view of FIG. 1; left side
elevational view being a mirror image; and,
FIG. 5 is a front elevational view of FIG. 1; the rear
elevational view being a mirror image.
The broken line showing of a double sink in FIG. 1 is for
illustrative purposes only and forms no part of the claimed
design.

1 Claim, 2 Drawing Sheets





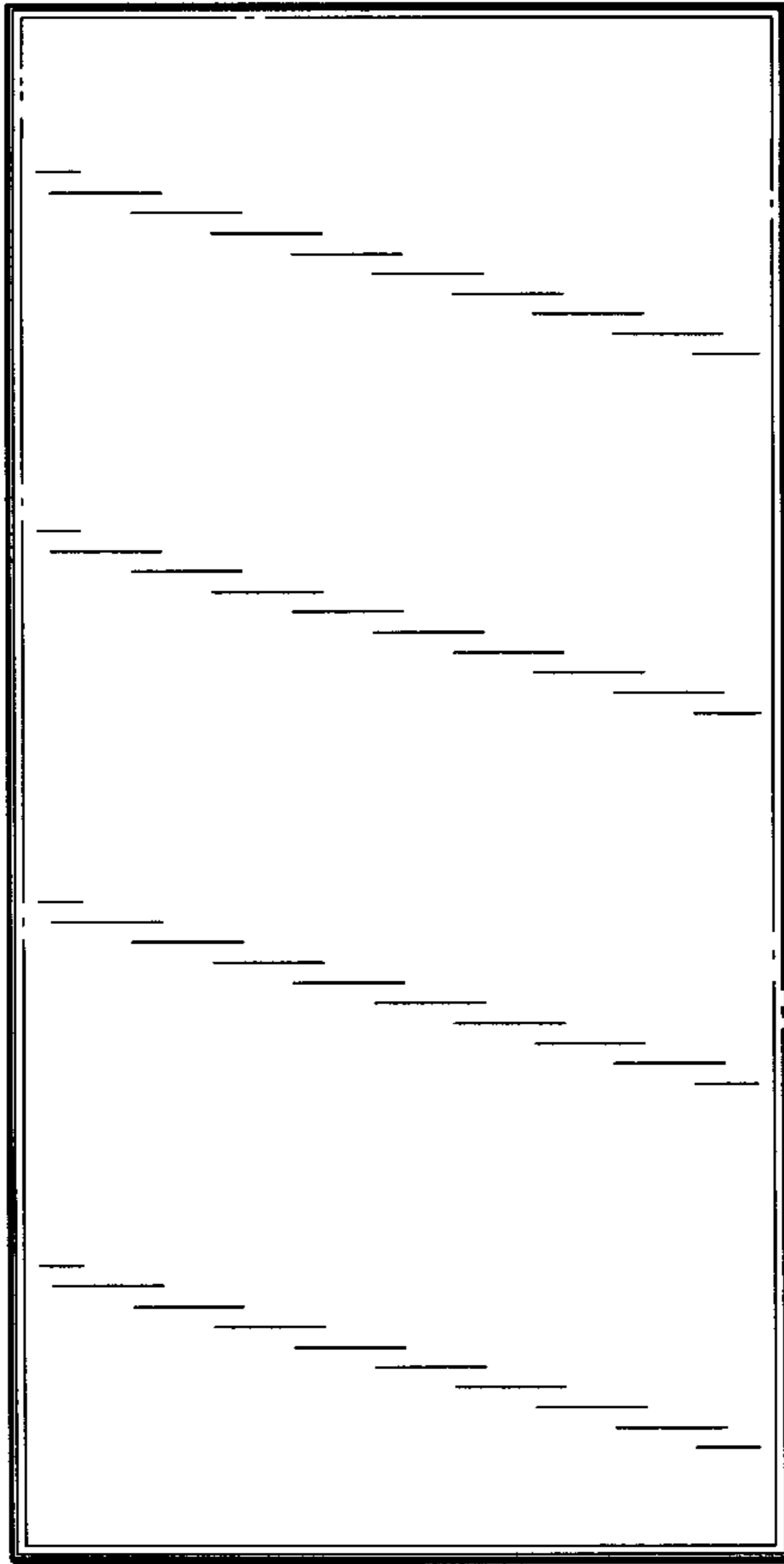


FIG. 2

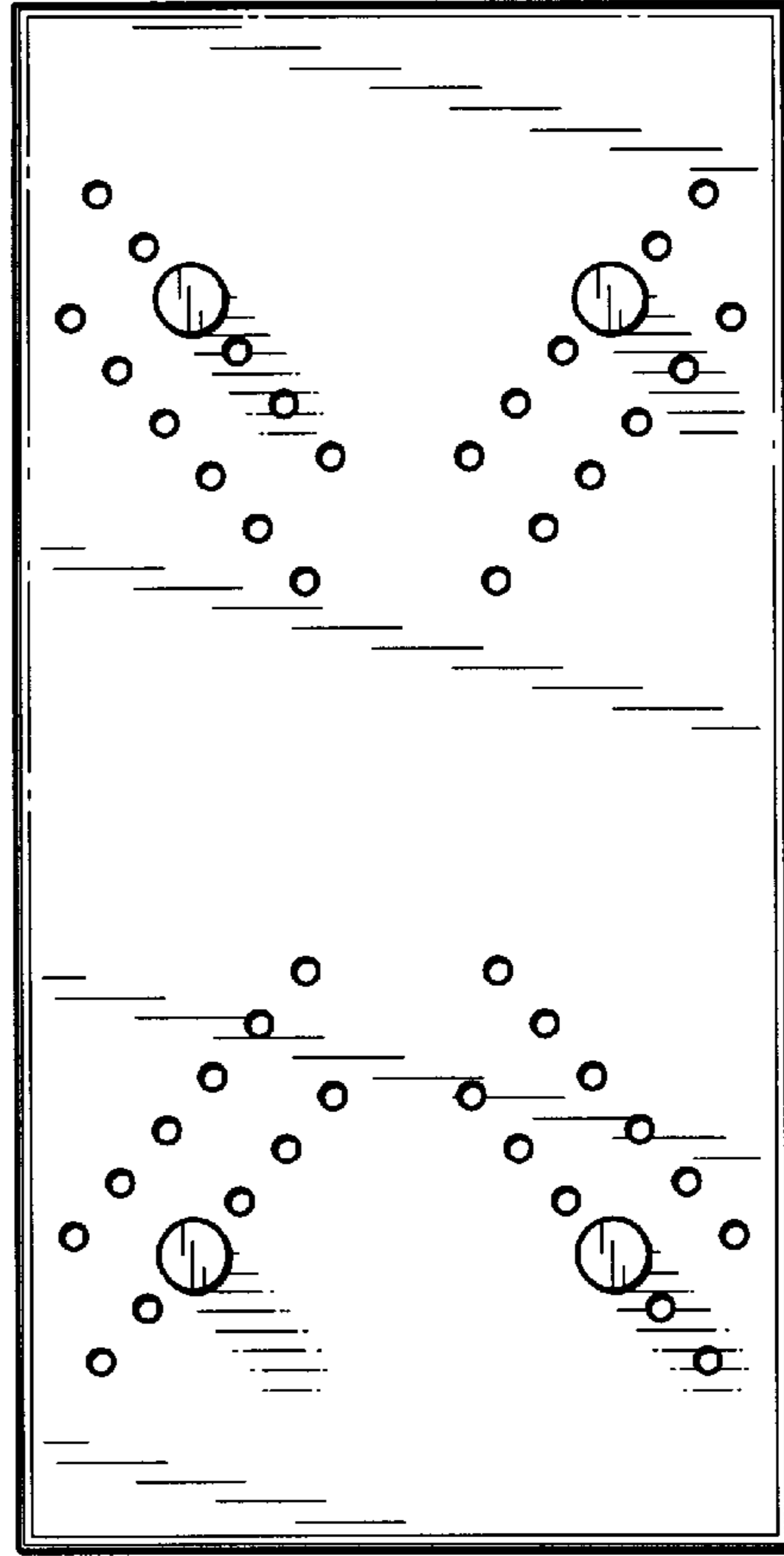


FIG. 3

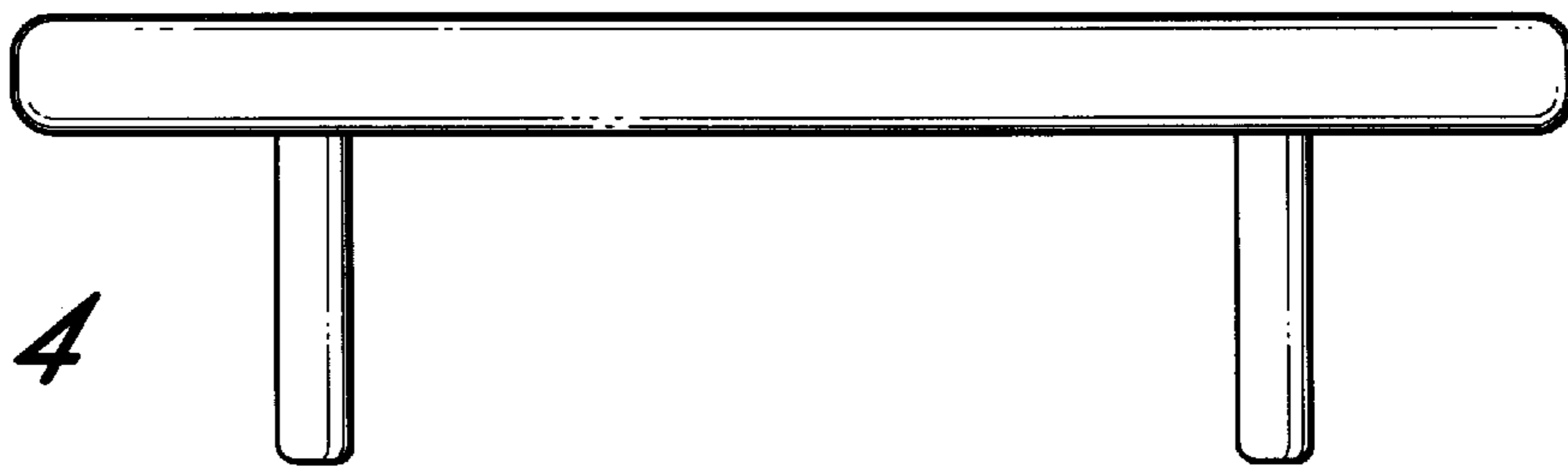


FIG. 4

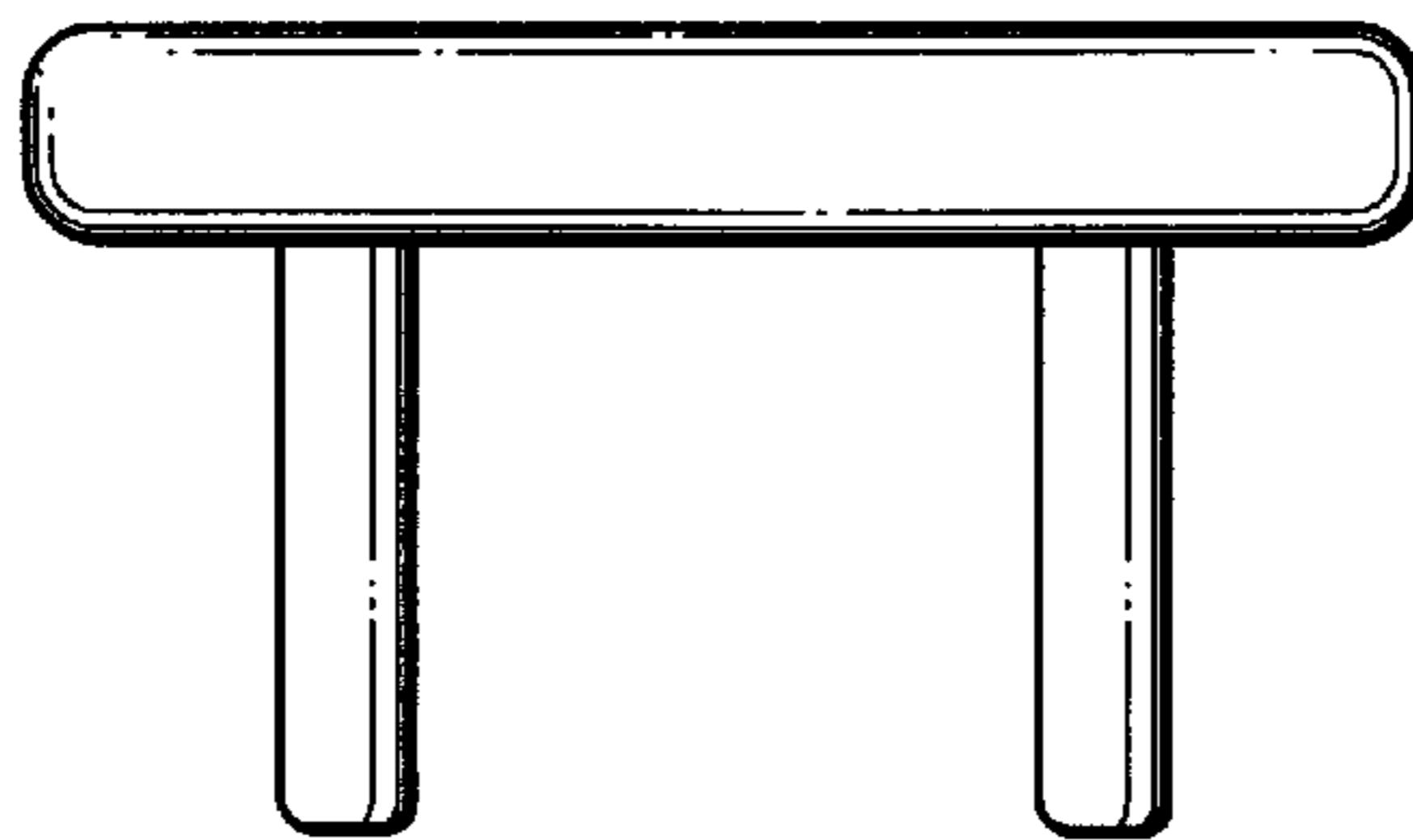


FIG. 5