



US00D415658S

United States Patent [19] Frehse

[11] **Patent Number: Des. 415,658**

[45] **Date of Patent: ** Oct. 26, 1999**

[54] **MOBILE COOLER**

D. 322,915 1/1992 Franklin D7/606
D. 328,689 8/1992 Riskowski D7/605
5,407,218 4/1995 Jackson 62/457.7 X

[75] Inventor: **Ulrich Frehse**, Beverungen, Germany

[73] Assignee: **3F GmbH & Co. KG Freizeitartikel**,
Beverungen, Germany

Primary Examiner—Terry A. Wallace
Attorney, Agent, or Firm—Herbert Dubno

[**] Term: **14 Years**

[57] CLAIM

[21] Appl. No.: **29/087,773**

The ornamental design for a mobile cooler, as shown and described.

[22] Filed: **May 8, 1998**

DESCRIPTION

Related U.S. Application Data

[63] Continuation-in-part of application No. 29/083,128, Feb. 4, 1998.

FIG. 1 is a top, left-side, front perspective view of a mobile cooler showing my new design;

[51] **LOC (6) Cl.** **07-06**

FIG. 2 is left side elevational view thereof, the right side being mirror symmetrical thereto;

[52] **U.S. Cl.** **D7/605**

[58] **Field of Search** D7/605–607; D3/273, D3/274; D34/12, 19, 24, 25; 62/457.1, 457.7, 371; 220/410, 412; 280/43.1, 43.24, 47.34, 47, 26, 651, 652, 645, 655.1

FIG. 3 is a top plan view thereof;

FIG. 4 is a front view thereof;

FIG. 5 is a rear view thereof;

FIG. 6 is a bottom view thereof; and,

FIG. 7 is a view similar to FIG. 2 with the handle extended.

[56] References Cited

U.S. PATENT DOCUMENTS

D. 322,198 12/1991 Dringenburg D7/605

1 Claim, 4 Drawing Sheets

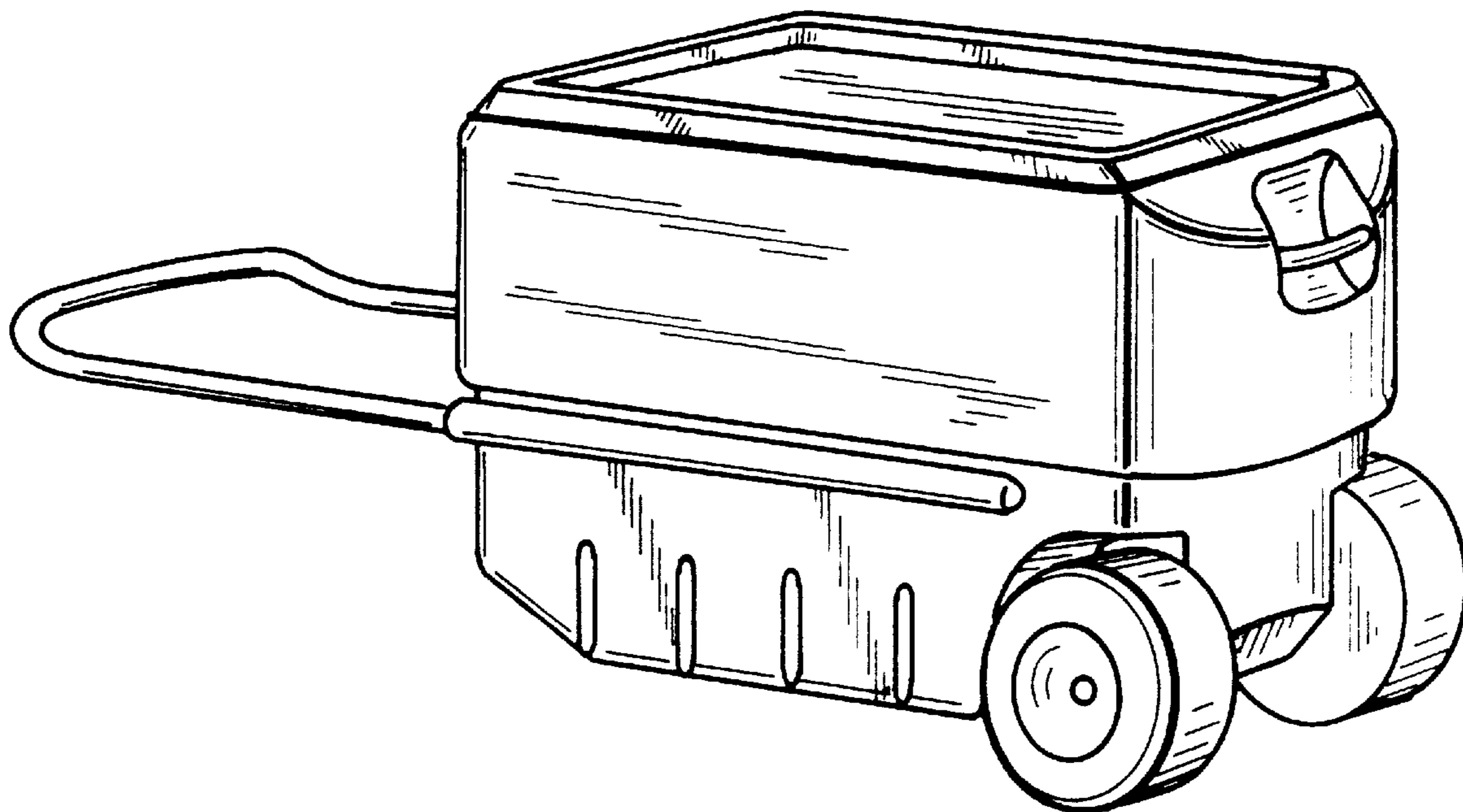


FIG. 1

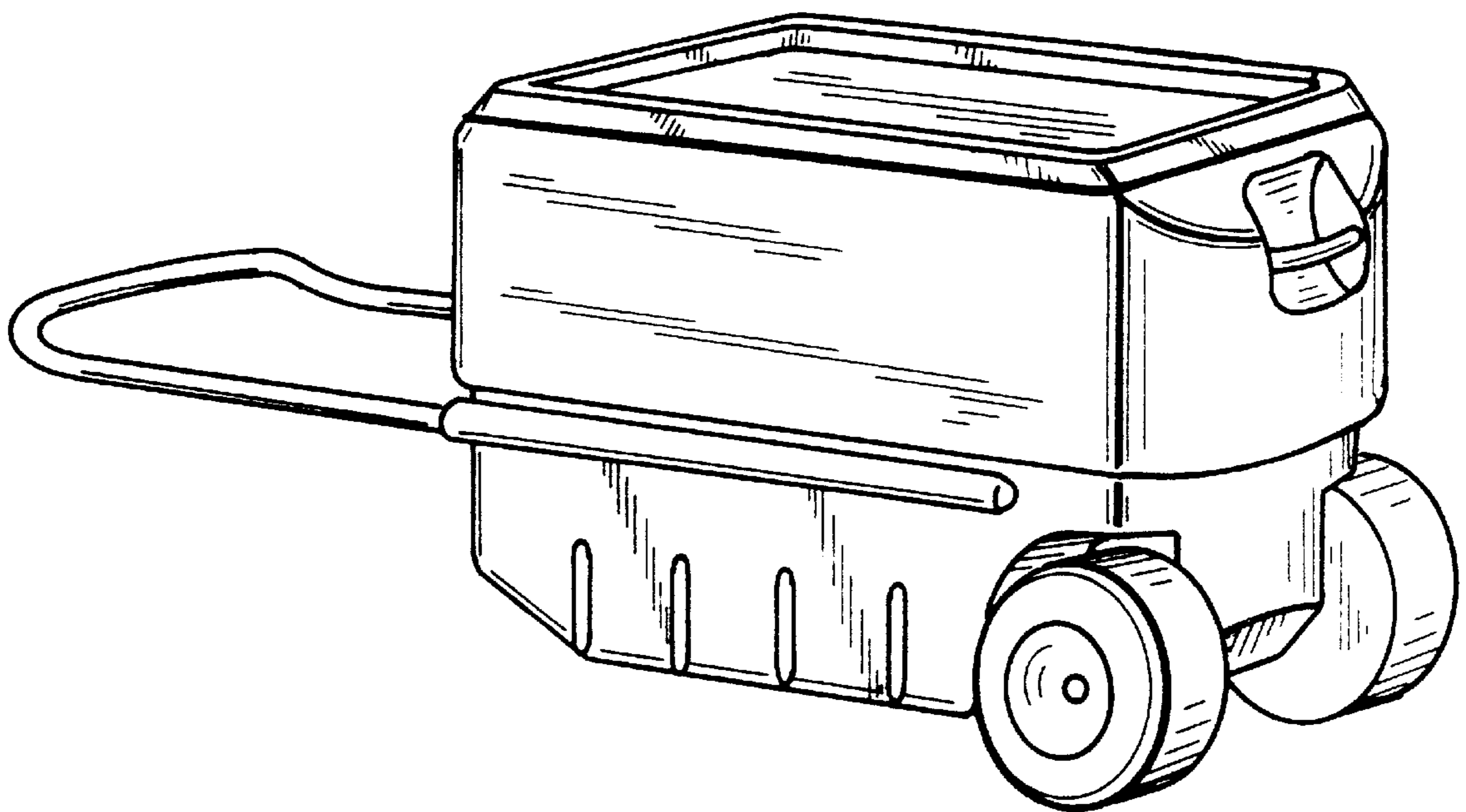


FIG. 3

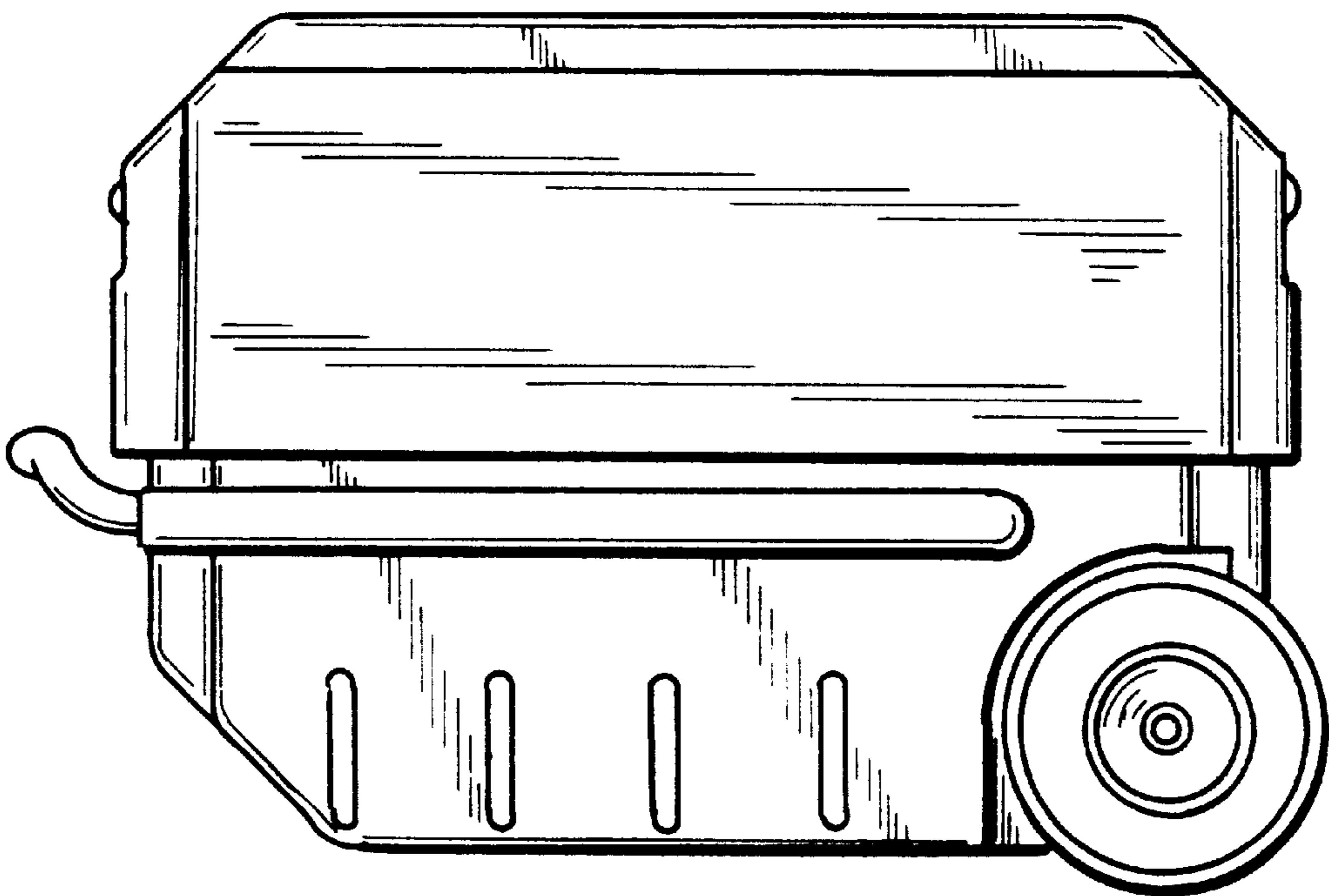
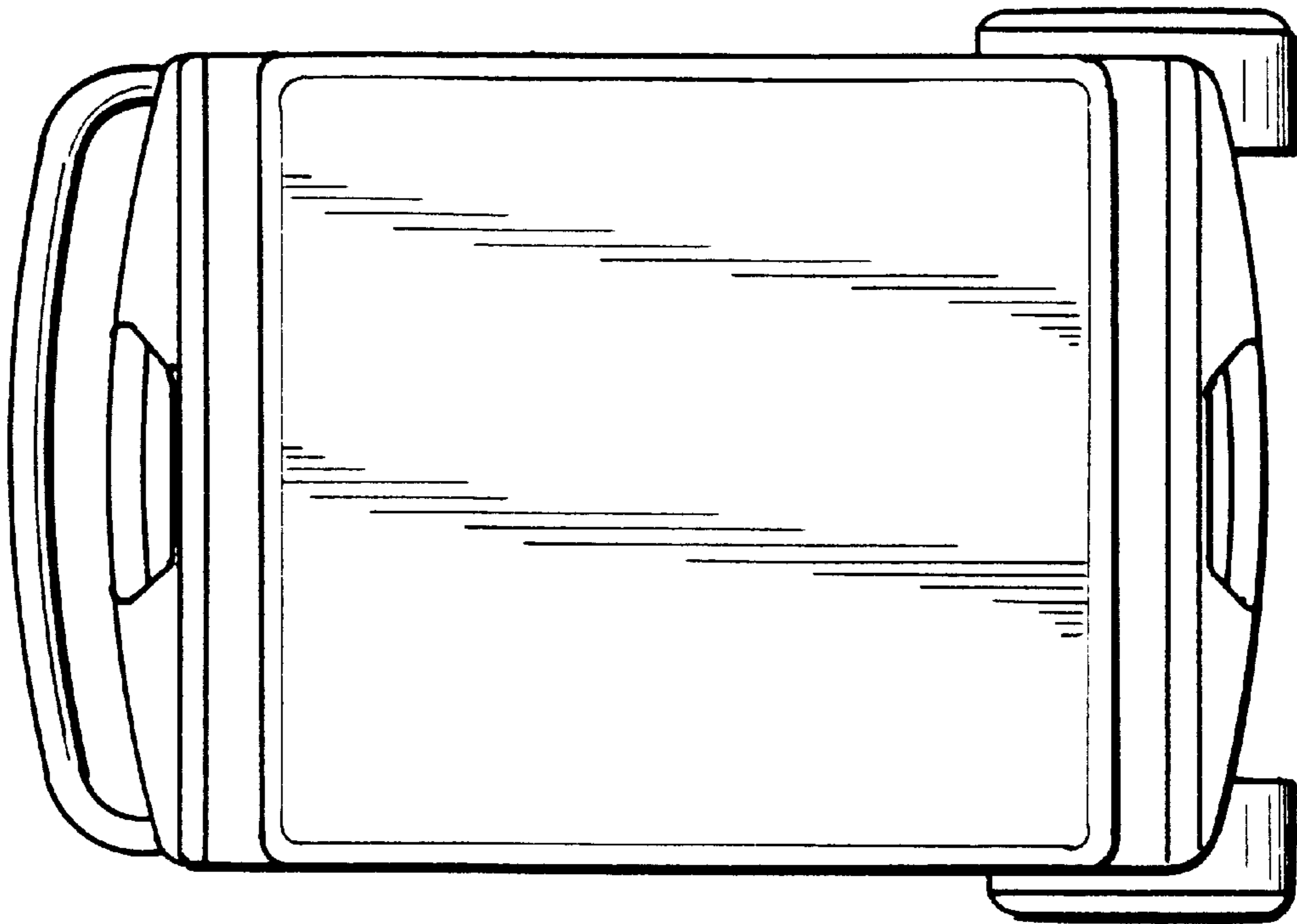


FIG. 2

FIG. 4

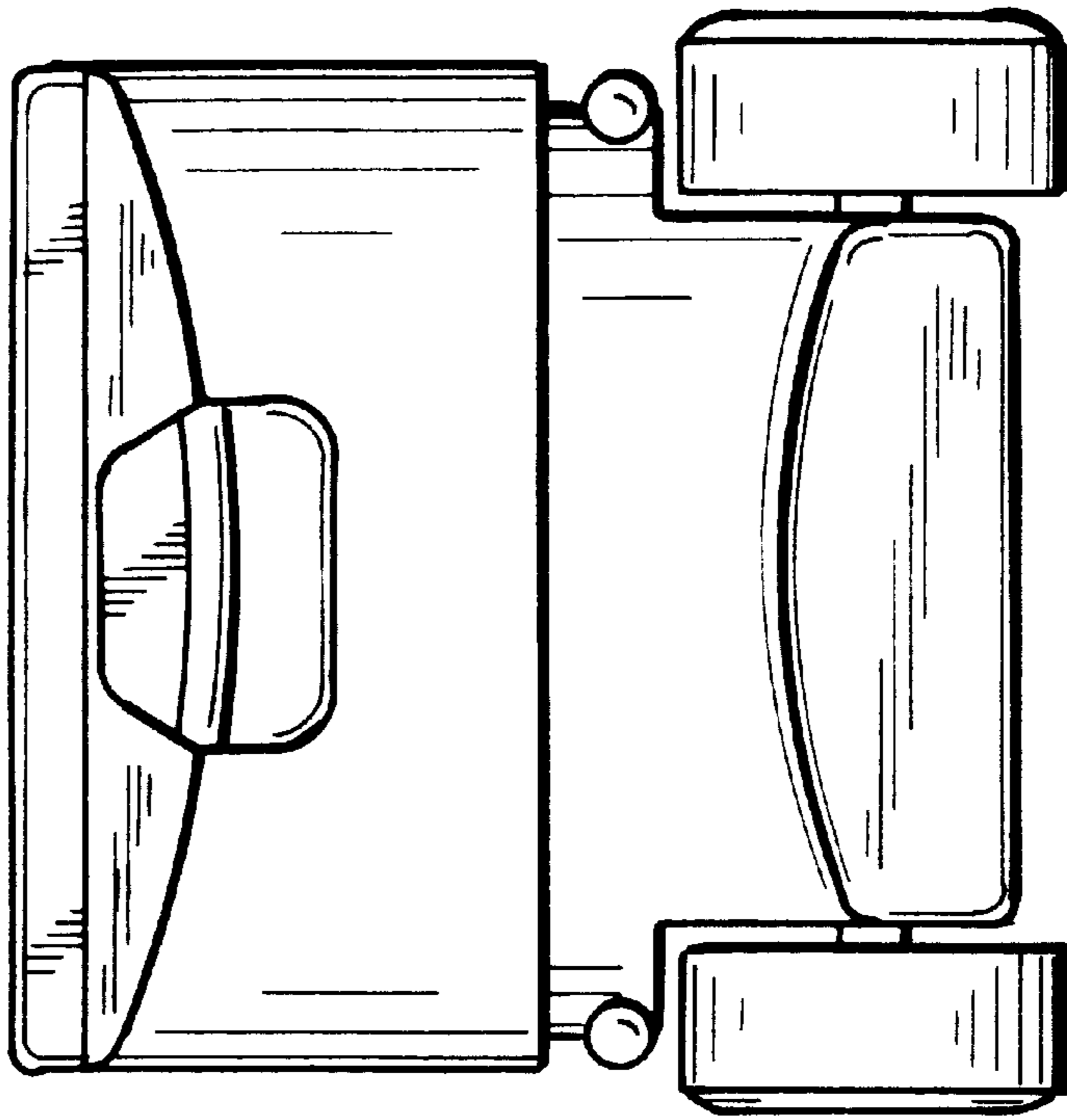


FIG. 5

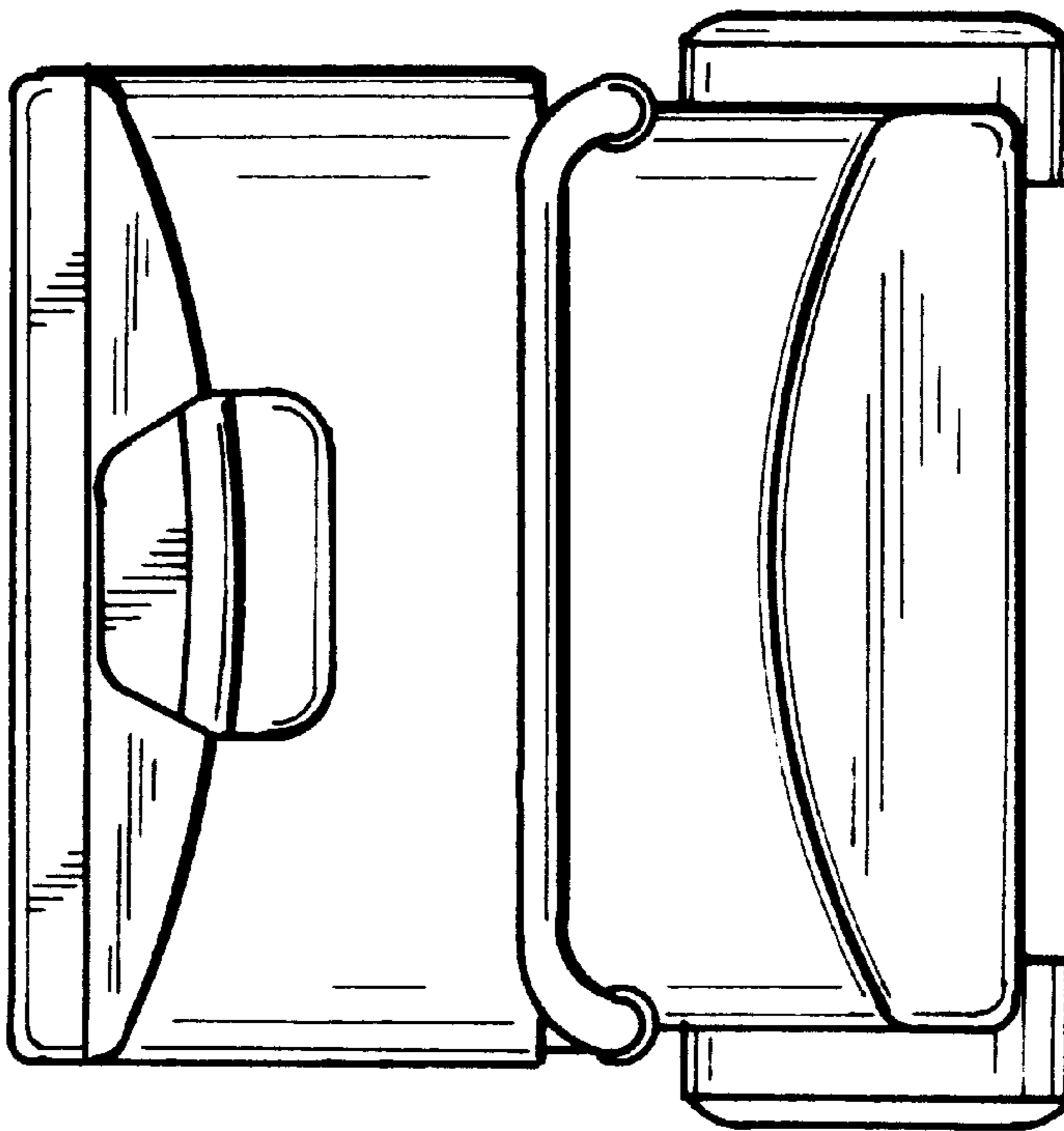


FIG. 6

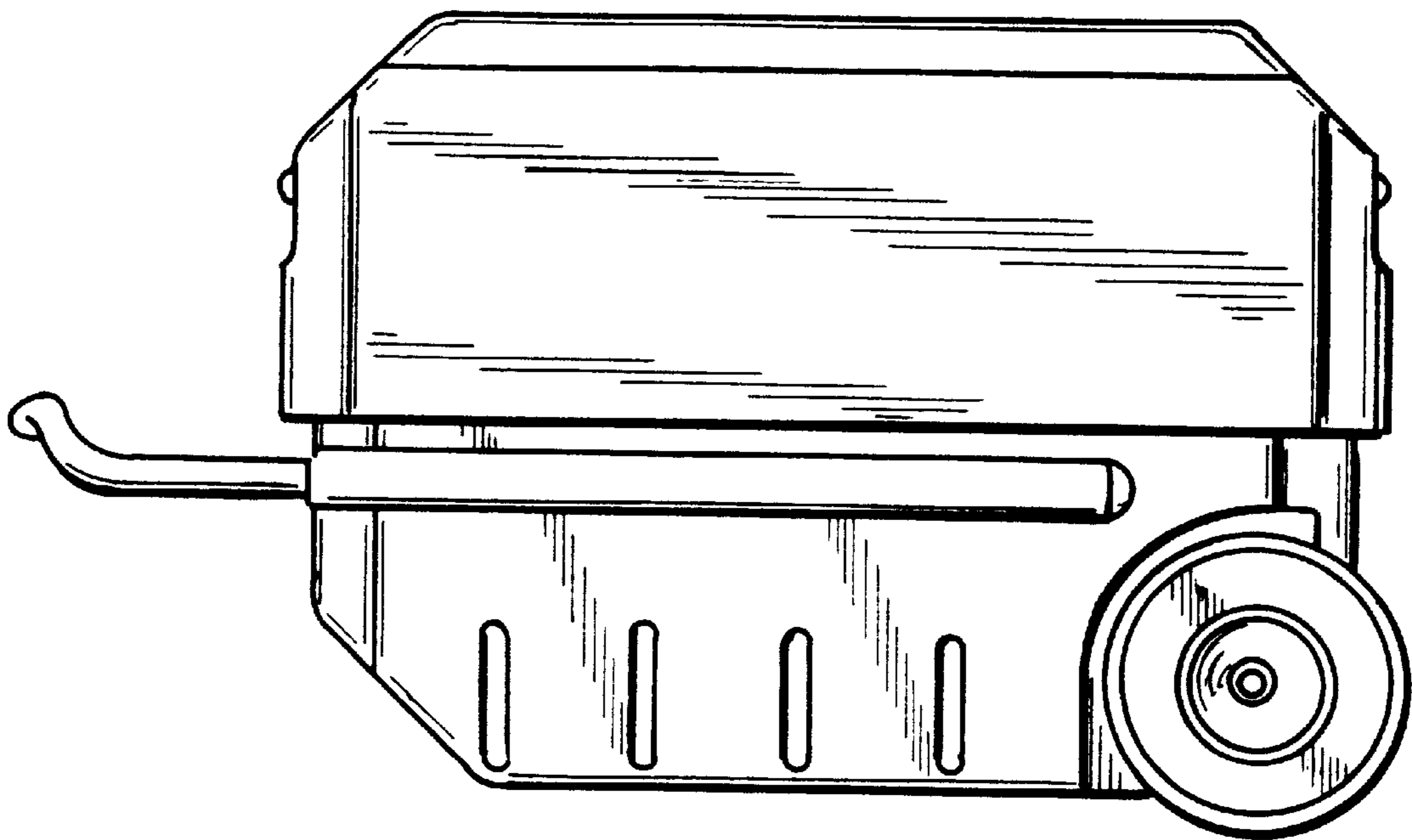
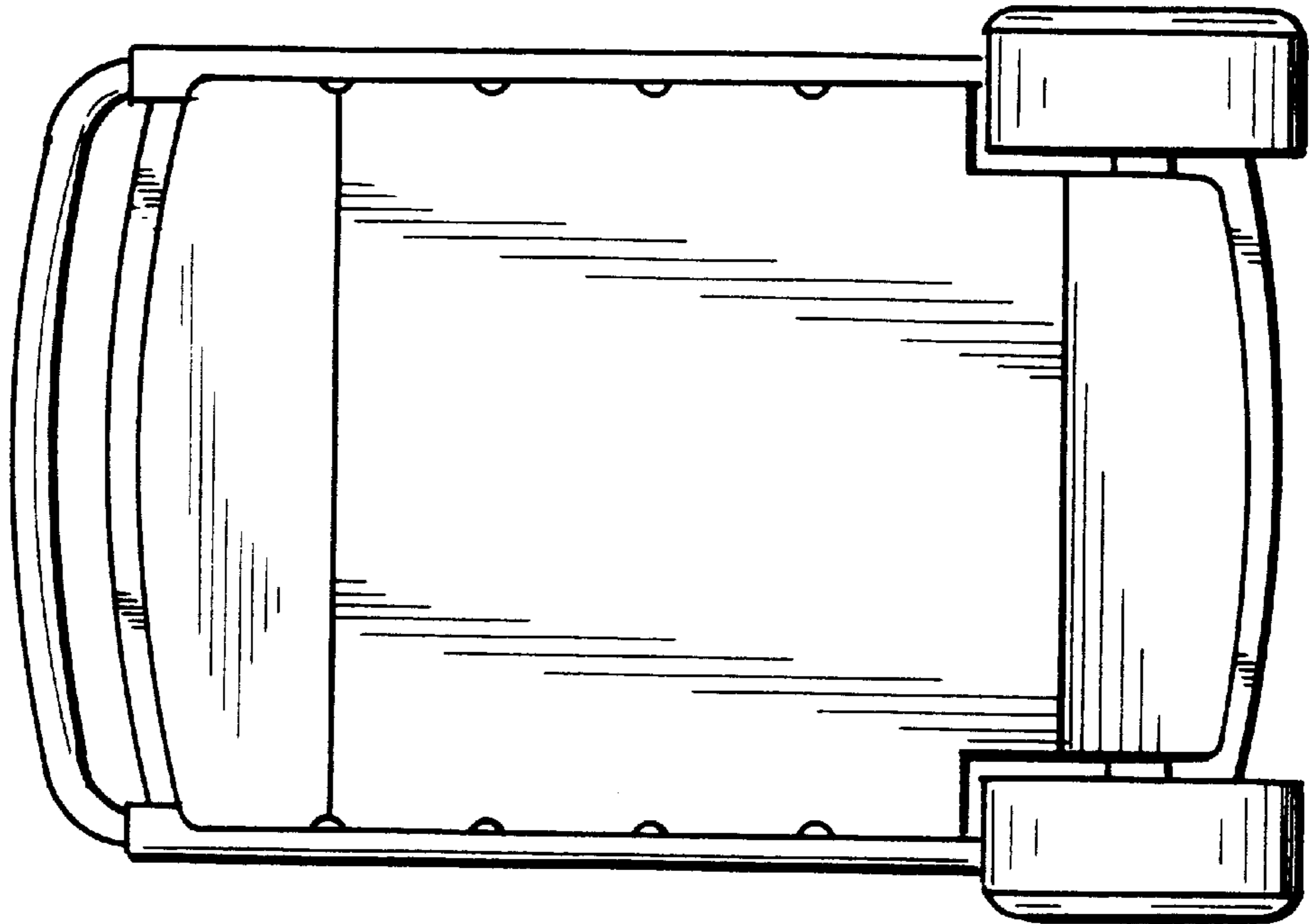


FIG. 7