



US00D415649S

United States Patent [19] Pai

[11] Patent Number: **Des. 415,649**

[45] Date of Patent: **** Oct. 26, 1999**

[54] **BARBECUE GRILL**
[76] Inventor: **Jui-Yen Pai**, No. 617, Sec. 4,
Chunghwa Rd., Hsinchu, Taiwan

[**] Term: **14 Years**

[21] Appl. No.: **29/081,915**

[22] Filed: **Jan. 12, 1998**

[51] **LOC (6) Cl.** **07-02**

[52] **U.S. Cl.** **D7/337**

[58] **Field of Search** D7/332-338, 402-404,
D7/409; 126/25 R, 25 A, 25 AA, 26-27,
29-30, 9 R, 41 R, 40, 50, 245, 38; 99/482

[56] **References Cited**

U.S. PATENT DOCUMENTS

- D. 282,619 2/1986 Fitzgerald et al. D7/332
- D. 283,391 4/1986 McNeil D7/332
- D. 302,641 8/1989 Elmburg D7/332
- D. 370,380 6/1996 McGourthy, Jr. et al. D7/337

- 4,627,408 12/1986 Schlosser 126/41 R
- 5,499,573 3/1996 Lin 99/337
- 5,832,915 2/1997 Skidmore et al. 126/9 R

Primary Examiner—Ruth McInroy
Attorney, Agent, or Firm—Peterson, Wicks, Nemer & Kamrath, P.A.

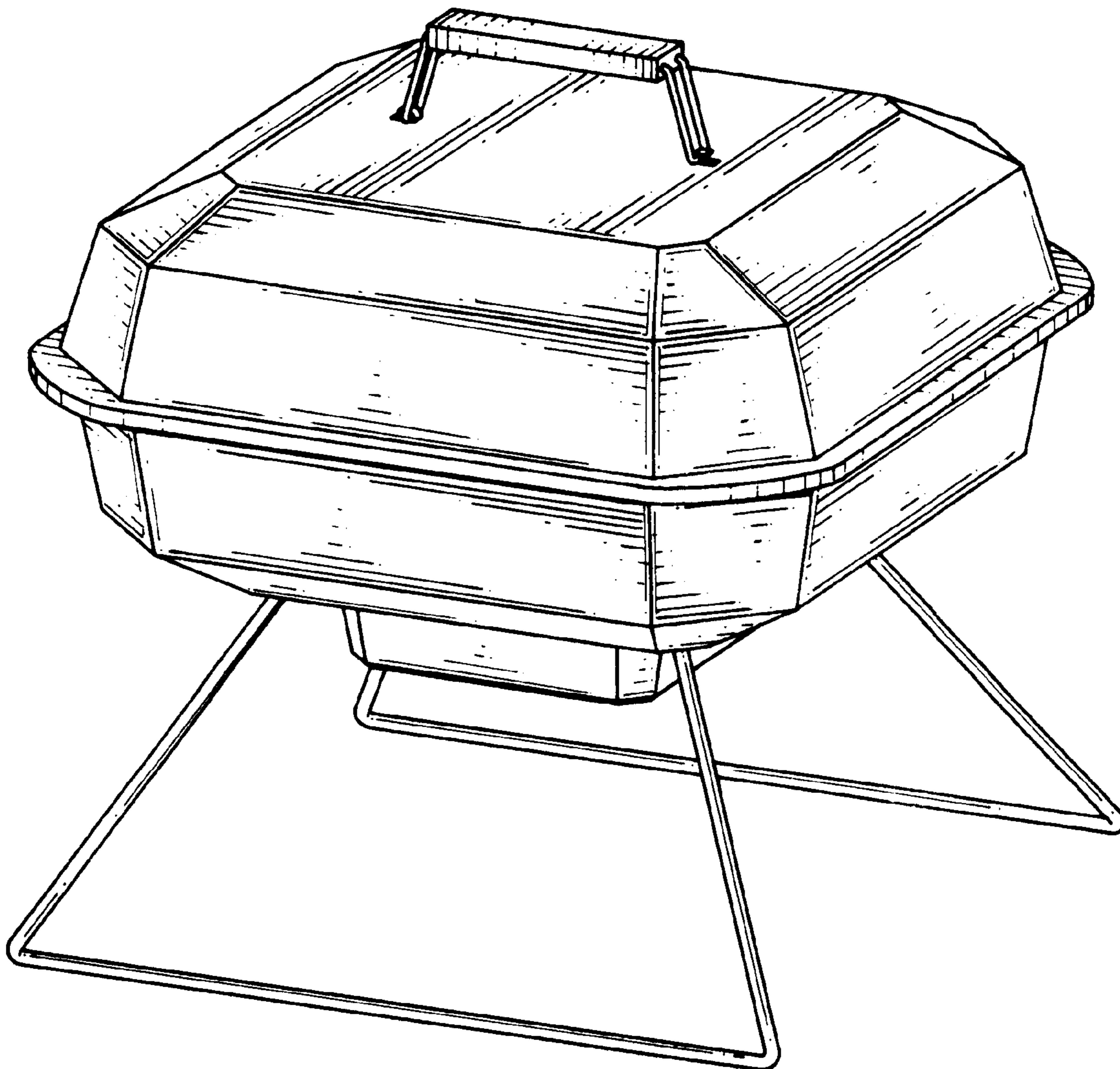
[57] **CLAIM**

The ornamental design for a barbecue grill, as shown.

DESCRIPTION

FIG. 1 is a perspective view from the front-right-top side of a barbecue grill showing my design; FIG. 2 is a front elevational view, the rear view being a mirror image thereof; FIG. 3 is a left side elevational view, the right side elevational view being a mirror image thereof; FIG. 4 is a top plan view thereof; and, FIG. 5 is a bottom plan view thereof.

1 Claim, 3 Drawing Sheets



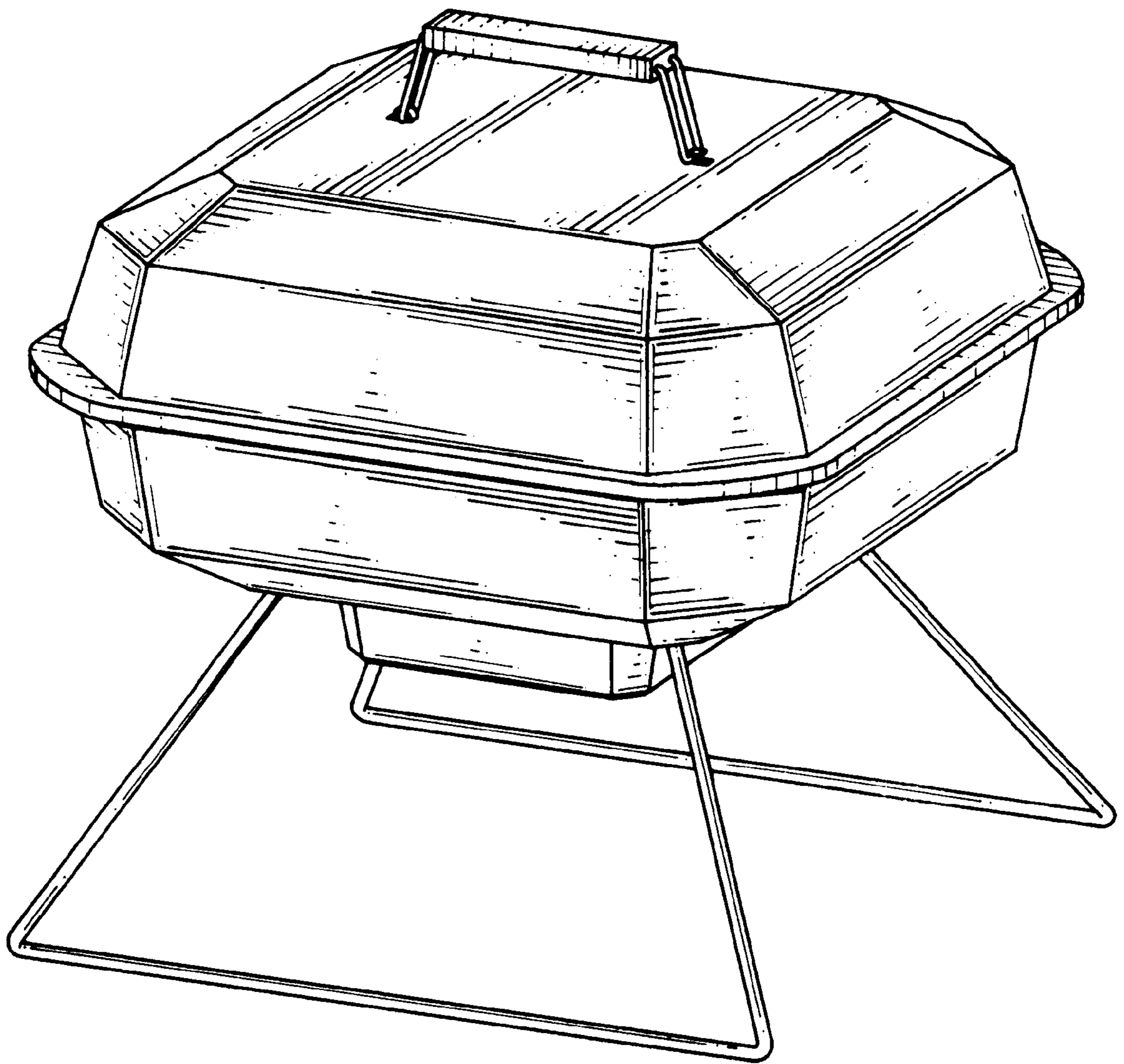


FIG. 1

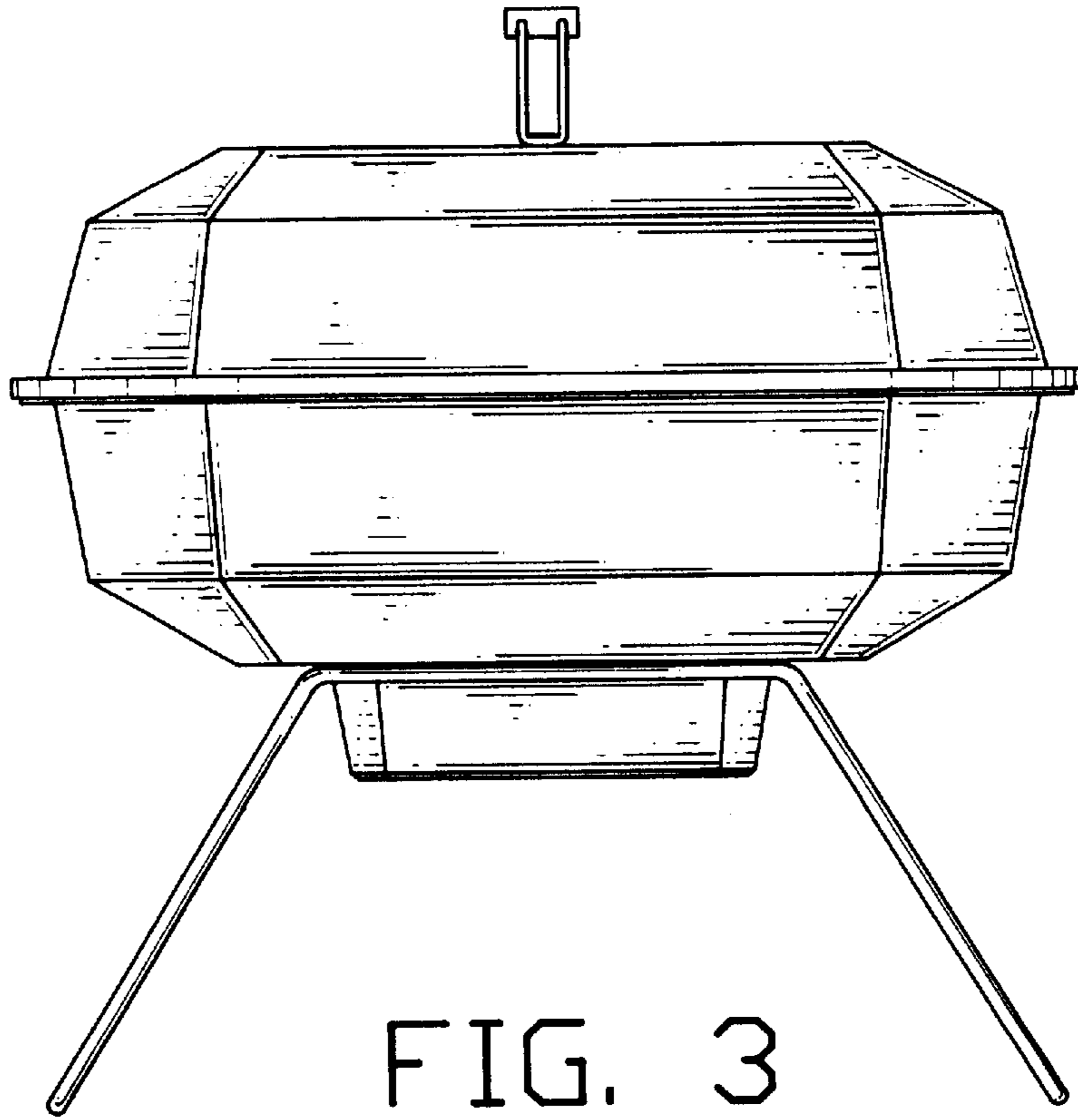


FIG. 3

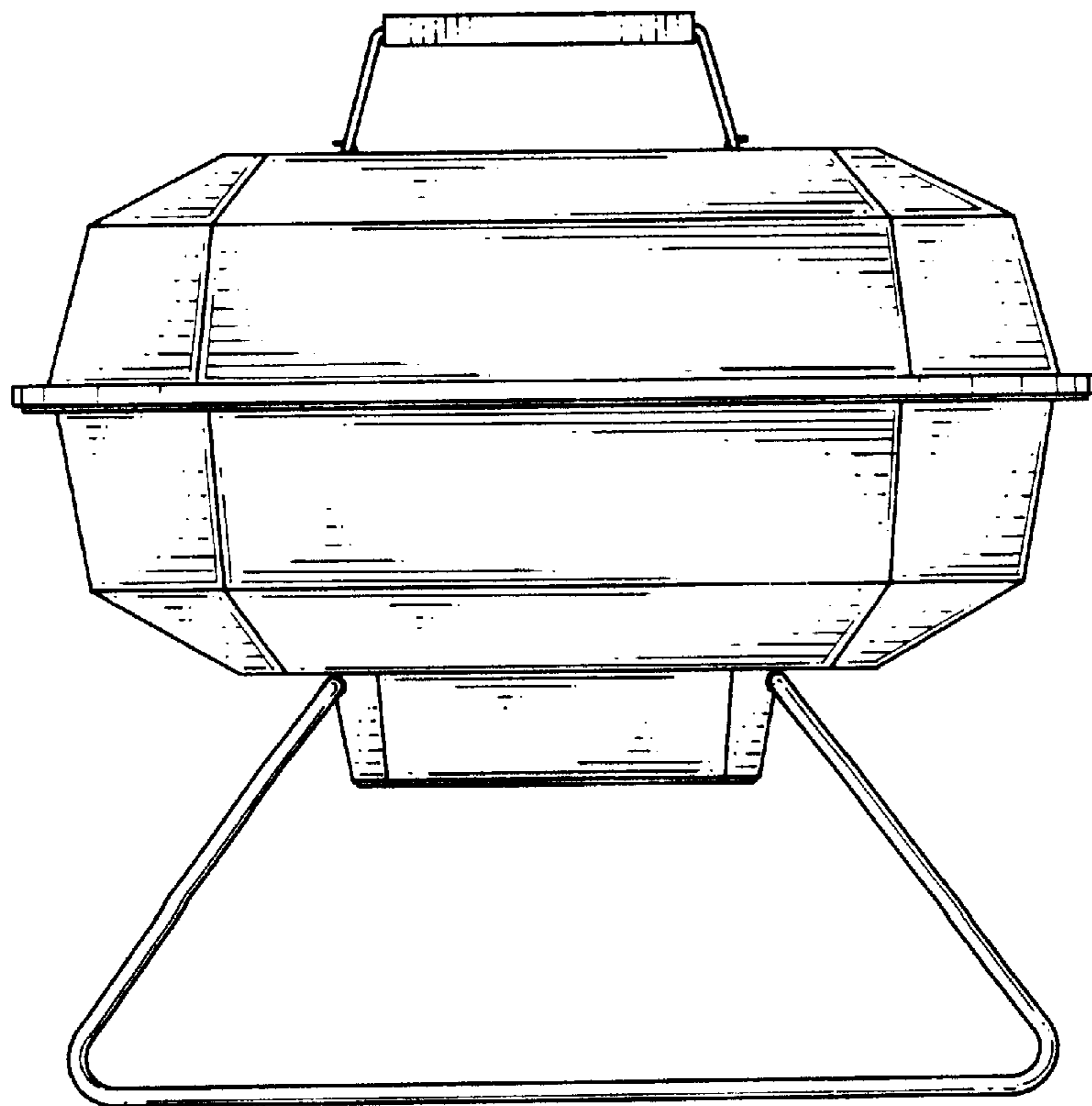


FIG. 2

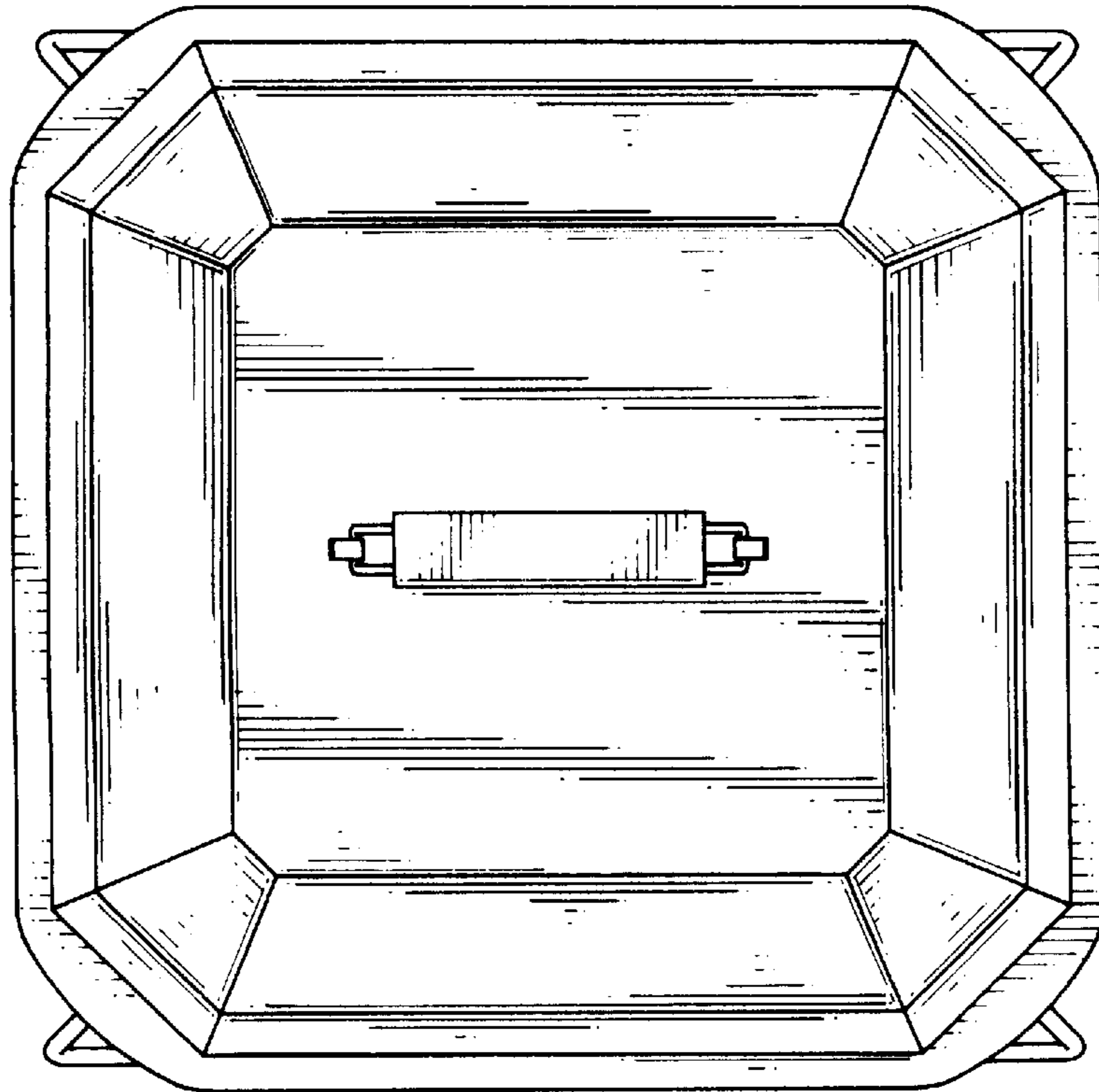


FIG. 4

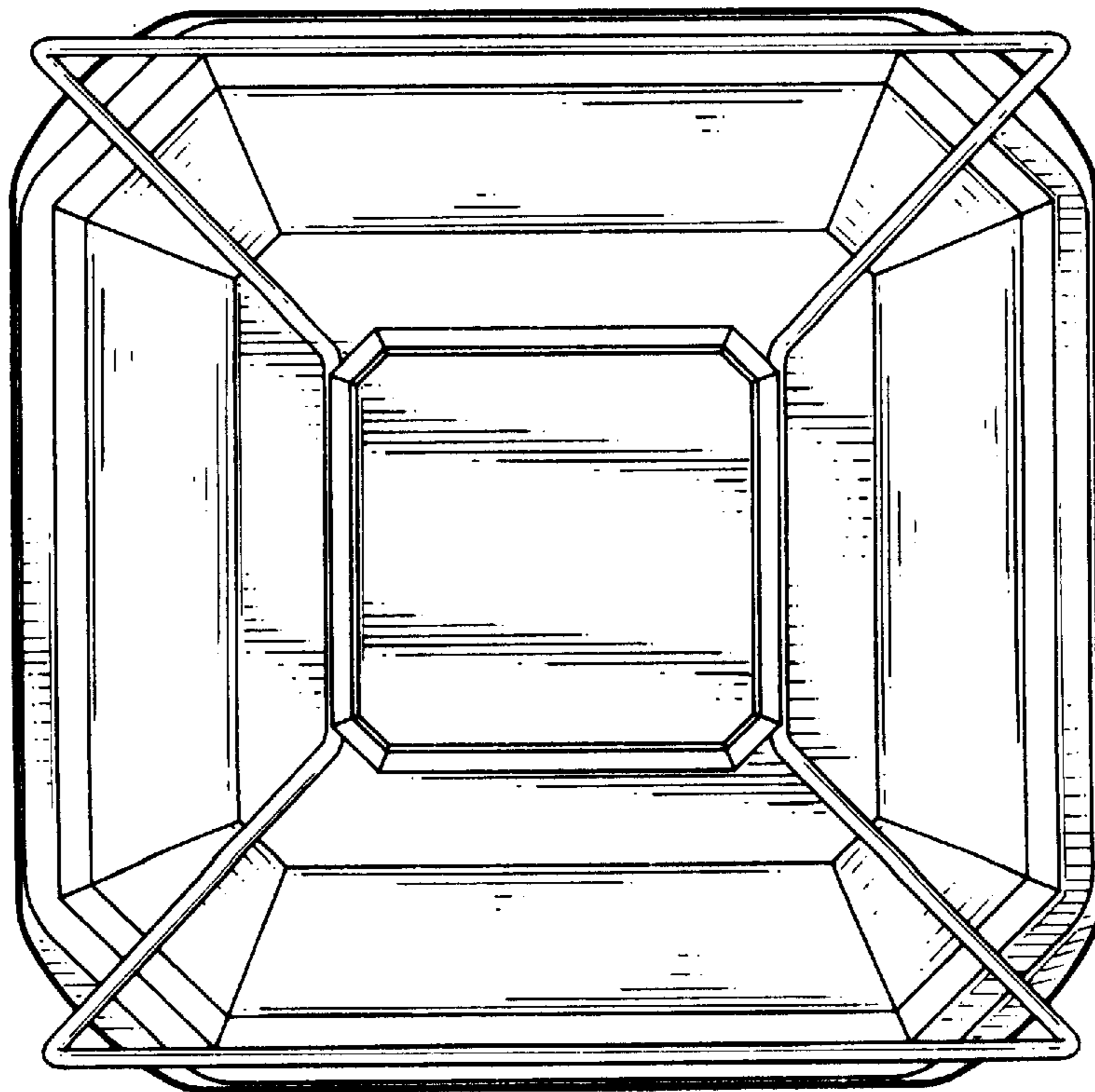


FIG. 5