



US00D415647S

United States Patent [19]

Andrade

[11] Patent Number: **Des. 415,647**

[45] Date of Patent: **** Oct. 26, 1999**

[54] VIDEO TAPE CARRYING CASE

[76] Inventor: **Carol C. Andrade**, 32 Old Middletown Rd., Rockaway, N.J. 07866

[**] Term: **14 Years**

[21] Appl. No.: **29/090,068**

[22] Filed: **Jun. 29, 1998**

[51] LOC (6) Cl. **06-04**

[52] U.S. Cl. **D6/633; D6/629; D6/632**

[58] Field of Search D3/201, 215; D6/407, D6/408, 626-635; 150/107; 206/307.1, 308, 308.1, 308.2, 308.3, 310, 311, 387.1

[56] **References Cited**

U.S. PATENT DOCUMENTS

| | | | | |
|------------|---------|----------------|-------|--------|
| D. 221,409 | 8/1971 | Gerber | | D6/631 |
| D. 222,012 | 9/1971 | Harris | | D6/633 |
| D. 238,326 | 1/1976 | Offredi | | D6/633 |
| D. 239,664 | 4/1976 | Savoy | | D6/631 |
| D. 264,520 | 5/1982 | Garrett | | D3/295 |
| D. 266,883 | 11/1982 | Ackeret | | D6/628 |
| D. 287,426 | 12/1986 | Godfrey | | D6/631 |
| D. 298,286 | 11/1988 | Mastronardo | | D6/633 |
| D. 317,079 | 5/1991 | Schmidt et al. | | D6/631 |

| | | | | |
|------------|--------|-------------|-------|-----------|
| D. 337,652 | 7/1993 | Vierra | | D6/633 |
| D. 350,448 | 9/1994 | Hill | | D6/630 |
| D. 394,579 | 5/1998 | Kazanowski | | D6/630 |
| 4,003,468 | 1/1977 | Berkman | | 206/307.1 |
| 4,842,032 | 6/1989 | Mastronardo | | 6/631 |
| 5,791,468 | 8/1998 | House | | 206/308.1 |

Primary Examiner—Celia Murphy
Attorney, Agent, or Firm—Goldstein & Canino

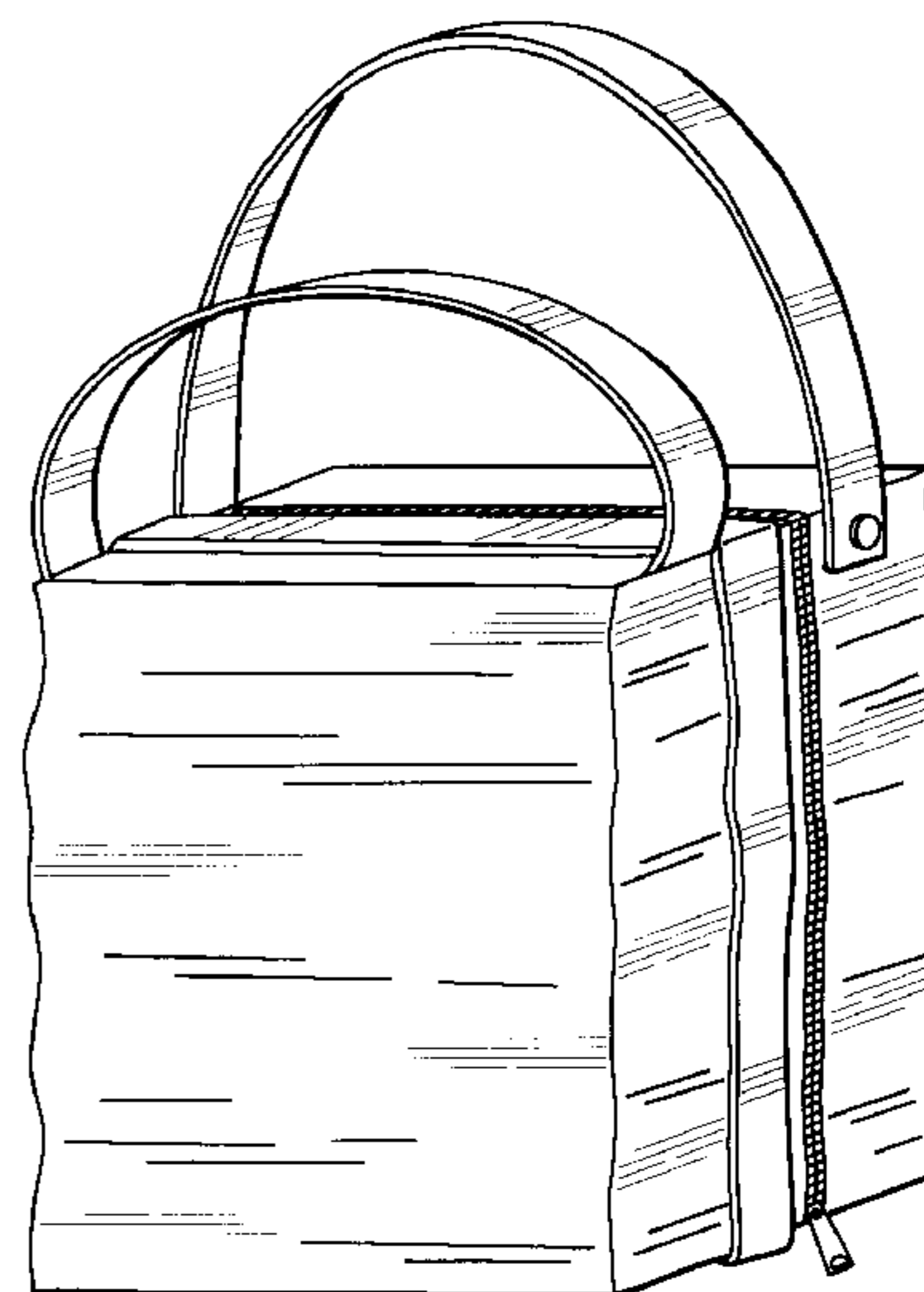
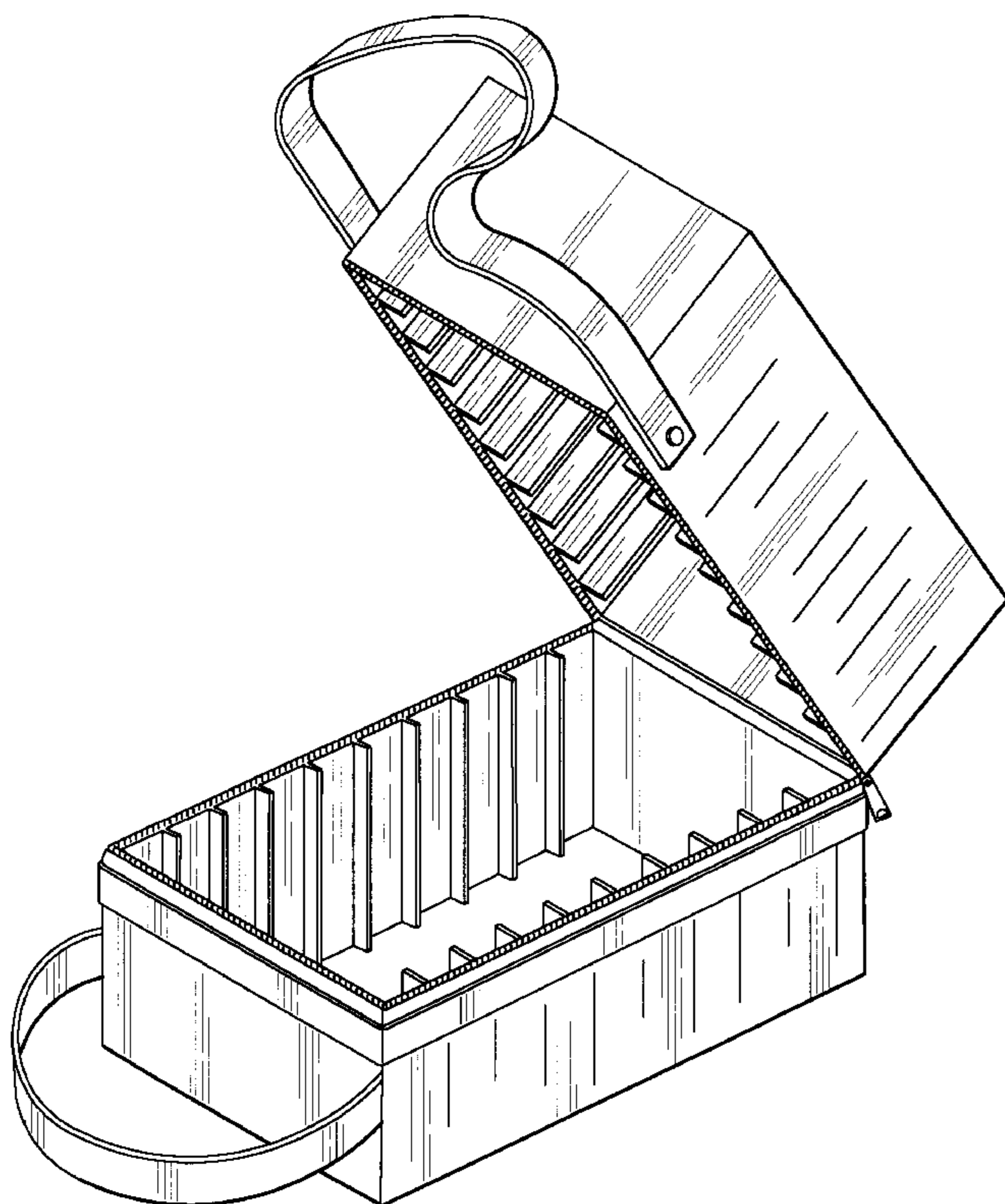
[57] **CLAIM**

The ornamental design for a video tape carrying case, as shown and described.

DESCRIPTION

FIG. 1 is a perspective view of a video tape carrying case showing my new design in a slightly stretched out and open position;
 FIG. 2 is a perspective view thereof shown compressed and in a closed position;
 FIG. 3 is a front elevational view of FIG. 2;
 FIG. 4 is a rear elevational view of FIG. 2;
 FIG. 5 is a right side elevational view of FIG. 2;
 FIG. 6 is a left side elevational view of FIG. 2;
 FIG. 7 is a top plan view of FIG. 2; and,
 FIG. 8 is a bottom plan view of FIG. 2.

1 Claim, 4 Drawing Sheets



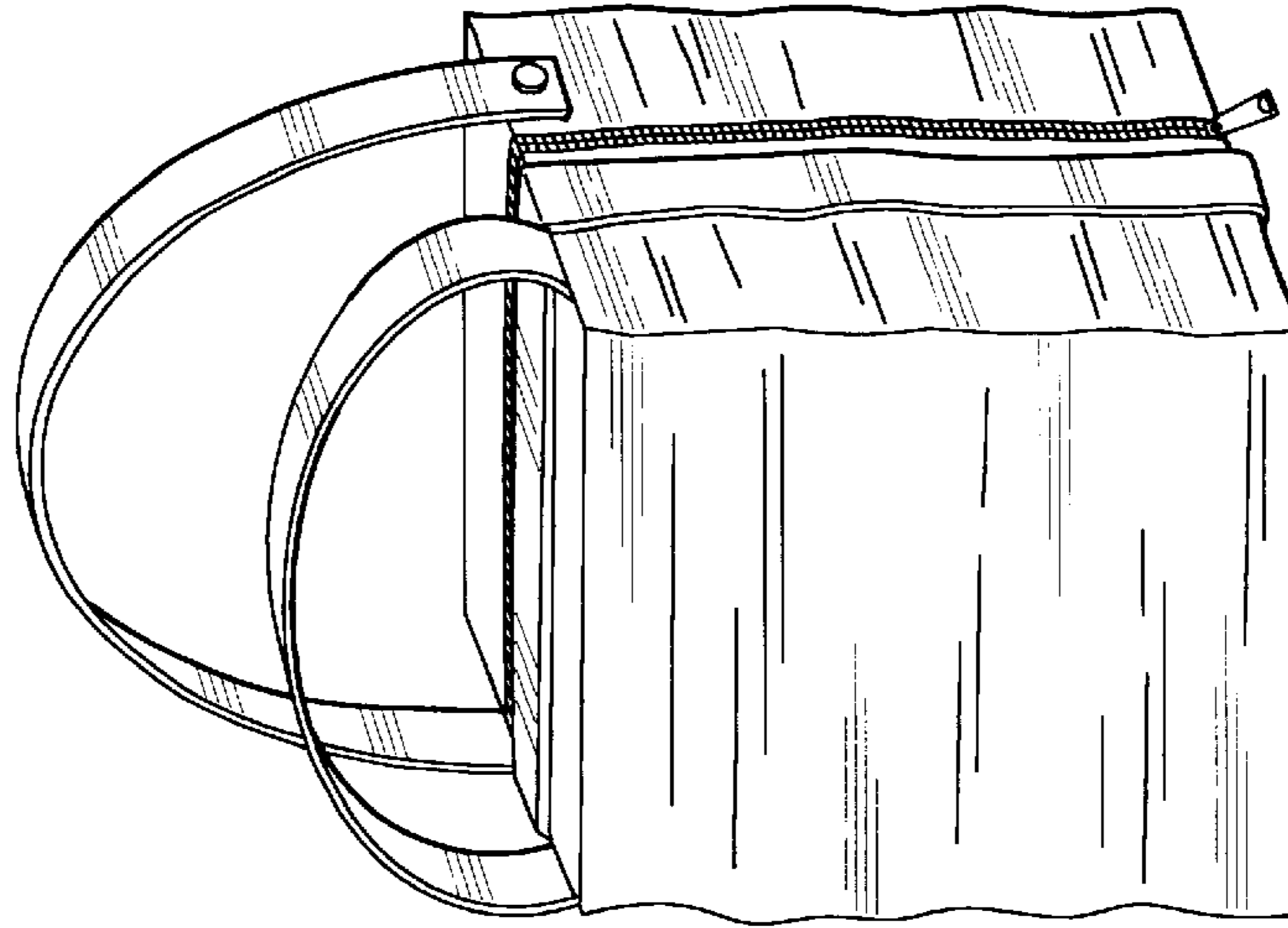


Fig. 2

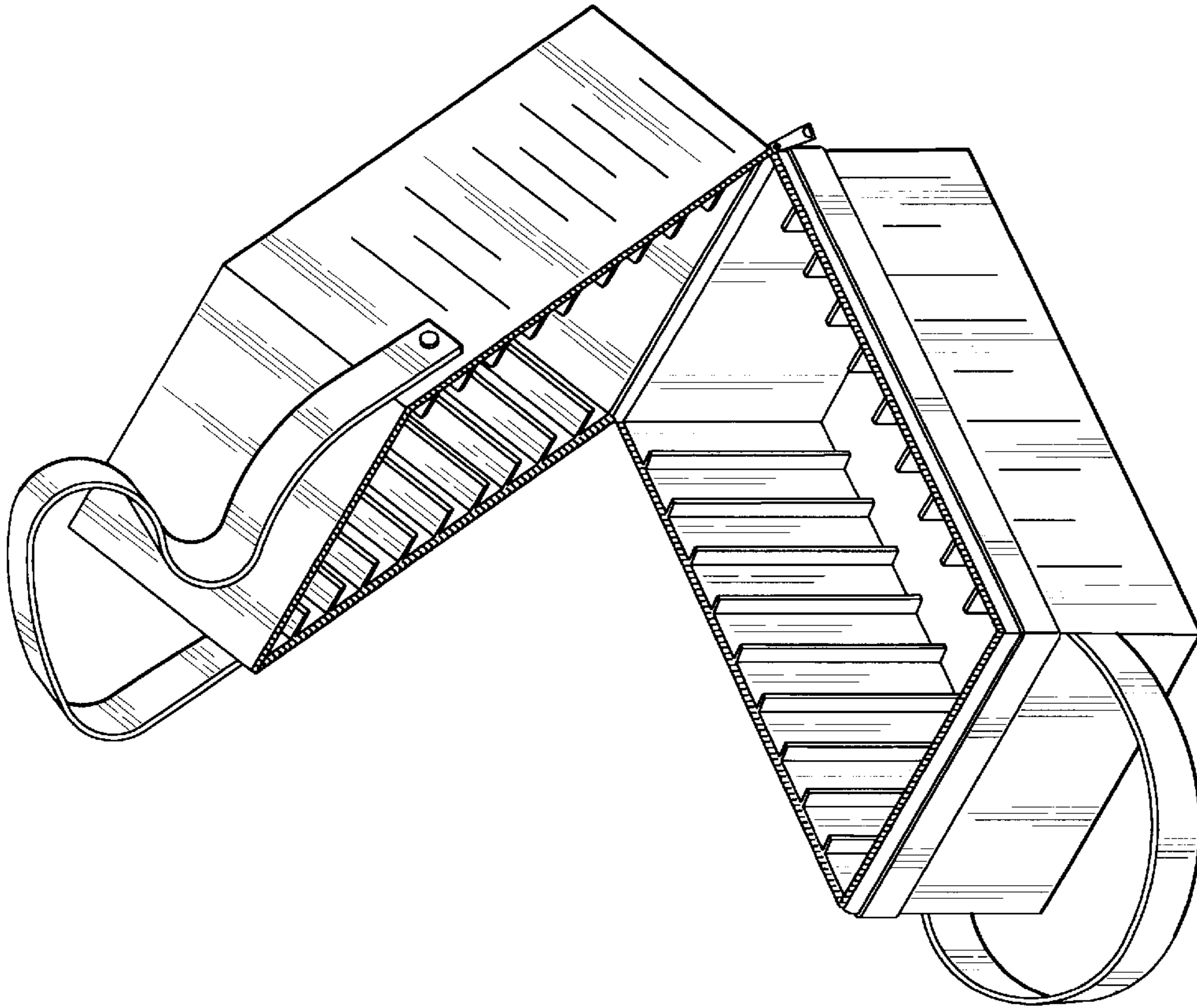


Fig. 1

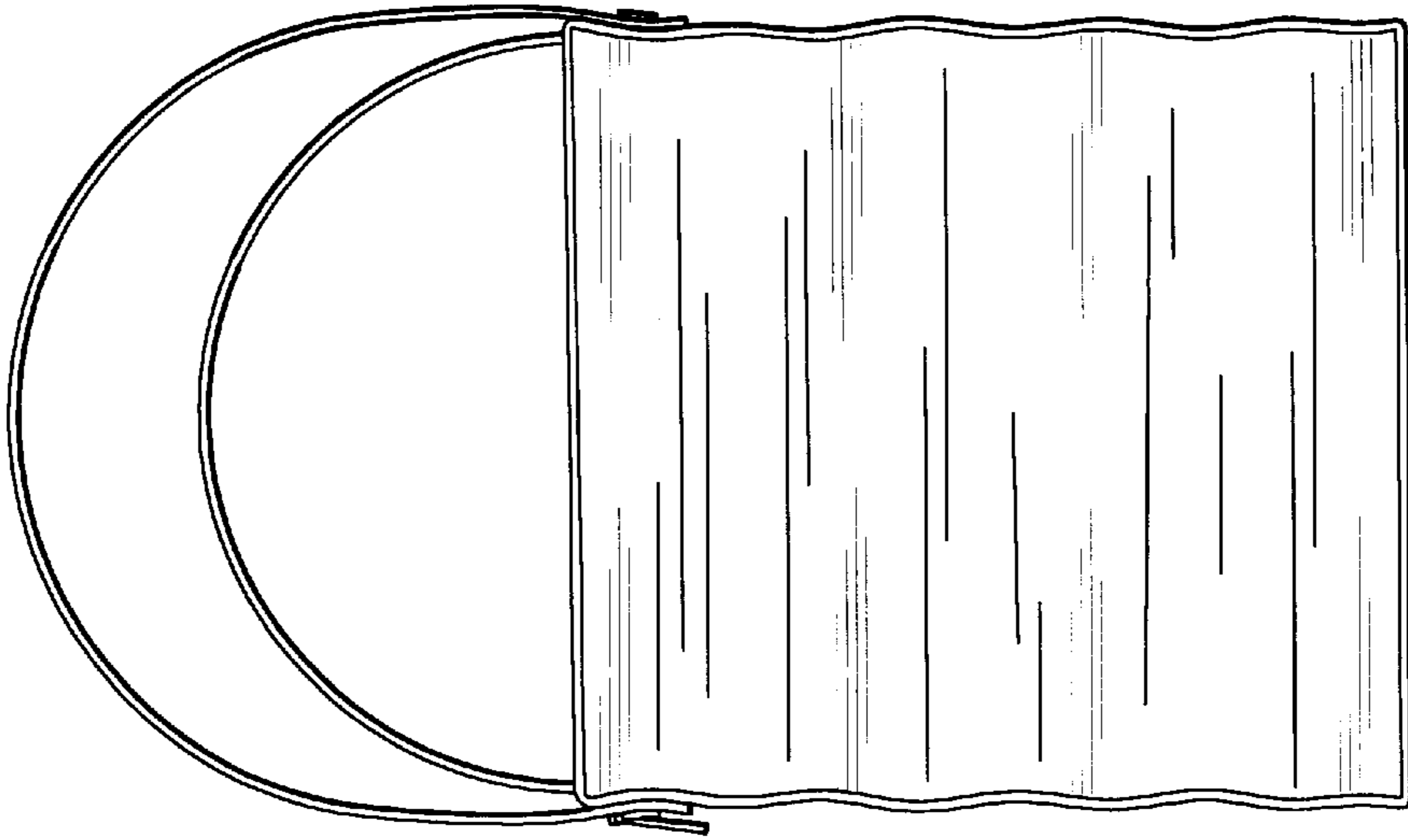


Fig. 4

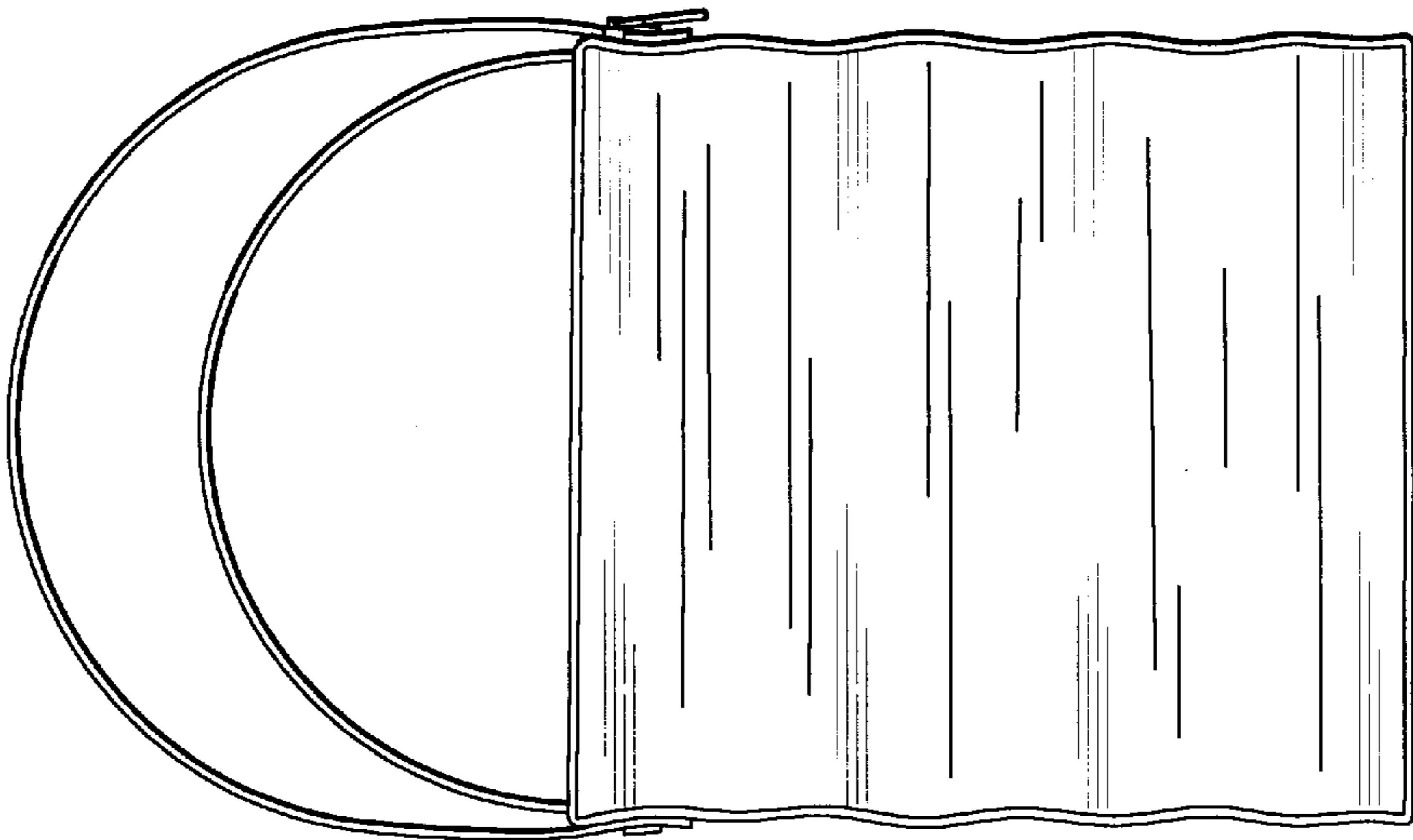


Fig. 3

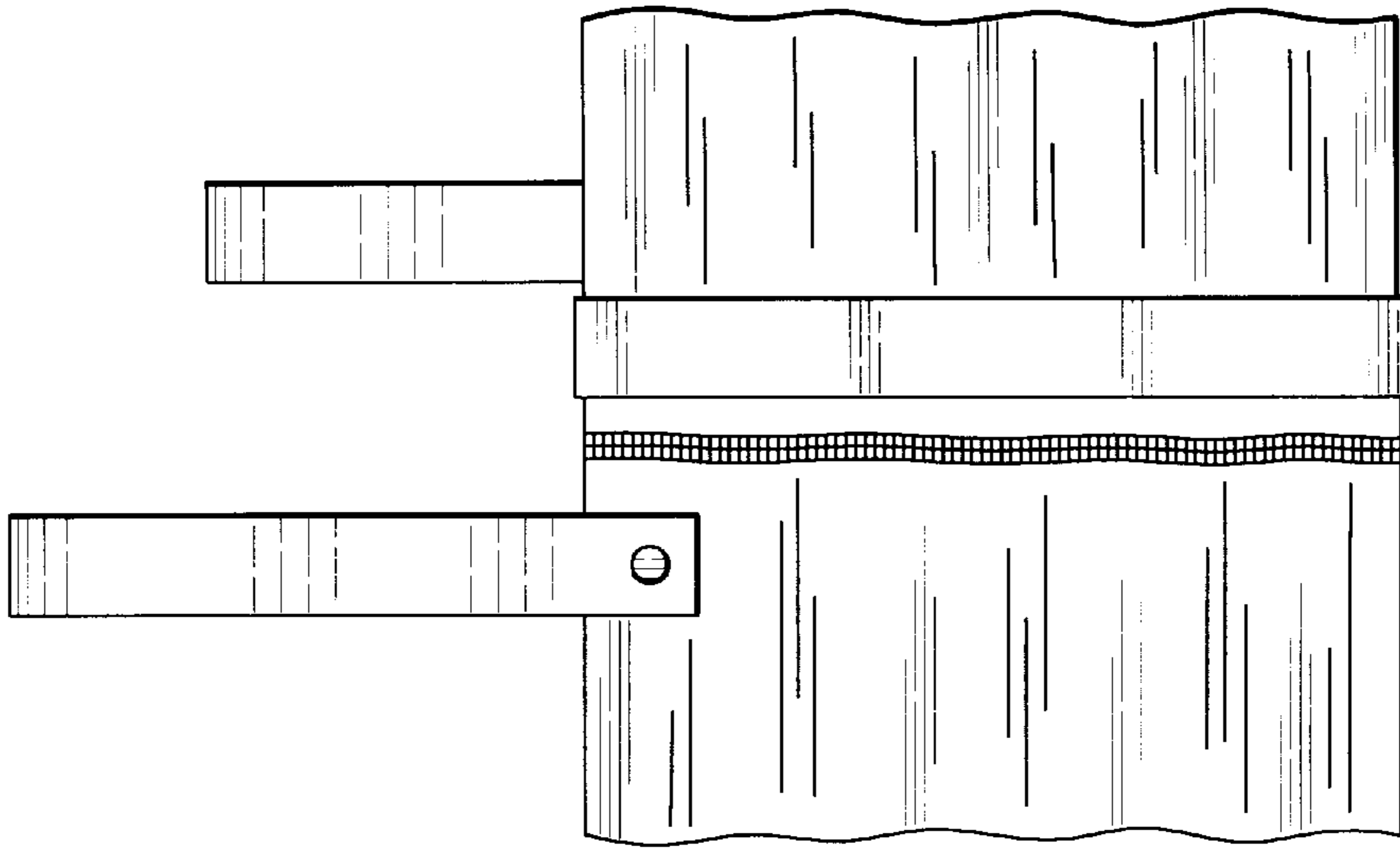


Fig. 6

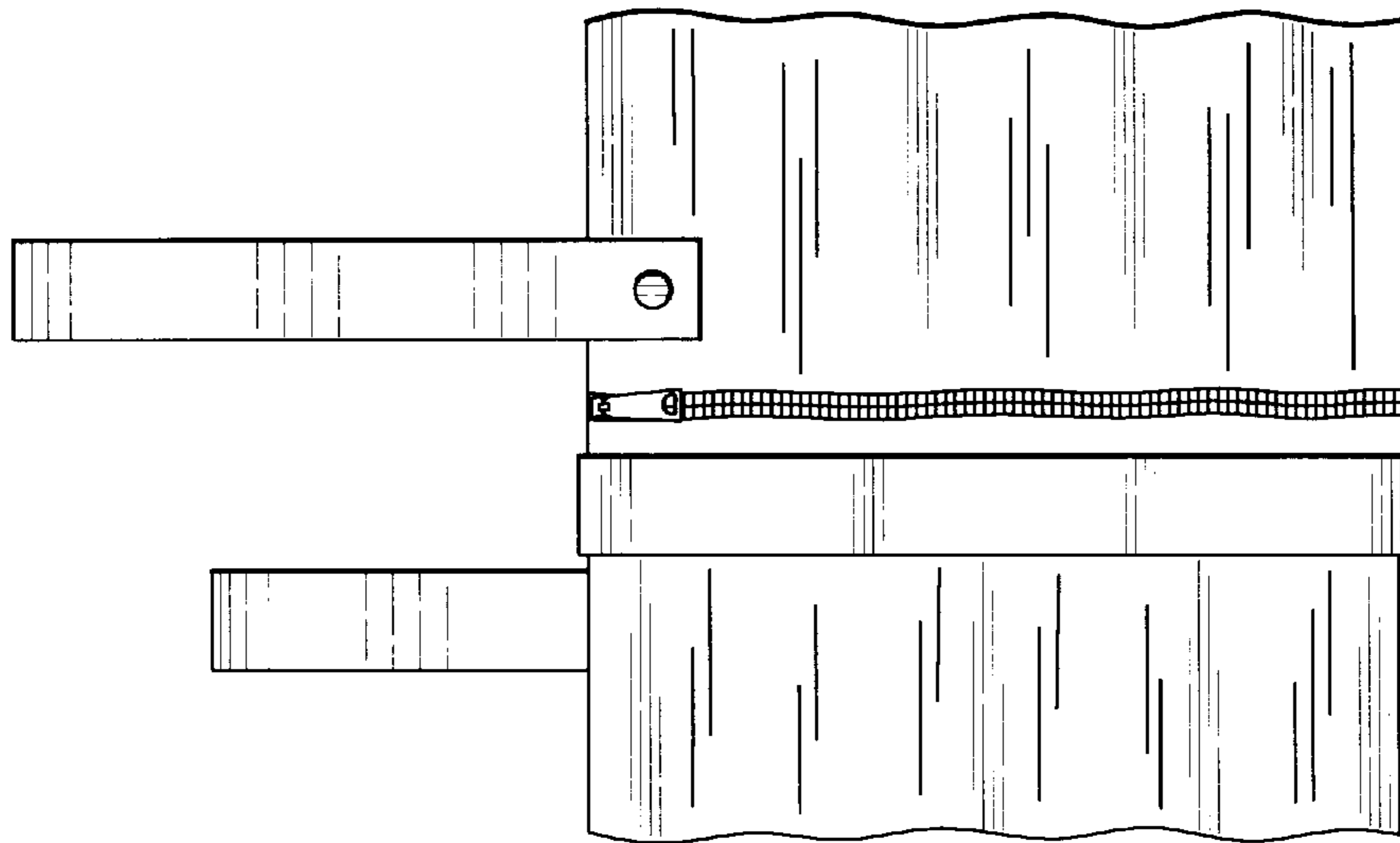


Fig. 5

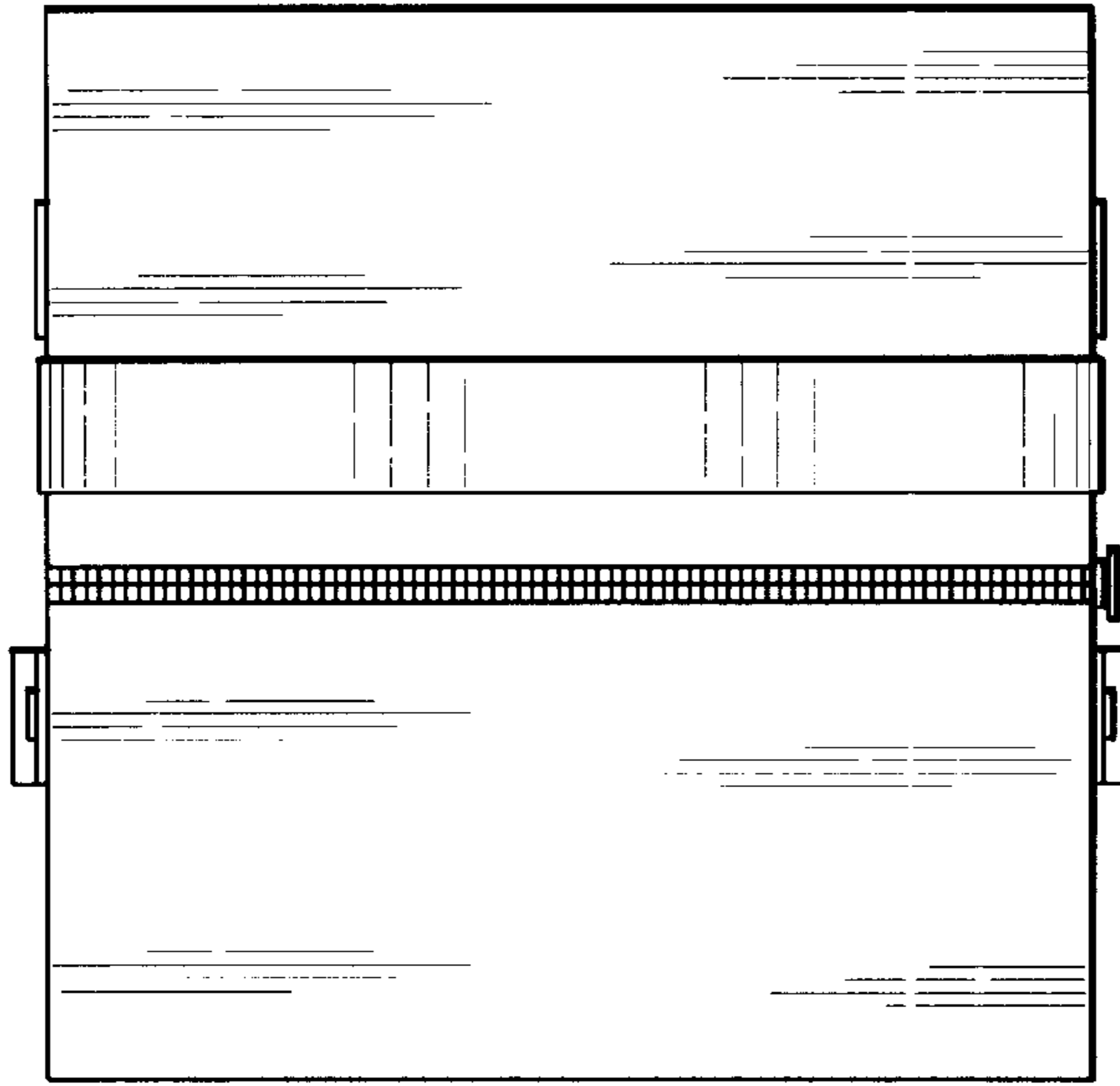


Fig. 8

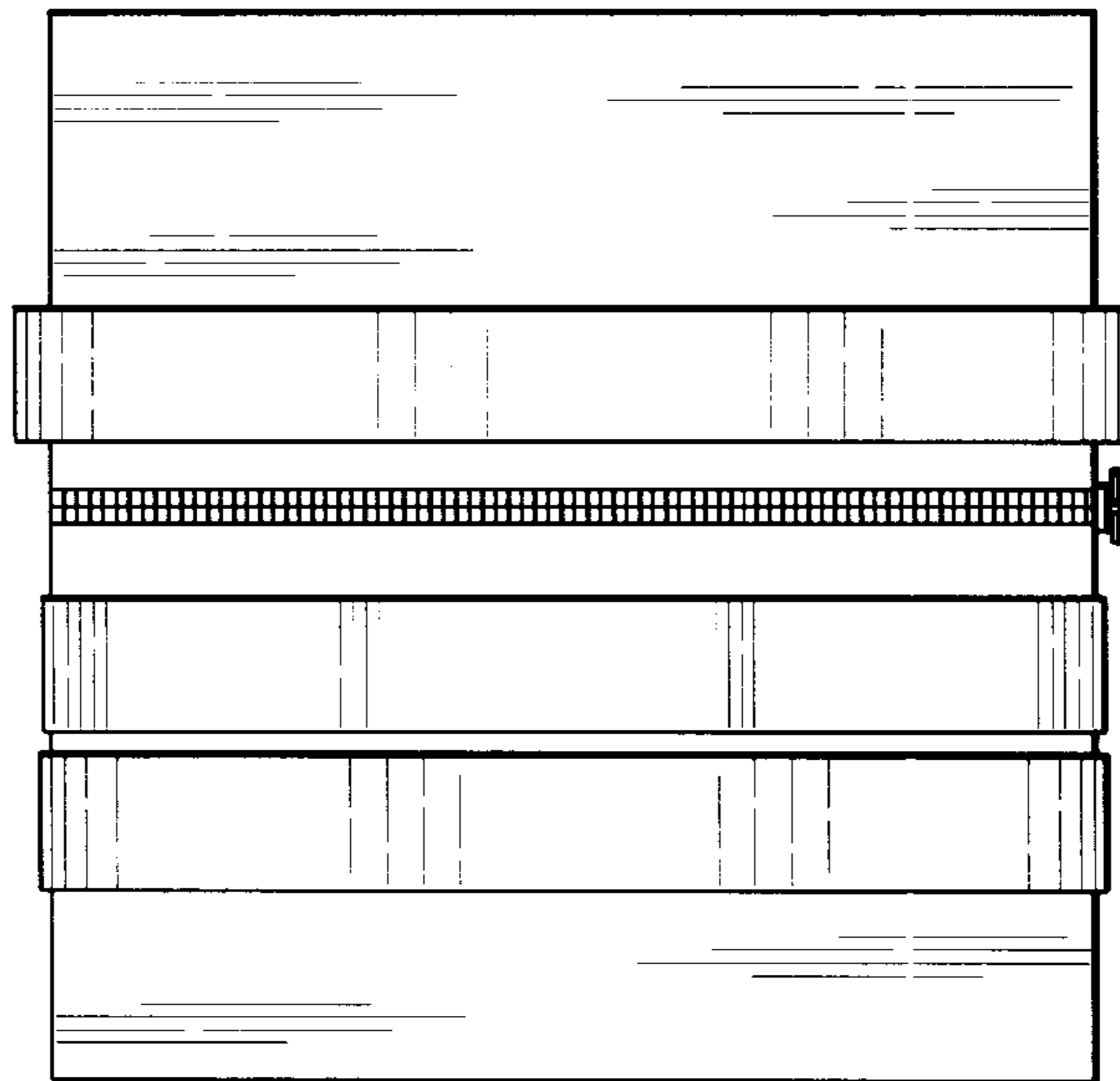


Fig. 7