



US00D415642S

United States Patent [19]
Daley

[11] **Patent Number: Des. 415,642**

[45] **Date of Patent: ** Oct. 26, 1999**

[54] **BATTERY POWERED ROLL PAPER DISPENSER**

[76] Inventor: **Wayne Daley**, 1628 W. 59th Pl., Los Angeles, Calif. 90047

[**] Term: **14 Years**

[21] Appl. No.: **29/094,191**

[22] Filed: **Sep. 28, 1998**

[51] **LOC (6) Cl.** **06-02**

[52] **U.S. Cl.** **D6/523**

[58] **Field of Search** D6/518-523; 206/309, 206/390, 391; 242/55.2, 55.3, 55.42, 55.53; 312/37

[56] **References Cited**

U.S. PATENT DOCUMENTS

D. 296,058	6/1988	Pirrone	D6/521
D. 325,142	4/1992	Morand	D6/523
2,616,632	11/1952	Birr et al.	242/55.42

Primary Examiner—Marcus A. Jackson
Attorney, Agent, or Firm—Goldstein & Canino

[57] **CLAIM**

The ornamental design for a battery powered roll paper dispenser, as shown and described.

DESCRIPTION

FIG. 1 is a diagrammatic perspective view of the battery powered roll paper dispenser in full lines with a roll of paper shown in broken lines representing environmental association matter being for illustrative purposes only and forming no part of the claimed invention.

FIG. 2 is a left side elevational view thereof.

FIG. 3 is a right side elevational view thereof.

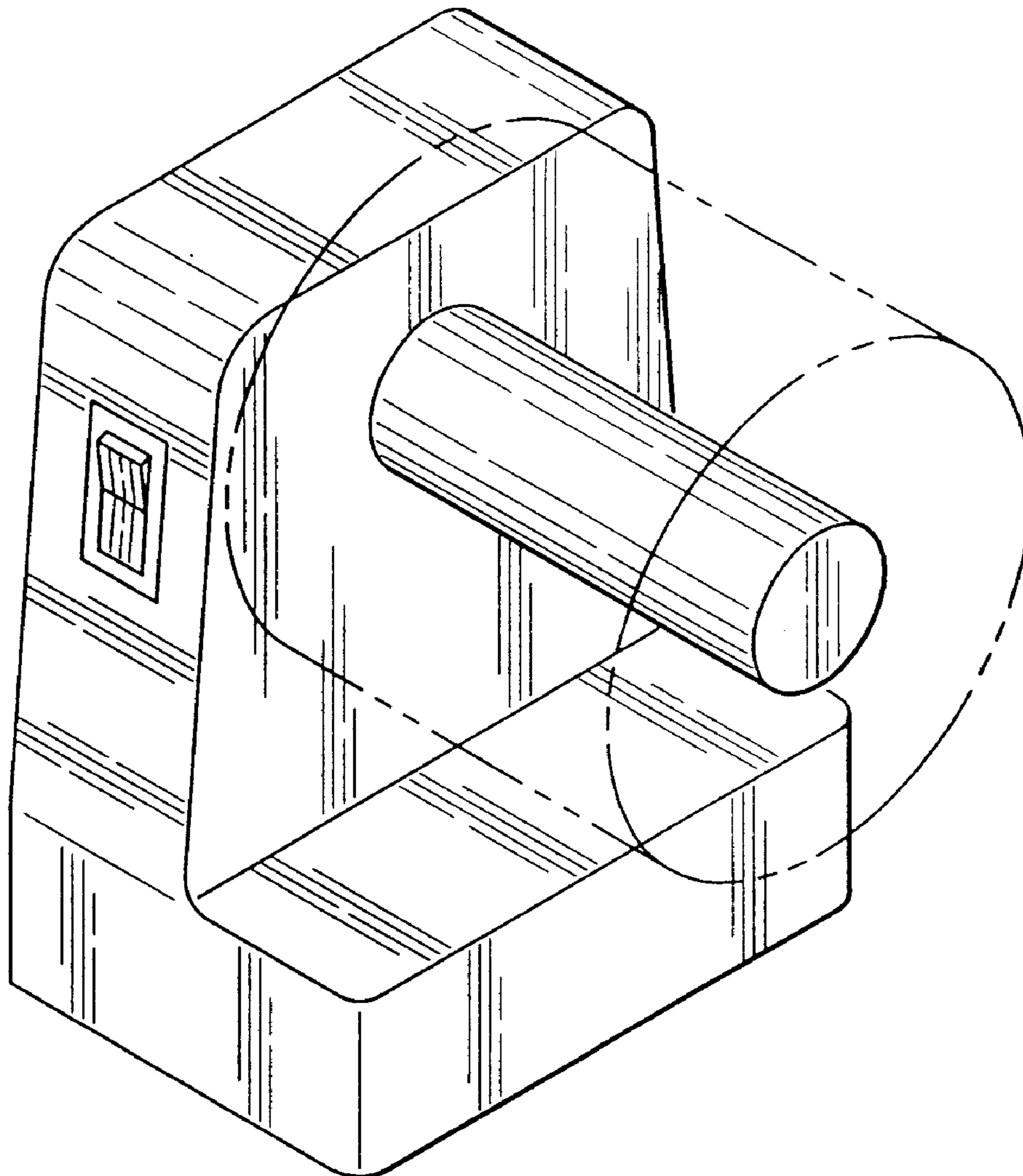
FIG. 4 is a front elevational view thereof.

FIG. 5 is a rear elevational view thereof.

FIG. 6 is a top plan view of the battery powered roll paper dispenser; and,

FIG. 7 is a bottom plan view thereof.

1 Claim, 2 Drawing Sheets



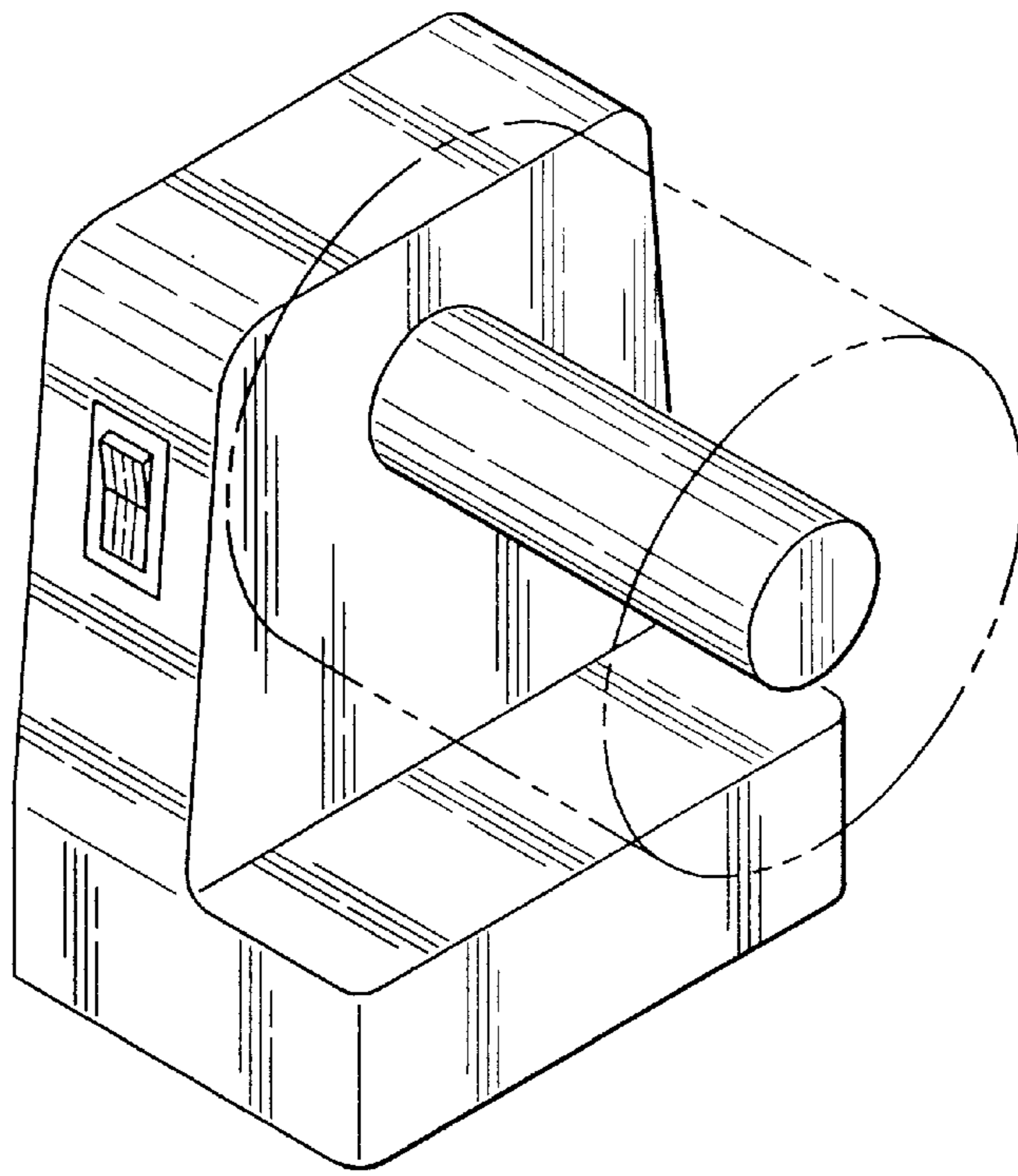


Fig. 1

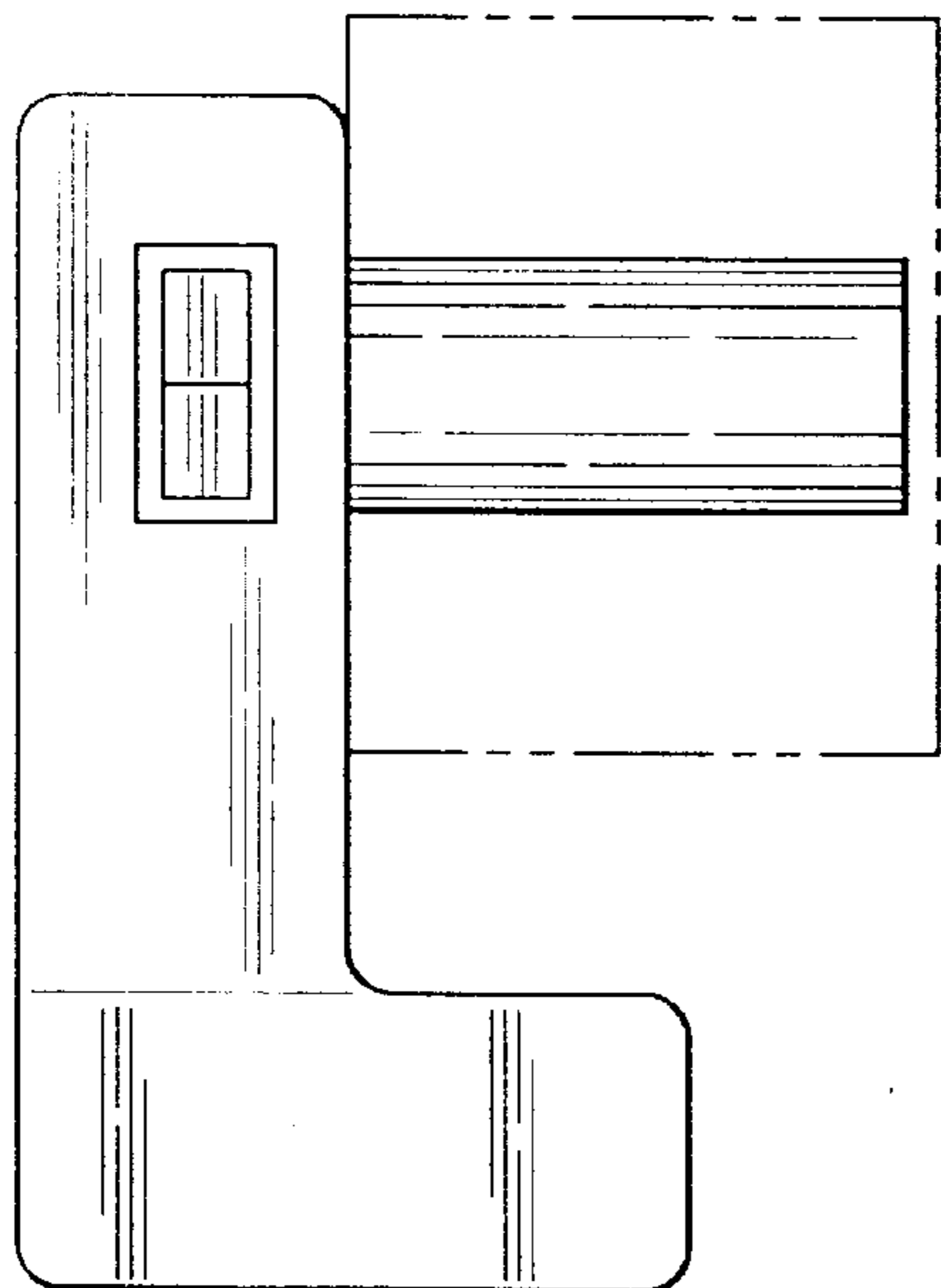


Fig. 2

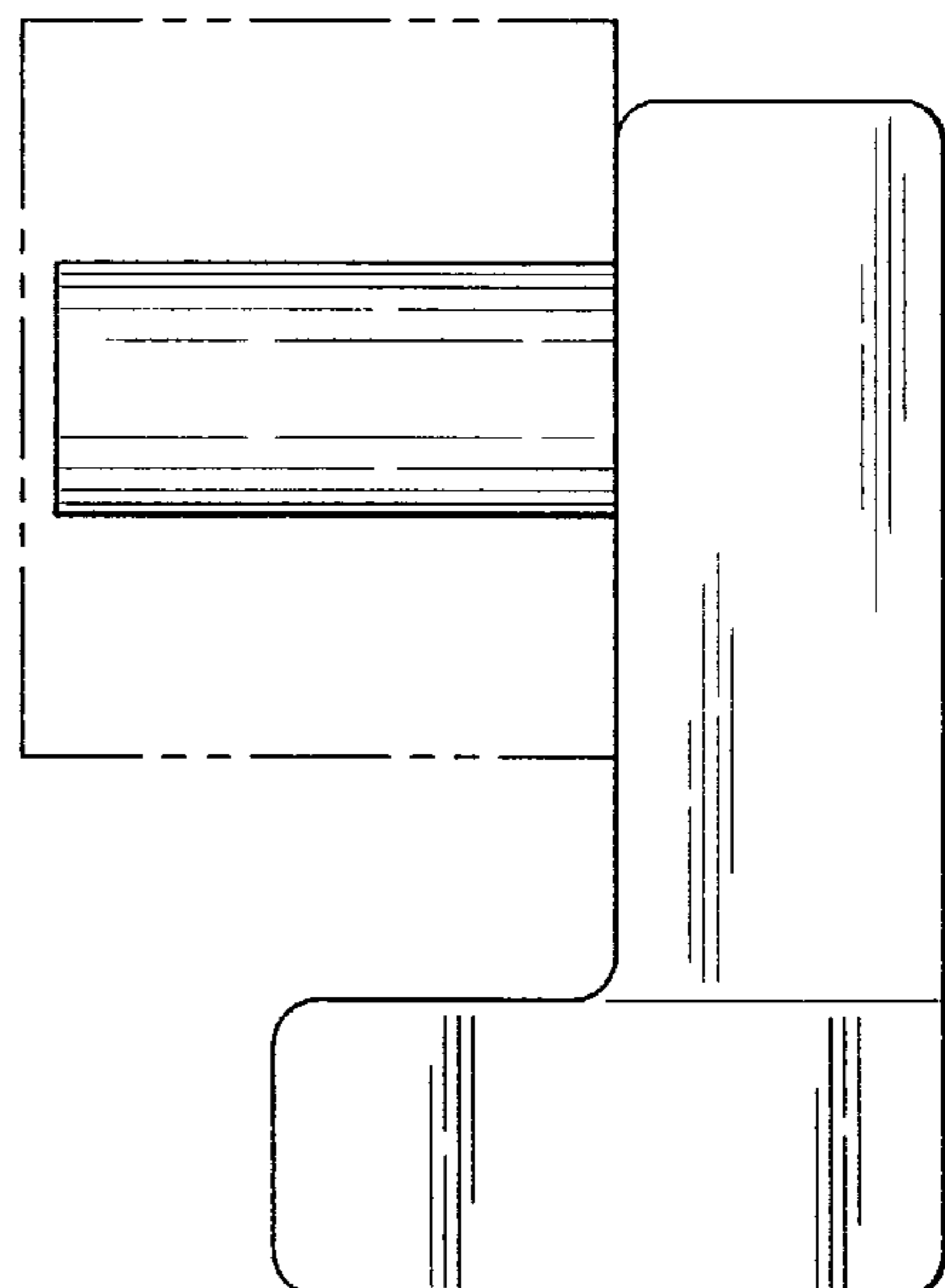


Fig. 3

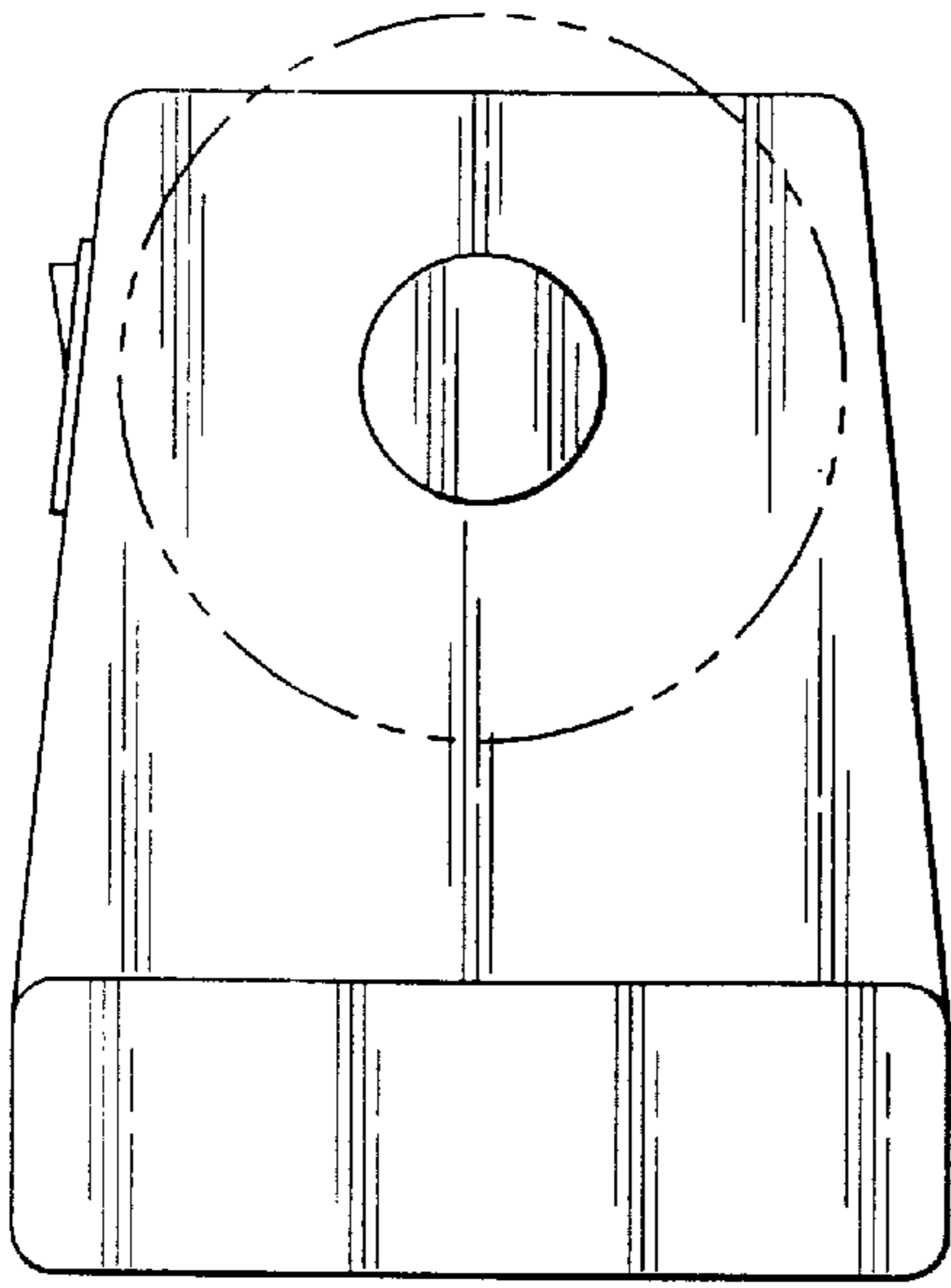


Fig. 4

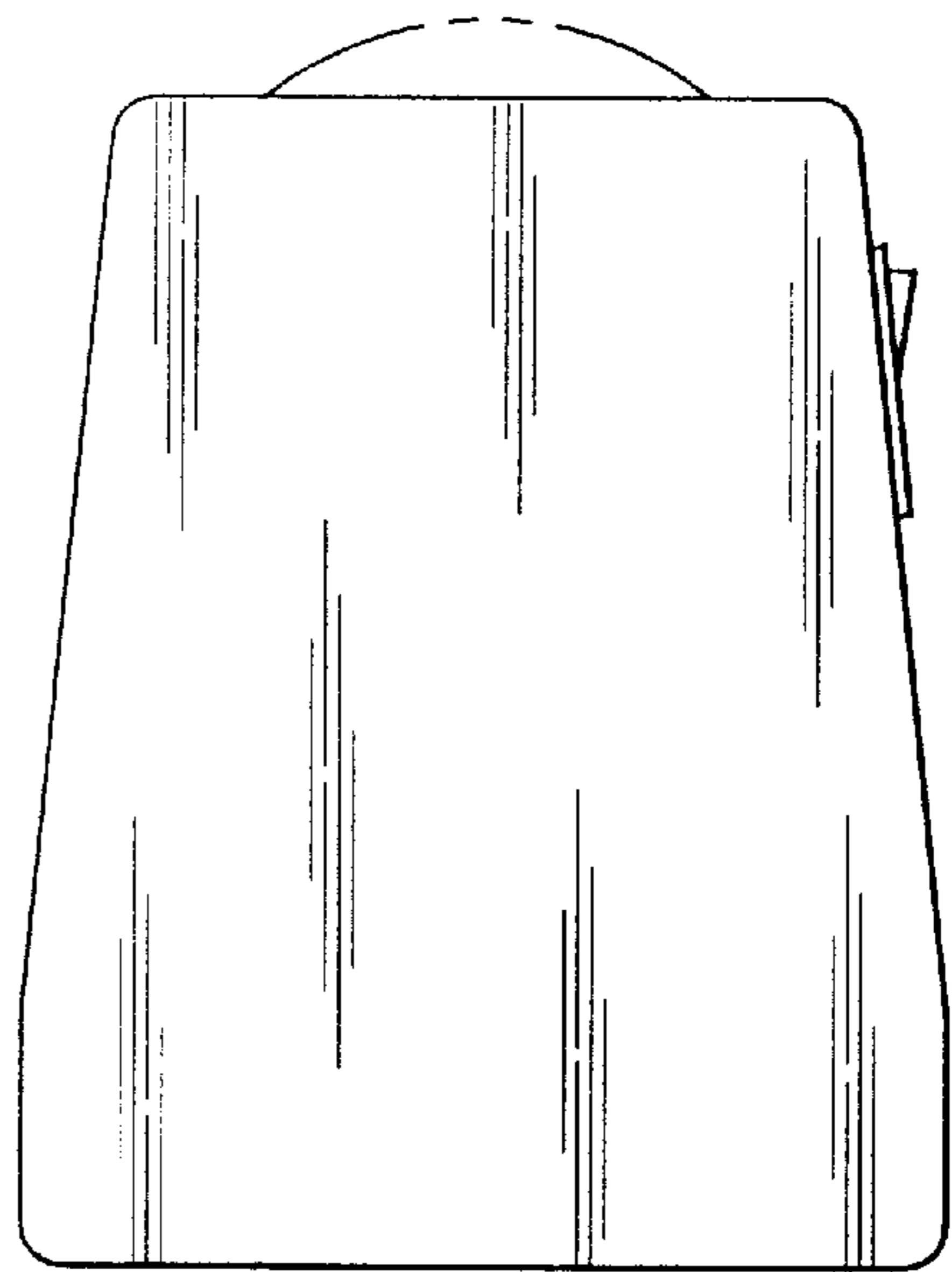


Fig. 5

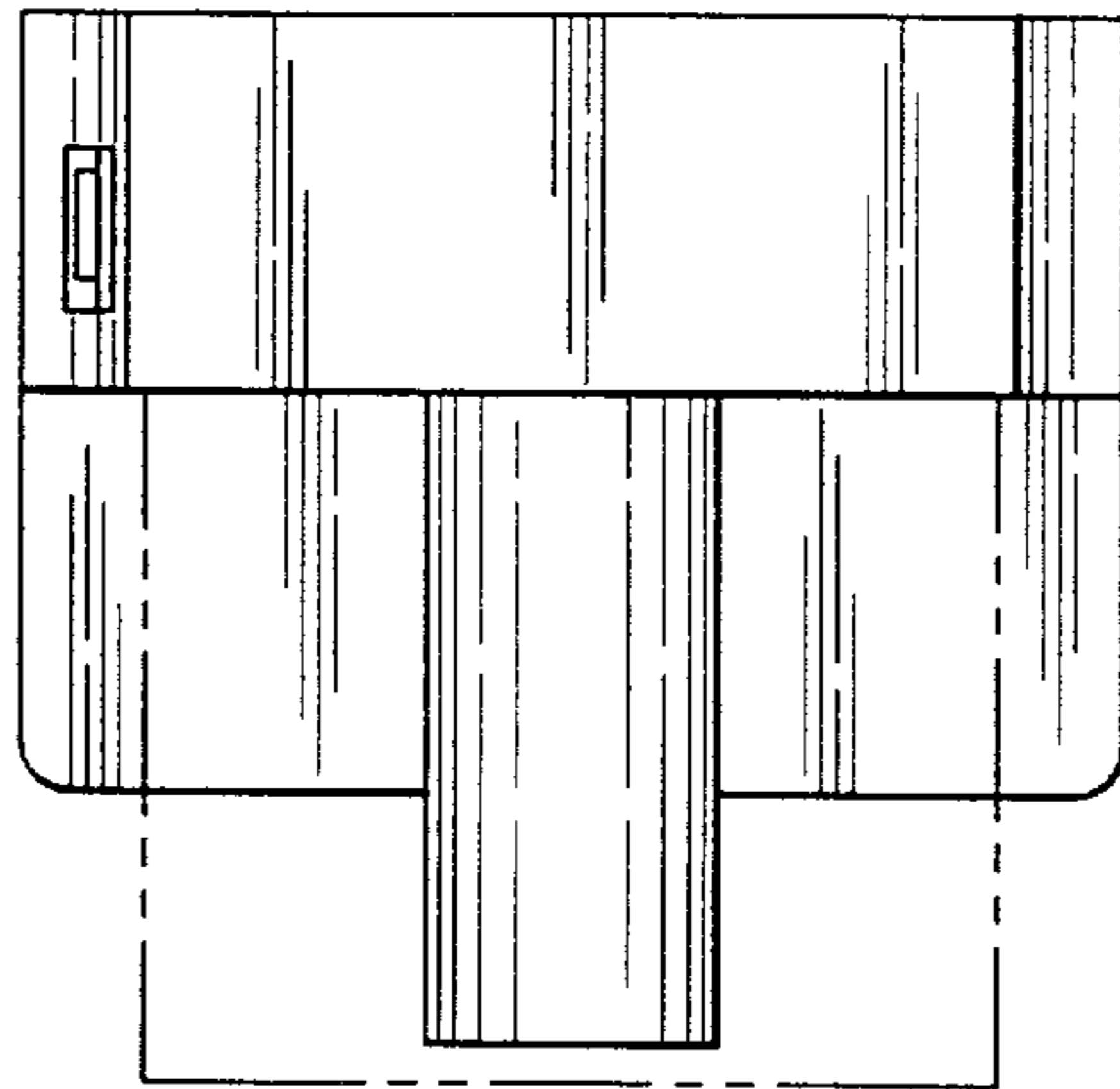


Fig. 6

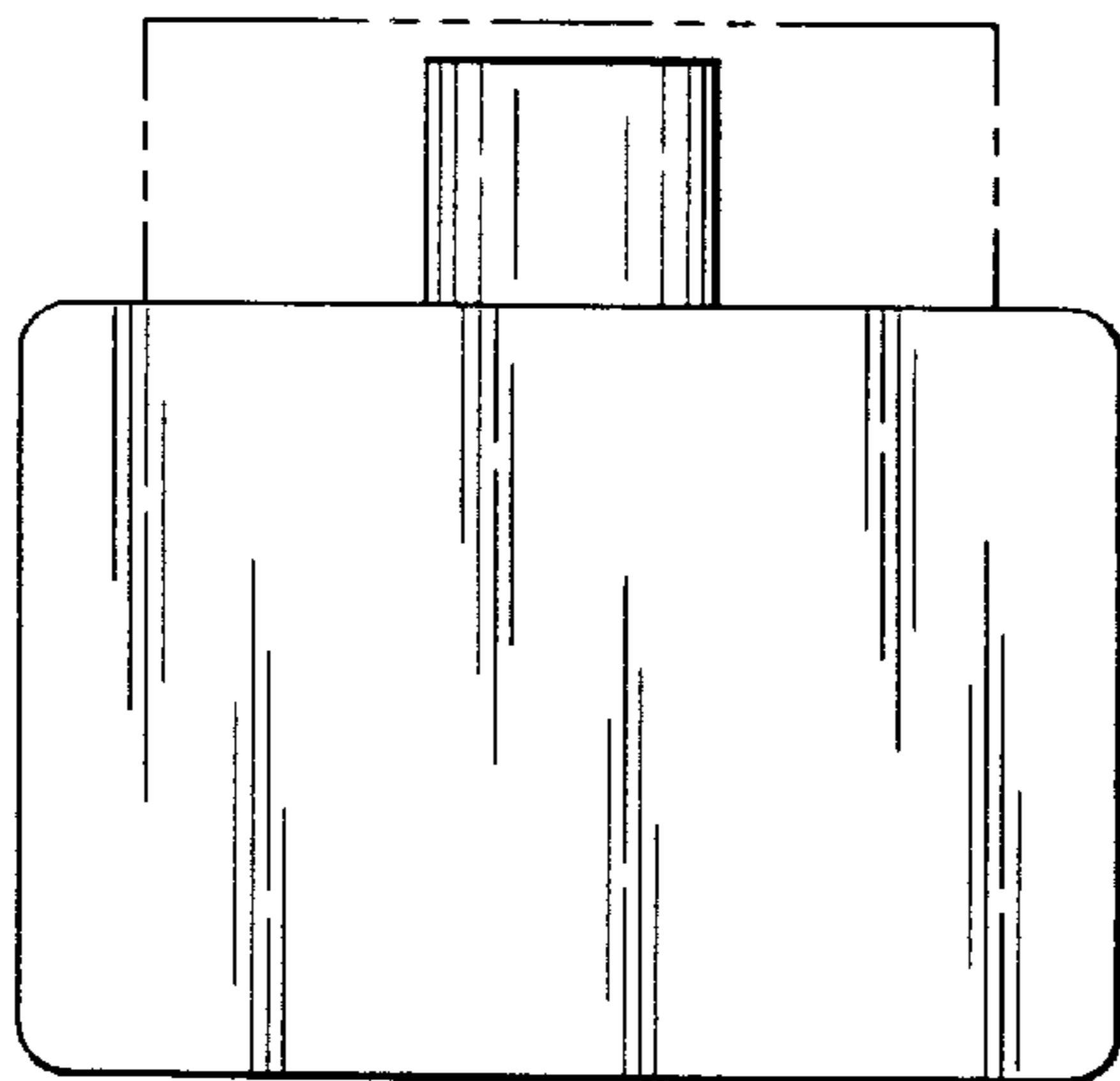


Fig. 7