



US00D415639S

United States Patent [19]

Turner et al.

[11] **Patent Number: Des. 415,639**

[45] **Date of Patent: ** Oct. 26, 1999**

[54] **CHAIR ARM**

D. 390,712 2/1998 Koepke et al. D6/366
D. 397,263 8/1998 Gryp D6/501

[75] Inventors: **Dennis M. Turner**, Mooresville;
Timothy D. Holtke, New Whiteland;
Andrew B. Mendenhall, Indianapolis,
all of Ind.

Primary Examiner—Gary D. Watson
Attorney, Agent, or Firm—Barnes & Thornburg

[73] Assignee: **Cosco, Inc.**, Columbus, Ind.

[**] Term: **14 Years**

[57] **CLAIM**

The ornamental design for a chair arm, as shown and described.

[21] Appl. No.: **29/092,284**

DESCRIPTION

[22] Filed: **Aug. 14, 1998**

FIG. 1 is a perspective view of a chair arm in accordance with our design;

[51] **LOC (6) Cl.** **06-06**

FIG. 2 is a front elevational view thereof;

[52] **U.S. Cl.** **D6/501; D6/366**

FIG. 3 is a top plan view thereof;

[58] **Field of Search** D6/334, 364, 365,
D6/366, 367, 379, 500, 501, 502; 297/411.2

FIG. 4 is a right-side elevational view thereof;

FIG. 5 is a left-side elevational view thereof;

FIG. 6 is a rear elevational view thereof; and,

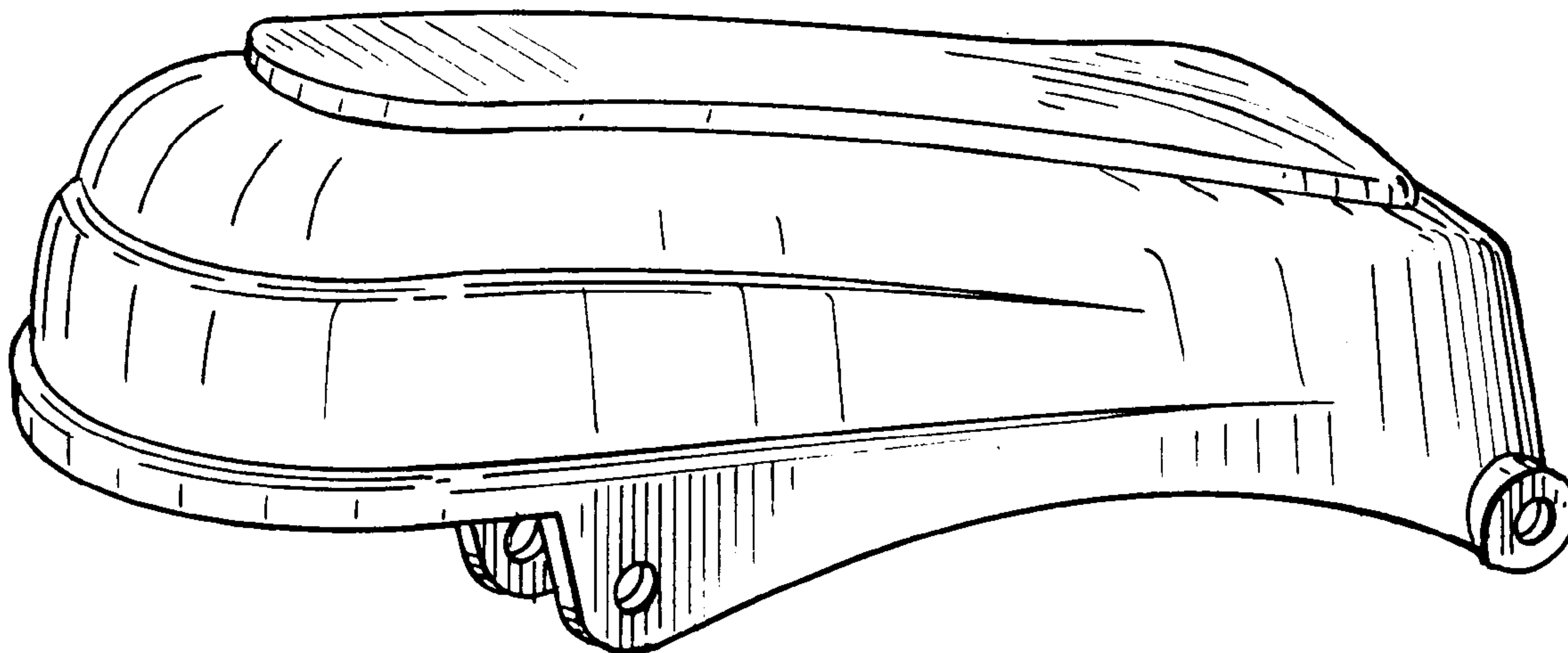
FIG. 7 is a bottom view thereof.

[56] **References Cited**

U.S. PATENT DOCUMENTS

D. 372,595 8/1996 Schultz et al. D6/366

1 Claim, 2 Drawing Sheets



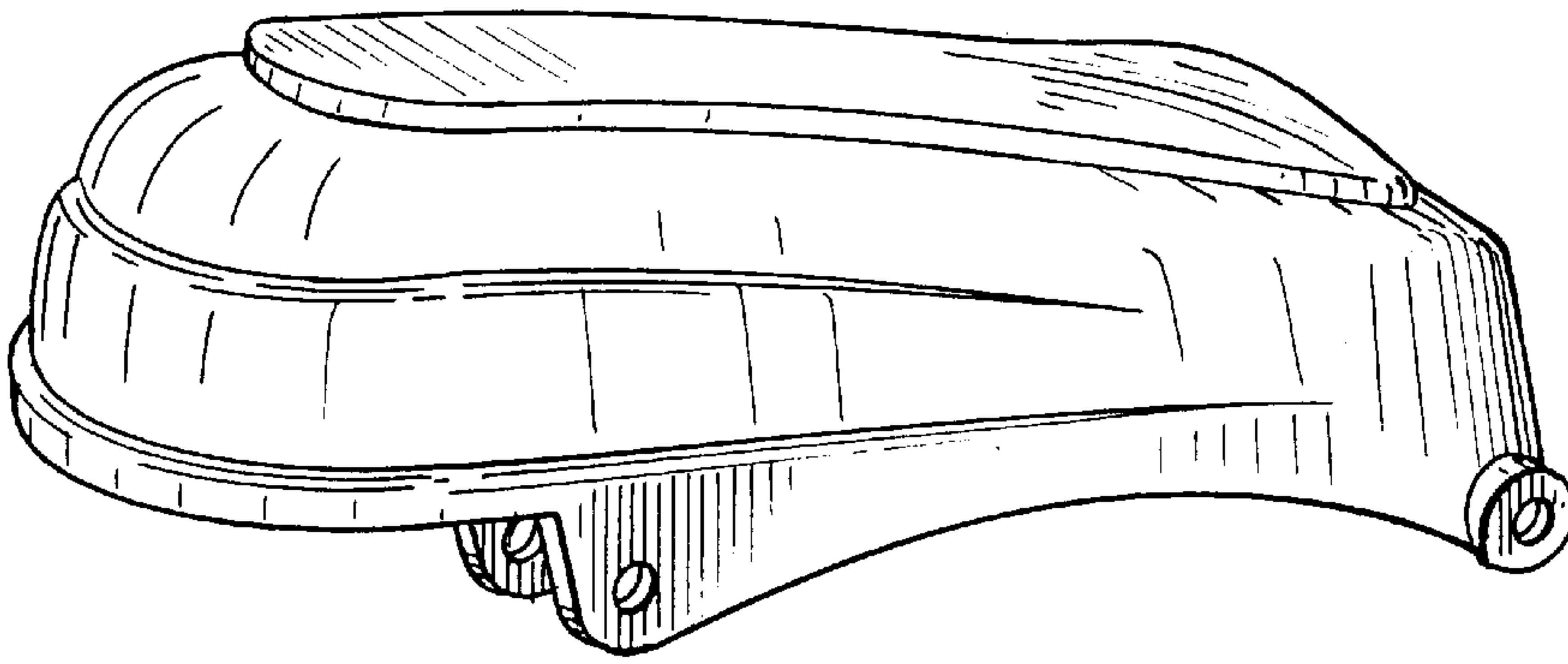


FIG. 1

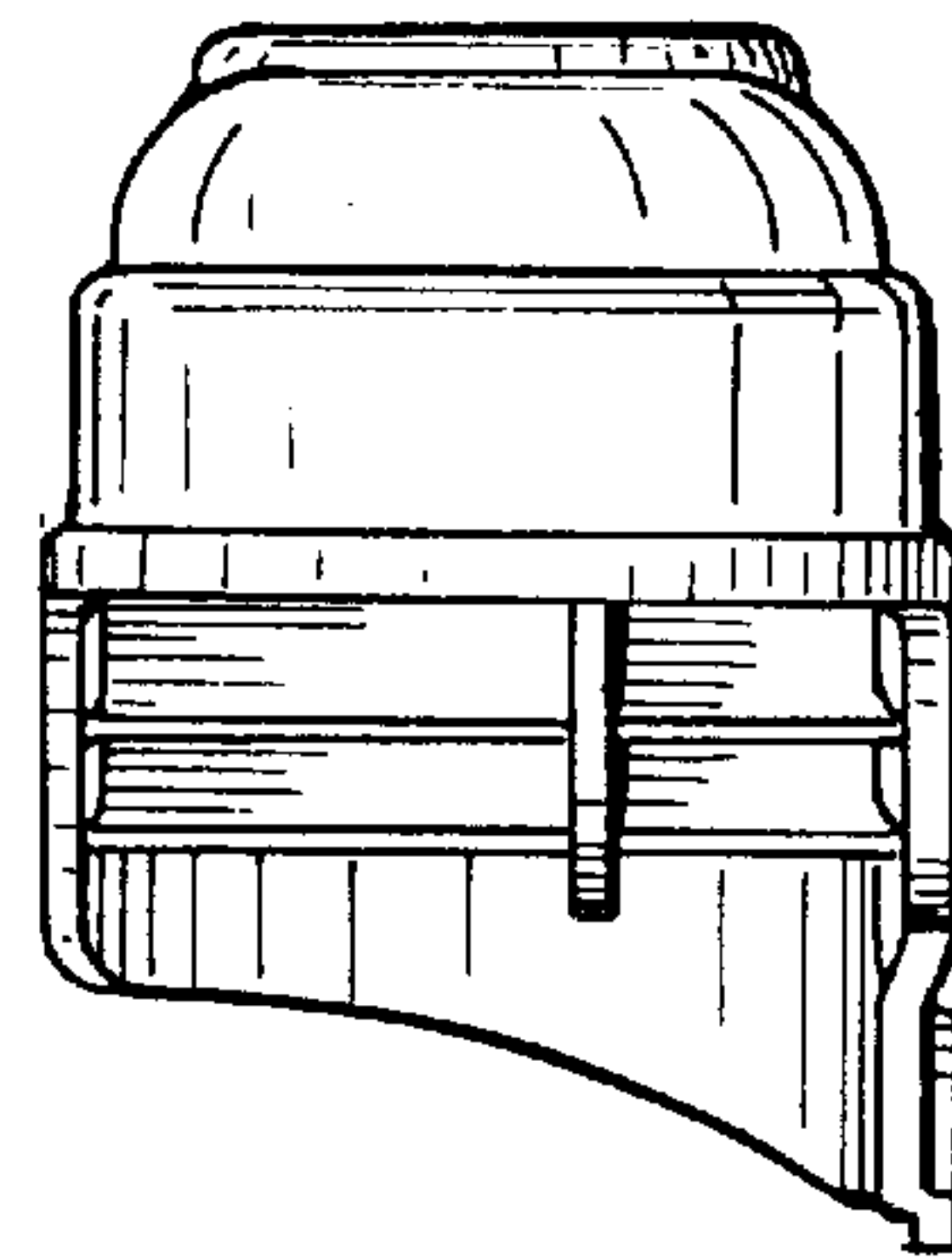


FIG. 2

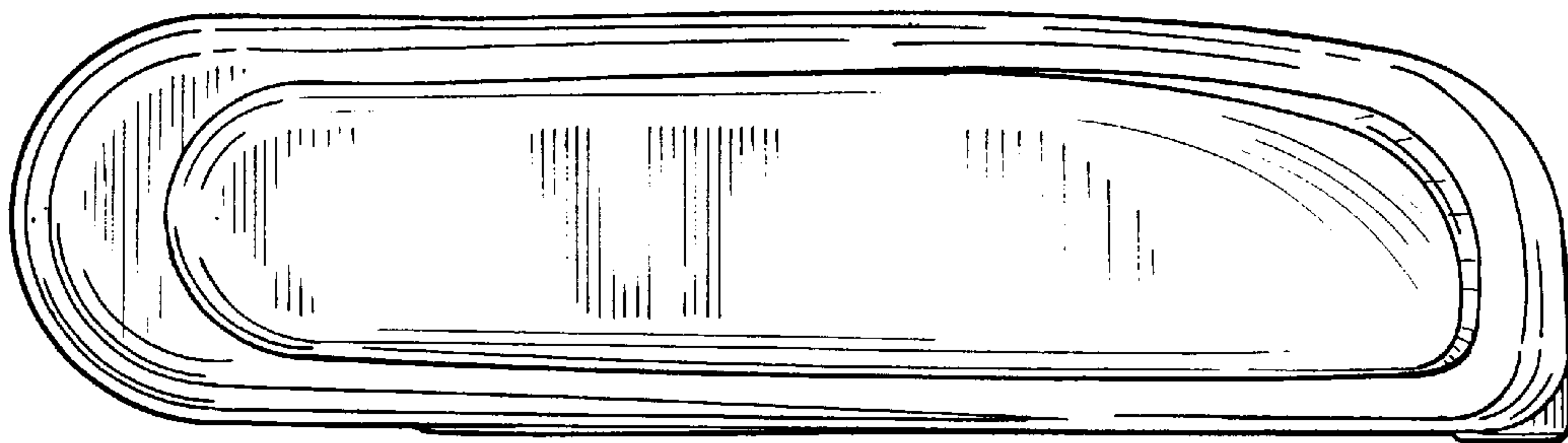


FIG. 3

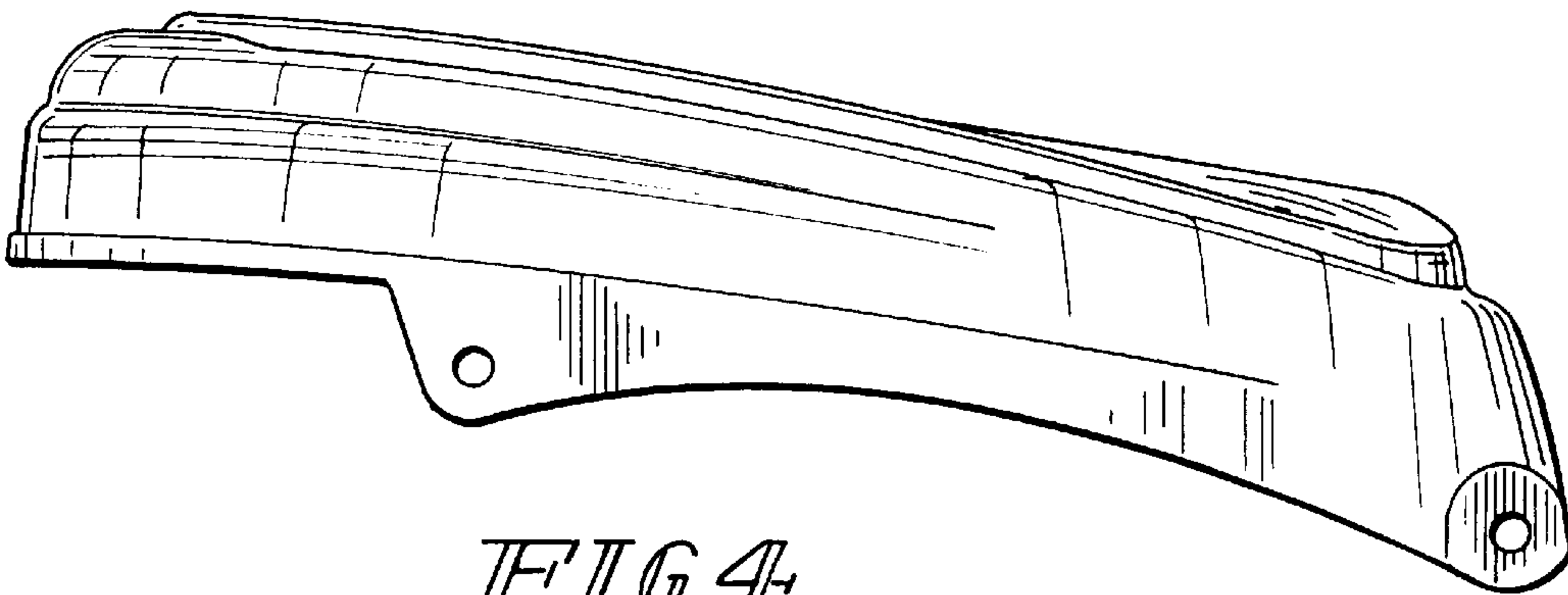


FIG. 4

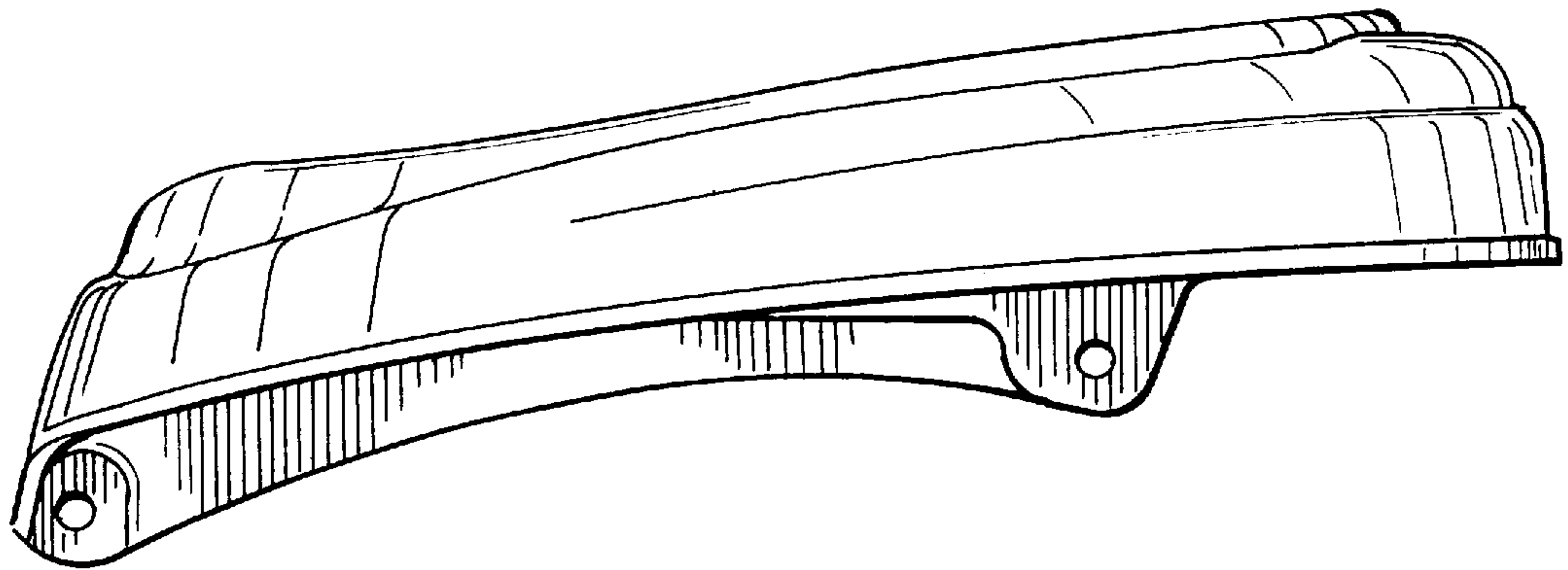


FIG. 5

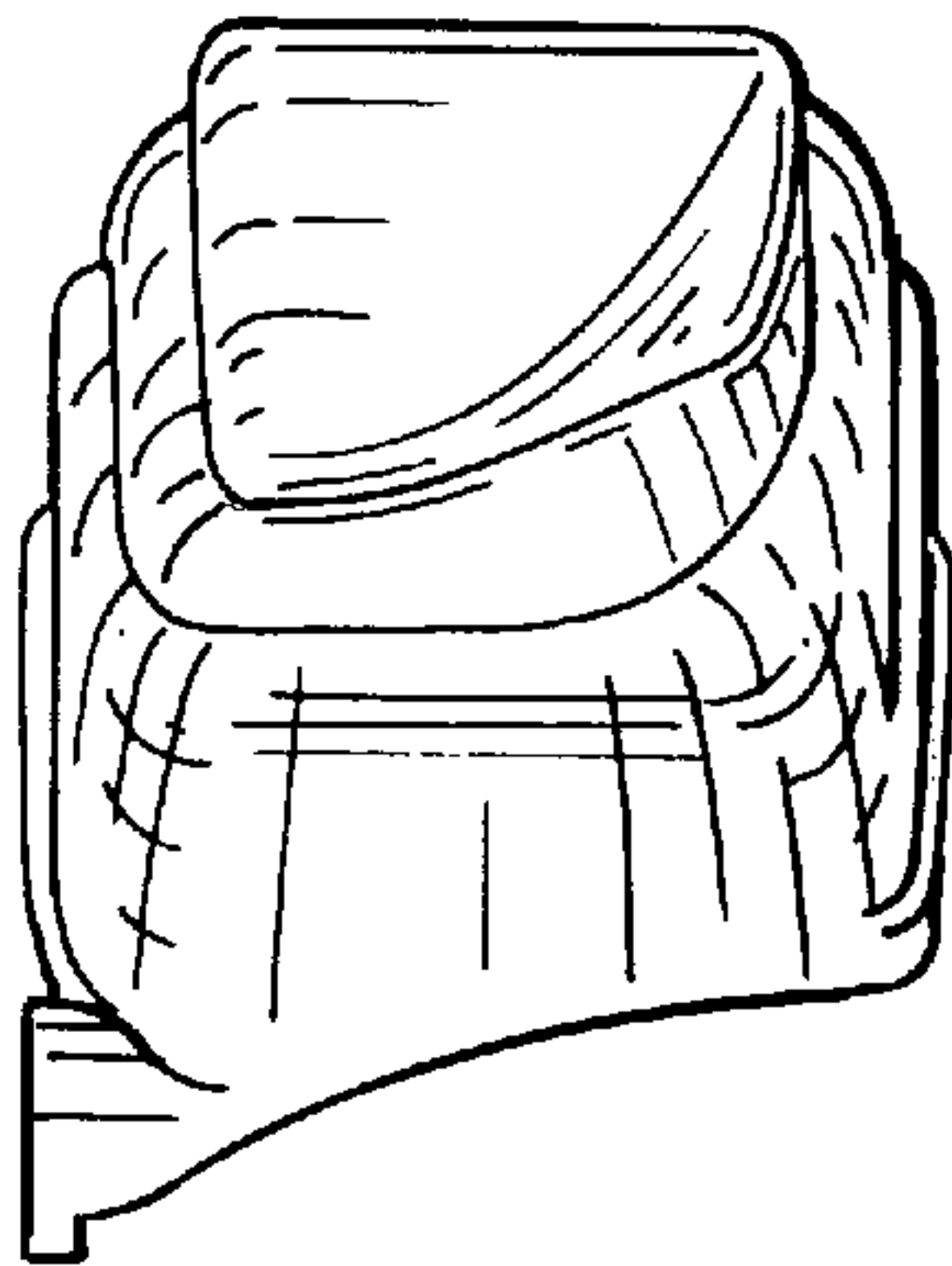


FIG. 6

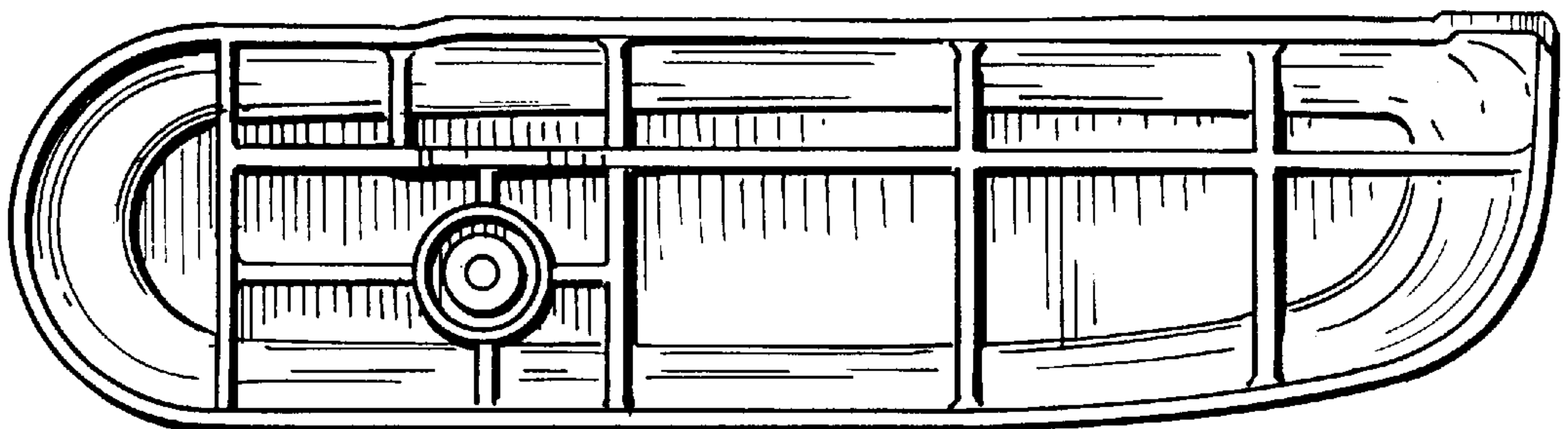


FIG. 7