



US00D415637S

# United States Patent [19] Goble

[11] **Patent Number: Des. 415,637**

[45] **Date of Patent: \*\* Oct. 26, 1999**

[54] **MODULAR OUTDOOR FURNITURE LEG**

[76] **Inventor: Rowland H. Goble**, 145 W. Crystal Lake Ave., Lake Mary, Fla. 32746-2913

[\*\*] **Term: 14 Years**

[21] **Appl. No.: 29/098,115**

[22] **Filed: Dec. 22, 1998**

[51] **LOC (6) Cl. .... 06-06**

[52] **U.S. Cl. .... D6/495**

[58] **Field of Search** ..... D6/480-489, 495, D6/496, 429; 108/153.1, 155, 156, 157.1, 161; 248/188, 188.1, 188.8

[56] **References Cited**

**U.S. PATENT DOCUMENTS**

D. 54,640 3/1920 Lothrop ..... D6/495

D. 237,660 11/1975 Bertteson ..... D6/495  
D. 305,567 1/1990 Scott ..... D25/67  
D. 360,325 7/1995 Gutgsell ..... D6/495

*Primary Examiner*—Janice E. Seeger  
*Attorney, Agent, or Firm*—William M. Hobby, III

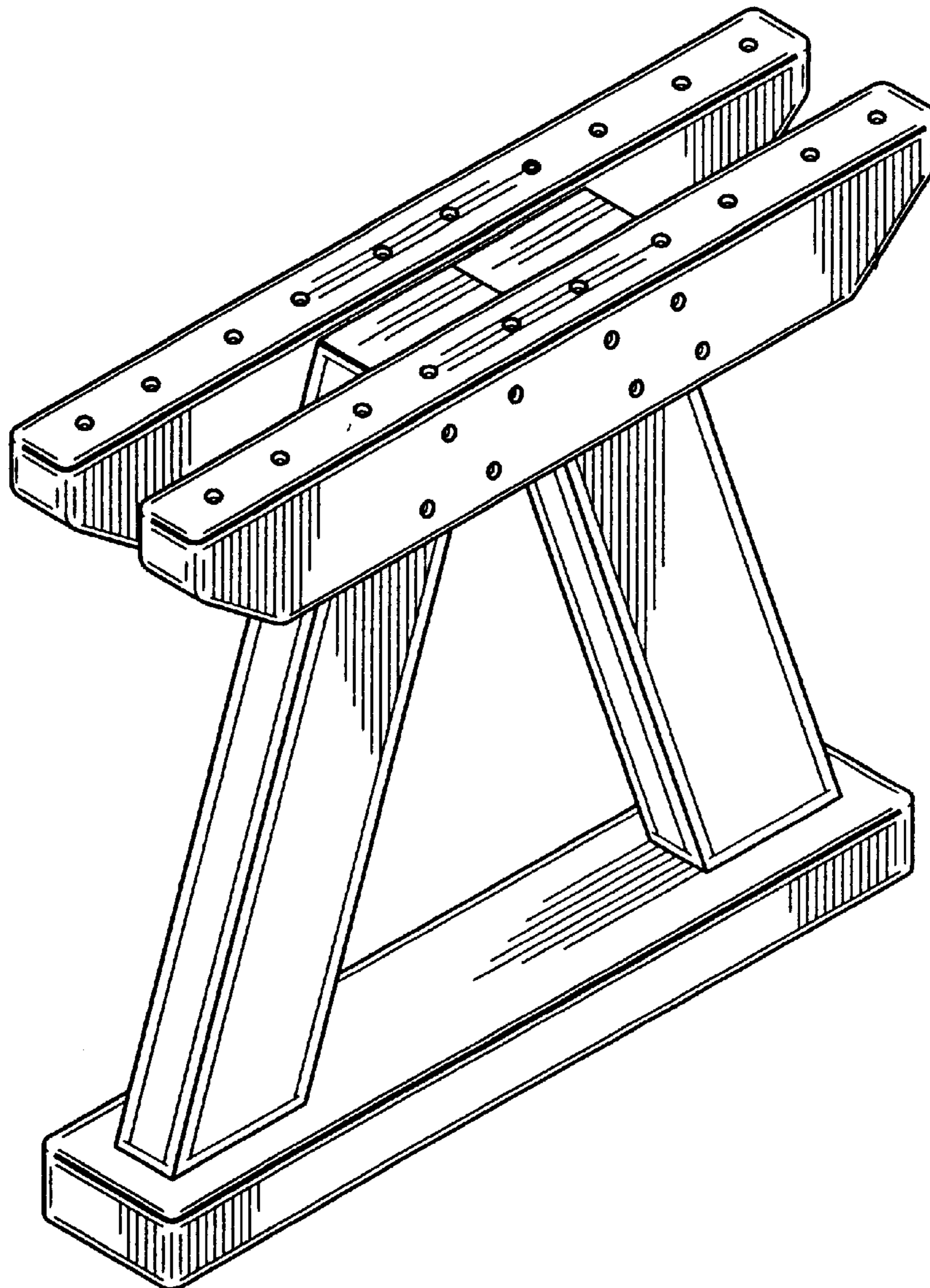
[57] **CLAIM**

The ornamental design for a modular outdoor furniture leg, as shown and described.

**DESCRIPTION**

FIG. 1 is a top, front, right side perspective view of my modular outdoor furniture leg;  
FIG. 2 is a left side elevation;  
FIG. 3 is a rear elevation;  
FIG. 4 is a top plan view; and,  
FIG. 5 is a bottom plan view.

**1 Claim, 1 Drawing Sheet**



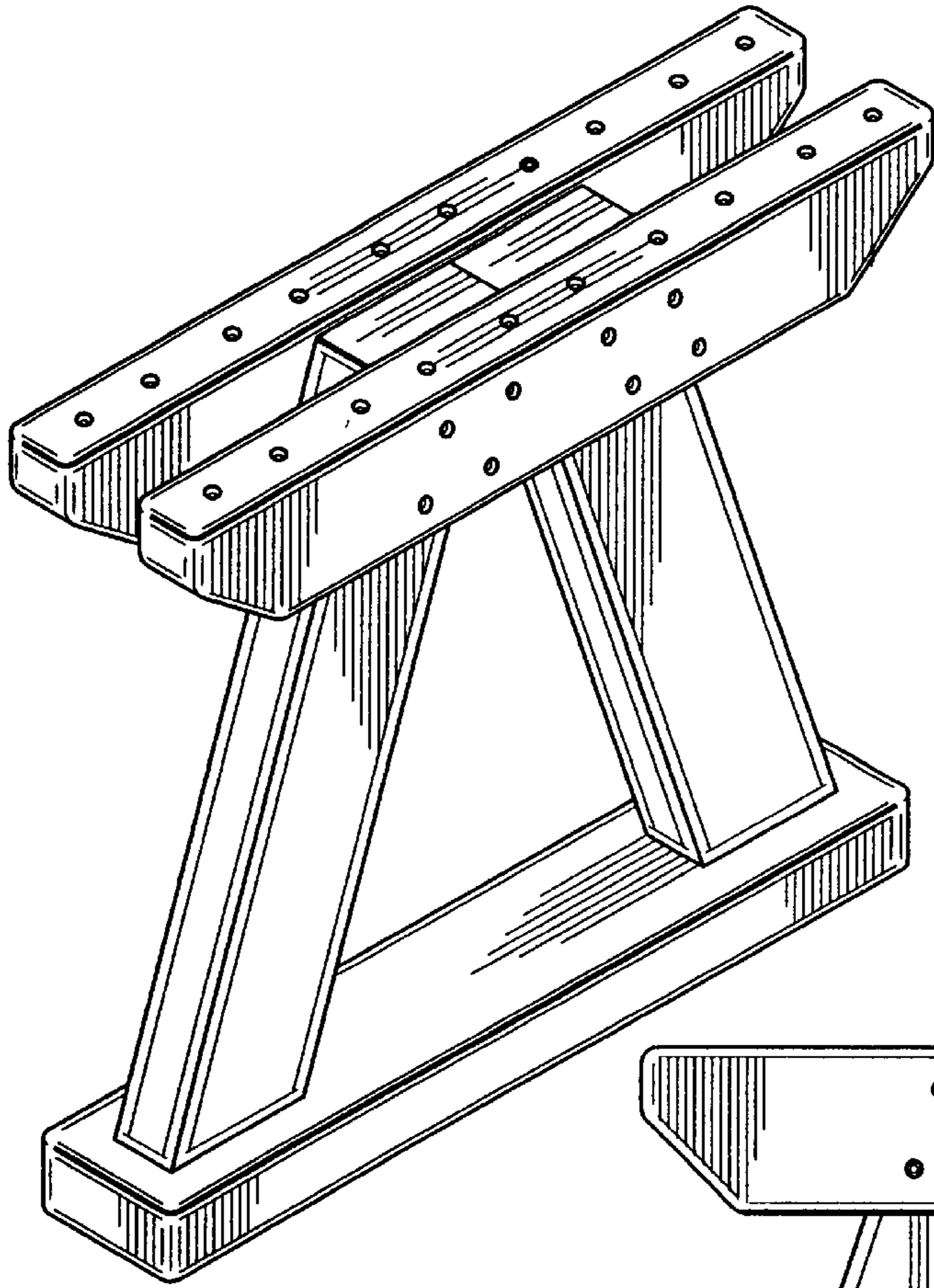


FIG. 1

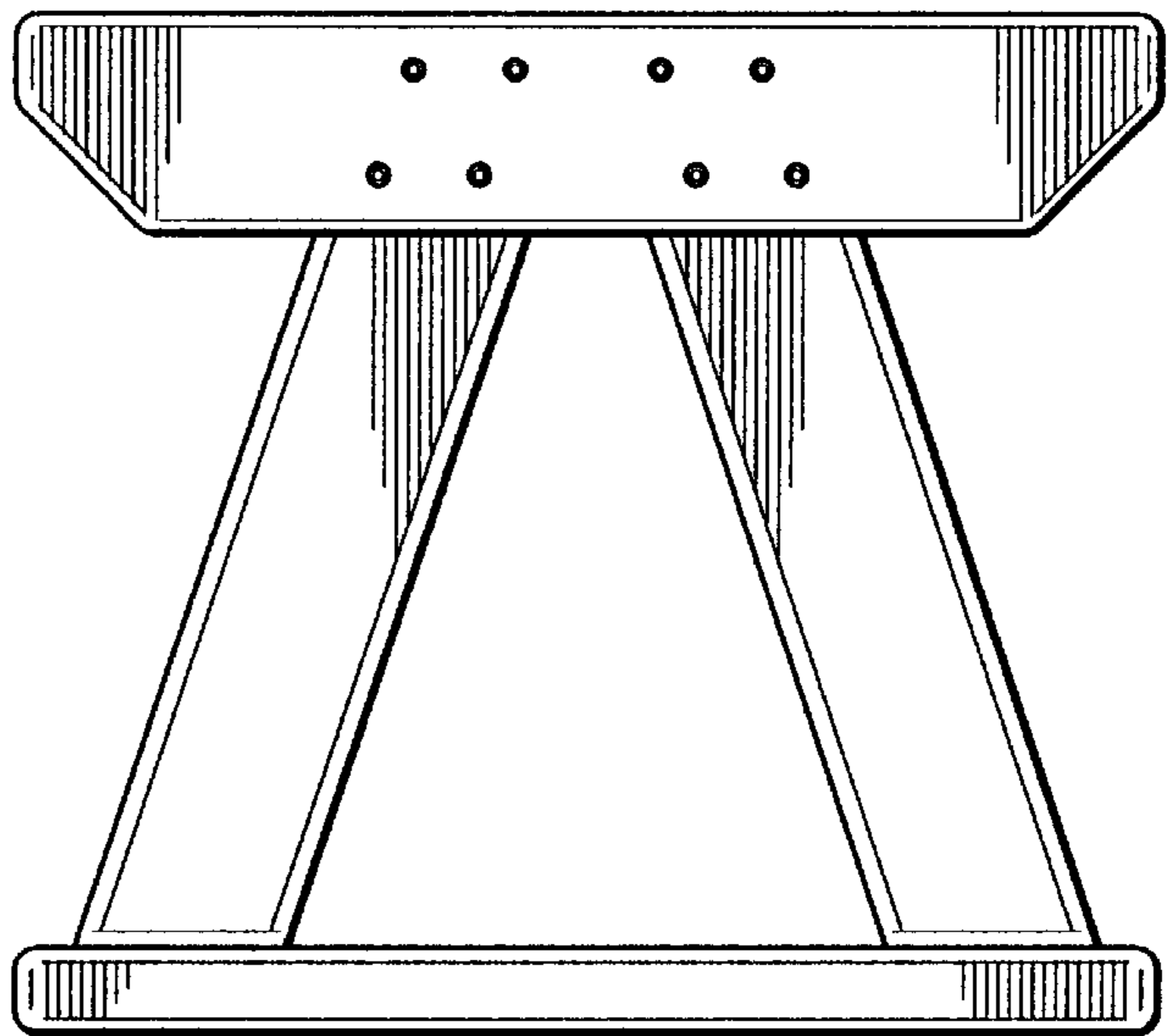


FIG. 2

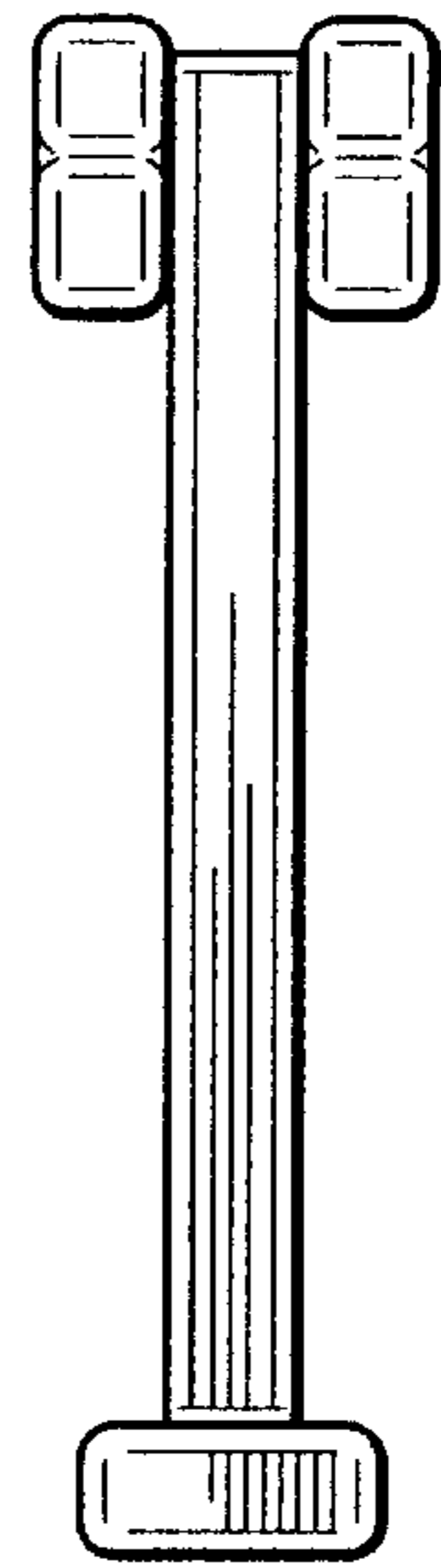


FIG. 3

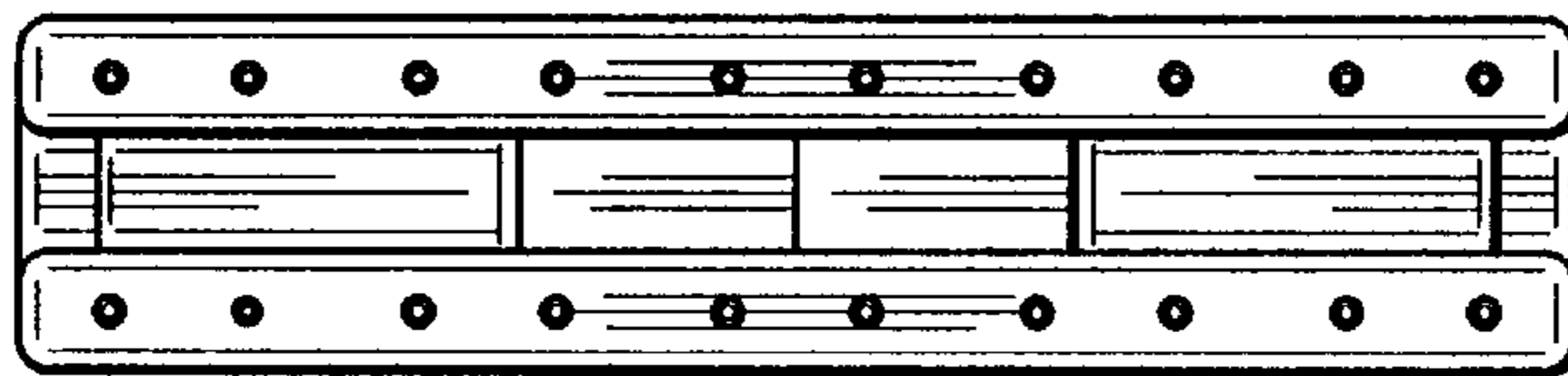


FIG. 4

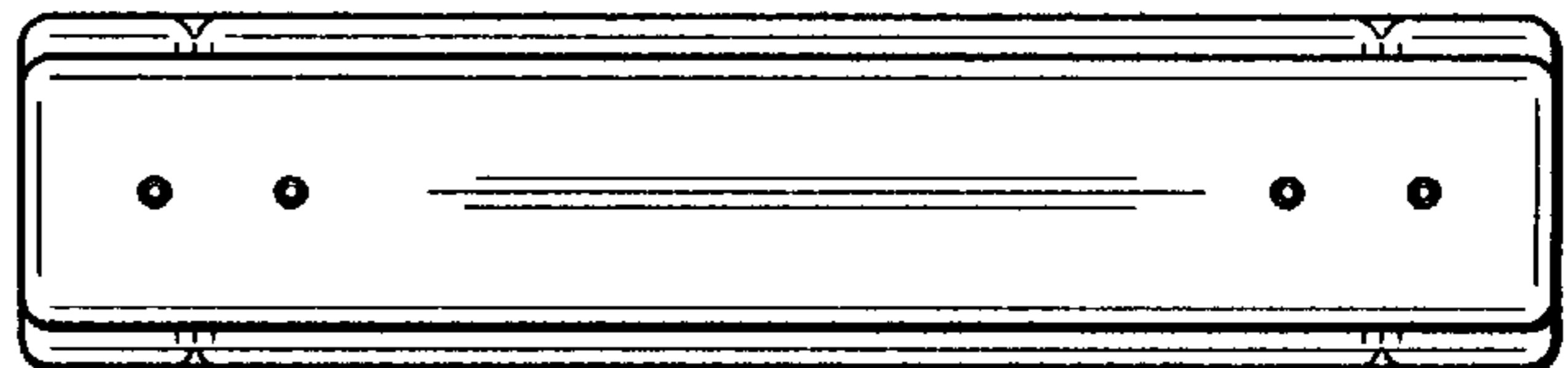


FIG. 5