



US00D415635S

# United States Patent [19] Bengtsson

[11] **Patent Number: Des. 415,635**

[45] **Date of Patent: \*\* Oct. 26, 1999**

[54] **WORKING BENCH**

[76] Inventor: **Kenneth Bengtsson**, Sodra Apelvik, Pl  
202, S-432 91 Varberg, Sweden

[\*\*] Term: **14 Years**

[21] Appl. No.: **29/094,248**

[22] Filed: **Sep. 29, 1998**

[51] **LOC (6) Cl.** ..... **06-03**

[52] **U.S. Cl.** ..... **D6/486; D6/429**

[58] **Field of Search** ..... D6/480-489, 429,  
D6/495-497, 499, 419, 420; 108/153.1,  
150, 157.1, 161, 144.11, 145, 146, 147.18,  
147.19

[56] **References Cited**

**U.S. PATENT DOCUMENTS**

D. 296,851	7/1988	Kelley	.....	D6/420
D. 312,359	11/1990	Bradley	.....	D6/420
D. 336,708	6/1993	Boughey	.....	D34/21
D. 357,826	5/1995	Fiddament	.....	D6/429

D. 380,630 7/1997 Ahrensburg ..... D6/486

*Primary Examiner*—Janice E. Seeger  
*Attorney, Agent, or Firm*—Dvorak & Orum

[57] **CLAIM**

The ornamental design for a working bench, as shown and described.

**DESCRIPTION**

FIG. 1 is a perspective view of a working bench showing my new design;  
FIG. 2 is a top elevational view thereof;  
FIG. 3 is a front elevational view thereof;  
FIG. 4 is a left side elevational view thereof;  
FIG. 5 is a right side elevational view thereof;  
FIG. 6 is a rear elevational view thereof;  
FIG. 7 is a bottom elevational view;  
FIG. 8 is a perspective view of a modified working bench showing my new design; and,  
FIG. 9 is a rear perspective view of a modified working bench showing my new design.

**1 Claim, 5 Drawing Sheets**

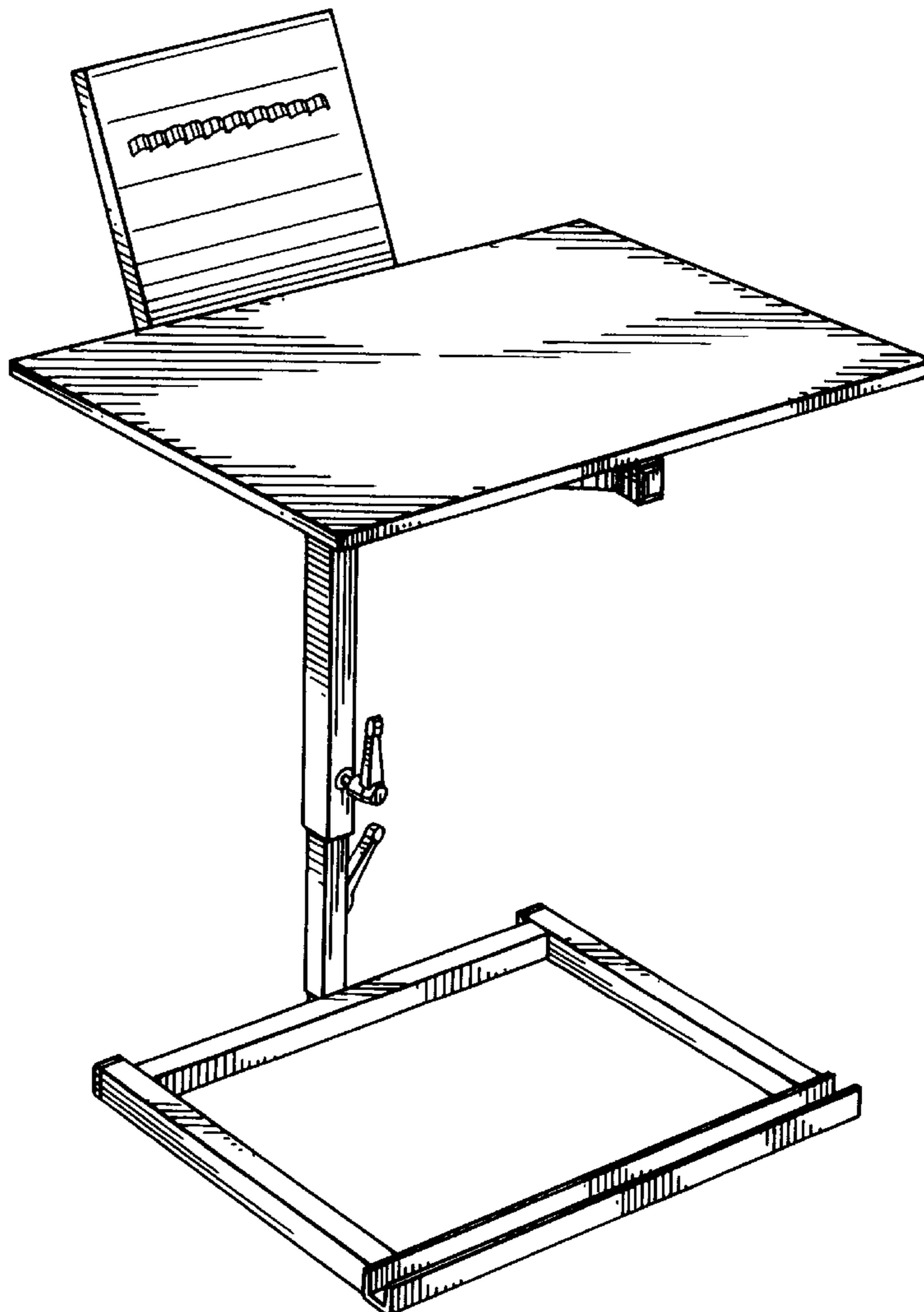


FIG. 1

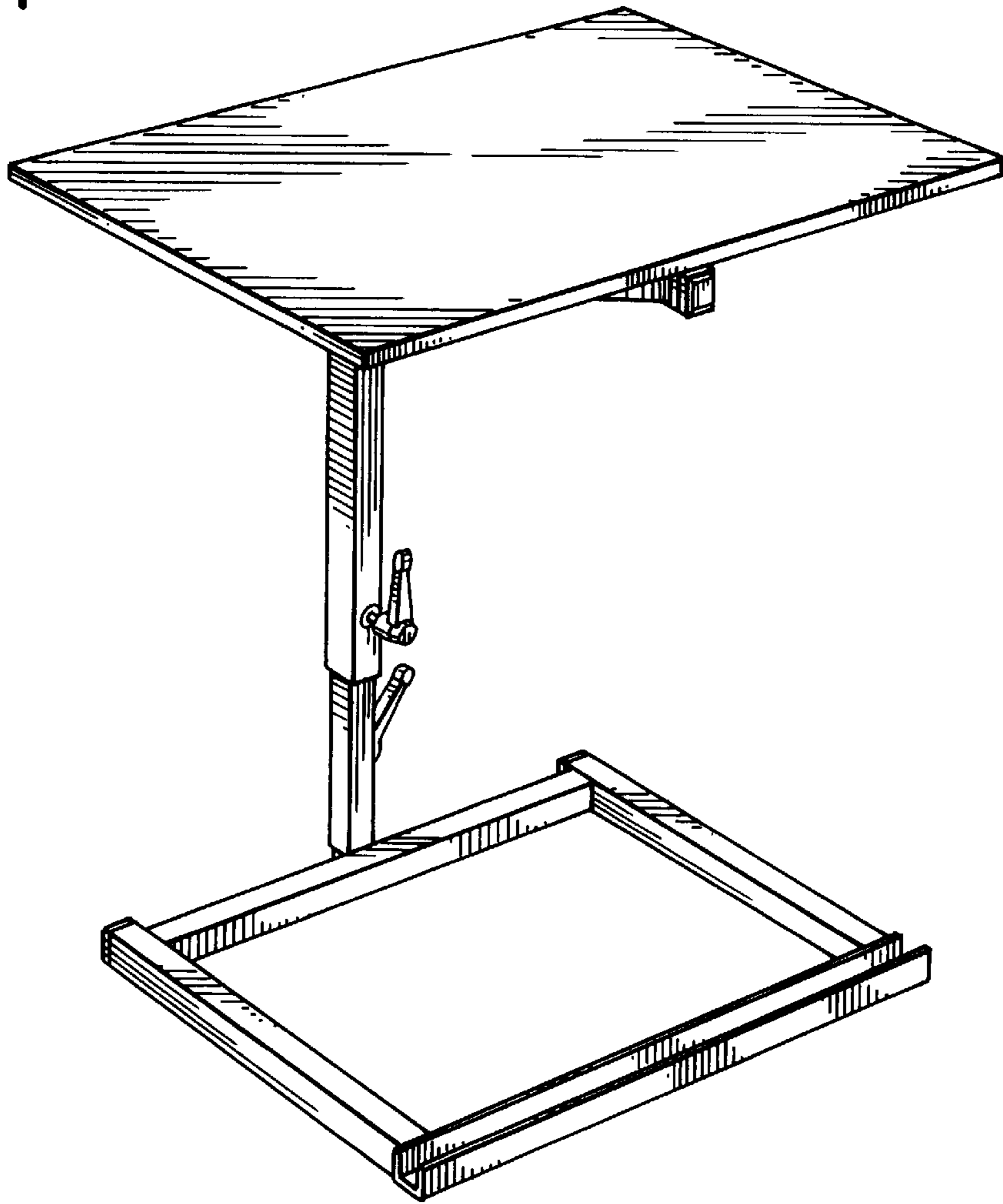


FIG. 2

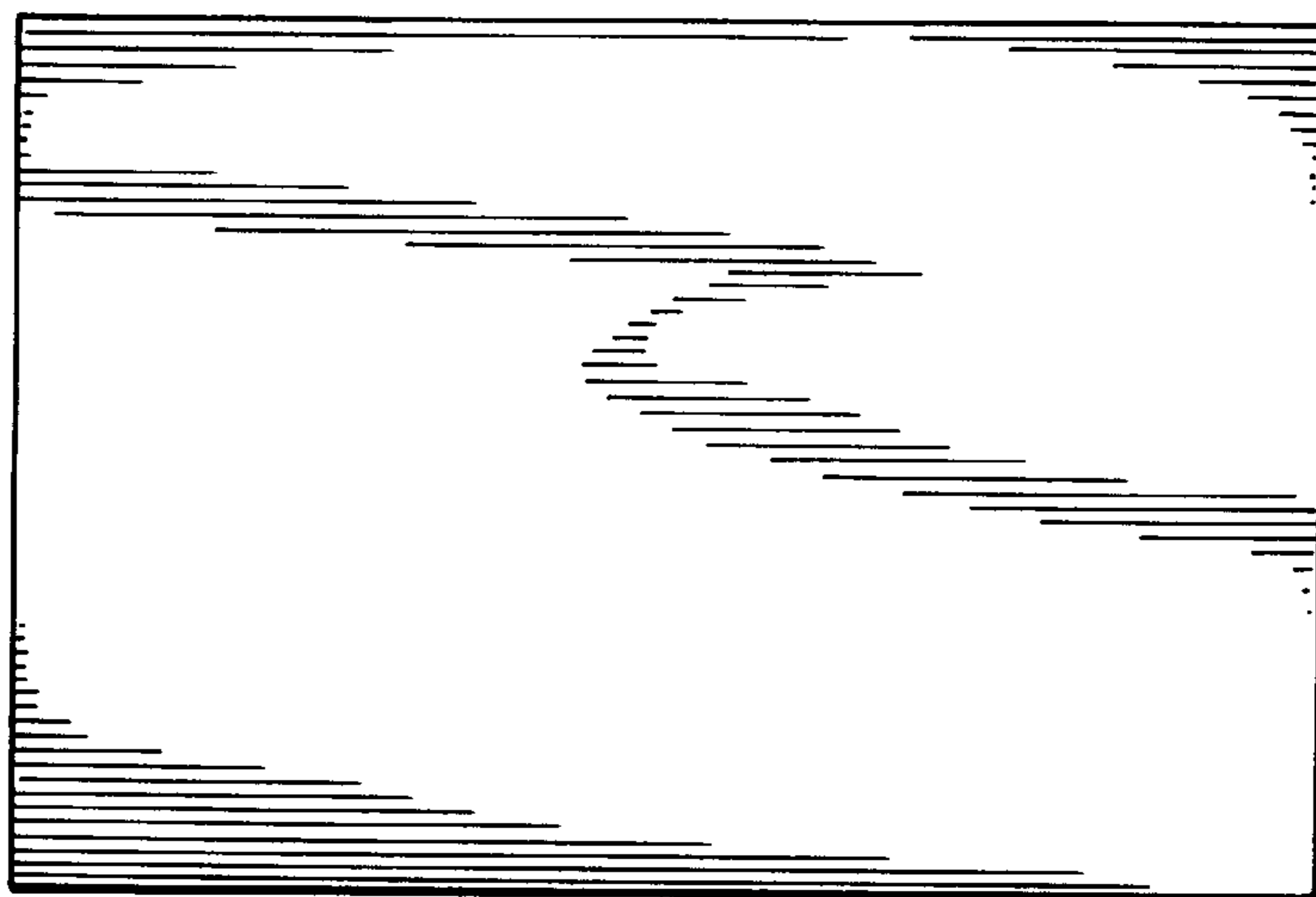


FIG. 3

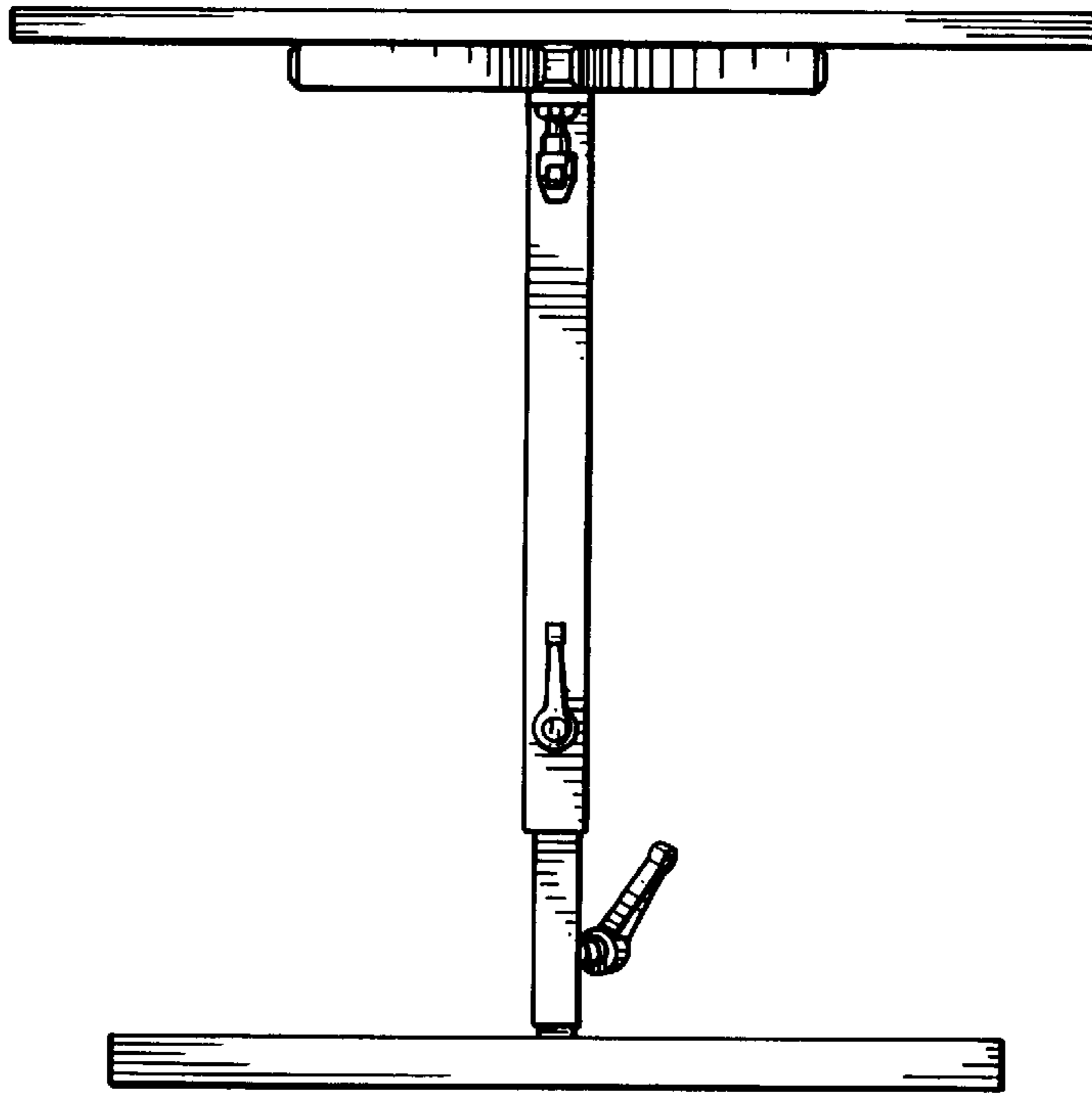


FIG. 4

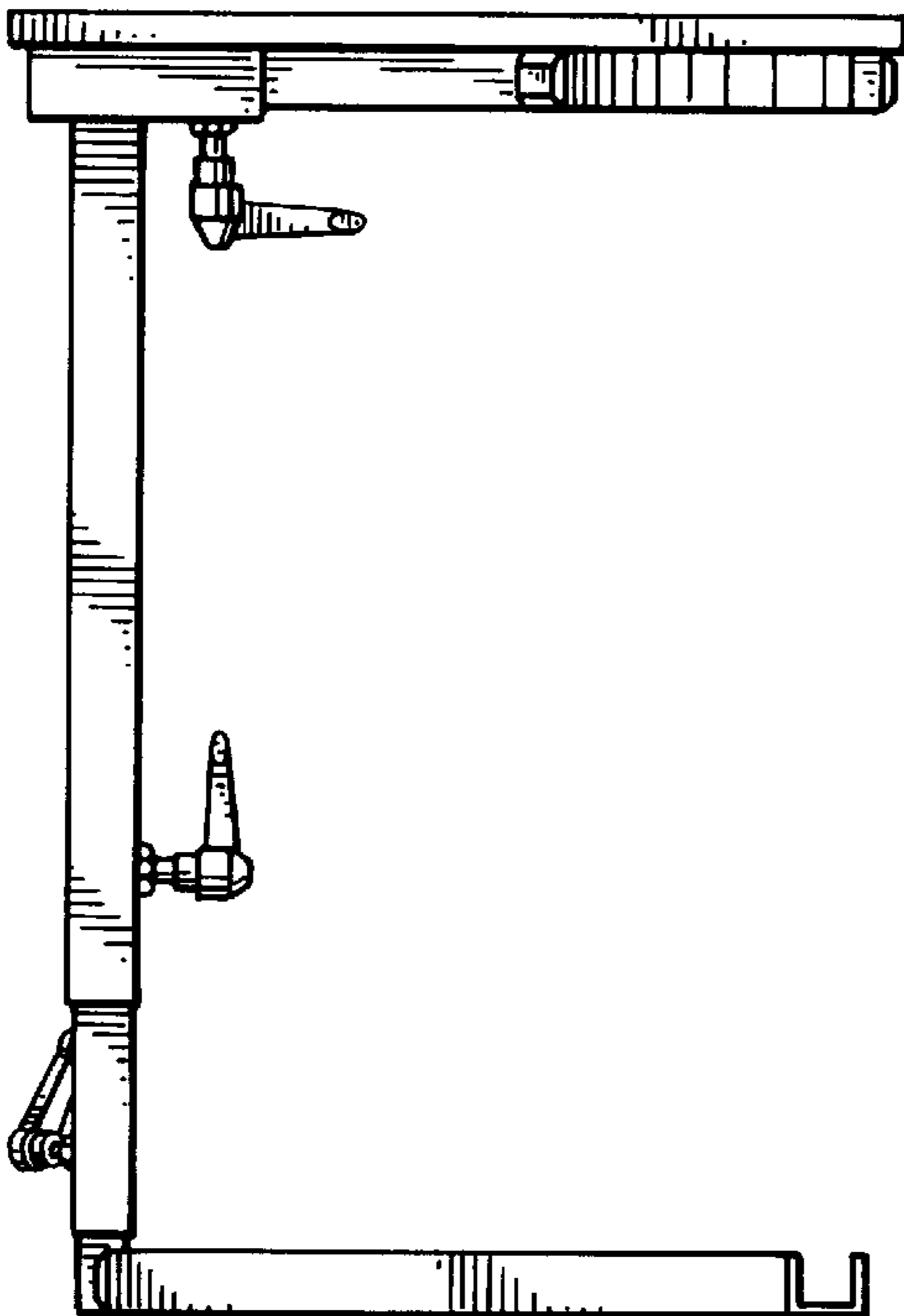


FIG. 5

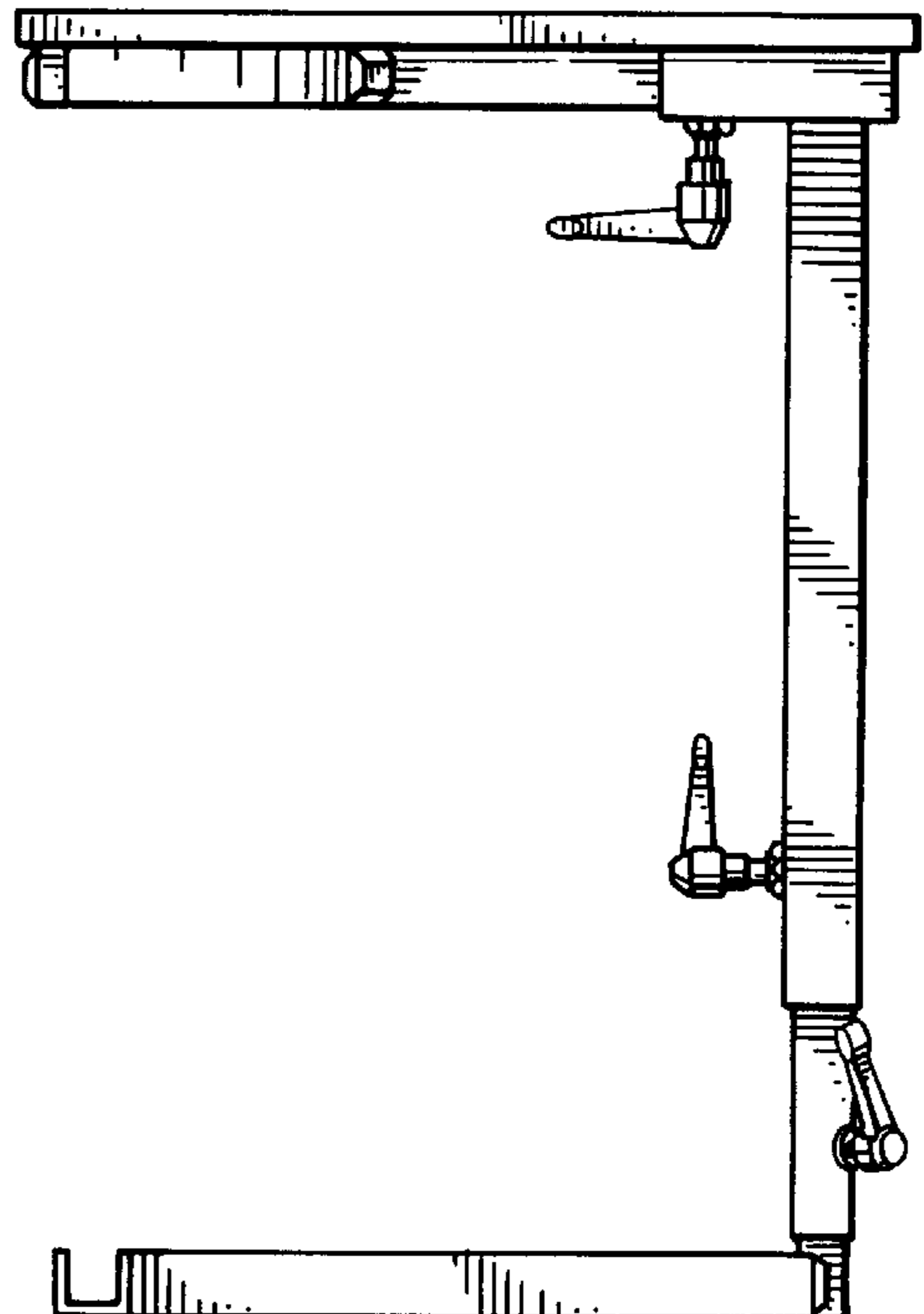


FIG. 6

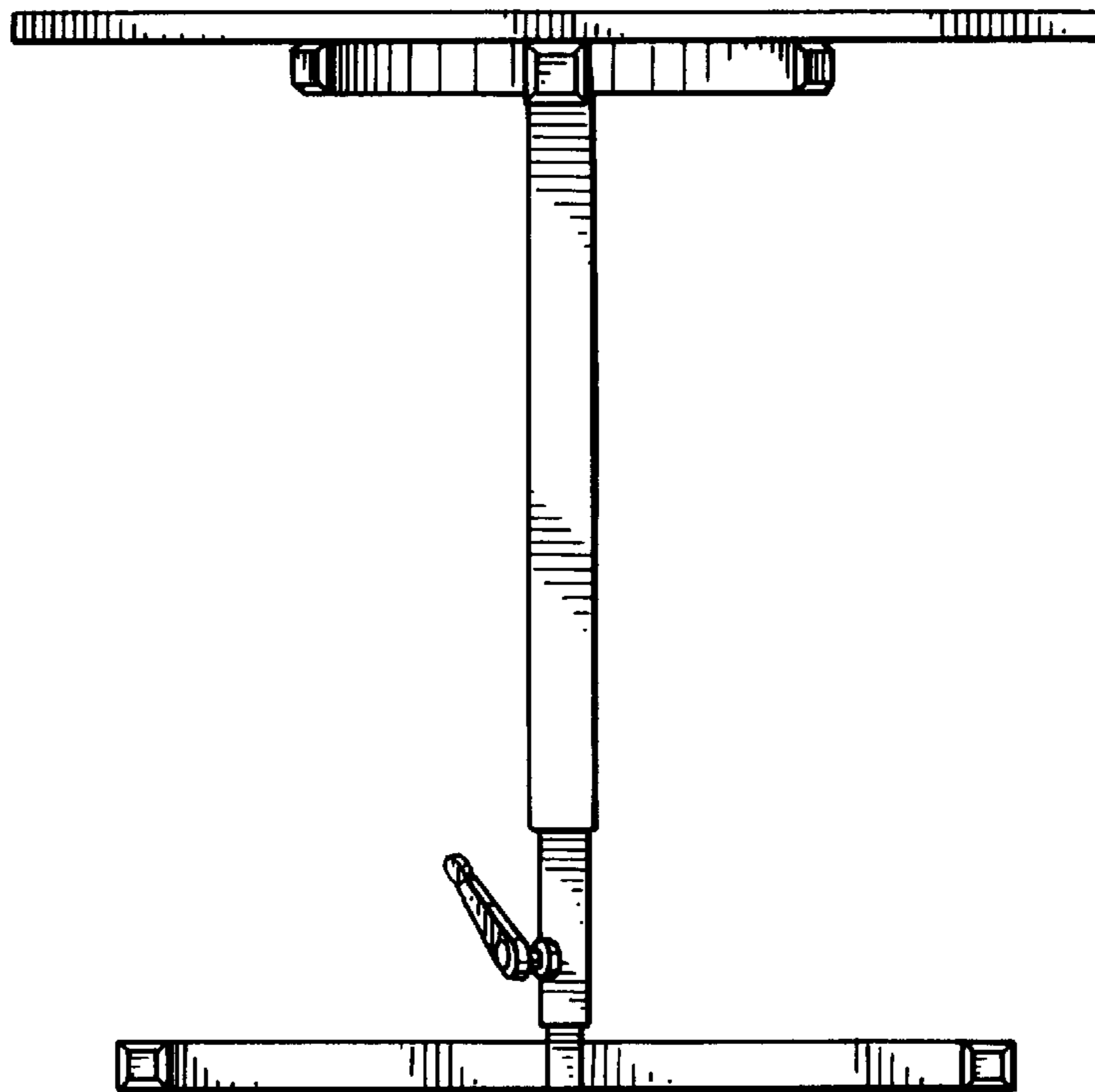


FIG. 7

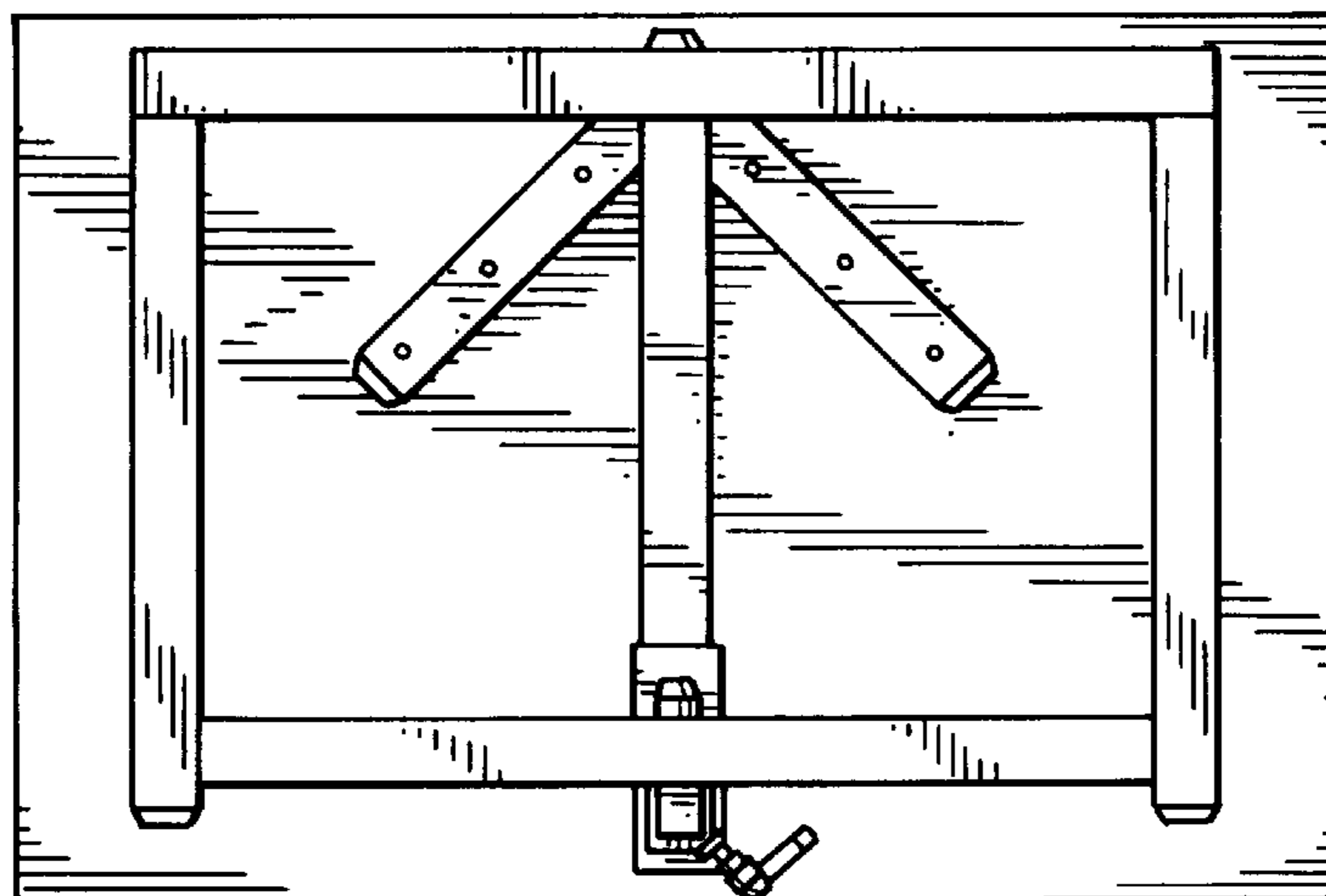
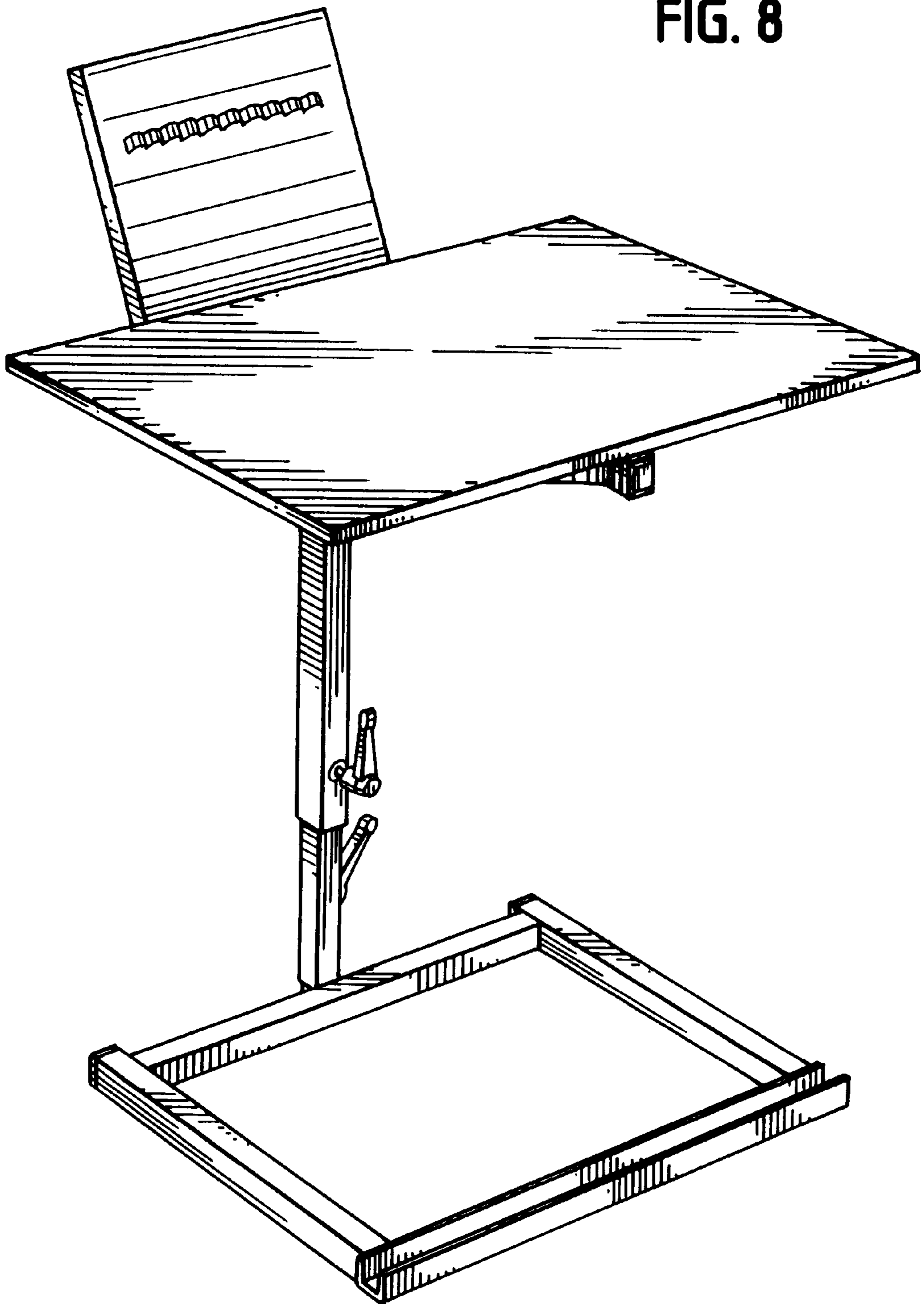


FIG. 8



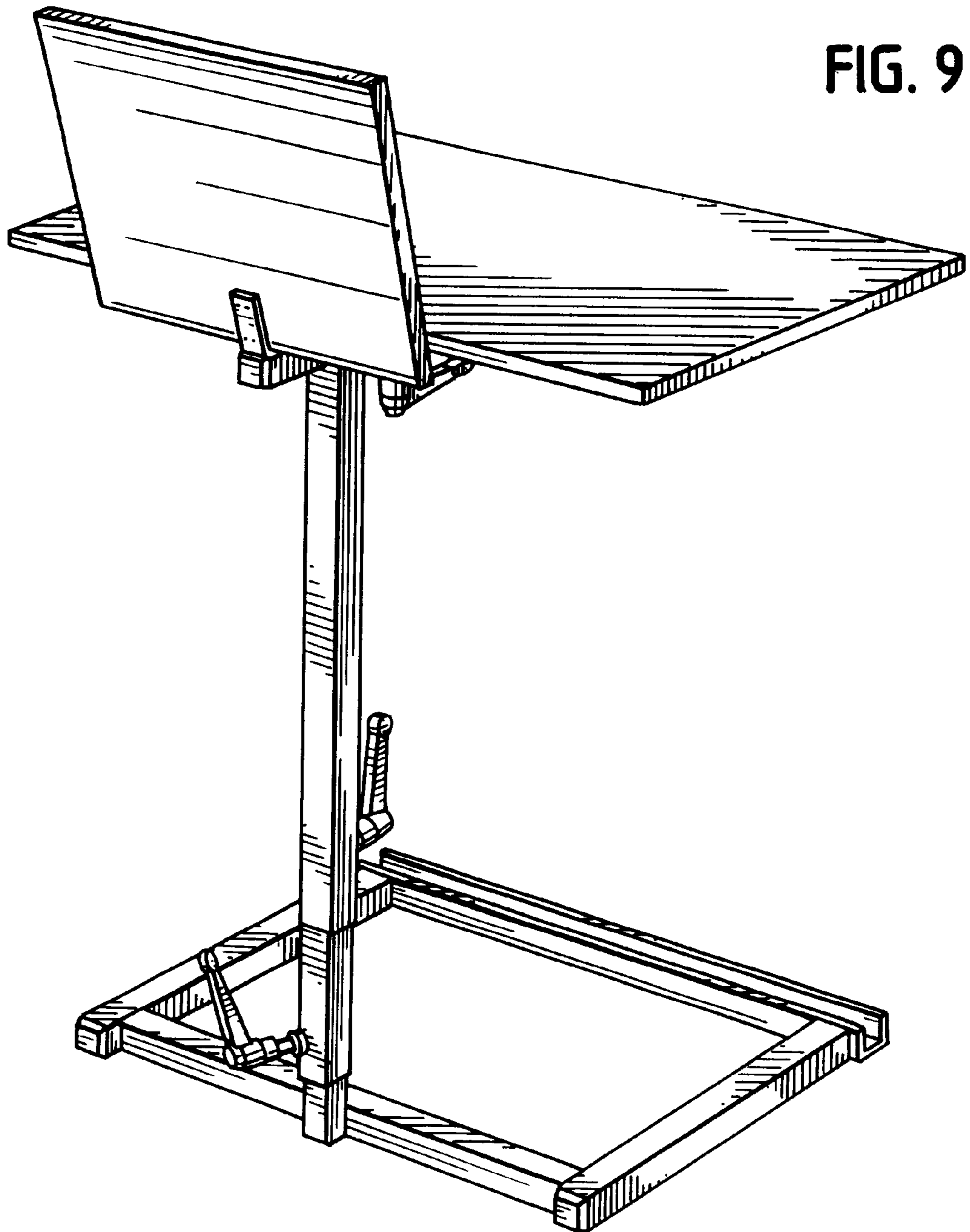


FIG. 9