



US00D415634S

United States Patent [19]
Lin et al.

[11] **Patent Number: Des. 415,634**

[45] **Date of Patent: ** Oct. 26, 1999**

[54] **TABLE**

[75] Inventors: **Maya Ying Lin; Carl G. Magnusson,**
both of New York, N.Y.; **William T. Shea,** Barto, Pa.

[73] Assignee: **Knoll, Inc.,** East Greenville, Pa.

[**] Term: **14 Years**

[21] Appl. No.: **29/081,952**

[22] Filed: **Jan. 12, 1998**

[51] **LOC (6) Cl.** **06-03**

[52] **U.S. Cl.** **D6/486; D6/480**

[58] **Field of Search** **D6/480-489, 495;**
108/150, 153.1, 156, 157.1, 161; 248/188.1

[56] **References Cited**

U.S. PATENT DOCUMENTS

D. 270,114	8/1983	Crespi	D6/486
D. 390,605	2/1998	Buhner	D19/65
2,551,766	5/1951	Service	297/461
5,353,716	10/1994	Wilbert	108/150

OTHER PUBLICATIONS

Architectural Supplements Jun. 1982, p. 25, table.
Intrex, Jul. 1977, p. 45, #91402, at right and 2nd from bottom.

Primary Examiner—Janice E. Seeger
Attorney, Agent, or Firm—Buchanan Ingersoll, P.C.

[57] **CLAIM**

The ornamental design for a table, as shown and described.

DESCRIPTION

FIG. 1 is a perspective view of a table showing our new design;

FIG. 2 is a front elevational view thereof, the rear view being a mirror image thereof;

FIG. 3 is a top plan view thereof;

FIG. 4 is a bottom plan view thereof;

FIG. 5 is a right side elevational view thereof, the left side being a mirror image thereof;

FIG. 6 is a perspective view of an alternate embodiment of our new design;

FIG. 7 is a front elevational view thereof, the rear view being a mirror image thereof;

FIG. 8 is a top plan view thereof;

FIG. 9 is a bottom plan view thereof; and,

FIG. 10 is a right side elevational view thereof, the left side being a mirror image thereof.

1 Claim, 6 Drawing Sheets

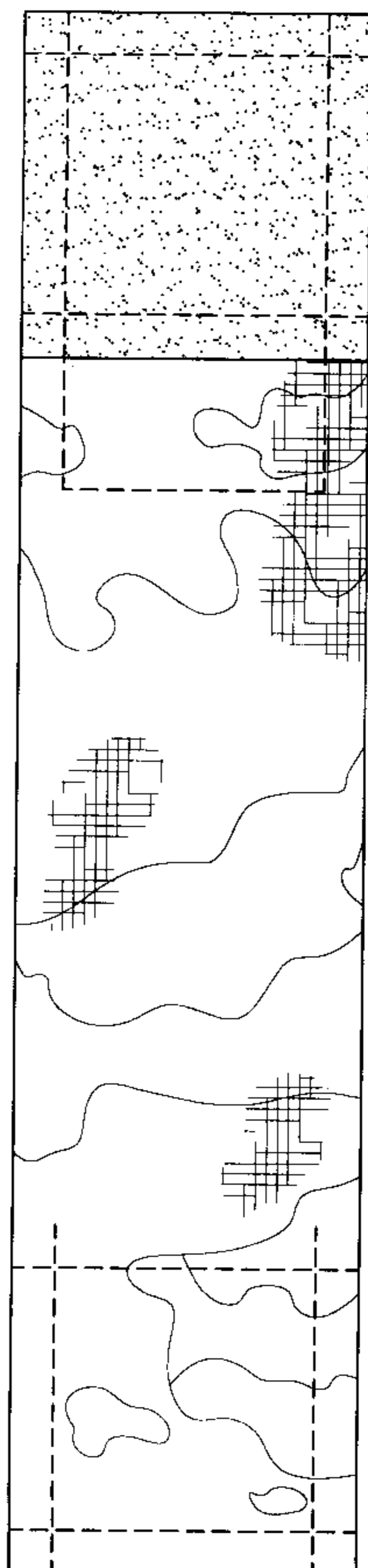


FIG. 1

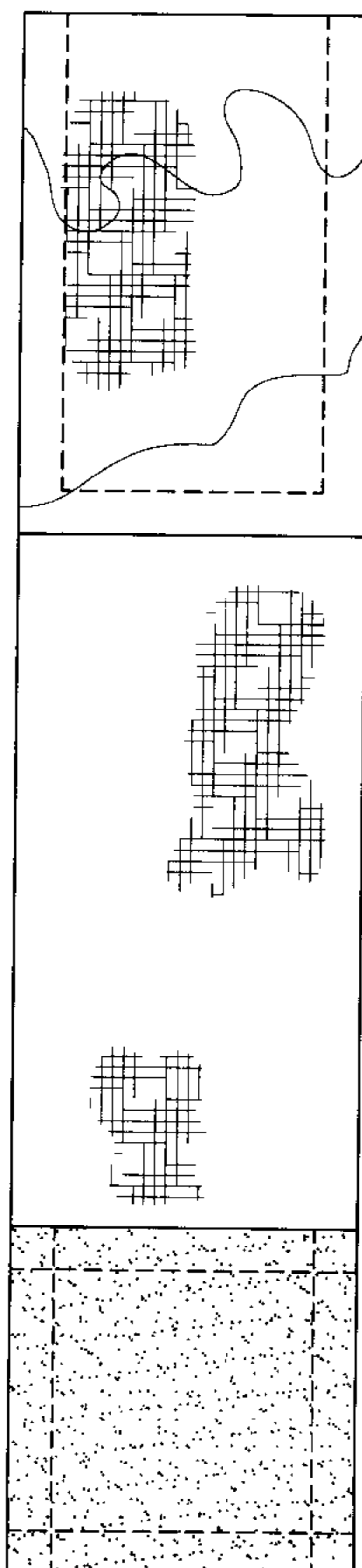


FIG. 2

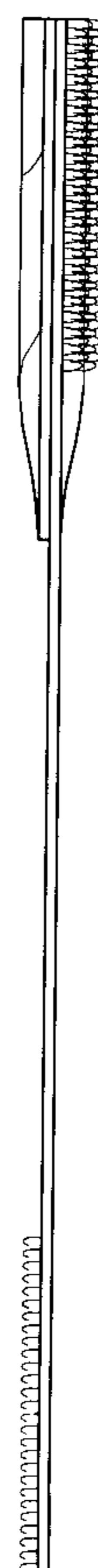


FIG. 3

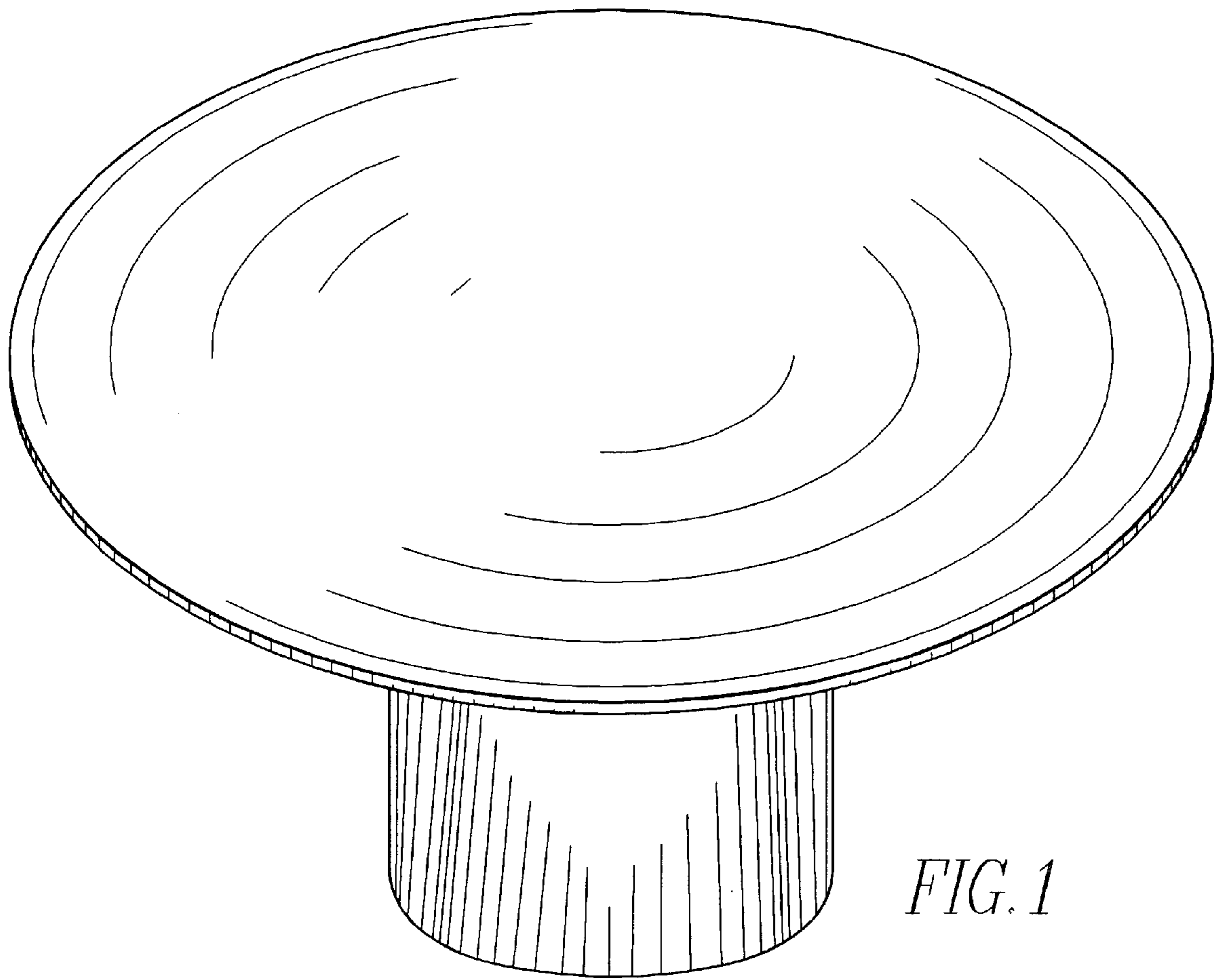


FIG. 1

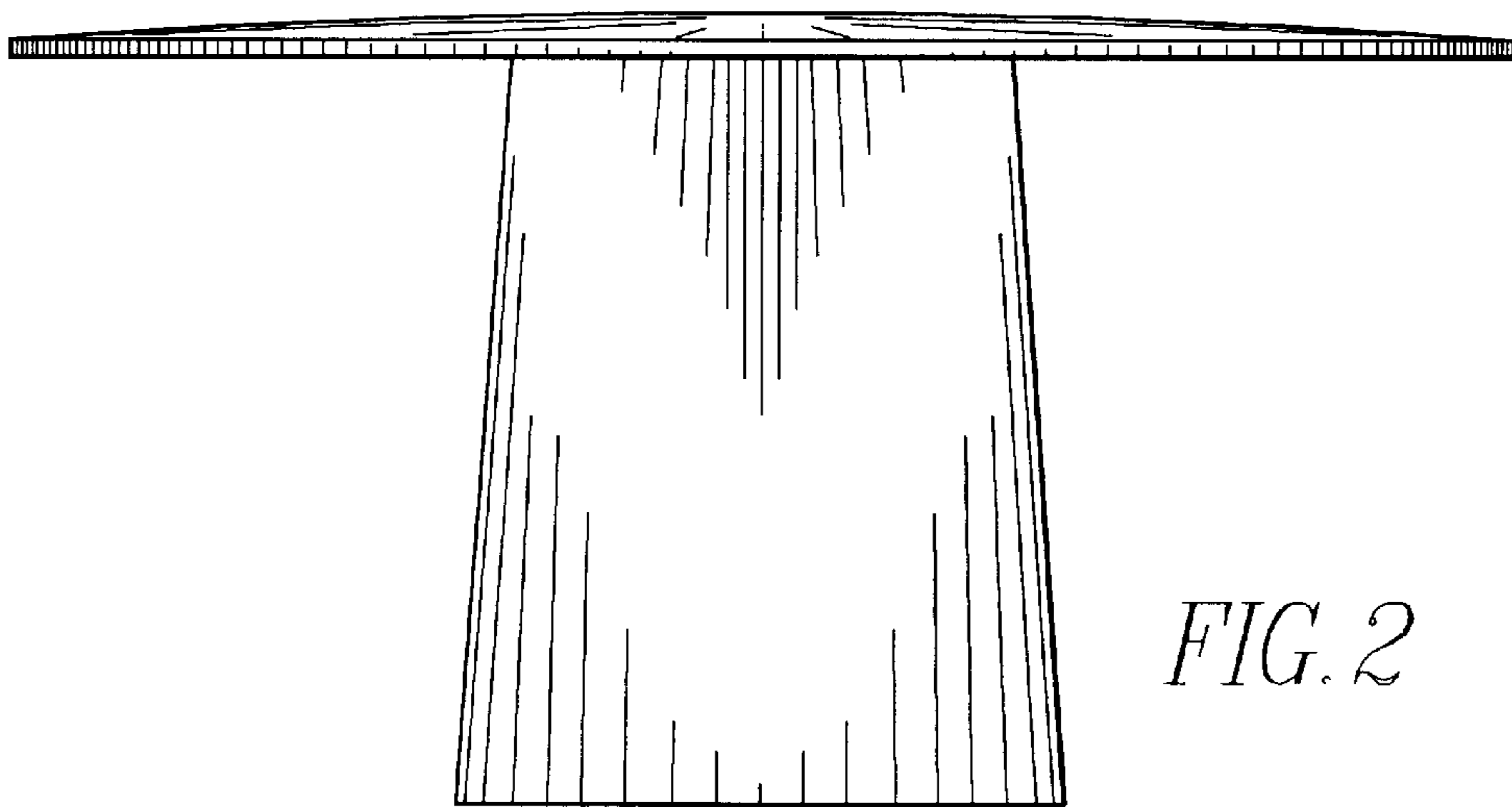


FIG. 2

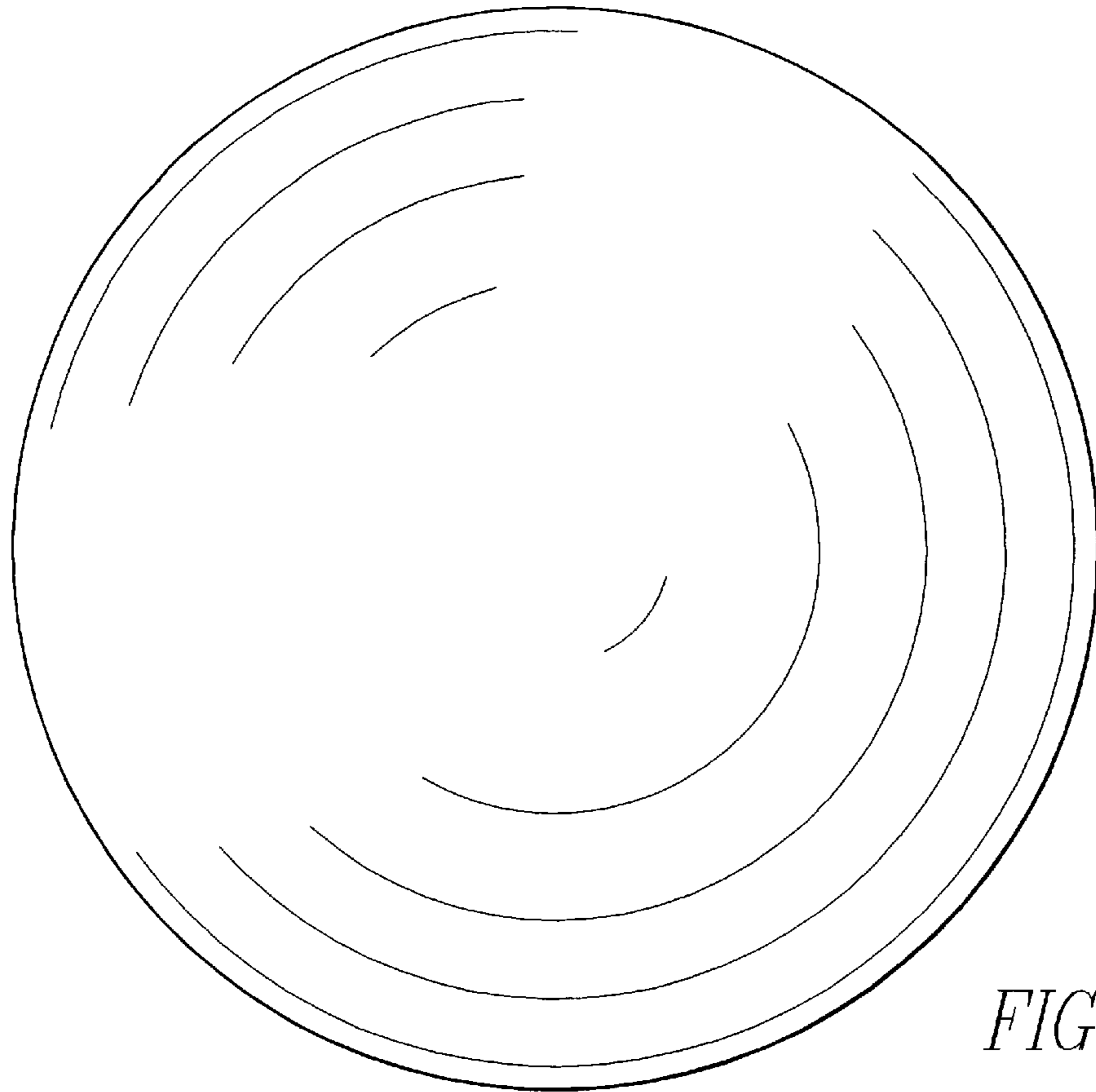


FIG. 3

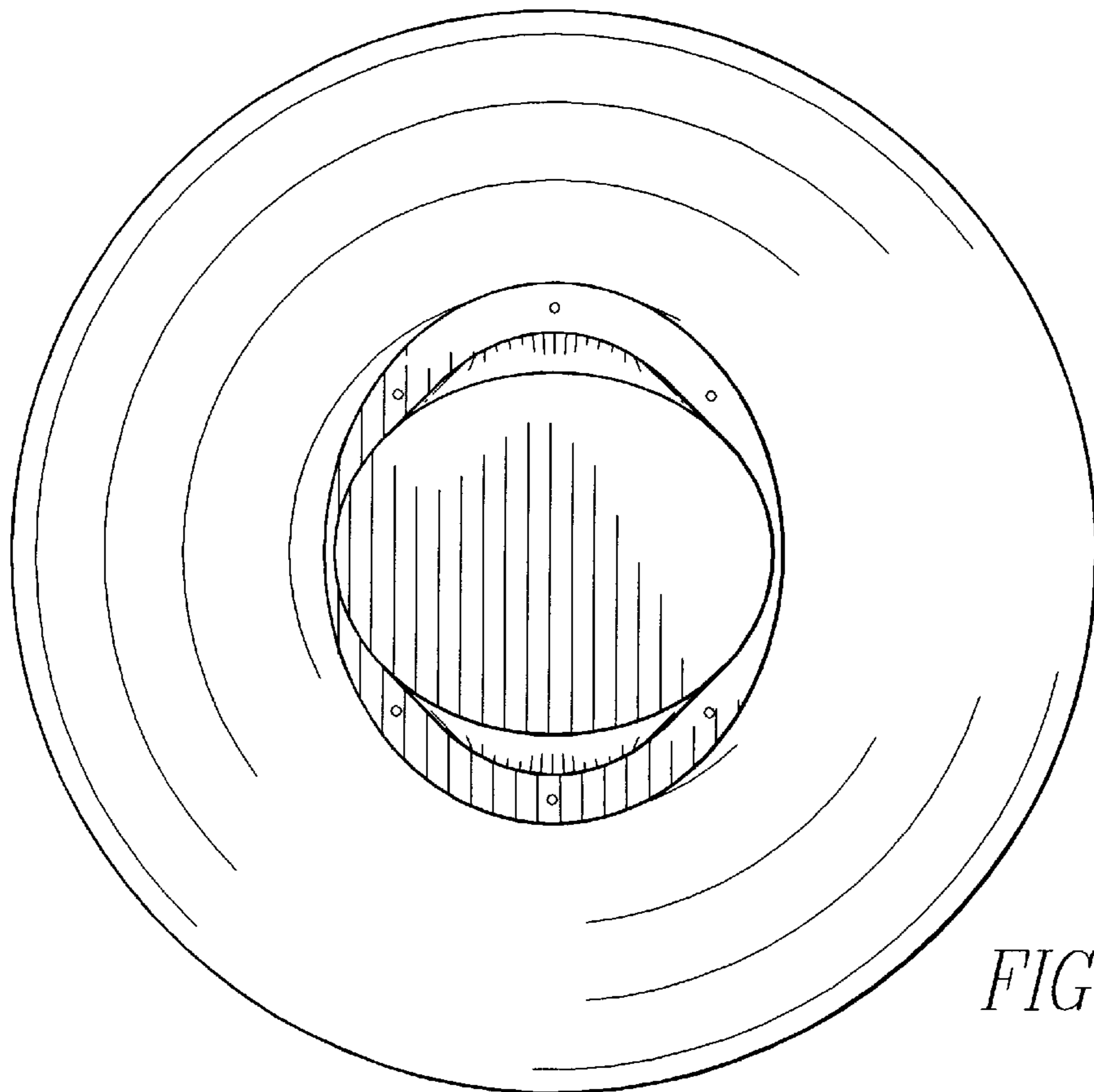


FIG. 4

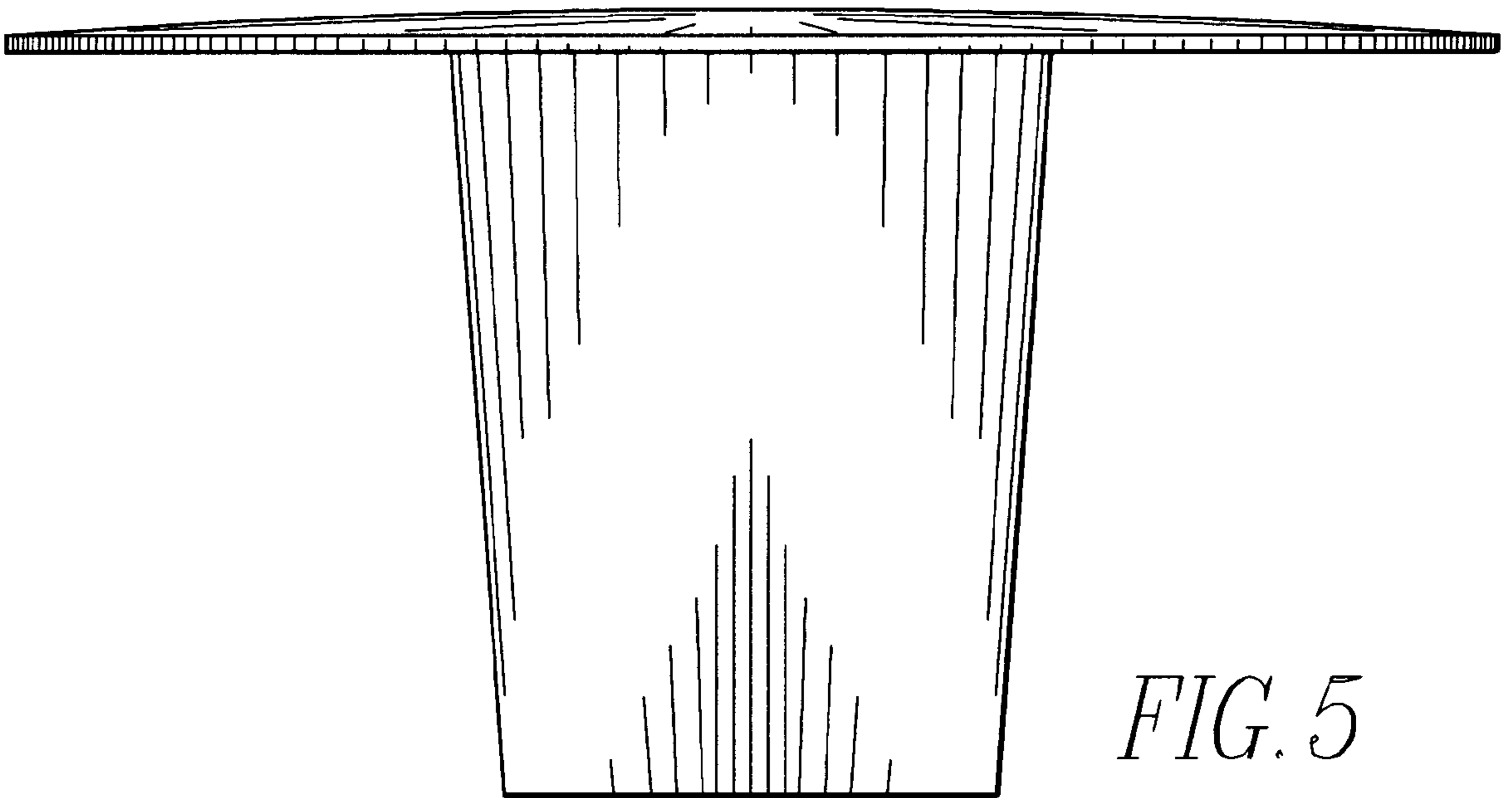


FIG. 5

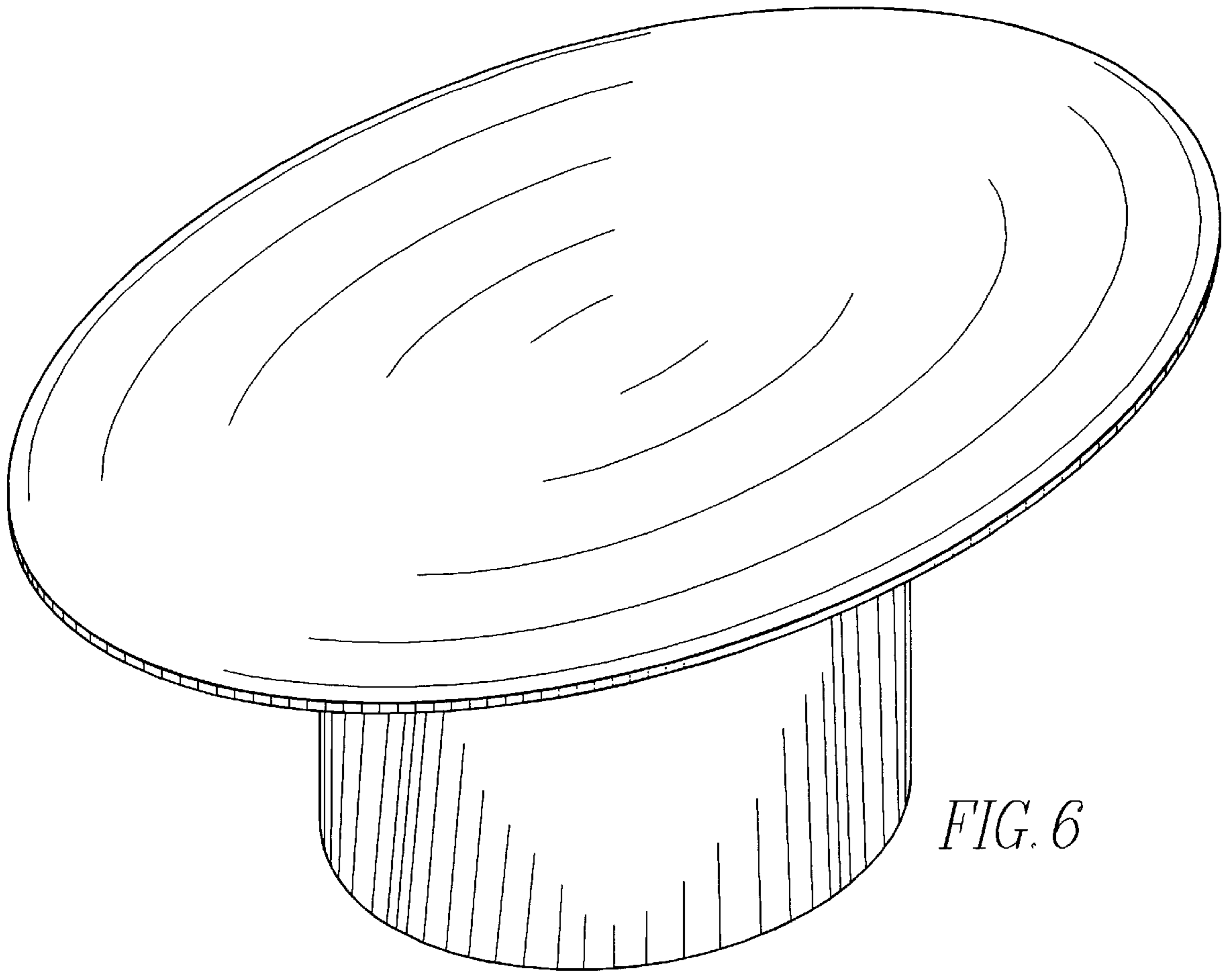


FIG. 6

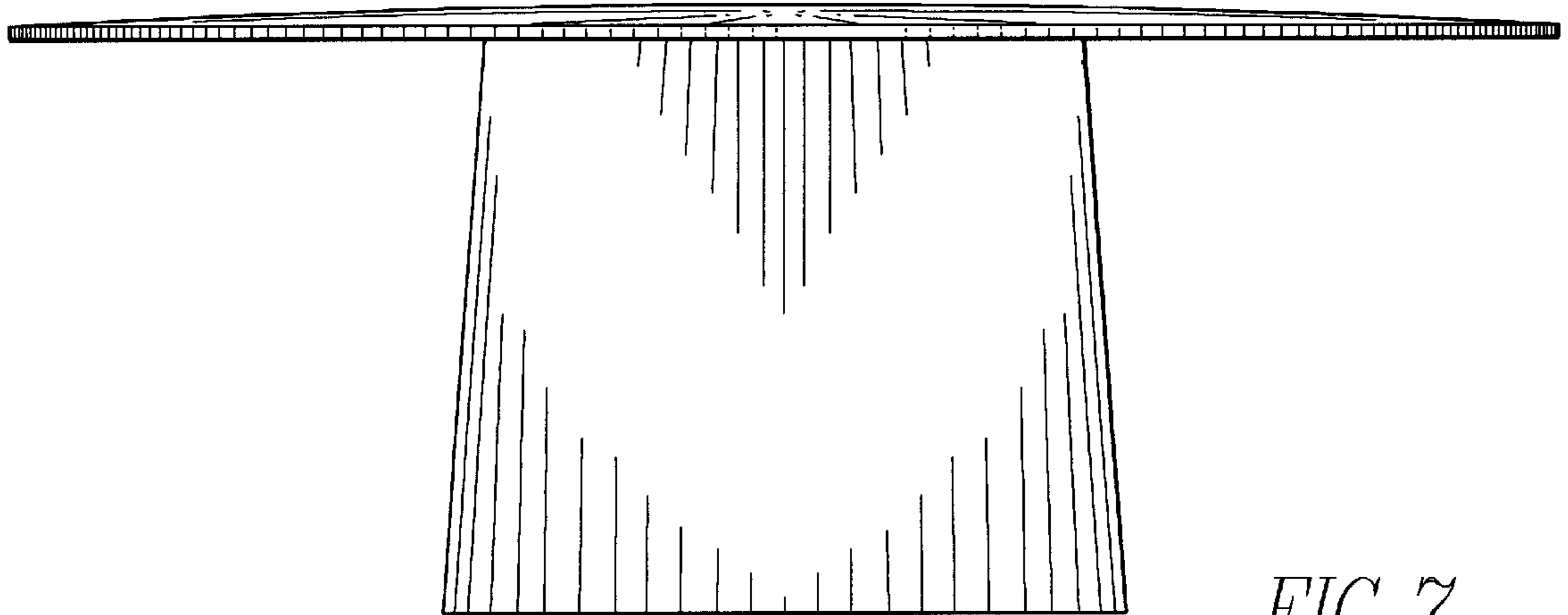


FIG. 7

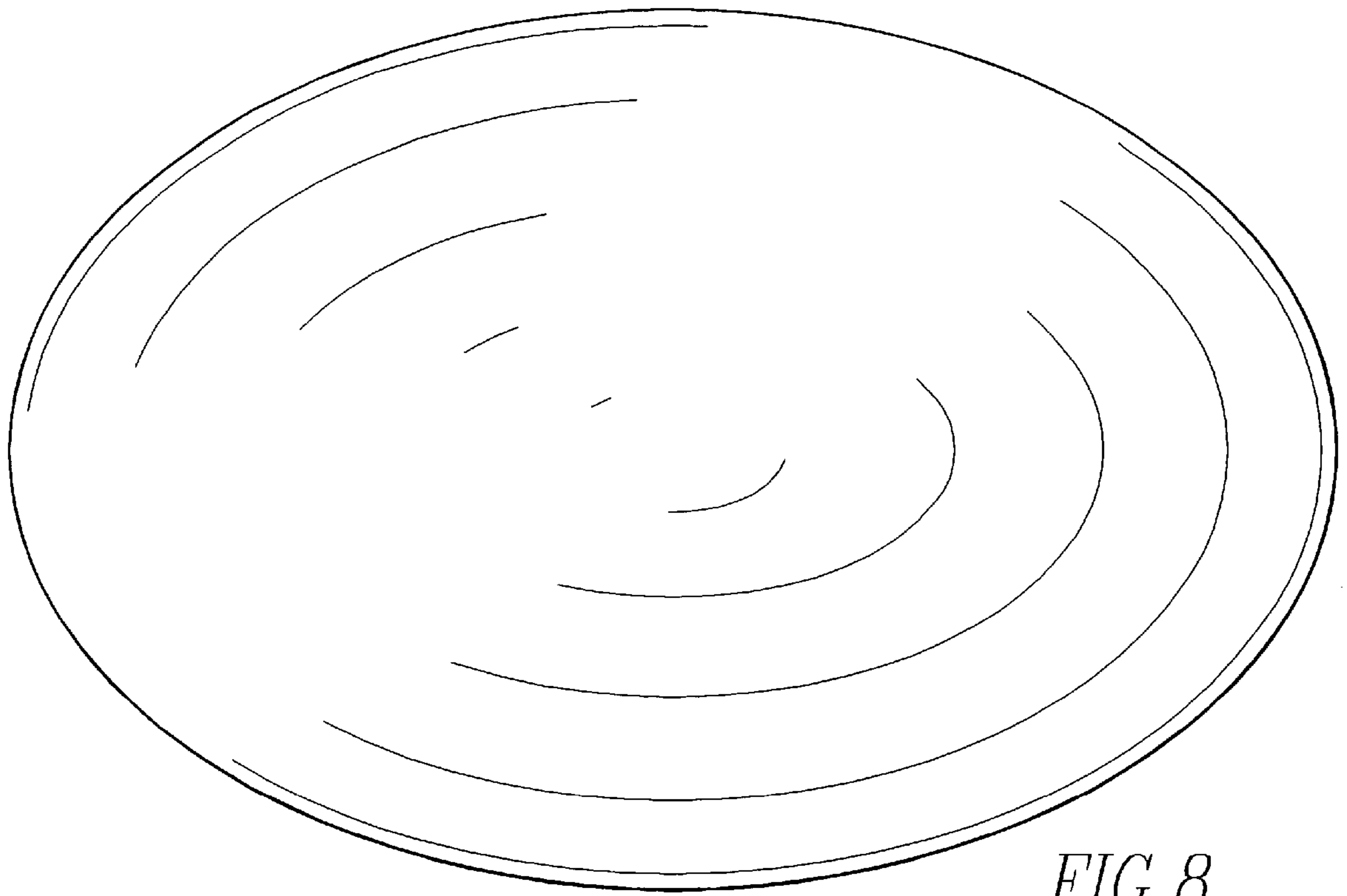


FIG. 8

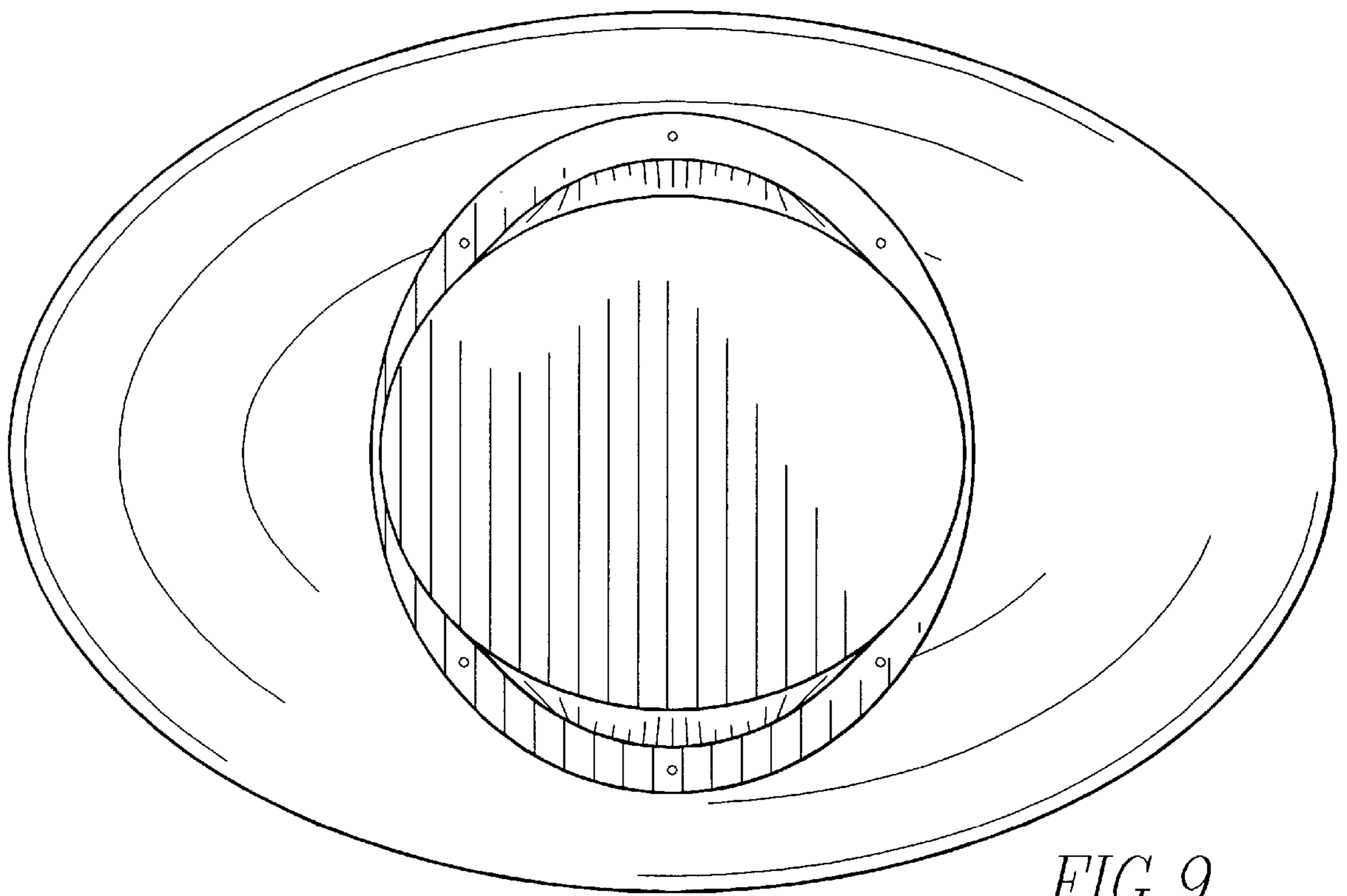


FIG. 9

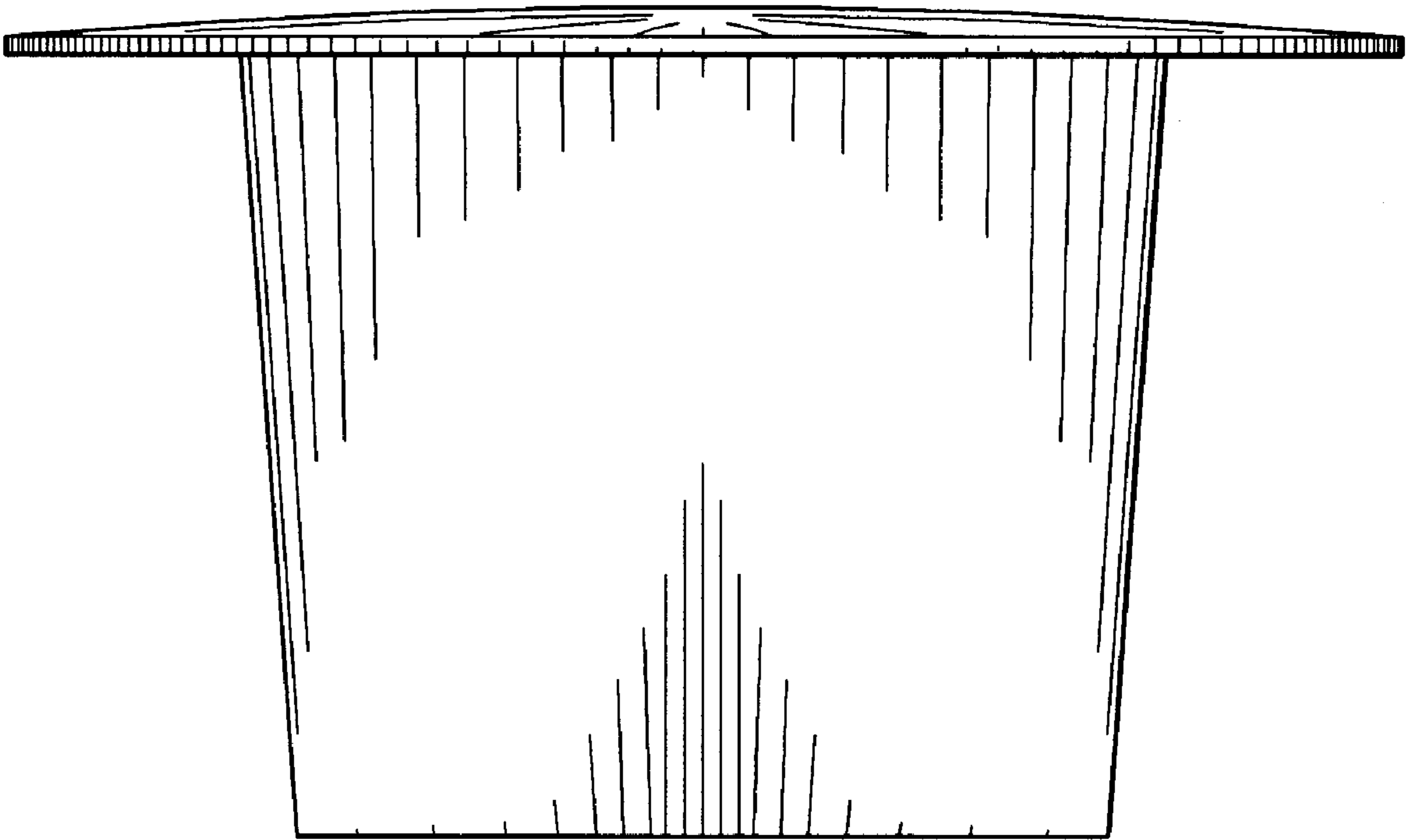


FIG. 10

UNITED STATES PATENT AND TRADEMARK OFFICE
CERTIFICATE OF CORRECTION

PATENT NO. : Des. 415,634
DATED : Oct 26, 1999
INVENTOR(S) : Maya Ying Lin, et al

Page 1 of 2

It is certified that error appears in the above-identified patent and that said Letters Patent is hereby corrected as shown below:
The Title page should be deleted to be replaced with the attached title page.

Signed and Sealed this
Twenty-third Day of May, 2000

Attest:



Q. TODD DICKINSON

Attesting Officer

Director of Patents and Trademarks



US00D415634S

United States Patent [19]
Lin et al.

[11] **Patent Number: Des. 415,634**
[45] **Date of Patent: ** Oct. 26, 1999**

[54] **TABLE**

[75] **Inventors:** Maya Ying Lin; Carl G. Magnusson,
both of New York, N.Y.; William T.
Shea, Barto, Pa.

[73] **Assignee:** Knoll, Inc., East Greenville, Pa.

[**] **Term:** 14 Years

[21] **Appl. No.:** 29/081,952

[22] **Filed:** Jan. 12, 1998

[51] **LOC (6) Cl.** 06-03

[52] **U.S. Cl.** D6/486; D6/480

[58] **Field of Search** D6/480-489, 495;
108/150, 153.1, 156, 157.1, 161; 248/188.1

[56] **References Cited**

U.S. PATENT DOCUMENTS

D. 270,114	8/1983	Crespi	D6/486
D. 390,605	2/1998	Buhner	D19/65
2,551,766	5/1951	Service	297/461
5,353,716	10/1994	Wilbert	108/150

OTHER PUBLICATIONS

Architectural Supplements Jun. 1982, p. 25, table.
Intrex, Jul. 1977, p. 45, #91402, at right and 2nd from
bottom.

Primary Examiner—Janice E. Seeger
Attorney, Agent, or Firm—Buchanan Ingersoll, P.C.

[57] **CLAIM**

The ornamental design for a table, as shown and described.

DESCRIPTION

FIG. 1 is a perspective view of a table showing our new design;

FIG. 2 is a front elevational view thereof, the rear view being a mirror image thereof;

FIG. 3 is a top plan view thereof;

FIG. 4 is a bottom plan view thereof;

FIG. 5 is a right side elevational view thereof, the left side being a mirror image thereof;

FIG. 6 is a perspective view of an alternate embodiment of our new design;

FIG. 7 is a front elevational view thereof, the rear view being a mirror image thereof;

FIG. 8 is a top plan view thereof;

FIG. 9 is a bottom plan view thereof; and,

FIG. 10 is a right side elevational view thereof, the left side being a mirror image thereof.

1 Claim, 6 Drawing Sheets

