



US00D415633S

United States Patent [19] Gesing

[11] **Patent Number: Des. 415,633**

[45] **Date of Patent: ** Oct. 26, 1999**

[54] **TABLE**

[76] Inventor: **Sahara A. Gesing**, 2510 Valencia Ter.,
Charlotte, N.C. 28226

[**] Term: **14 Years**

[21] Appl. No.: **29/078,024**

[22] Filed: **Oct. 15, 1997**

[51] **LOC (6) Cl. 06-03**

[52] **U.S. Cl. D6/480; D6/477**

[58] **Field of Search** D6/480-489, 495-497,
D6/451, 477, 464, 429; 108/152, 153.1,
156, 157.1, 161; 248/188, 188.1, 188.8

[56] **References Cited**

U.S. PATENT DOCUMENTS

D. 281,125 10/1985 Brown D6/477
D. 371,700 7/1996 Rosen D6/483

OTHER PUBLICATIONS

Pennsylvania House, Jun. 1994, p. 134, cocktail table at
lower left, #17-1201.

Lazarus, Aug. 1992, front cover, table.

Thomasville, Replicas 11800, p. 24, Jan. 1984, table at top
left.

Primary Examiner—Janice E. Seeger
Attorney, Agent, or Firm—Kilpatrick Stockton LLP;
Charles W. Calkins; James J. Bindseil

[57] **CLAIM**

The ornamental design for a table, as shown and described.

DESCRIPTION

FIG. 1 is a perspective view of a table, showing my new
design;

FIG. 2 is a top plan view thereof;

FIG. 3 is a right side elevational view, the opposite side
being identical thereto;

FIG. 4 is a front elevational view, the rear being identical
thereto;

FIG. 5 is a bottom plan view thereof;

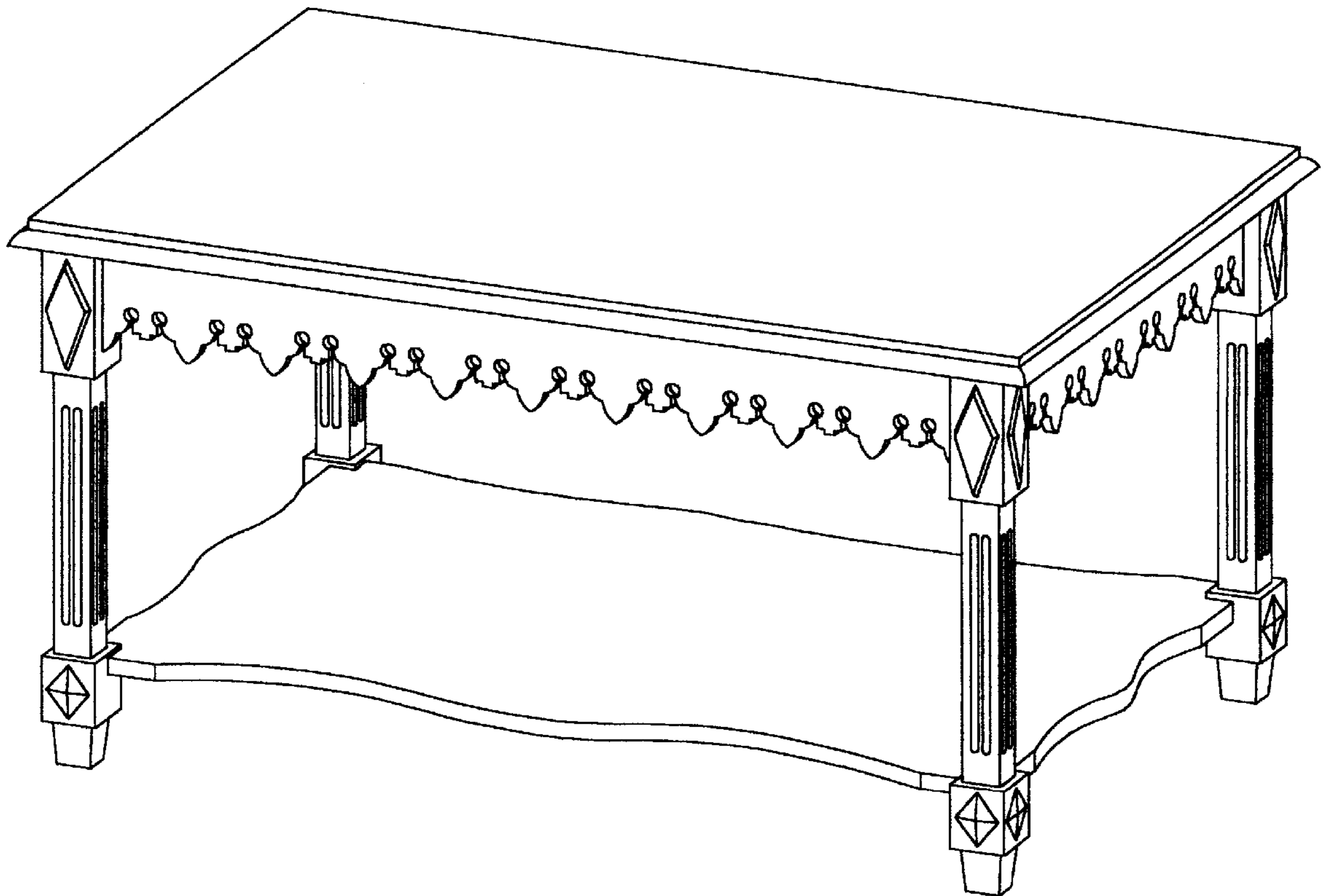
FIG. 6 is a perspective view of a table, showing an alternate
embodiment of my new design;

FIG. 7 is a top view thereof;

FIG. 8 is a typical side elevational view thereof; and,

FIG. 9 is a bottom plan view thereof.

1 Claim, 5 Drawing Sheets



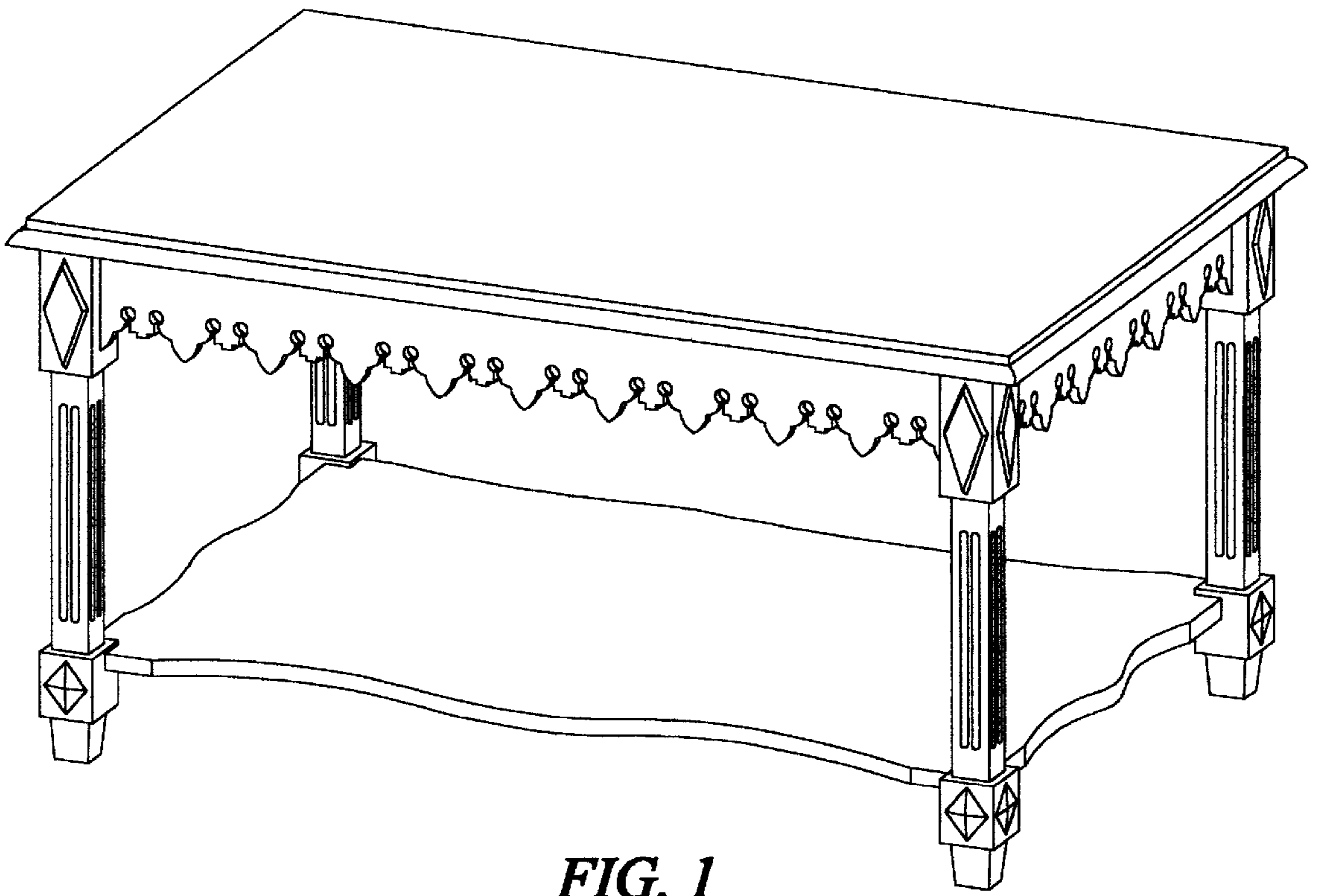


FIG. 1

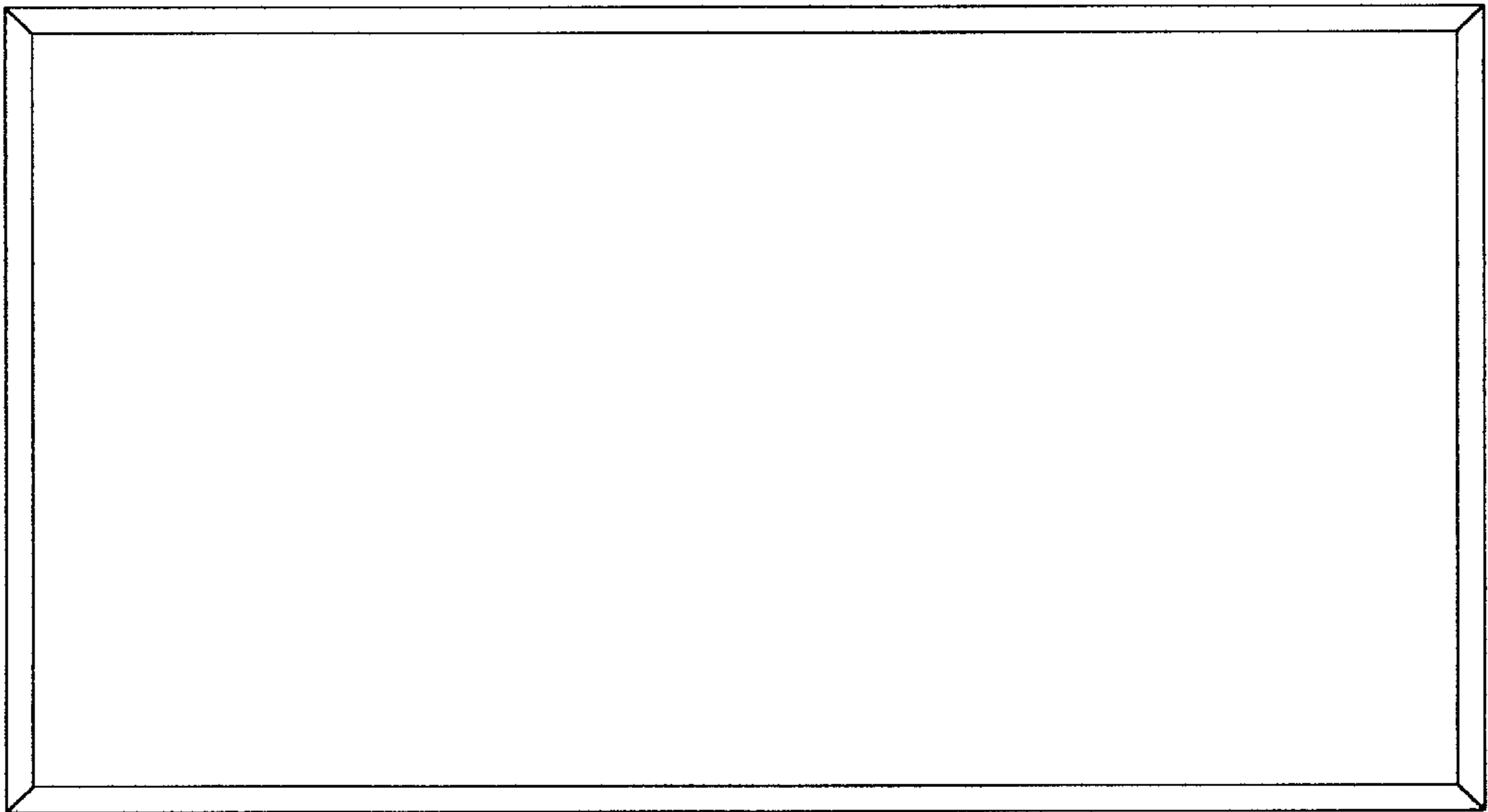


FIG. 2

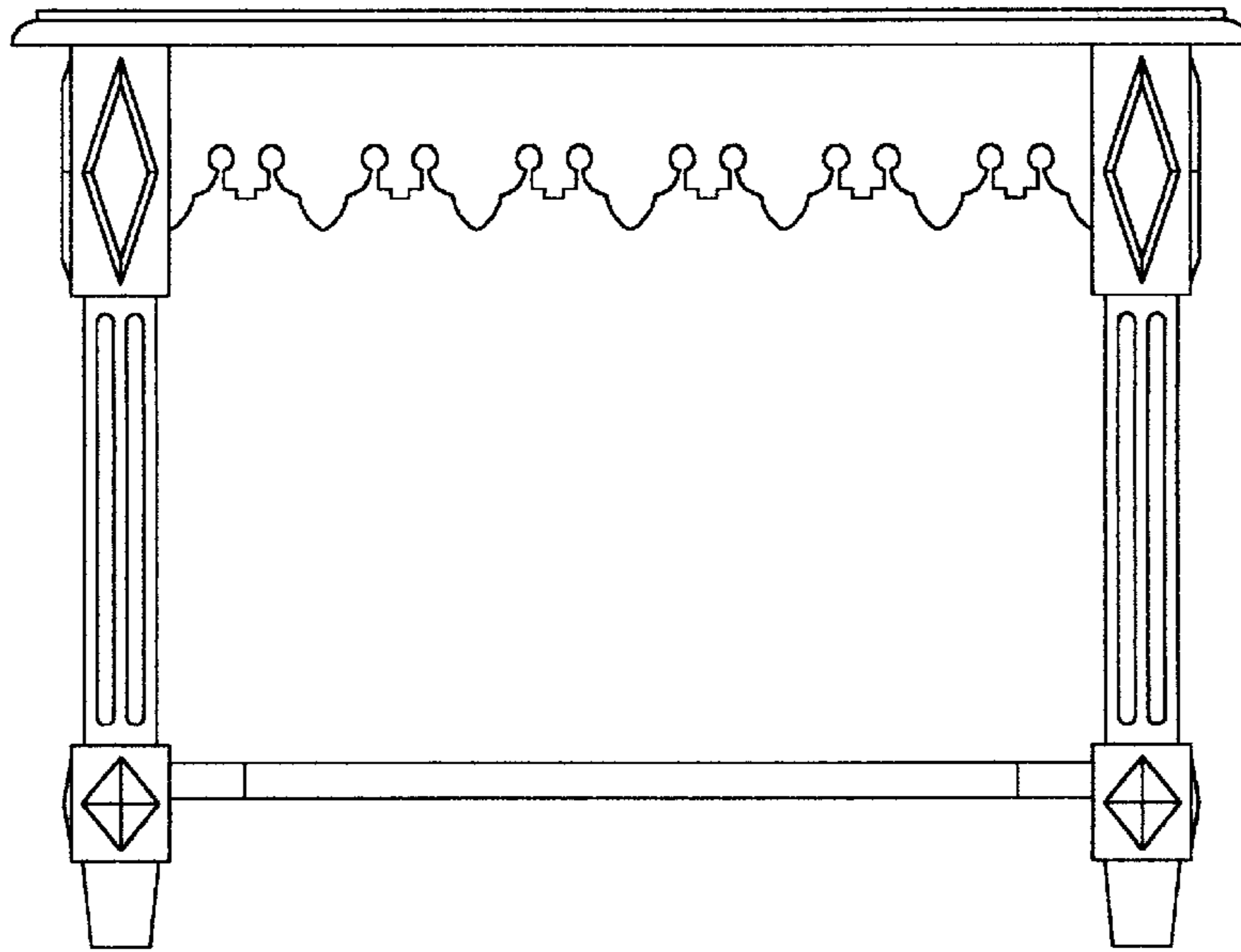


FIG. 3

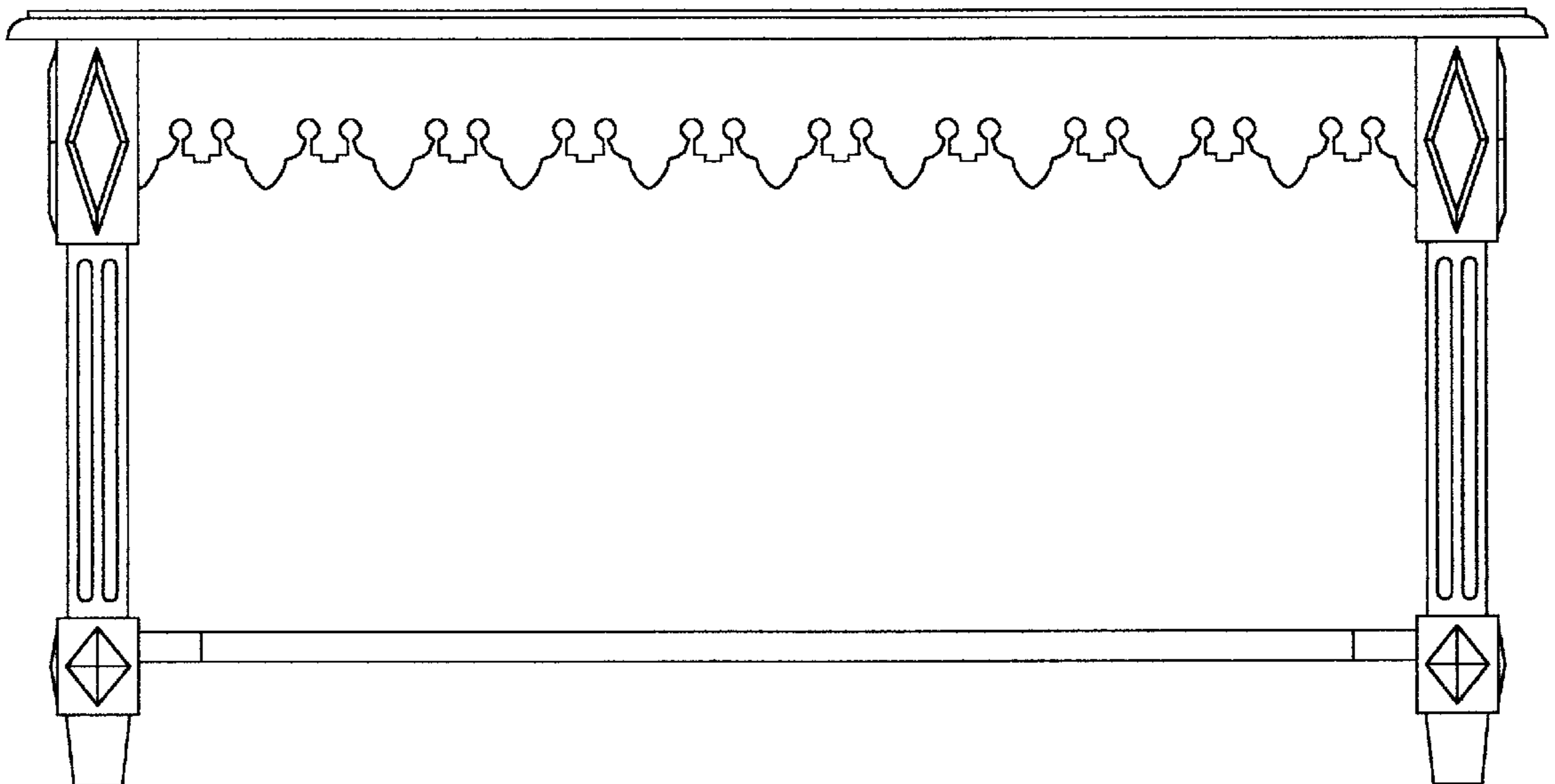


FIG. 4

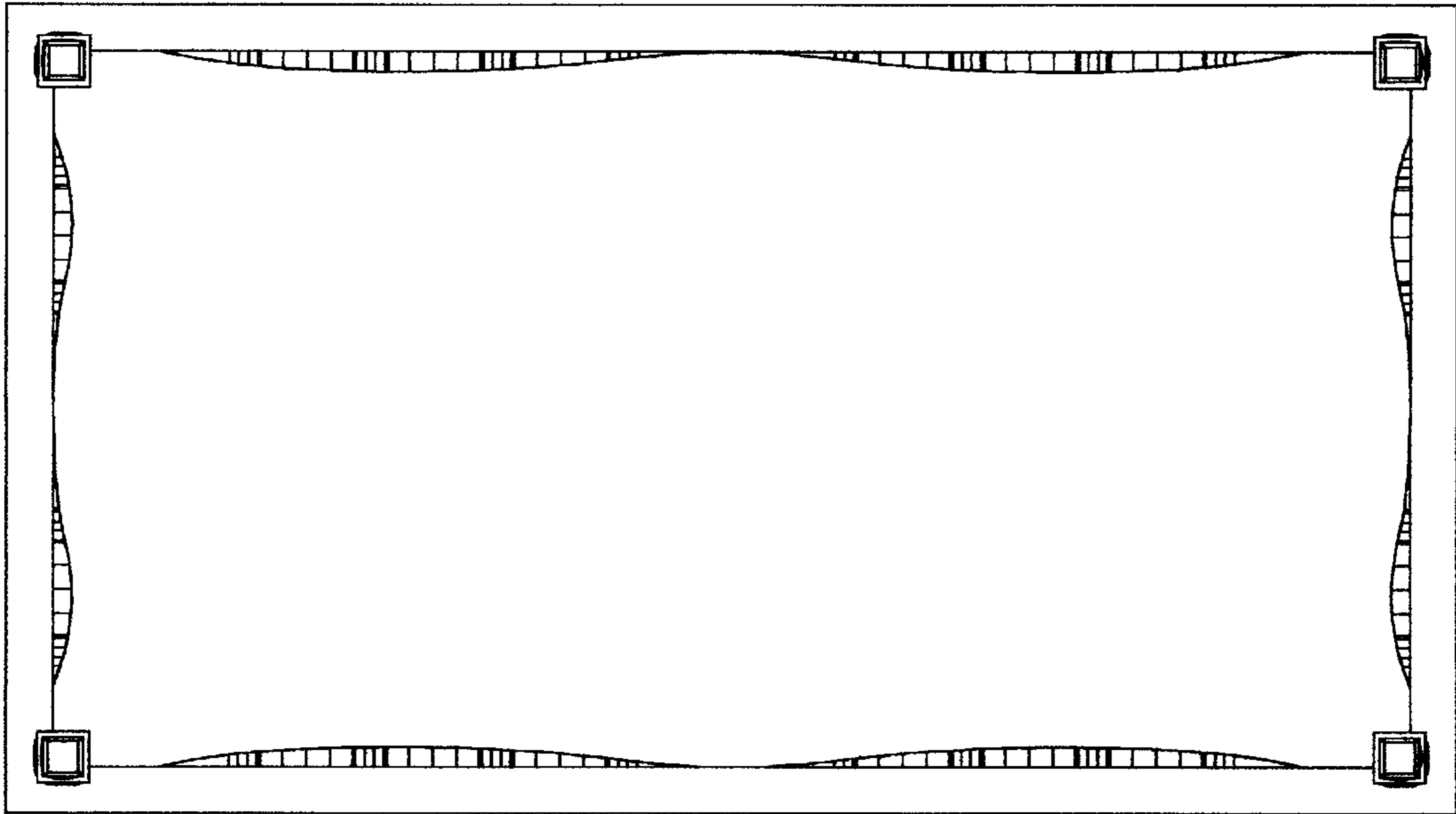


FIG. 5

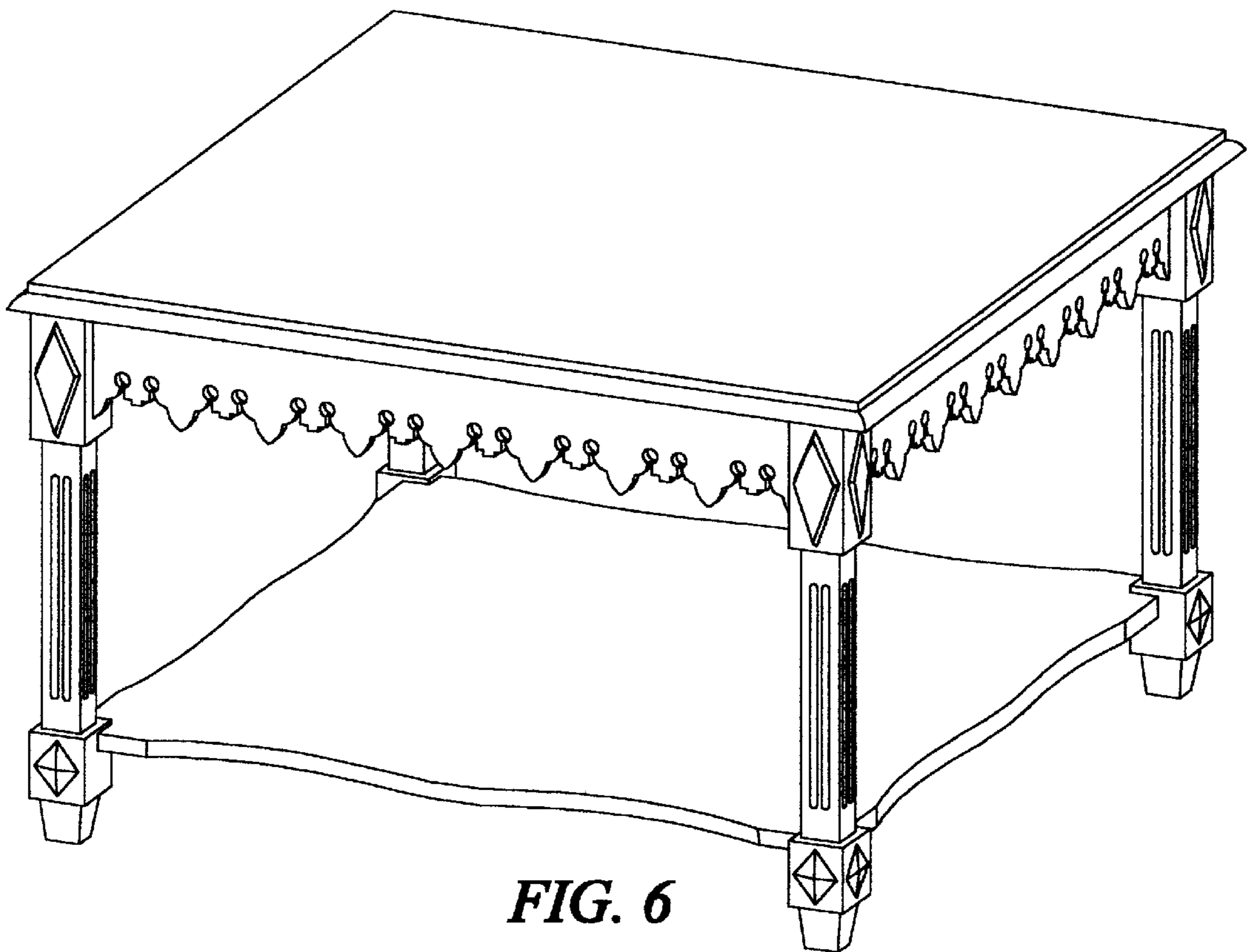


FIG. 6

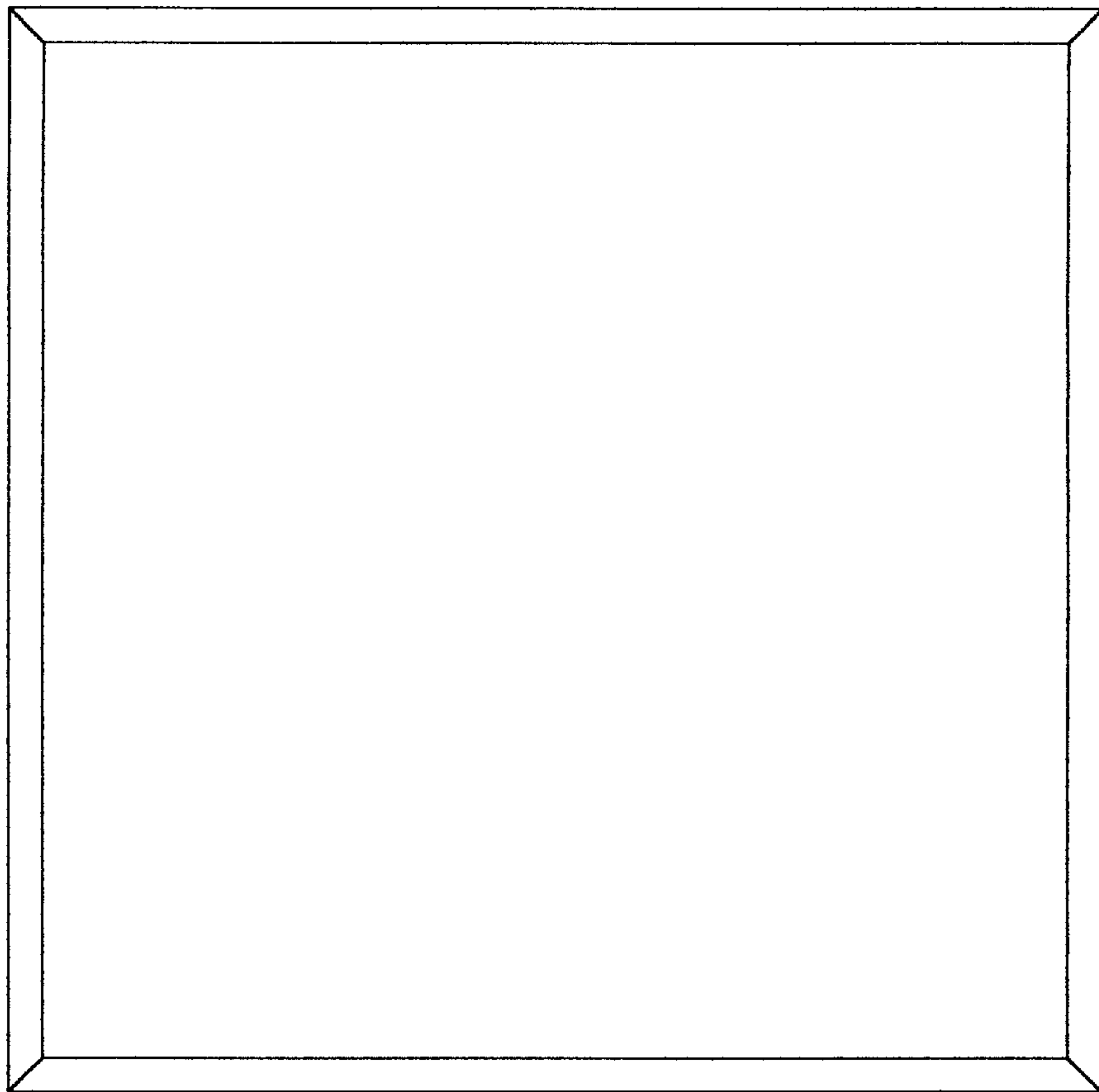


FIG. 7

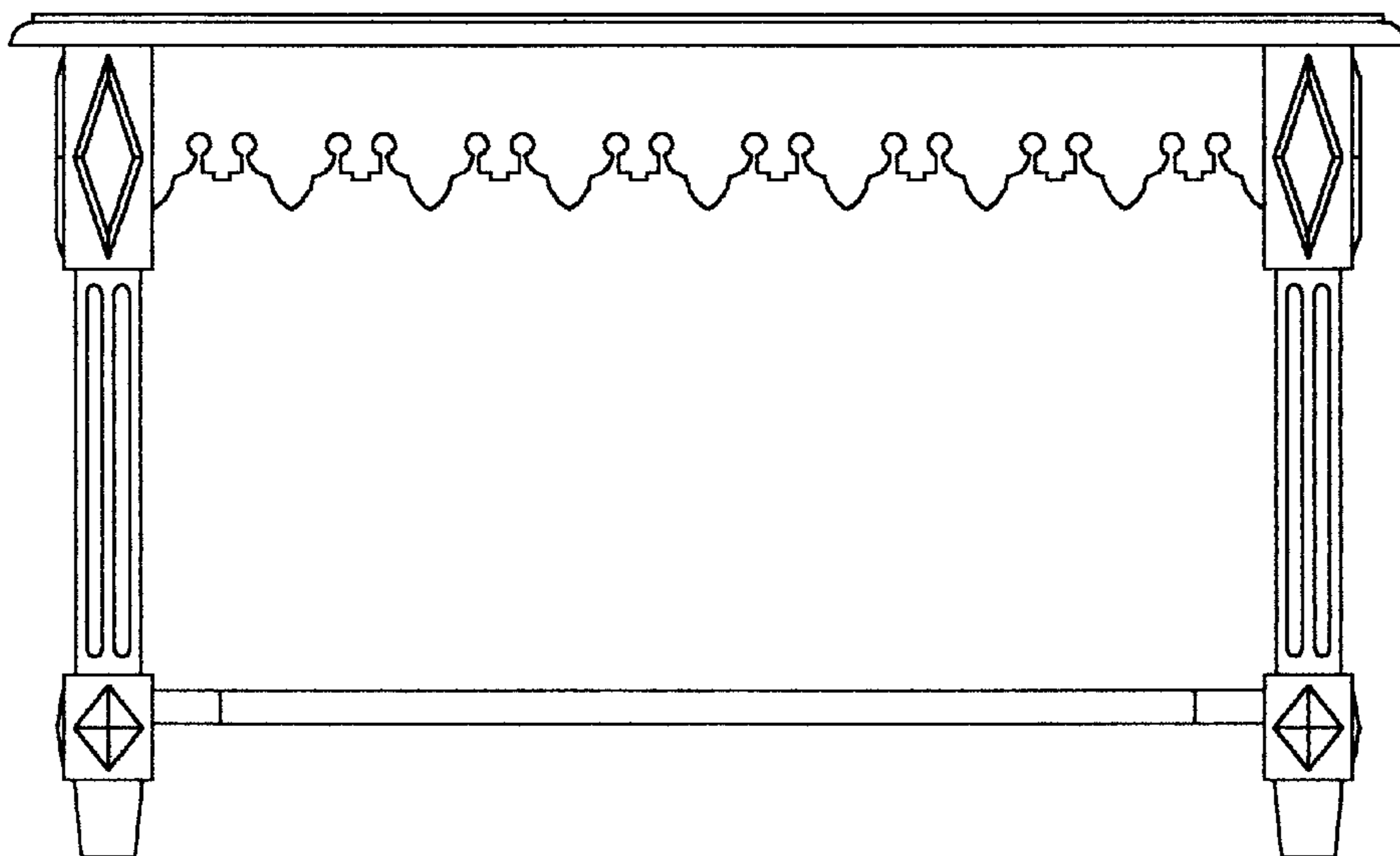


FIG. 8

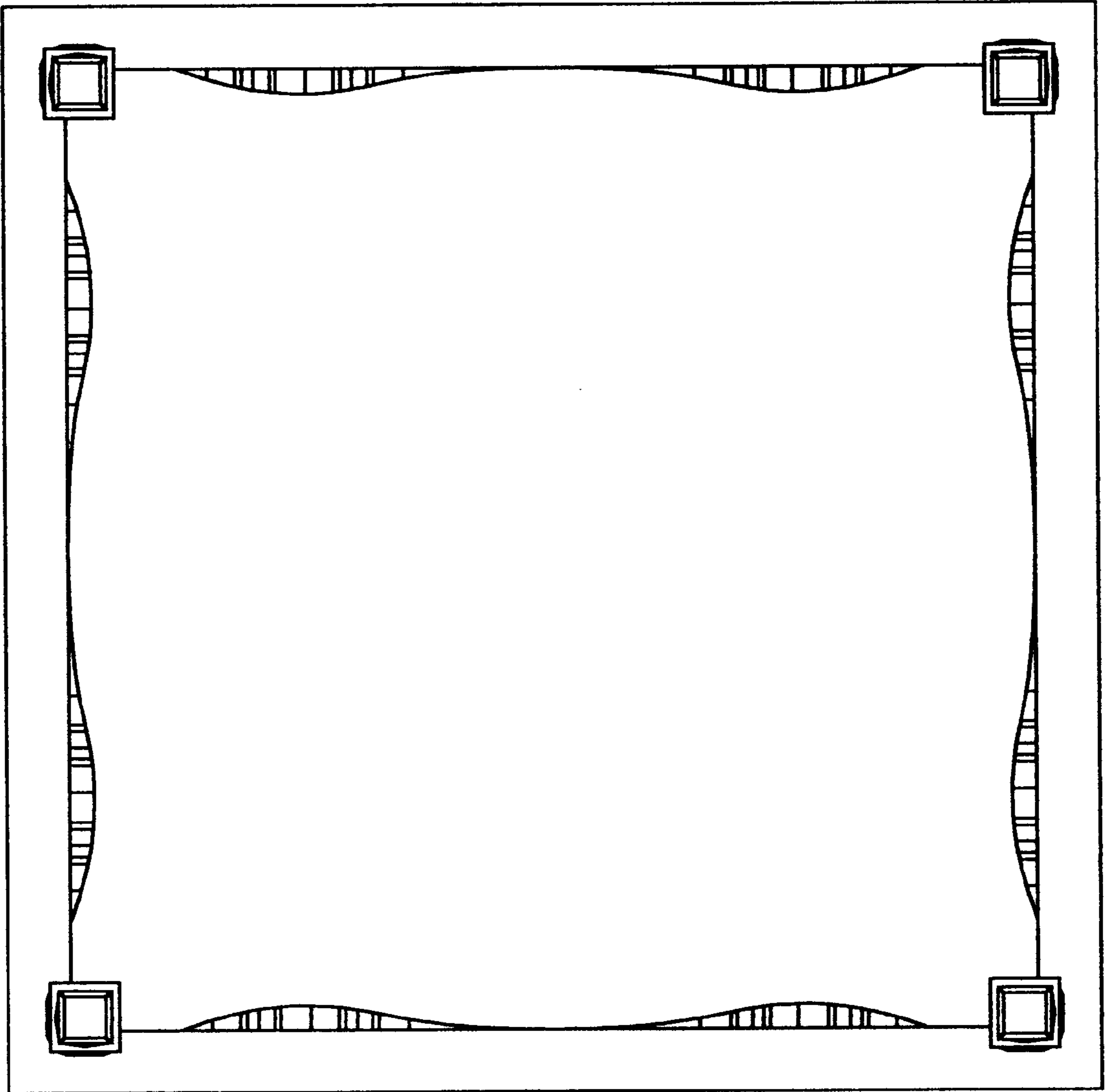


FIG. 9