



US00D415632S

# United States Patent [19] Dardashti

[11] Patent Number: Des. 415,632

[45] Date of Patent: \*\* Oct. 26, 1999

[54] STORAGE AND DISPLAY STAND

[76] Inventor: **Shahriar Dardashti**, c/o Atlantic, Inc.,  
10240 Matern Pl., P.O. Box 2399, Santa  
Fe Springs, Calif. 90670

[\*\*] Term: **14 Years**

[21] Appl. No.: **29/061,102**

[22] Filed: **Oct. 16, 1996**

### Related U.S. Application Data

[63] Continuation-in-part of application No. 29/050,639, Feb. 20,  
1996, Pat. No. Des. 387,226.

[51] **LOC (6) Cl.** ..... **06-04**

[52] **U.S. Cl.** ..... **D6/474; D6/407; D26/58**

[58] **Field of Search** ..... D6/474, 477-479,  
D6/407, 627, 629, 628, 630, 405, 461-468;  
211/134, 135, 40-42, 128, 133, 188, 194,  
128.1, 133.1; D34/21; 108/91-93, 60, 149;  
D26/51, 58, 93, 110-112, 105, 106; 362/127

[56] **References Cited**

#### U.S. PATENT DOCUMENTS

- Re. 28,293 1/1975 Bustos .
- D. 51,055 7/1917 Board .
- D. 109,389 4/1938 Beyrle ..... D6/474
- D. 129,636 9/1941 Dreyfuss .
- D. 134,294 9/1942 Papas .

(List continued on next page.)

#### FOREIGN PATENT DOCUMENTS

- 12 759 12/1909 Denmark .
- 193 901 9/1986 European Pat. Off. .
- 0 285 193 11/1987 European Pat. Off. .
- 476 729 3/1992 European Pat. Off. .
- 1.144.164 10/1957 France .
- 2217917 9/1974 France .
- 525 985 5/1931 Germany .
- 588 668 11/1933 Germany .
- 269 961 of 1950 Germany .
- 3 911 136 4/1989 Germany .
- 9 012 8052 9/1990 Germany .

- 39111369 10/1990 Germany .
- 495730 10/1970 Switzerland .
- 168883 8/1991 Taiwan .
- 210175 7/1993 Taiwan .
- 211687 8/1993 Taiwan .

### OTHER PUBLICATIONS

Salamander Designs "Archetype System" Advertisement—  
Copyright 1997 Salamander Designs Ltd.

*Primary Examiner*—James Gandy  
*Assistant Examiner*—Linda Brooks  
*Attorney, Agent, or Firm*—Oppenheimer Wolff & Donnelly  
LLP

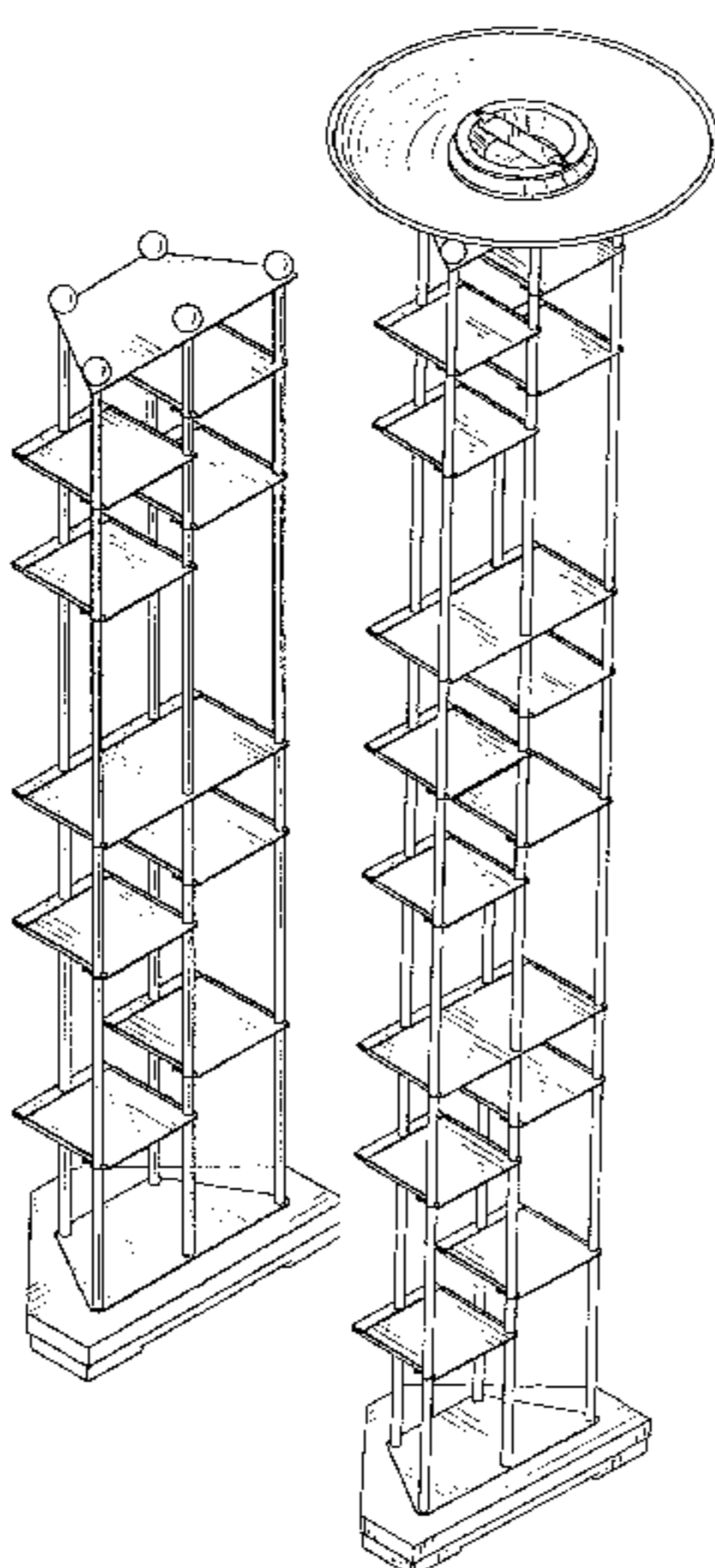
[57] **CLAIM**

The ornamental design for a storage and display stand, as  
shown and described.

### DESCRIPTION

FIG. 1 is a perspective view of a storage and display stand showing my new design;  
 FIG. 2 is a top plan view thereof;  
 FIG. 3 is a bottom plan view thereof;  
 FIG. 4 is a left side elevational view thereof;  
 FIG. 5 is a front elevational view thereof;  
 FIG. 6 is a rear elevational view thereof;  
 FIG. 7 is a right side elevational view thereof;  
 FIG. 8 is a perspective view of a second embodiment thereof;  
 FIG. 9 is a top plan view of FIG. 8;  
 FIG. 10 is a bottom plan view of FIG. 8;  
 FIG. 11 is a left side elevational view of FIG. 8;  
 FIG. 12 is a front elevational view of FIG. 8;  
 FIG. 13 is a rear elevational view of FIG. 8;  
 FIG. 14 is a right side elevational view of FIG. 8;  
 FIG. 15 is a perspective view of a third embodiment thereof;  
 FIG. 16 is a top plan view of FIG. 15;  
 FIG. 17 is a bottom plan view of FIG. 15;  
 FIG. 18 is a left side elevational view of FIG. 15;  
 FIG. 19 is a front elevational view of FIG. 15;  
 FIG. 20 is a rear elevational view of FIG. 15; and,  
 FIG. 21 is a right side elevational view of FIG. 15.

**1 Claim, 9 Drawing Sheets**



## U.S. PATENT DOCUMENTS

D. 152,330	1/1949	Dillon .	900,331	10/1908	Weston .
D. 153,046	3/1949	Struhl .	1,265,373	5/1918	Philip .
D. 193,258	7/1962	McPhail .....	1,688,048	7/1928	Irvine .
		D6/468	2,143,592	1/1939	Baldeck .
D. 205,114	6/1966	Brinley .	2,646,175	7/1953	Beauvais et al. .
D. 233,294	10/1974	Goulder .	3,684,285	8/1972	Kane .
D. 233,379	10/1974	Hudson et al. .	3,730,601	5/1973	Misenheimer, III .....
D. 237,432	11/1975	Taub .	3,788,242	1/1974	Hassel et al. .
D. 241,101	8/1976	Kapnek .	3,834,324	9/1974	Lang .
D. 244,499	5/1977	Parfitt .	3,877,396	4/1975	Patterson .
D. 305,836	2/1990	Maia .	4,136,623	1/1979	Dickson .....
D. 307,988	5/1990	Newfield .	4,262,439	4/1981	Dinan et al. .
D. 316,643	5/1991	Cheetham .	4,345,526	8/1982	Streit .
D. 318,280	7/1991	Sumrell et al. .	4,351,244	9/1982	Suttles .
D. 321,296	11/1991	Miranda .	4,442,778	4/1984	Lang .
D. 325,137	4/1992	Porter .	4,469,232	9/1984	Lusch .
D. 339,485	9/1993	James .	4,574,709	3/1986	Lackey et al. .
D. 353,376	12/1994	Fukutomi .	4,678,089	7/1987	Lang .
D. 357,160	4/1995	Fritze .	4,940,150	7/1990	Spengler .
D. 357,331	4/1995	Yeh .	4,953,719	9/1990	Spamer .
D. 359,648	6/1995	Hwang .....	4,961,506	10/1990	Lang .
		D6/407 X	5,048,429	9/1991	Freiberg .
D. 360,276	7/1995	Lundquist et al. ....	5,117,989	6/1992	Ross .
		D26/106	5,195,642	3/1993	Dardashti .
D. 360,329	7/1995	Chu .	5,314,077	5/1994	Theosabrata .
D. 363,626	10/1995	Herbst .	5,341,943	8/1994	Fraser .
D. 368,396	4/1996	Bidwell .	5,358,124	10/1994	Mueller .
D. 368,544	4/1996	Perillo et al. ....	5,370,242	12/1994	Huang .
		D26/106 X	5,487,599	1/1996	Weisburn et al. .
D. 368,548	4/1996	Lee .....	5,584,398	12/1996	Lin .
		D26/106	5,595,312	1/1997	Dardashti .
D. 368,815	4/1996	Keller et al. .			
D. 370,330	5/1996	Carpenter et al. .			
D. 387,226	12/1997	Dardashti .			
D. 387,236	12/1997	Madonna .			
816,053	3/1906	Wittbold .			

FIG. 1

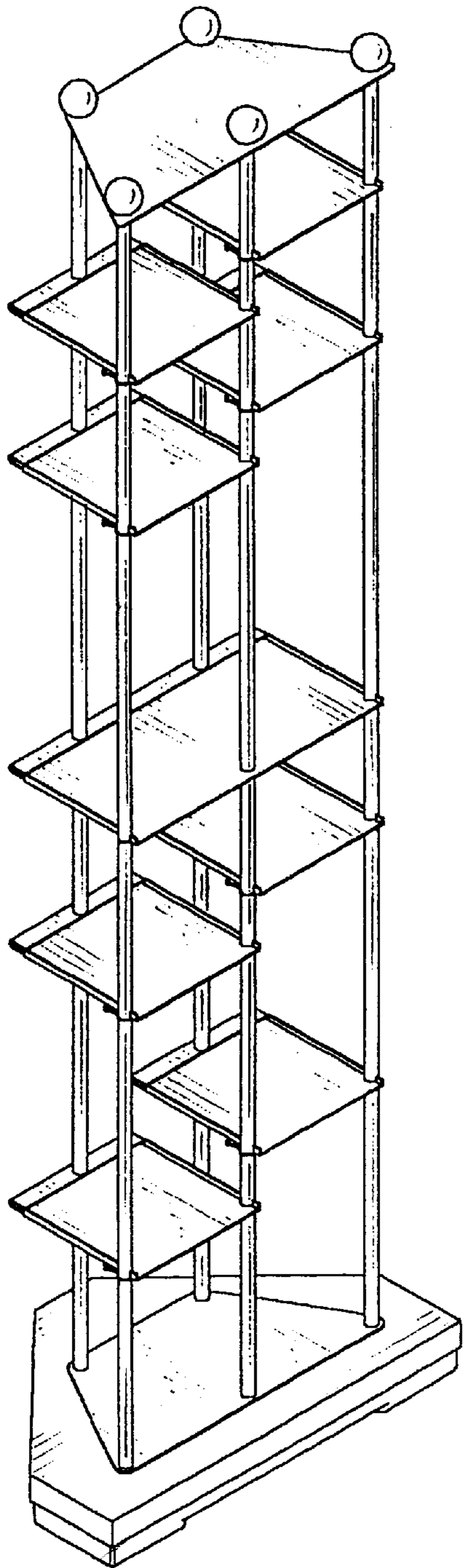


FIG. 2

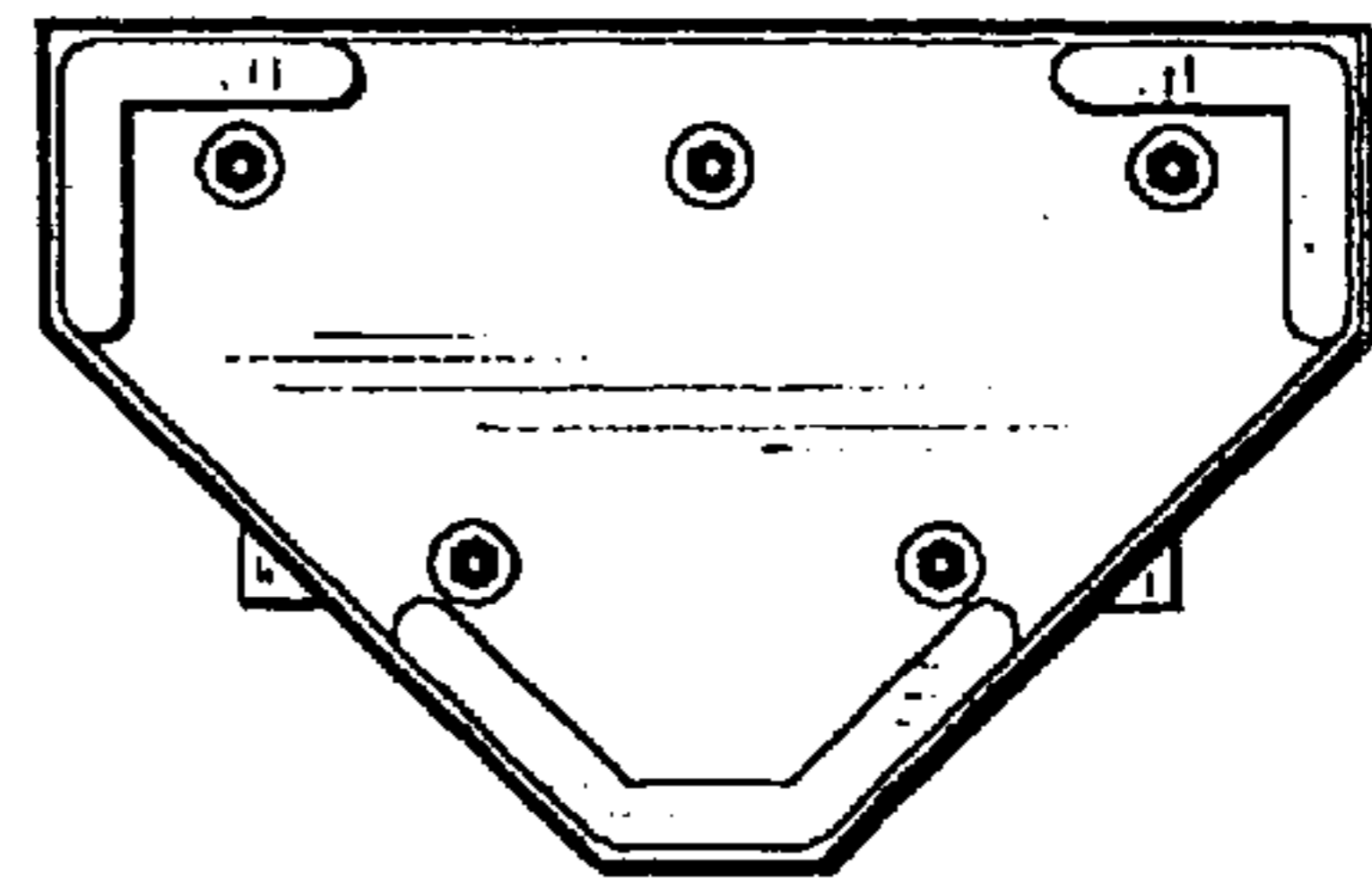
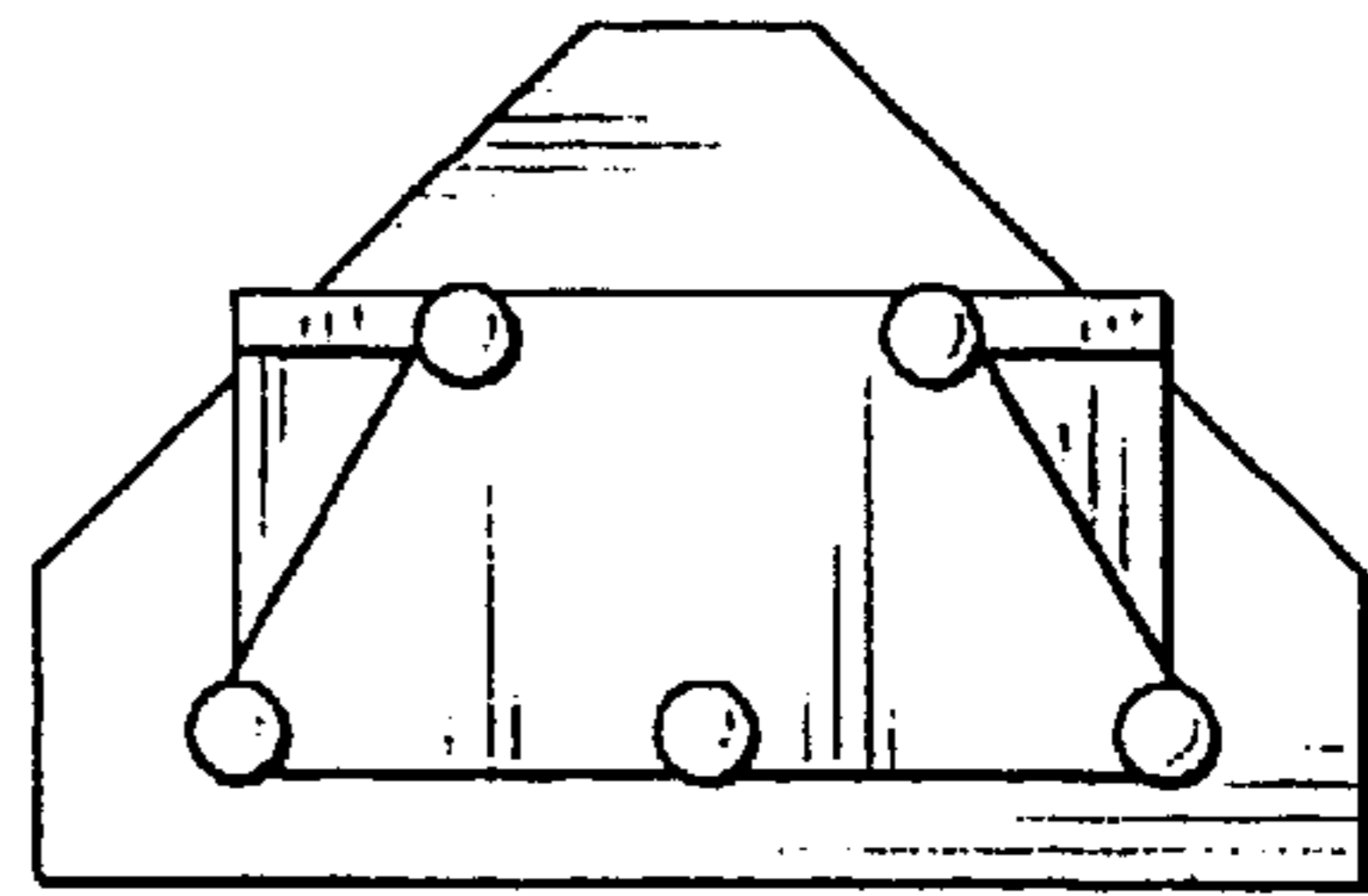


FIG. 3

FIG. 4

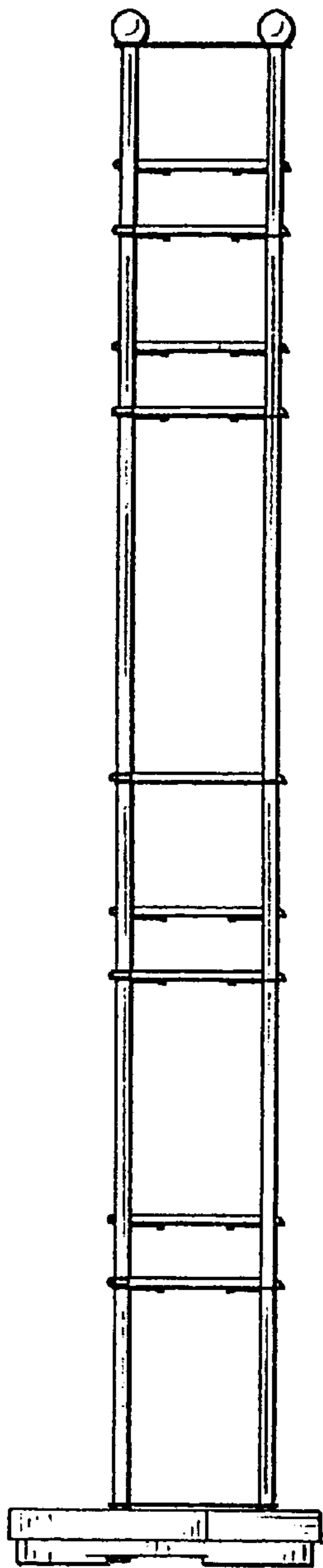


FIG. 5

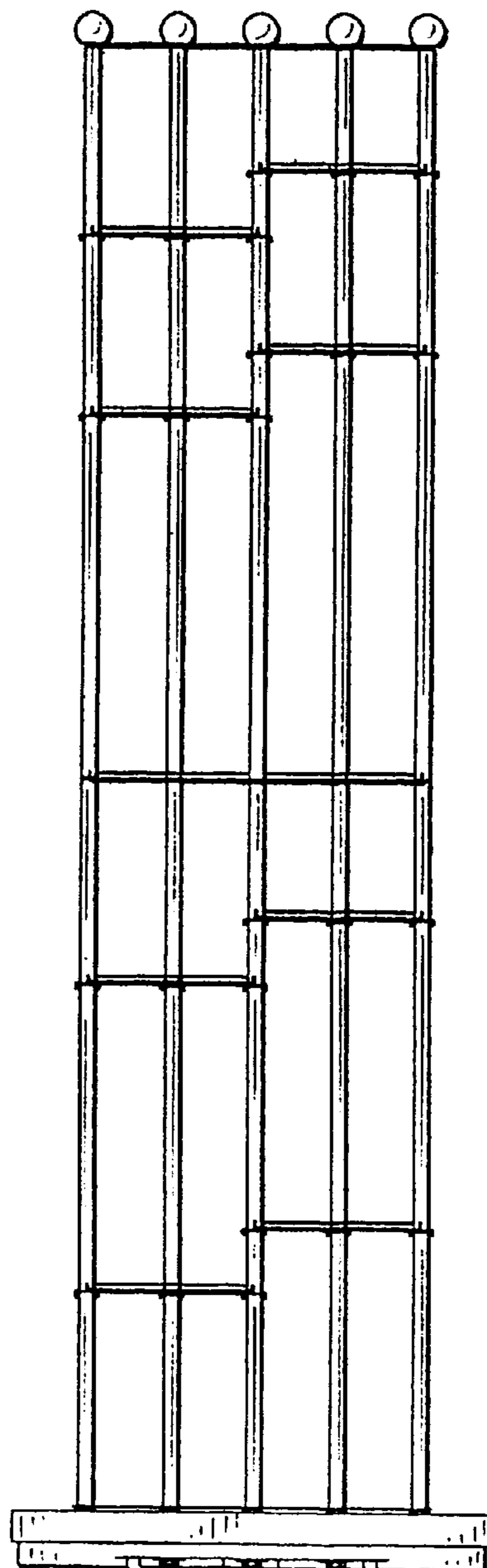


FIG. 6

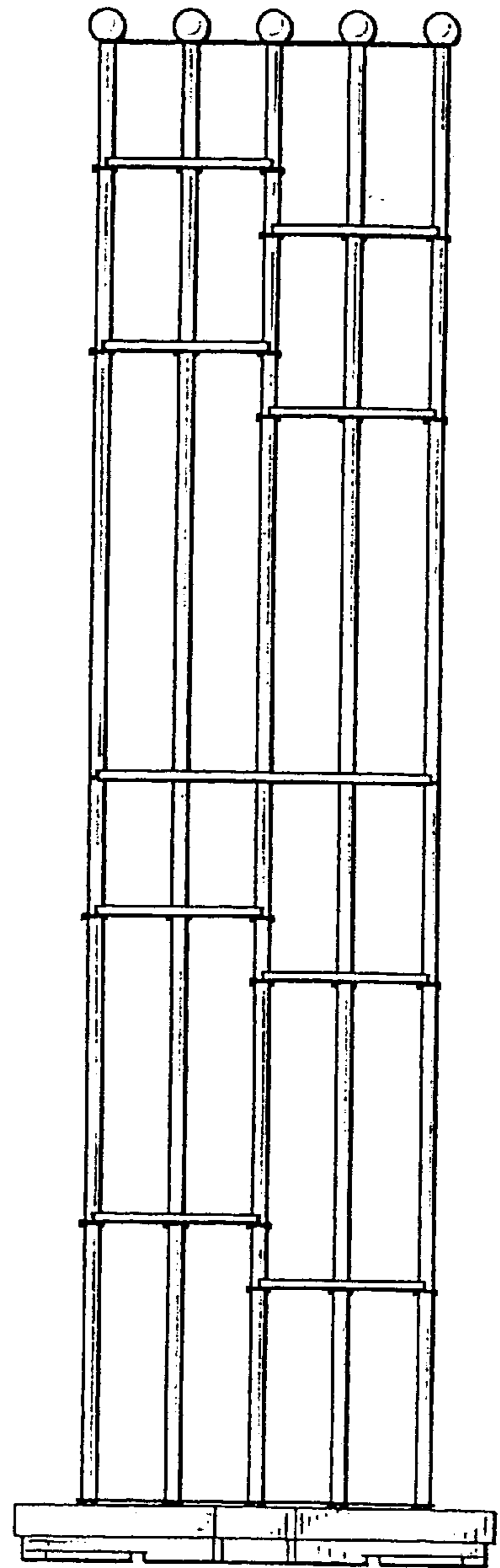
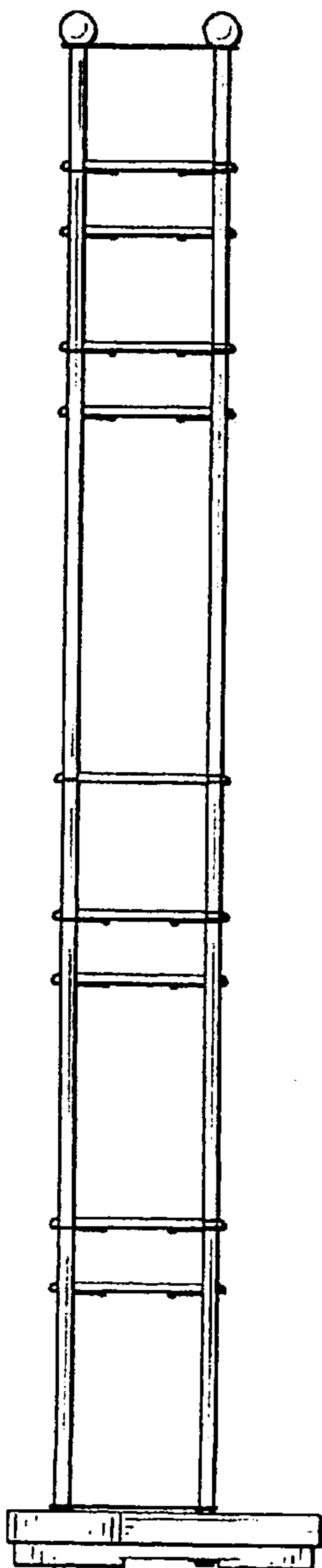


FIG. 7



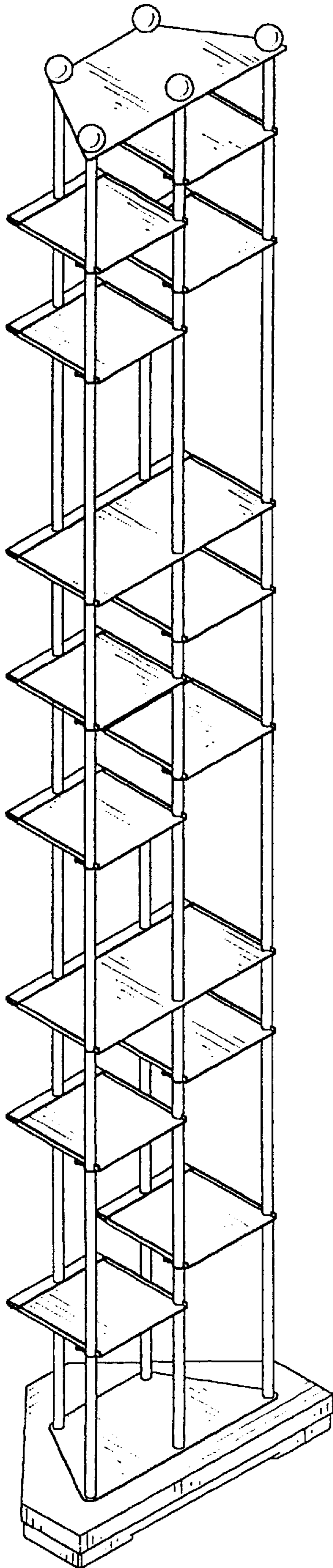


FIG. 8

FIG. 9

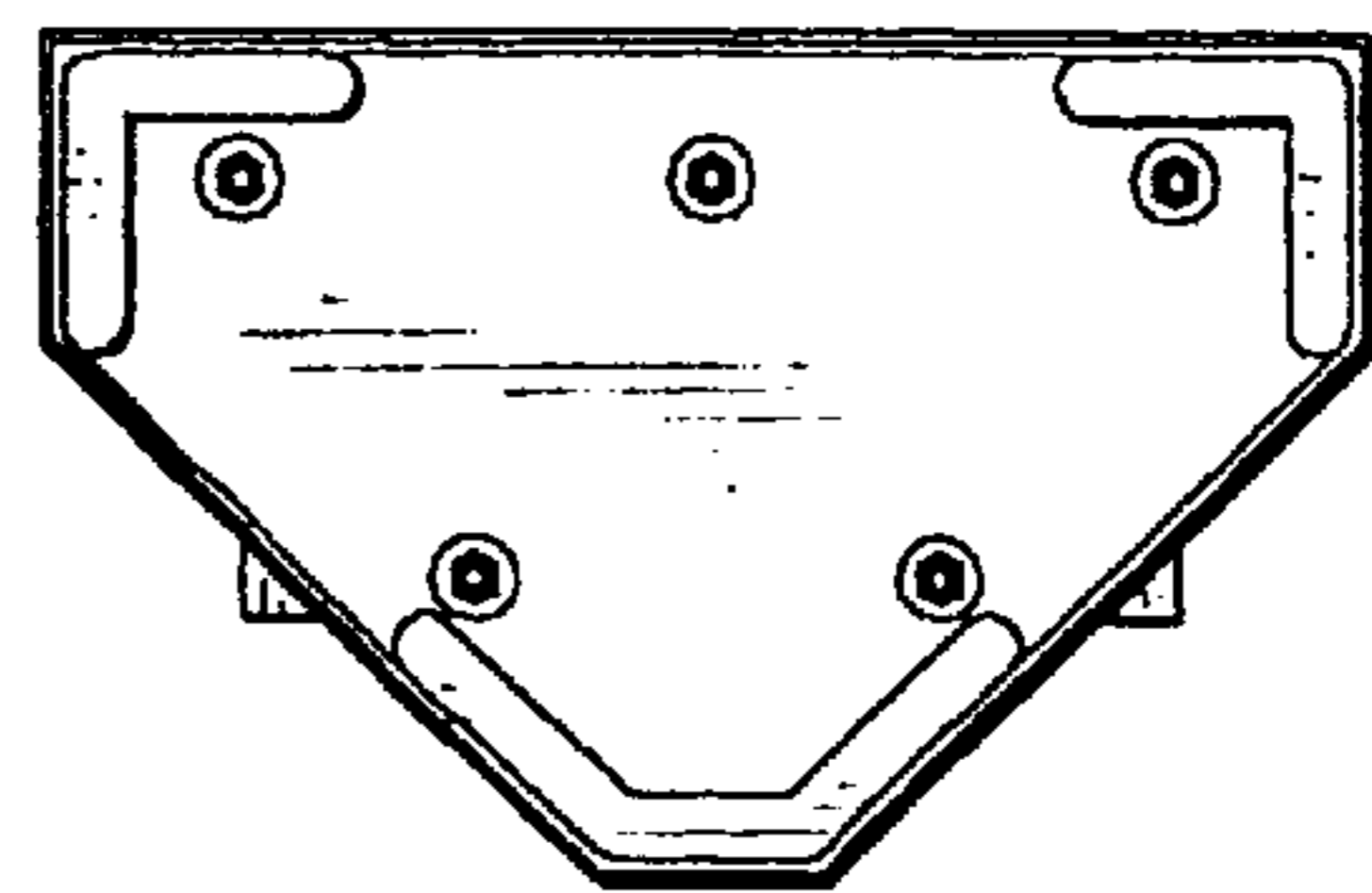
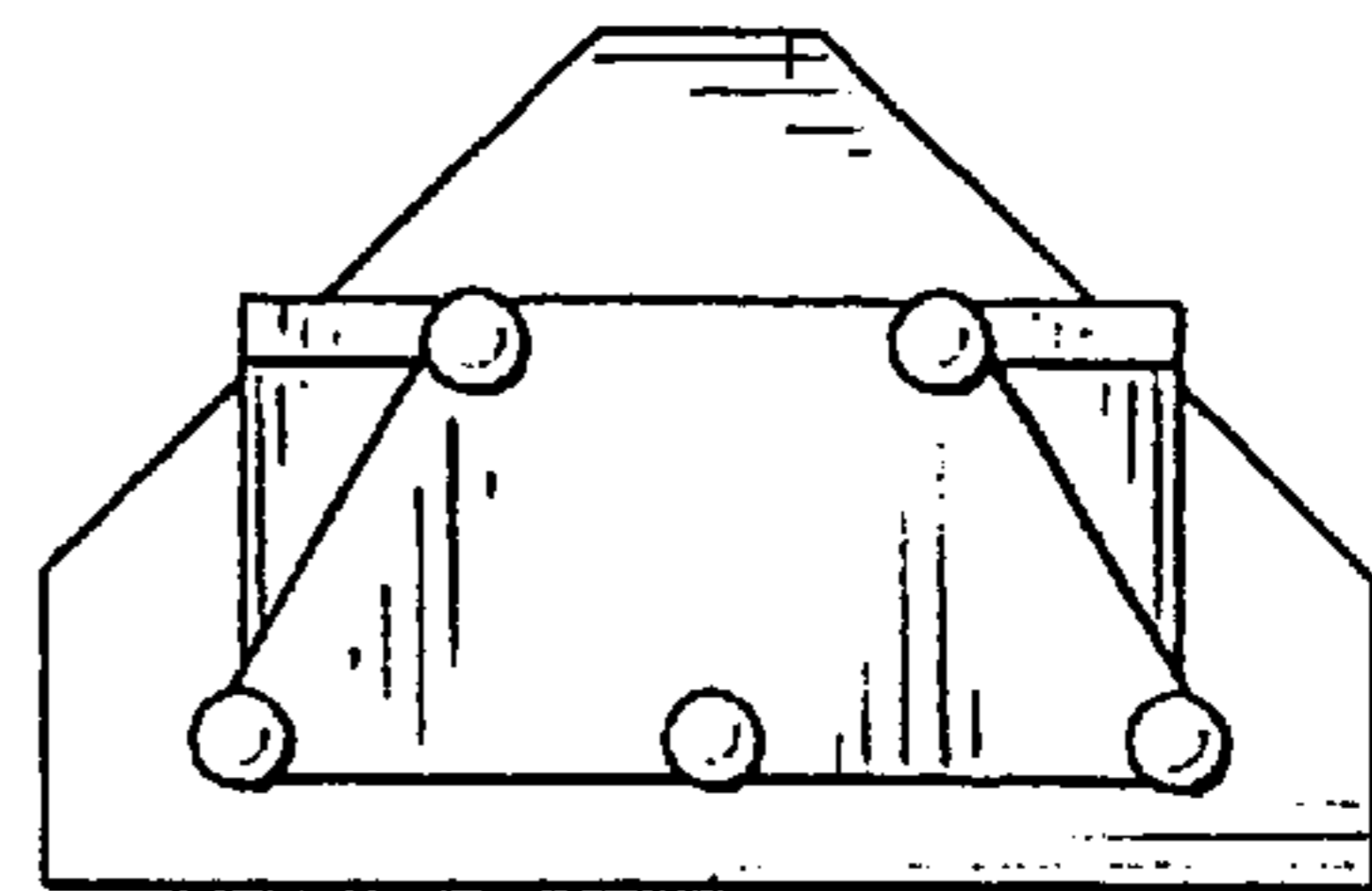


FIG. 10

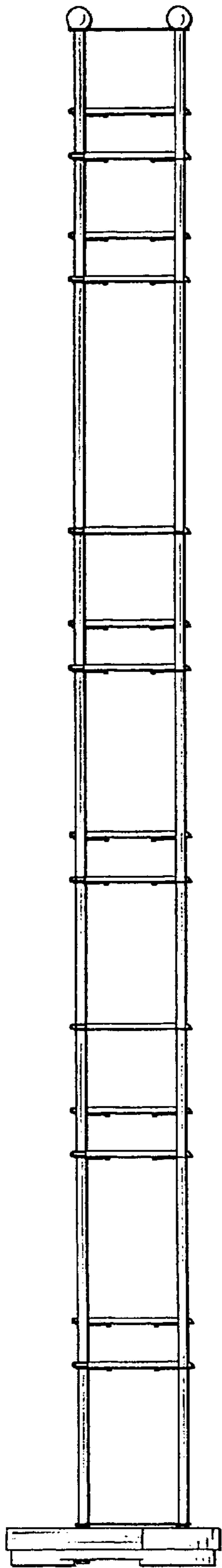
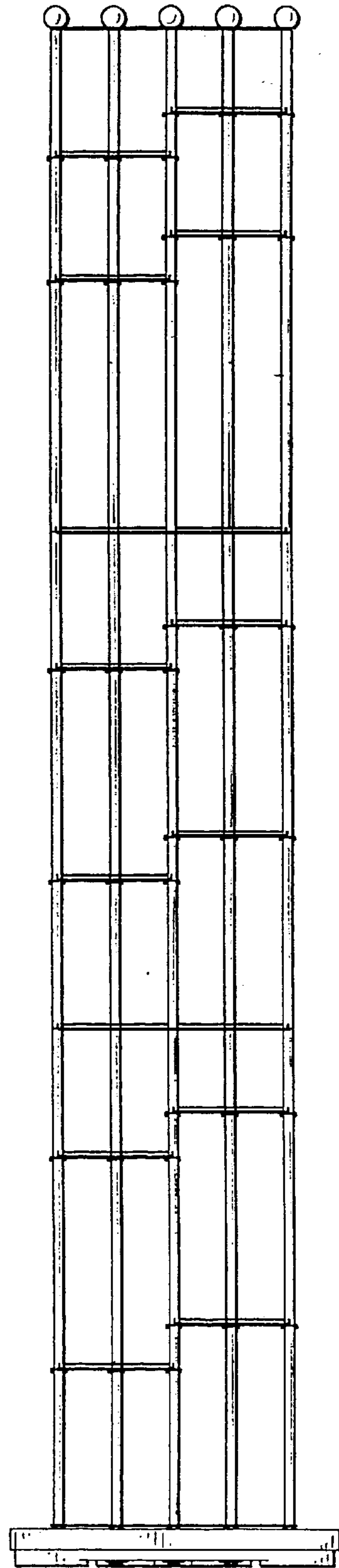


FIG. 11

FIG. 12



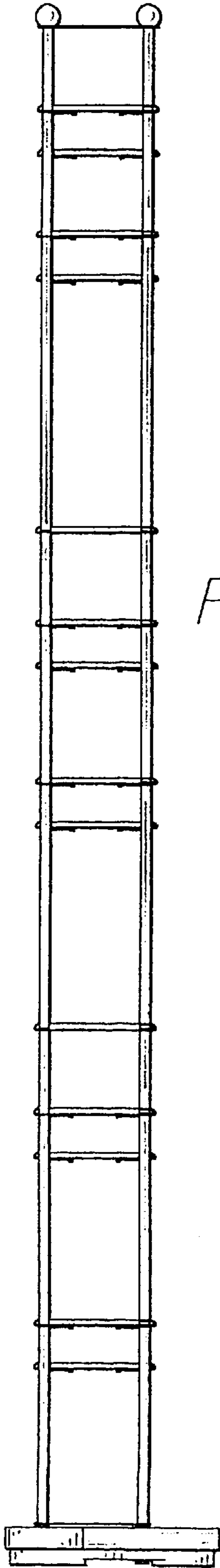
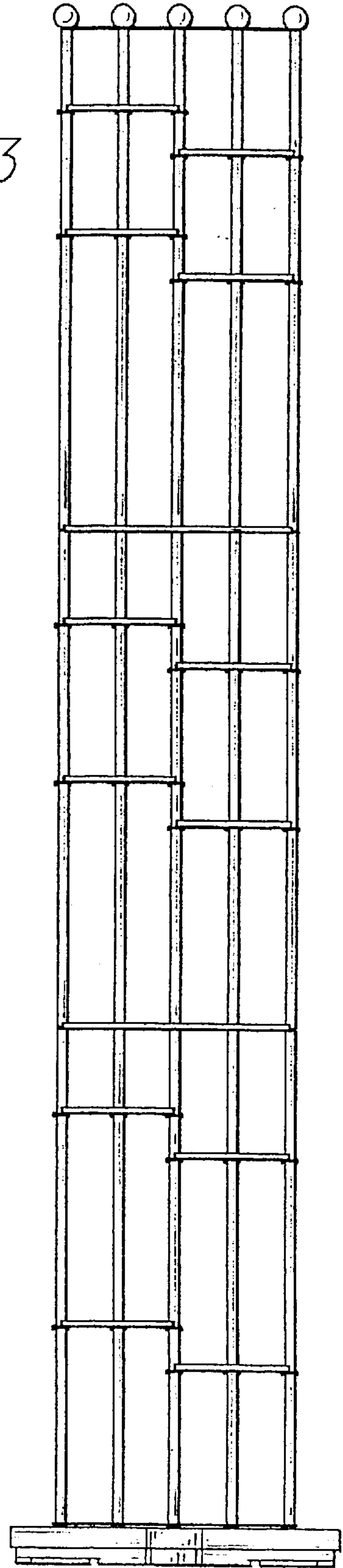


FIG. 14

FIG. 13





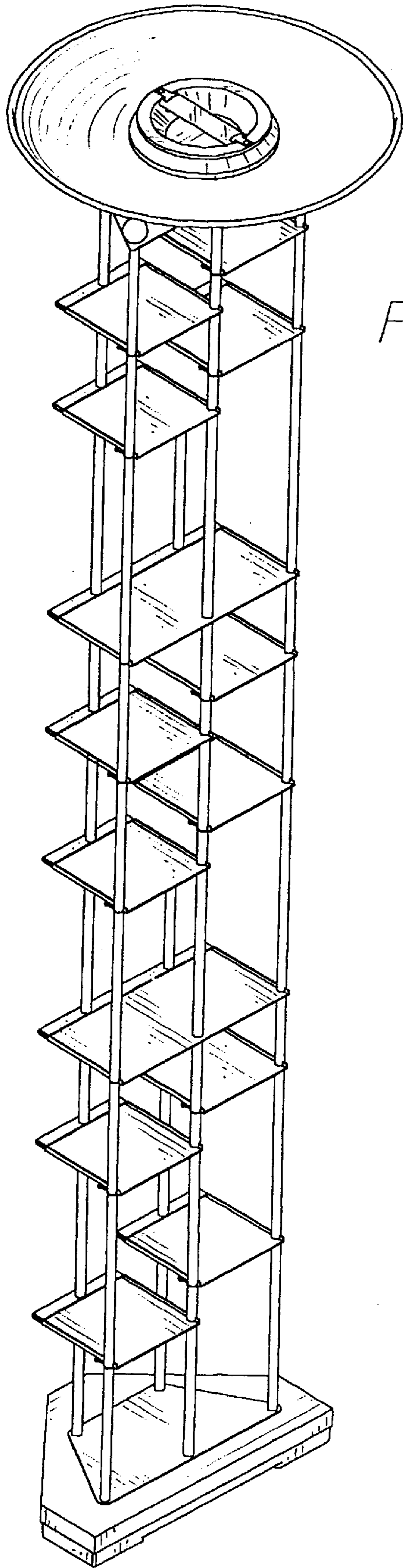


FIG. 15

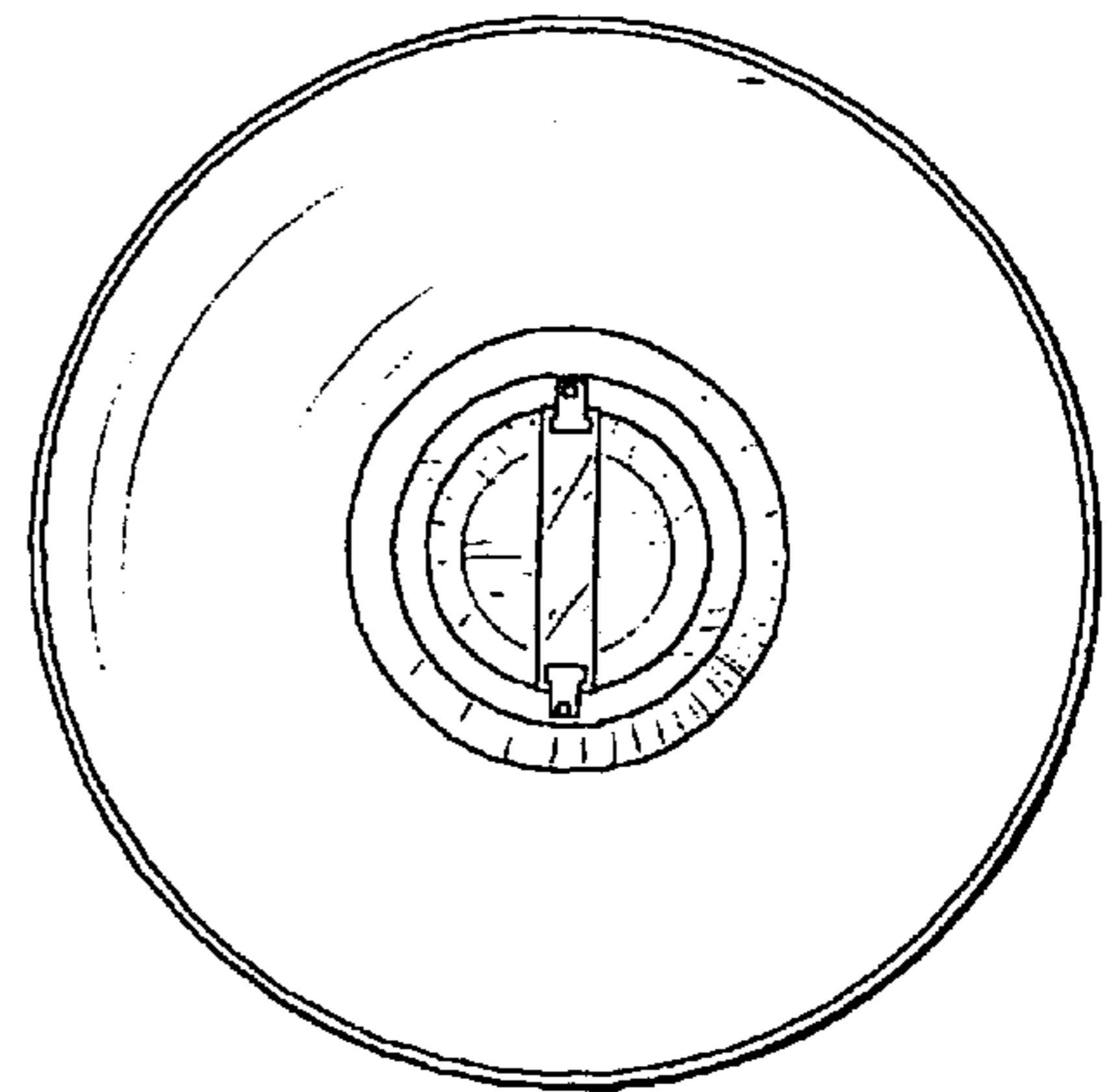


FIG. 16

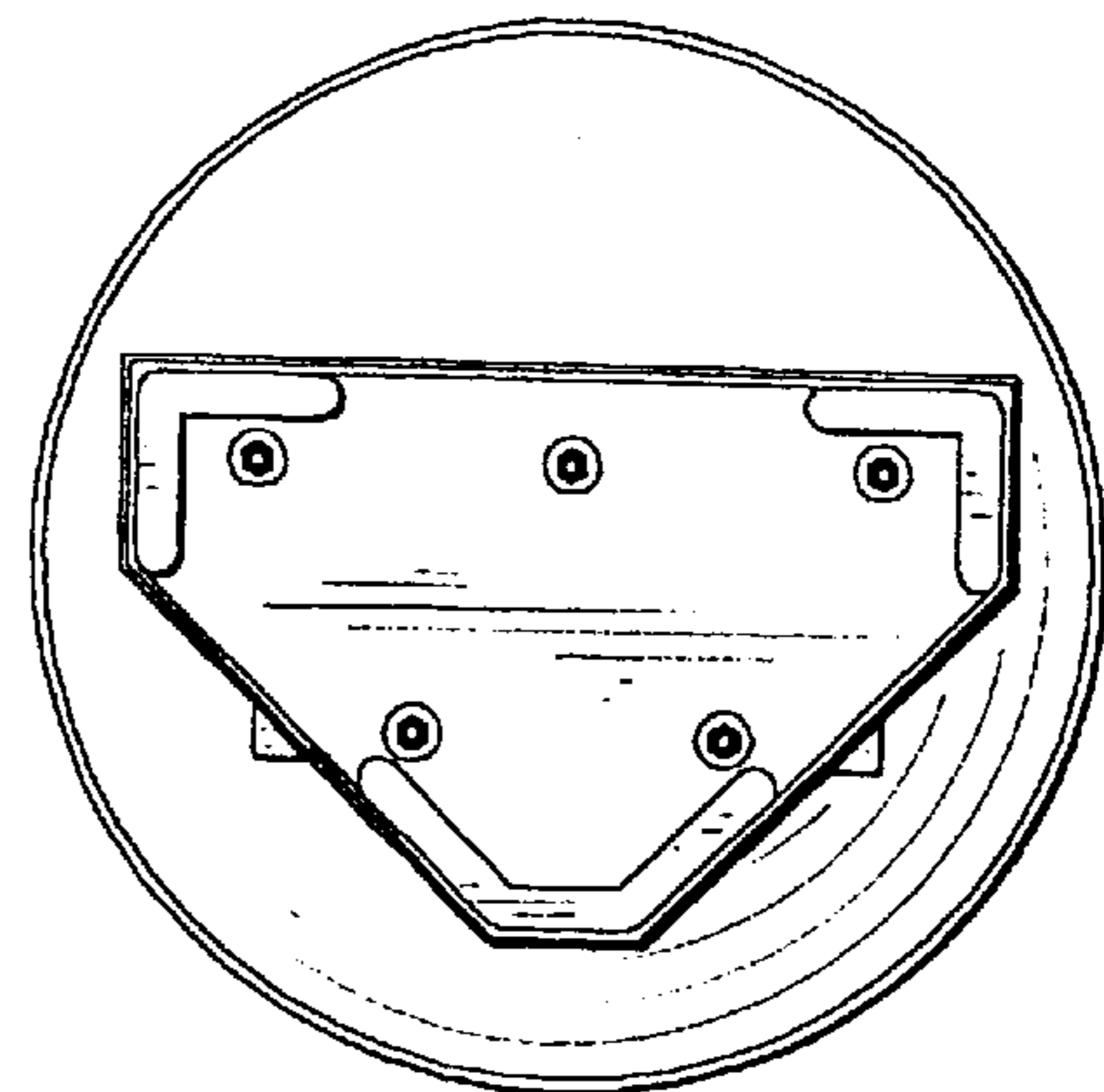


FIG. 17

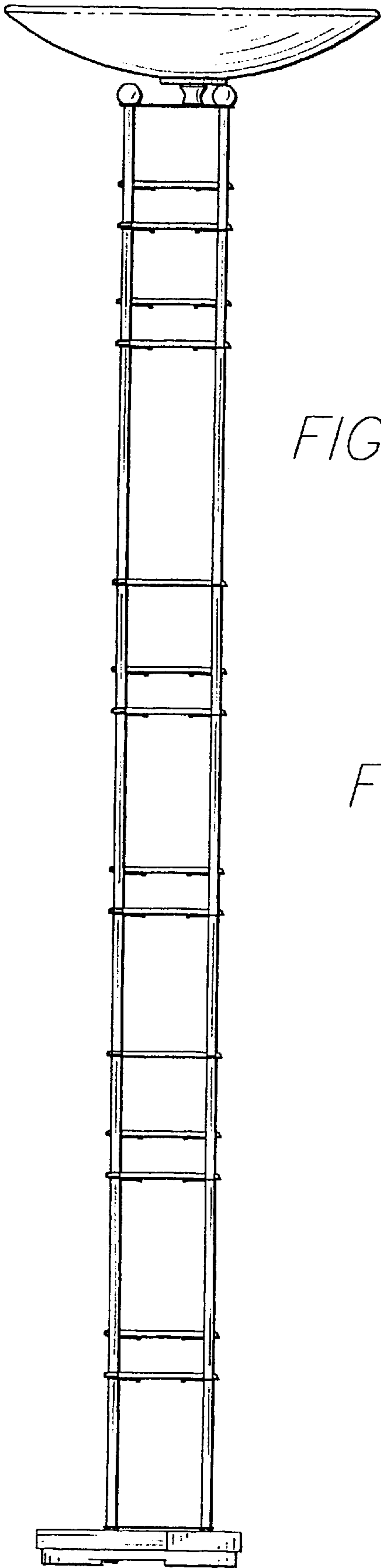


FIG. 18

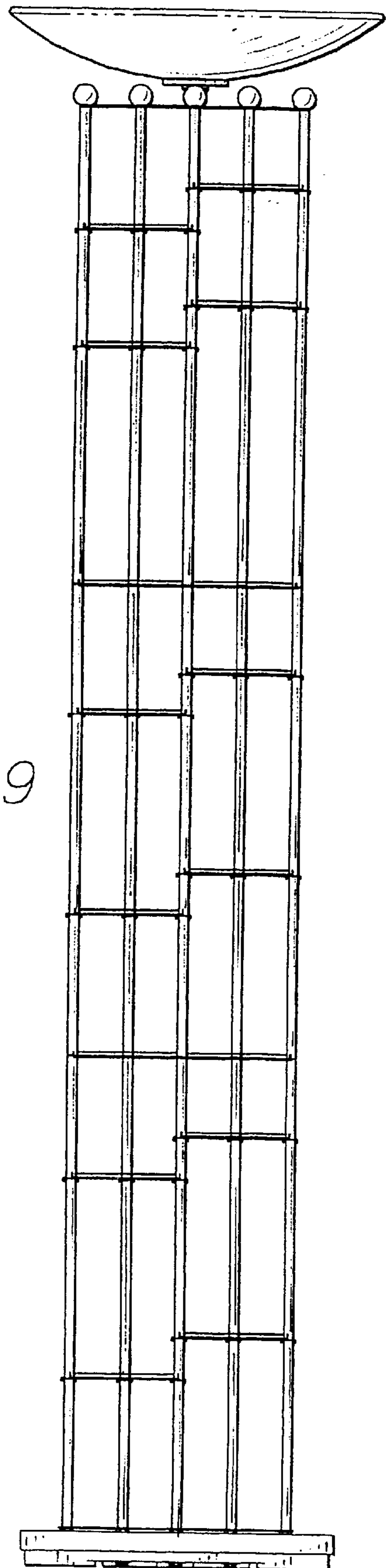


FIG. 19

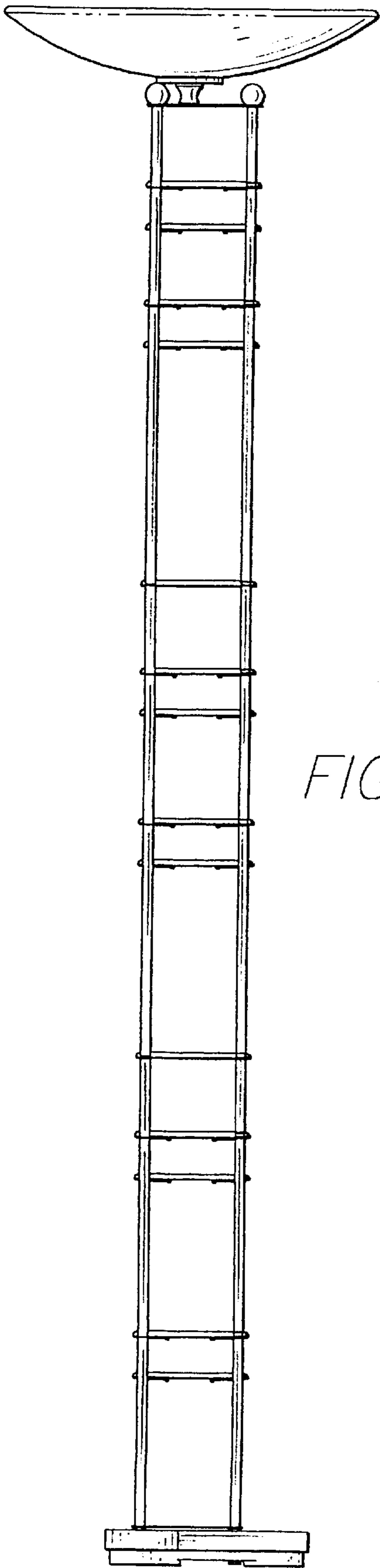


FIG. 21

FIG. 20

