



US00D415626S

United States Patent [19] Van Rhienen

[11] **Patent Number: Des. 415,626**
[45] **Date of Patent: ** Oct. 26, 1999**

[54] **STACKABLE CHAIR**

[75] **Inventor: Alphons Van Rhienen**, Schoten, Belgium

[73] **Assignee: Euro United Corporation**, Oakville, Canada

[**] **Term: 14 Years**

[21] **Appl. No.: 29/094,203**

[22] **Filed: Sep. 28, 1998**

[51] **LOC (6) Cl. 06-01**

[52] **U.S. Cl. D6/379; D6/370; D6/374**

[58] **Field of Search D6/334, 370, 374, D6/375, 379, 380, 500, 501, 502; 297/239, 411.42, DIG. 2**

[56] **References Cited**

U.S. PATENT DOCUMENTS

D. 234,240	2/1975	Noda et al.	D6/379
D. 274,770	7/1984	Massonnet	D6/375
D. 329,339	9/1992	Grosfillex .	
D. 330,291	10/1992	Grosfillex	D6/370
D. 331,324	12/1992	Grosfillex	D6/375
D. 335,972	6/1993	Lamalle .	
D. 338,347	8/1993	Hubert	D6/370
D. 360,537	7/1995	VanSkiver .	
D. 361,903	9/1995	VanSkiver .	
D. 362,556	9/1995	VanSkiver .	

D. 362,759	10/1995	Sagol .	
D. 362,975	10/1995	Sagol .	
D. 364,748	12/1995	Morin .	
D. 366,159	1/1996	Sagol .	
D. 373,255	9/1996	Gresens	D6/379
D. 373,473	9/1996	Grosfillex .	

FOREIGN PATENT DOCUMENTS

66187 6/1990 Canada .

OTHER PUBLICATIONS

“Creez Votre, Propre Decor De Jardin” Sears Catalog, May 1991.

Primary Examiner—Gary D. Watson
Attorney, Agent, or Firm—Barrigar & Moss

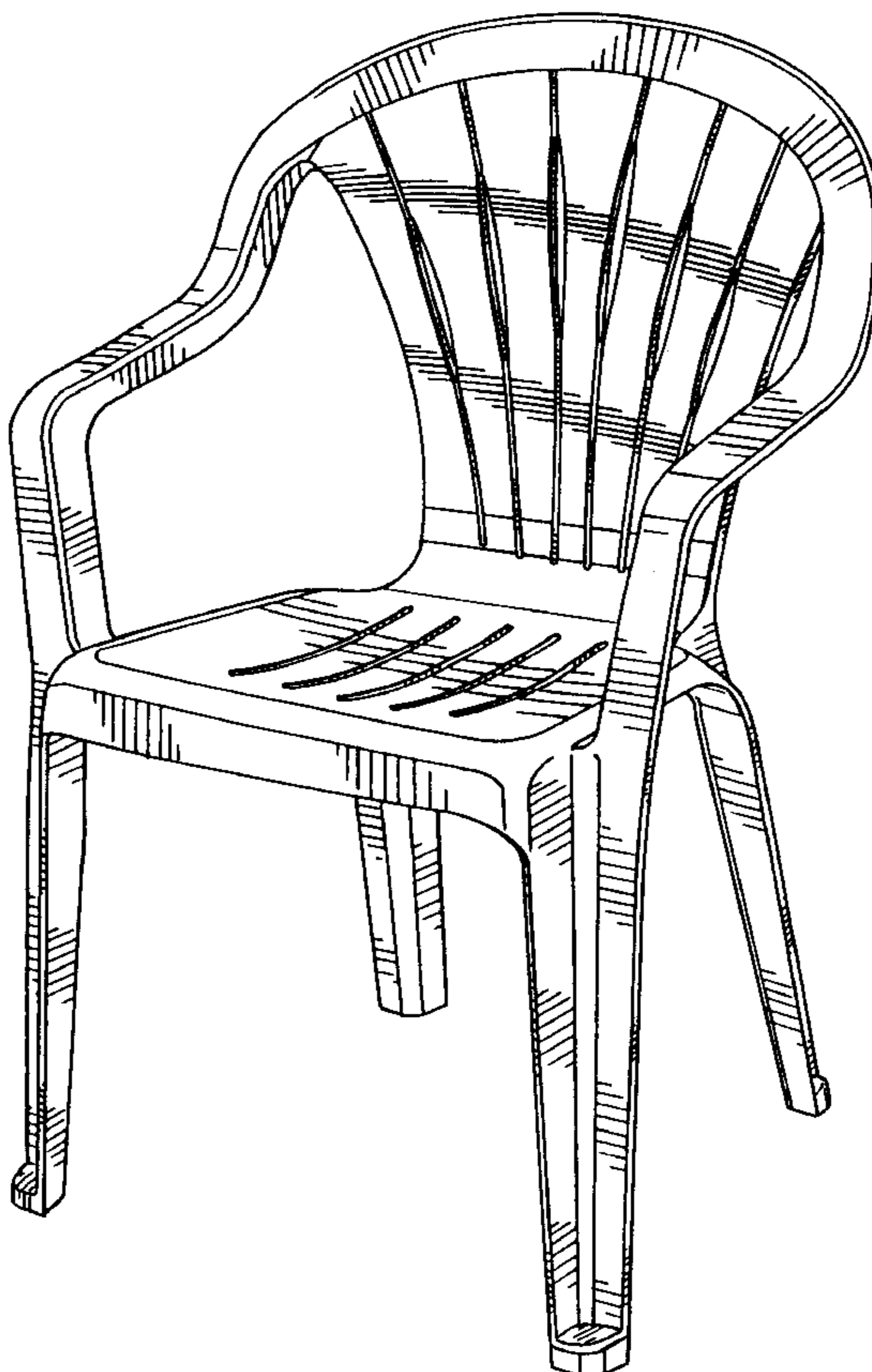
[57] **CLAIM**

The ornamental design for a stackable chair, as shown and described.

DESCRIPTION

FIG. 1 is a perspective view of the stackable chair taken from the front and the left side;
FIG. 2 is a front elevation of the stackable chair;
FIG. 3 is a rear elevation of the stackable chair;
FIG. 4 is a left side view of the stackable chair, the opposite side being a mirror image thereof; and,
FIG. 5 is a top view of the stackable chair.

1 Claim, 3 Drawing Sheets



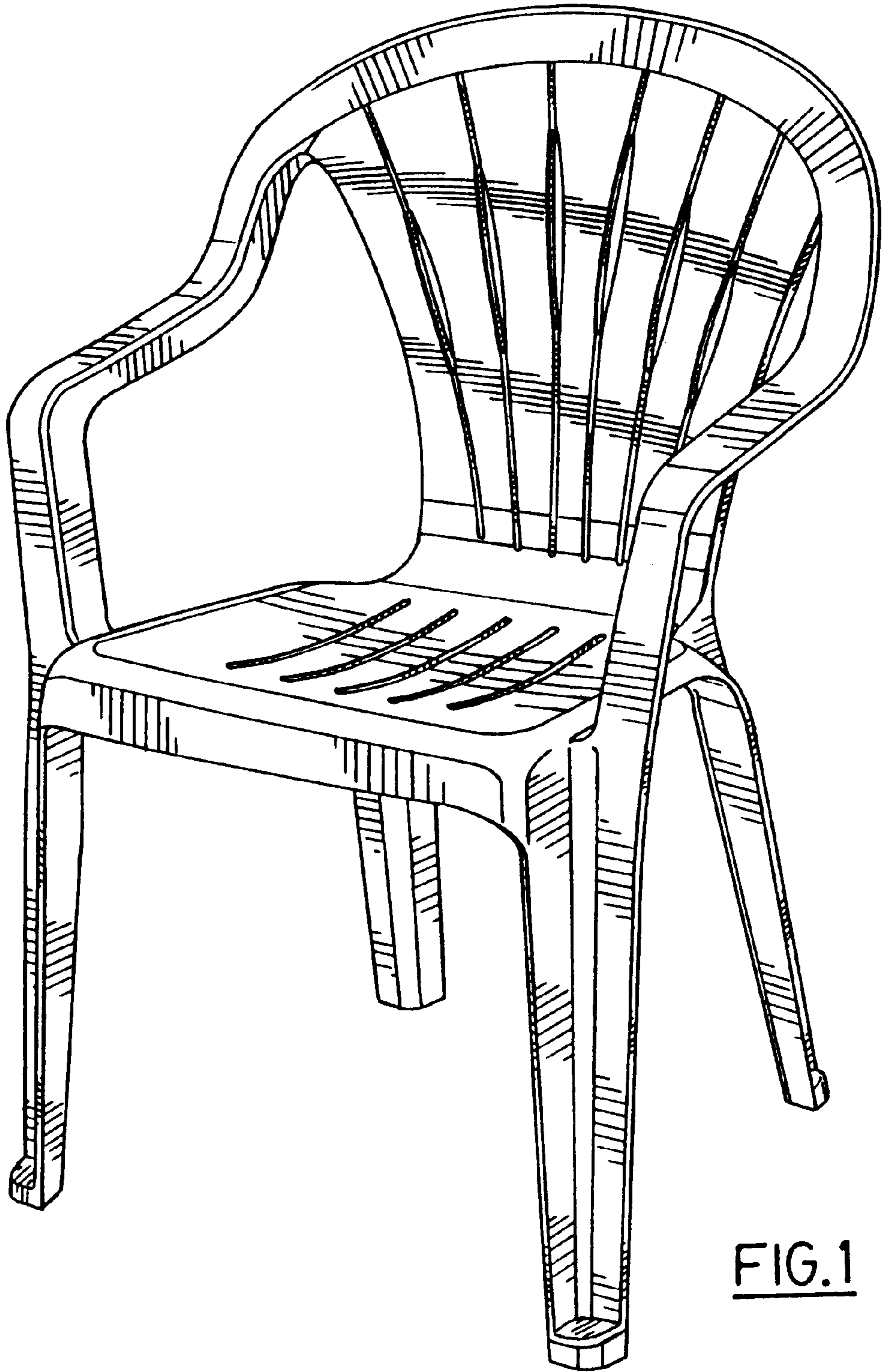


FIG. 1

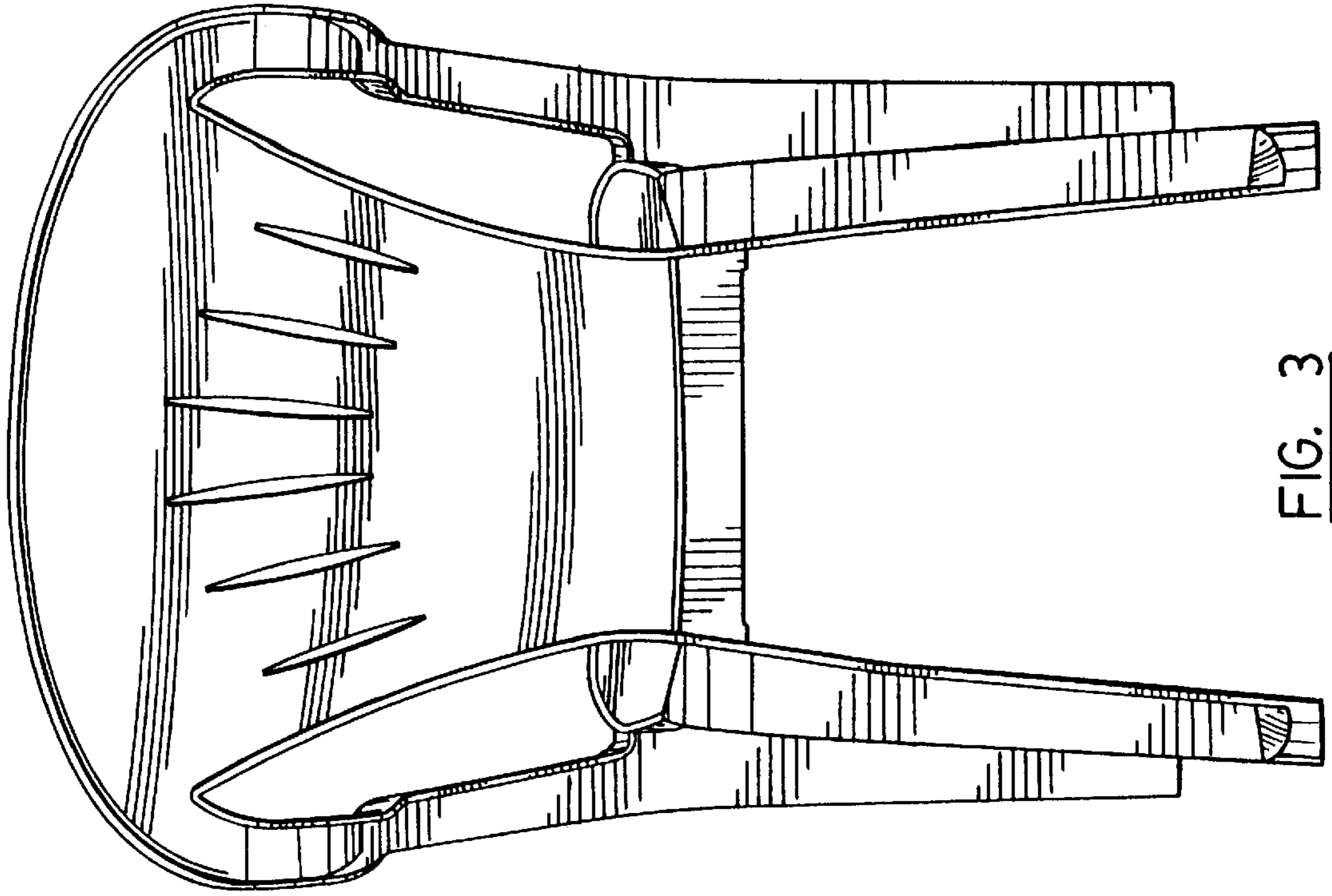


FIG. 3

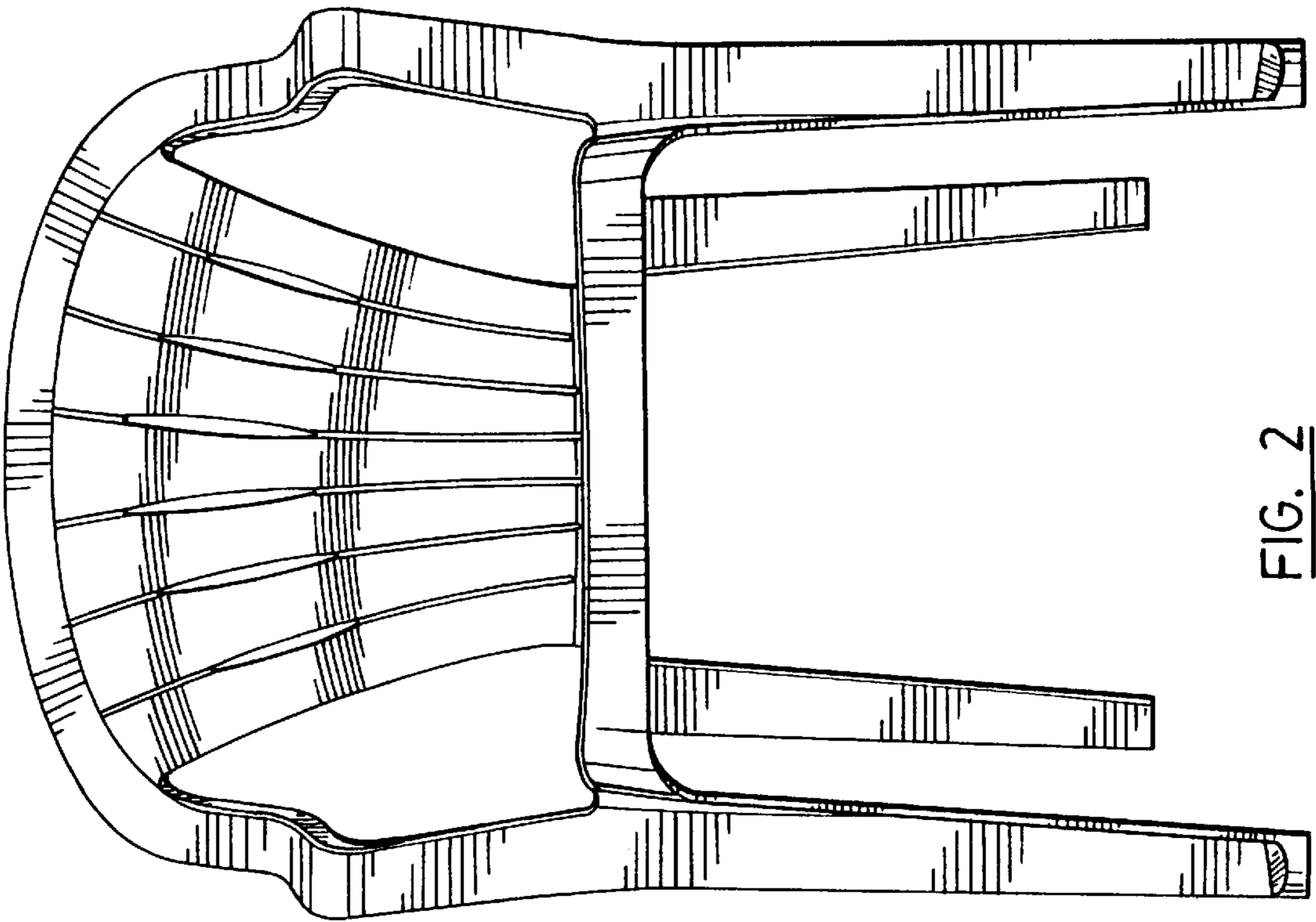


FIG. 2

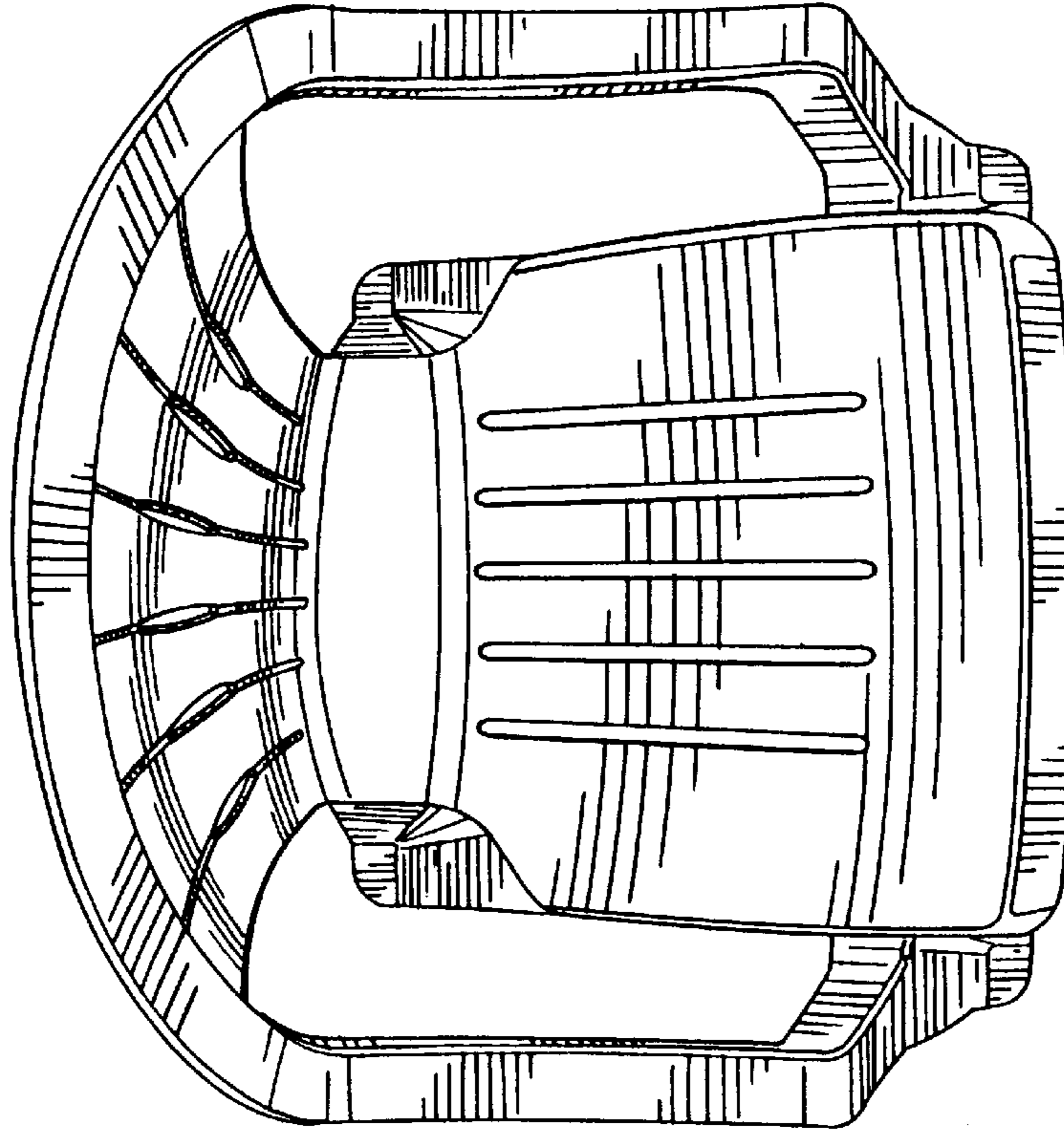


FIG. 5

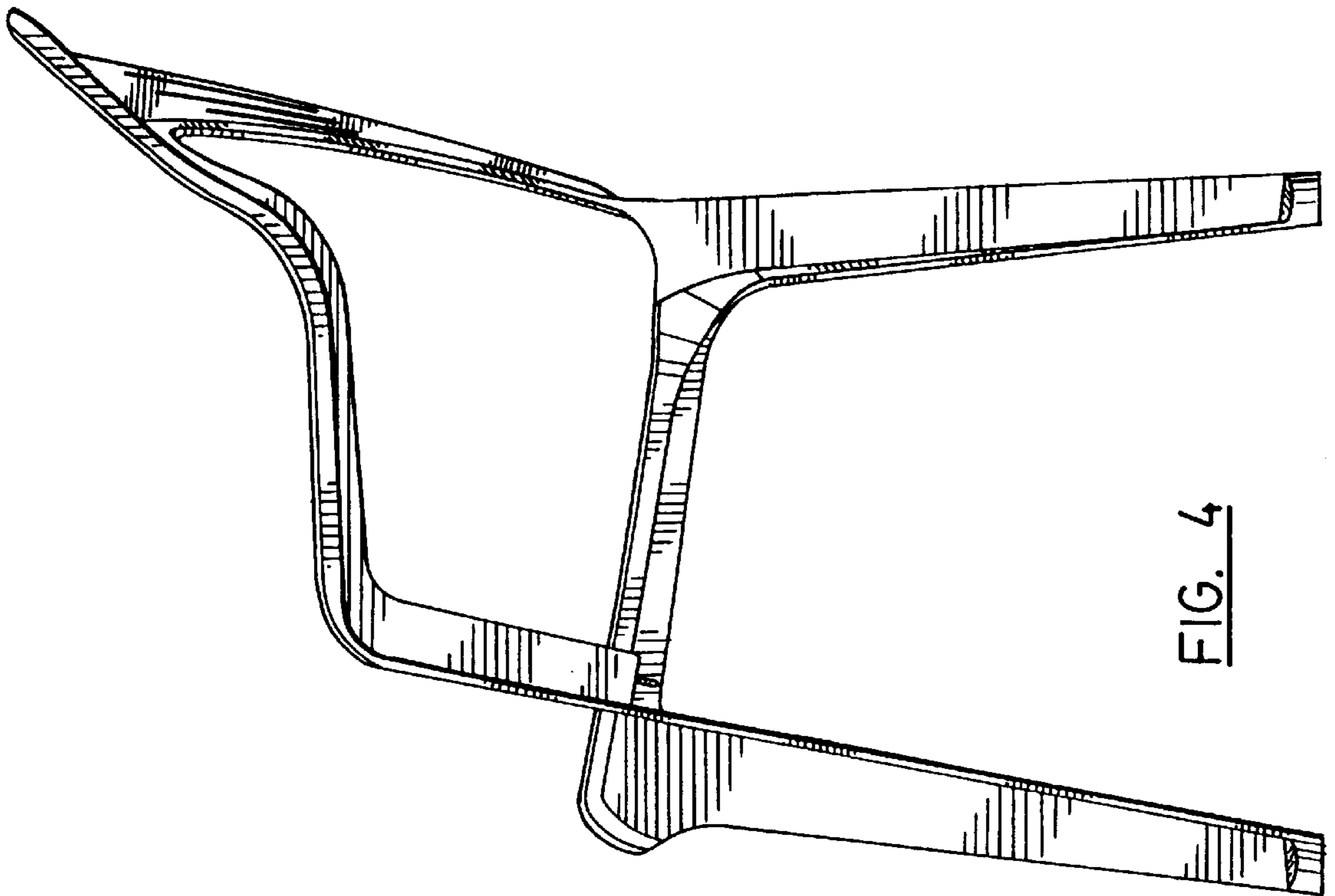


FIG. 4