



US00D415622S

United States Patent [19]
Zaidman

[11] **Patent Number: Des. 415,622**

[45] **Date of Patent: ** Oct. 26, 1999**

[54] **CHAIR**

D. 376,921 12/1996 Chandler D6/334

[75] Inventor: **S. Paul Zaidman**, Winnipeg, Canada

OTHER PUBLICATIONS

[73] Assignee: **Palliser Furniture Ltd.**, Canada

NHFA's CompetitivEdge, p. 114, Recliner at top left, Apr. 1983.

[**] Term: **14 Years**

Marlo advertisement, Recliner shown at bottom right, Sep. 20, 1994.

[21] Appl. No.: **29/075,852**

"La détente à son meilleur", VIA Inc., Decormag Magazine, Oct. 1993.

[22] Filed: **Aug. 29, 1997**

Primary Examiner—Gary D. Watson

Attorney, Agent, or Firm—Michael Best & Friedrich LLP

[30] **Foreign Application Priority Data**

Aug. 26, 1919 [CA] Canada 1997-2208

[57] **CLAIM**

[51] **LOC (6) Cl.** **06-01**

The ornamental design for a chair, as shown and described.

[52] **U.S. Cl.** **D6/334; D6/344; D6/365**

DESCRIPTION

[58] **Field of Search** D6/334, 335, 344,
D6/360, 364, 365, 367, 500, 501, 502;
297/DIG. 7

FIG. 1 is a front perspective view of the design,
FIG. 2 is a rear perspective view of the design of FIG. 1; and,
FIG. 3 is a top view of the design.

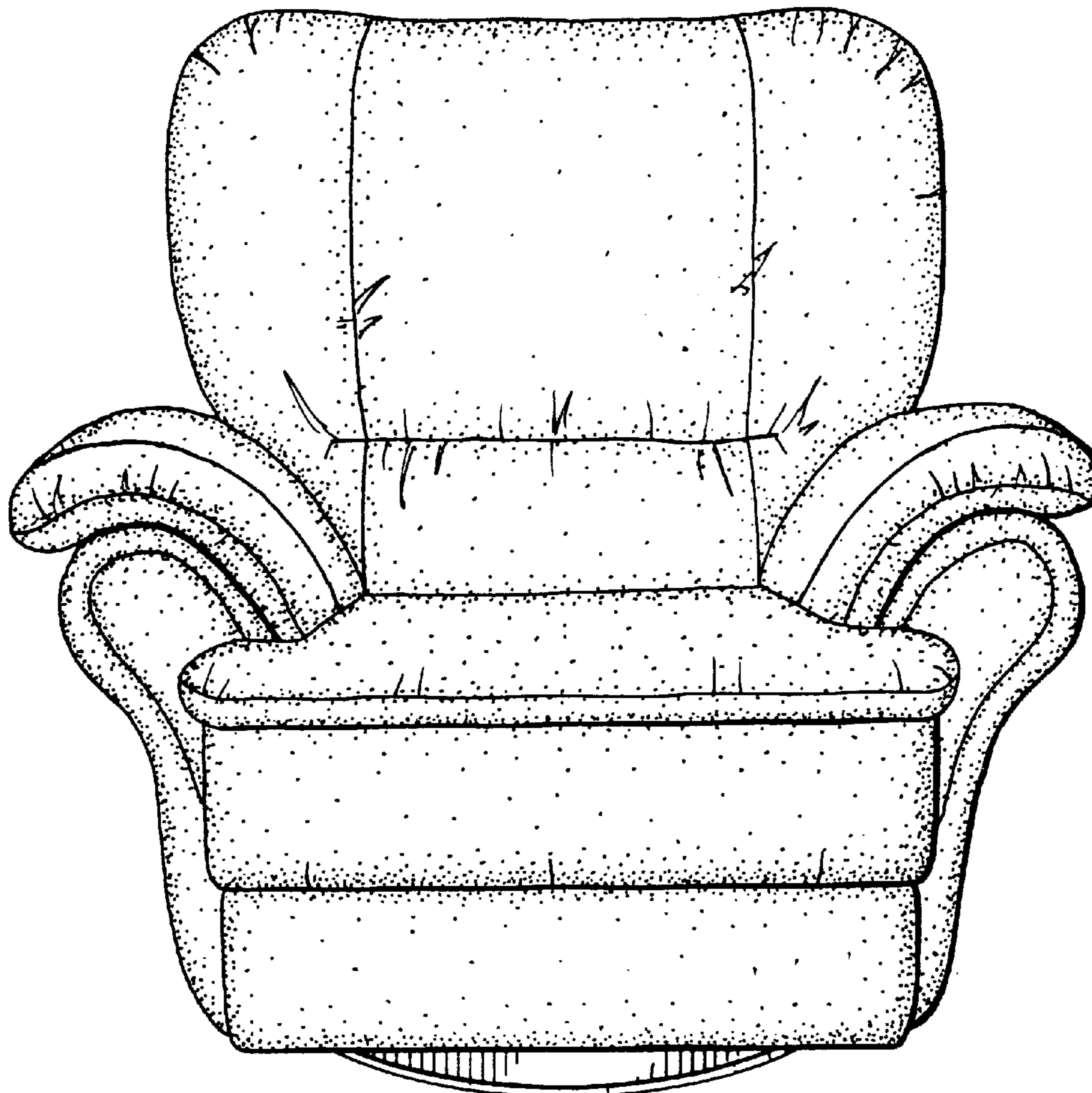
[56] **References Cited**

The side of the chair not seen in FIG. 2 is a mirror image of
the side seen in FIG. 2 with the omission of the adjustment
handle.

U.S. PATENT DOCUMENTS

- D. 235,284 6/1975 Gill D6/334
- D. 253,439 11/1979 Prevost D6/334
- D. 358,505 5/1995 Natuzzi et al. D6/334

1 Claim, 3 Drawing Sheets



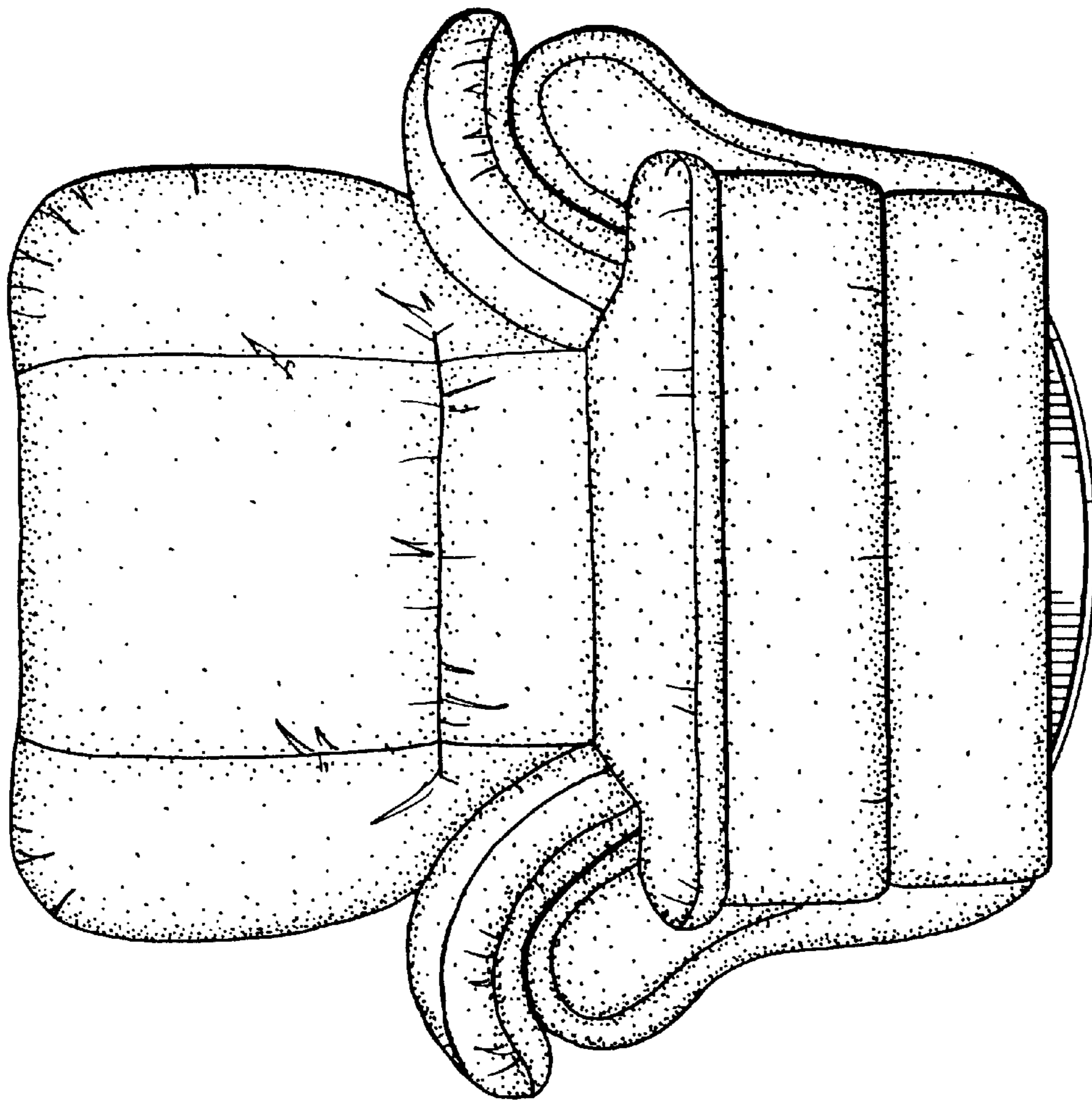


FIG. 1

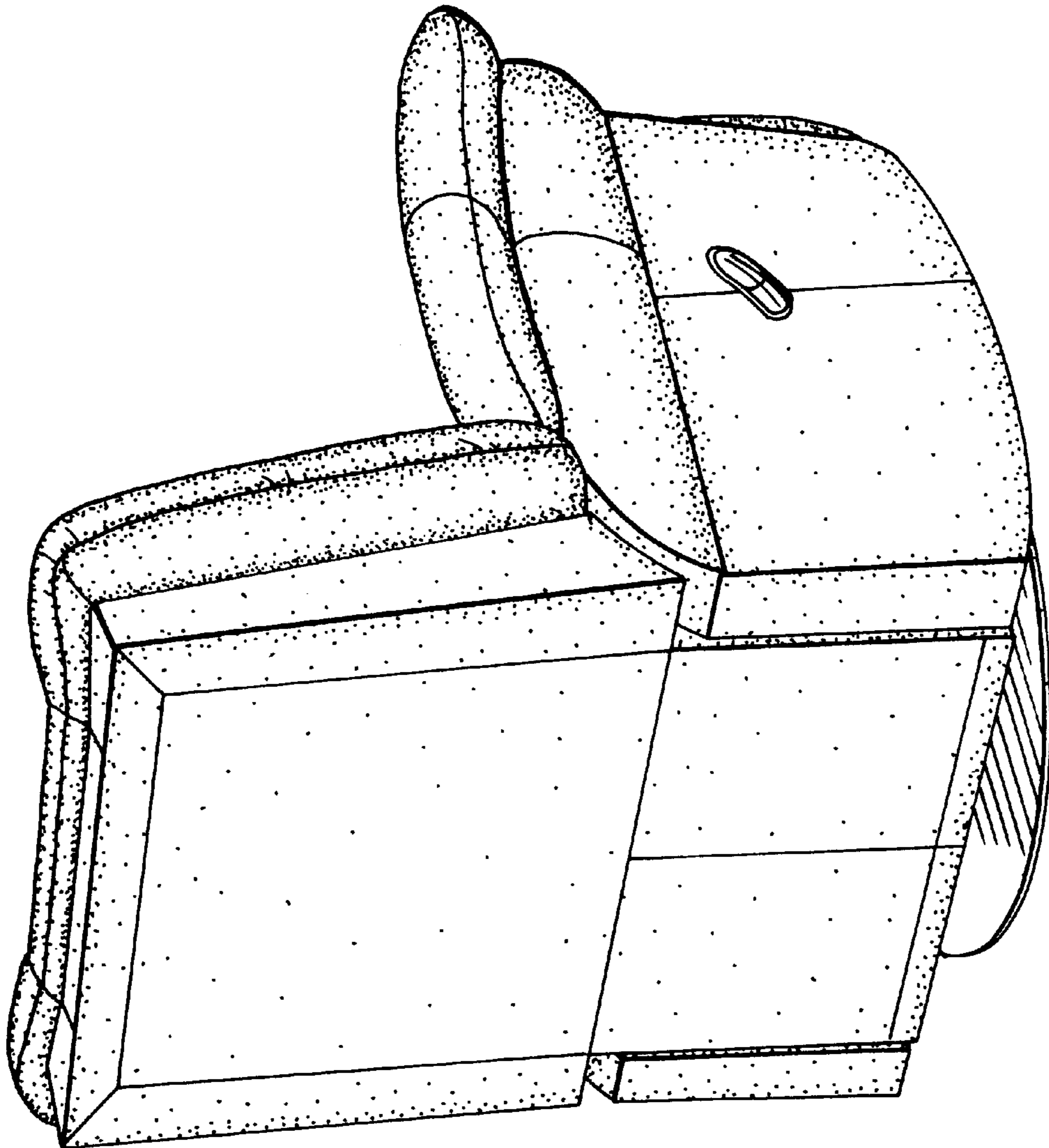


FIG. 2

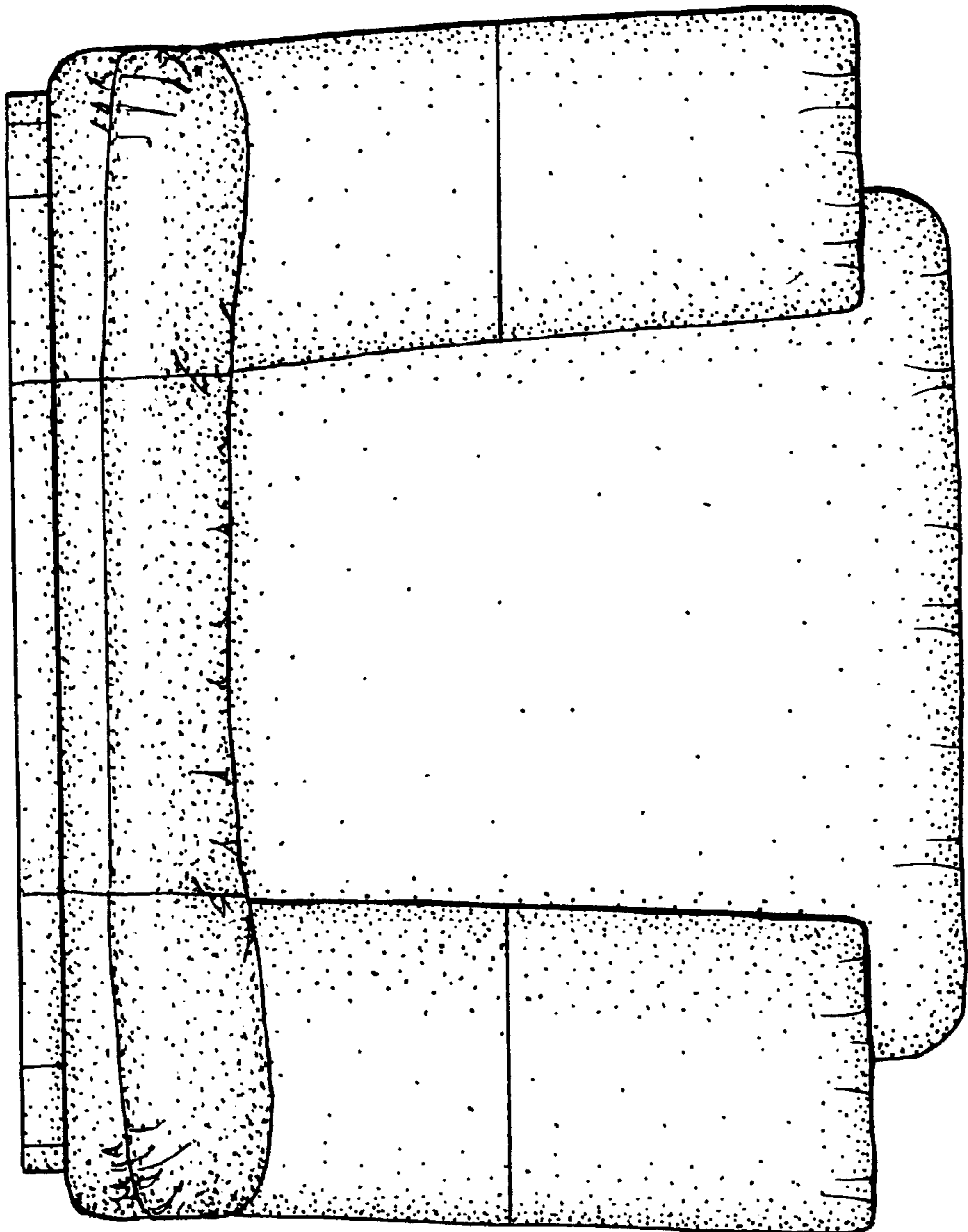


FIG. 3