



US00D415621S

# United States Patent [19] Queen

[11] Patent Number: **Des. 415,621**

[45] Date of Patent: **\*\* Oct. 26, 1999**

[54] **HOME WORSHIP CENTER**

[76] Inventor: **Frankie A. R. Queen**, 221 Three Oaks Dr., Lawrenceville, Ga. 30245

[\*\*] Term: **14 Years**

[21] Appl. No.: **29/081,241**

[22] Filed: **Dec. 2, 1997**

[51] **LOC (6) Cl.** ..... **06-06**

[52] **U.S. Cl.** ..... **D6/330**

[58] **Field of Search** ..... D6/330, 336, 338; D99/25; 297/423.11, 423.12, 423.21

[56] **References Cited**

**U.S. PATENT DOCUMENTS**

D. 38,277	10/1906	Brielmaier	.....	D6/330
D. 43,176	10/1912	Hoppmann	.....	D6/330
D. 116,354	8/1939	Wojtalewicz	.....	D6/330
D. 147,503	9/1947	Math	.....	D6/330
D. 160,873	11/1950	Maguolo	.....	D6/330
D. 172,074	5/1954	Baker et al.	.....	D6/330

D. 177,736	5/1956	Kennell	.....	D6/330
D. 199,190	9/1964	Berg	.....	D99/25
2,101,259	12/1937	Landau	.....	D6/330

*Primary Examiner*—Doris V. Coles  
*Assistant Examiner*—Mimosa De  
*Attorney, Agent, or Firm*—Thomas, Kayden, Horstemeyer & Risley

[57] **CLAIM**

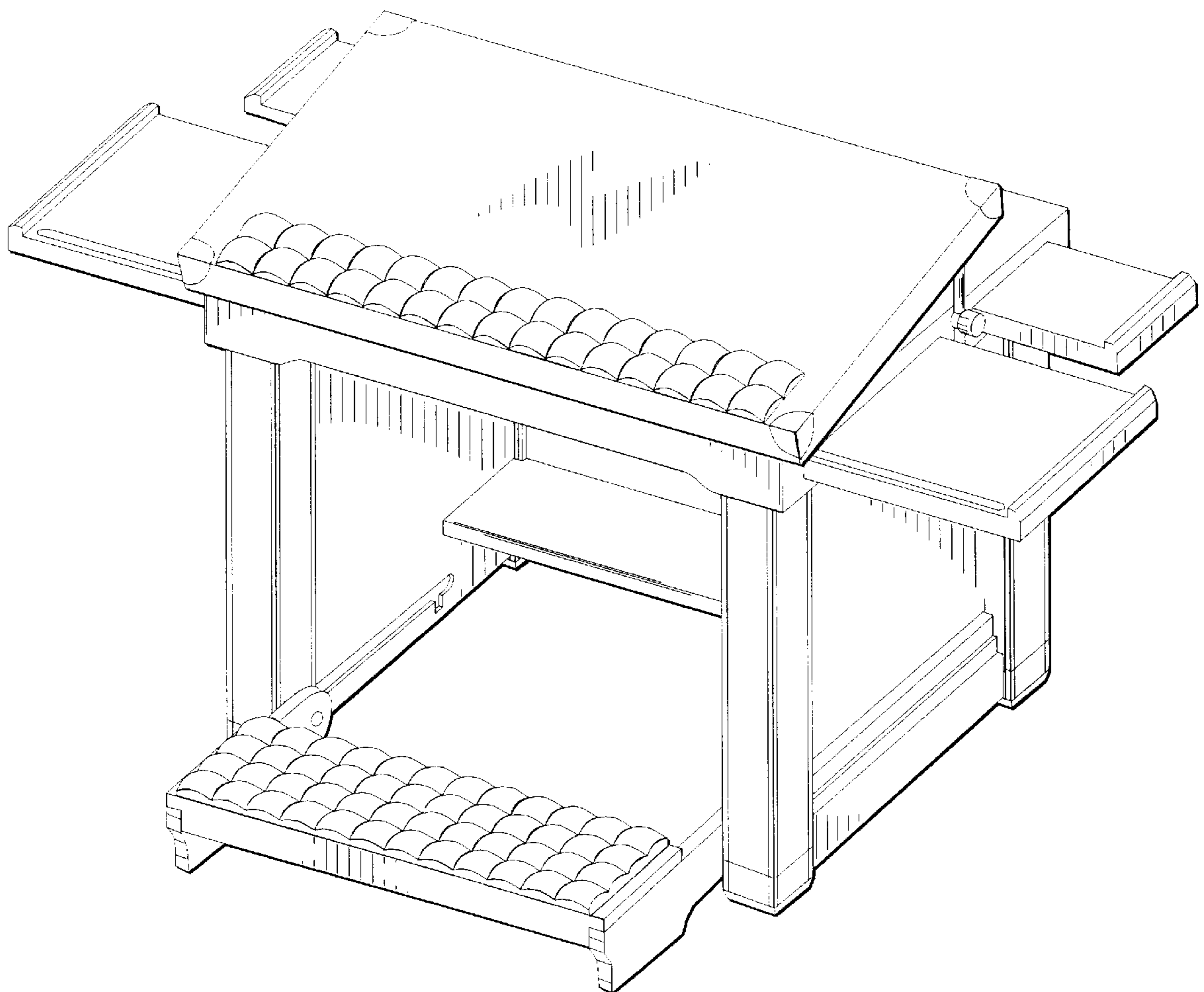
The ornamental design for the home worship center, as shown and described.

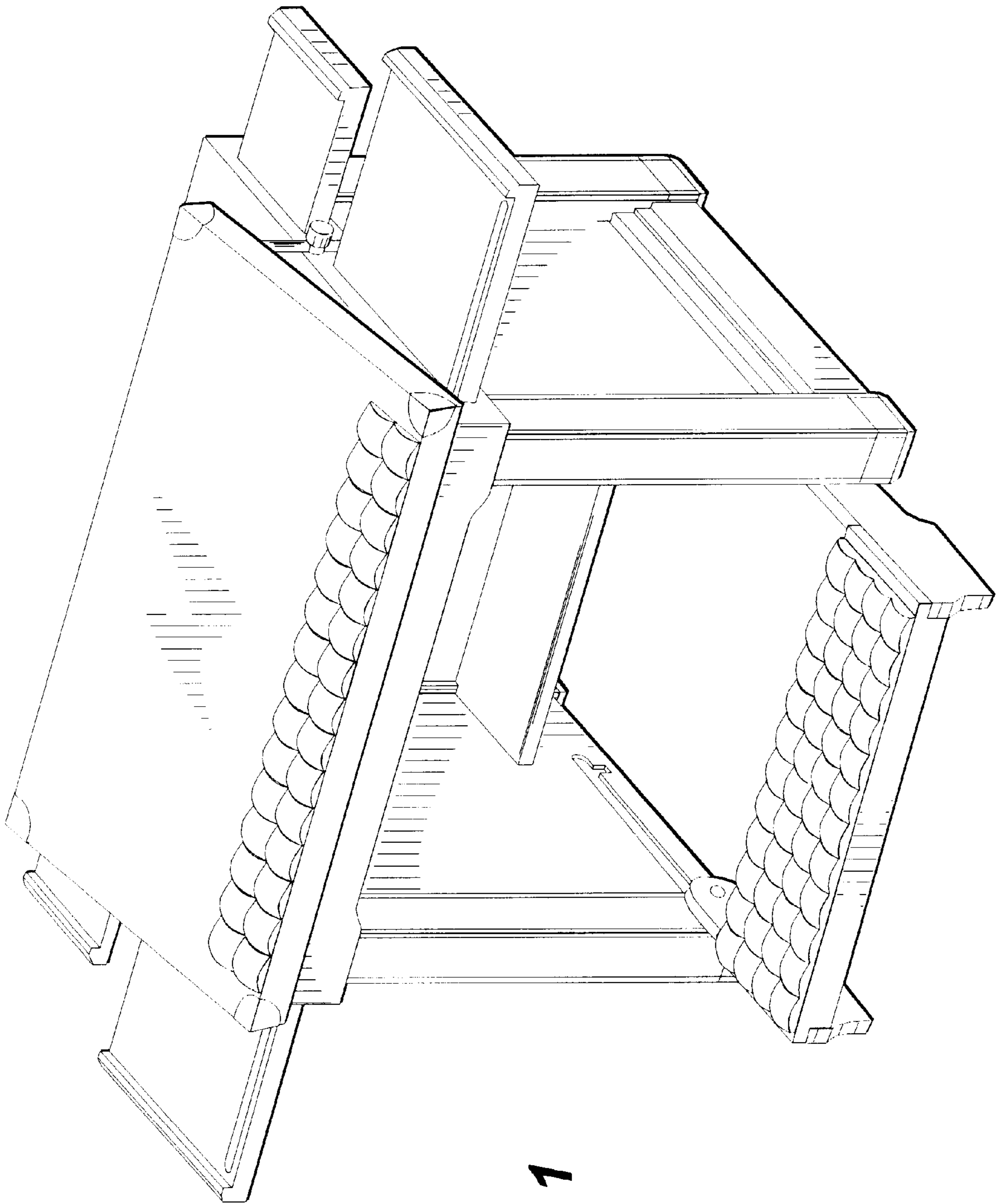
**DESCRIPTION**

FIG. 1 is a perspective illustration of the home worship center, showing the front, top and right side thereof; FIG. 2 is a front elevational view thereof; FIG. 3 is a right side elevational view thereof; FIG. 4 is a rear elevational view thereof; FIG. 5 is a left side elevational view thereof; and, FIG. 6 is a plan view thereof.

The bottom view forms no part of the claimed design.

**1 Claim, 4 Drawing Sheets**





**FIG. 1**

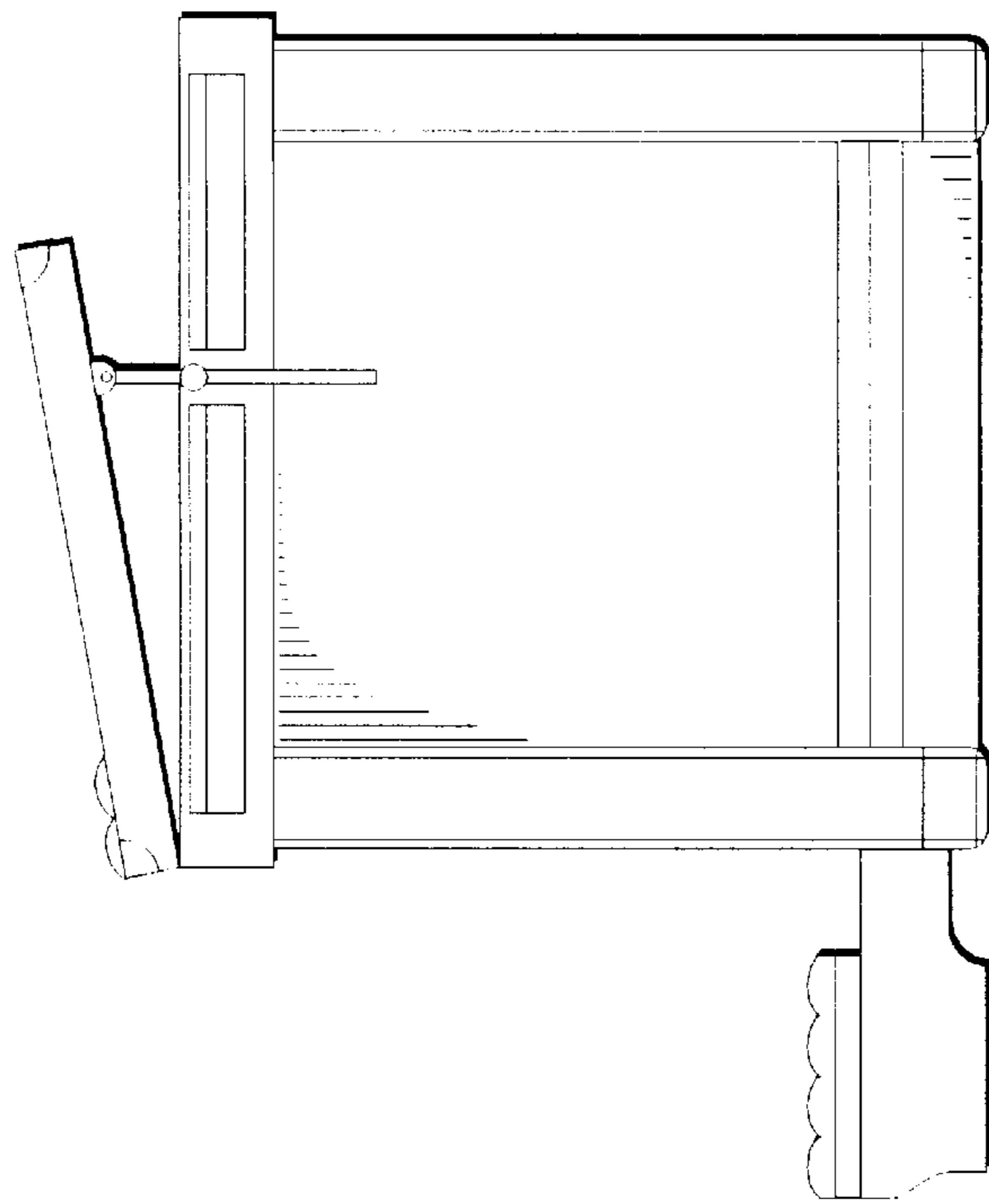


FIG. 3

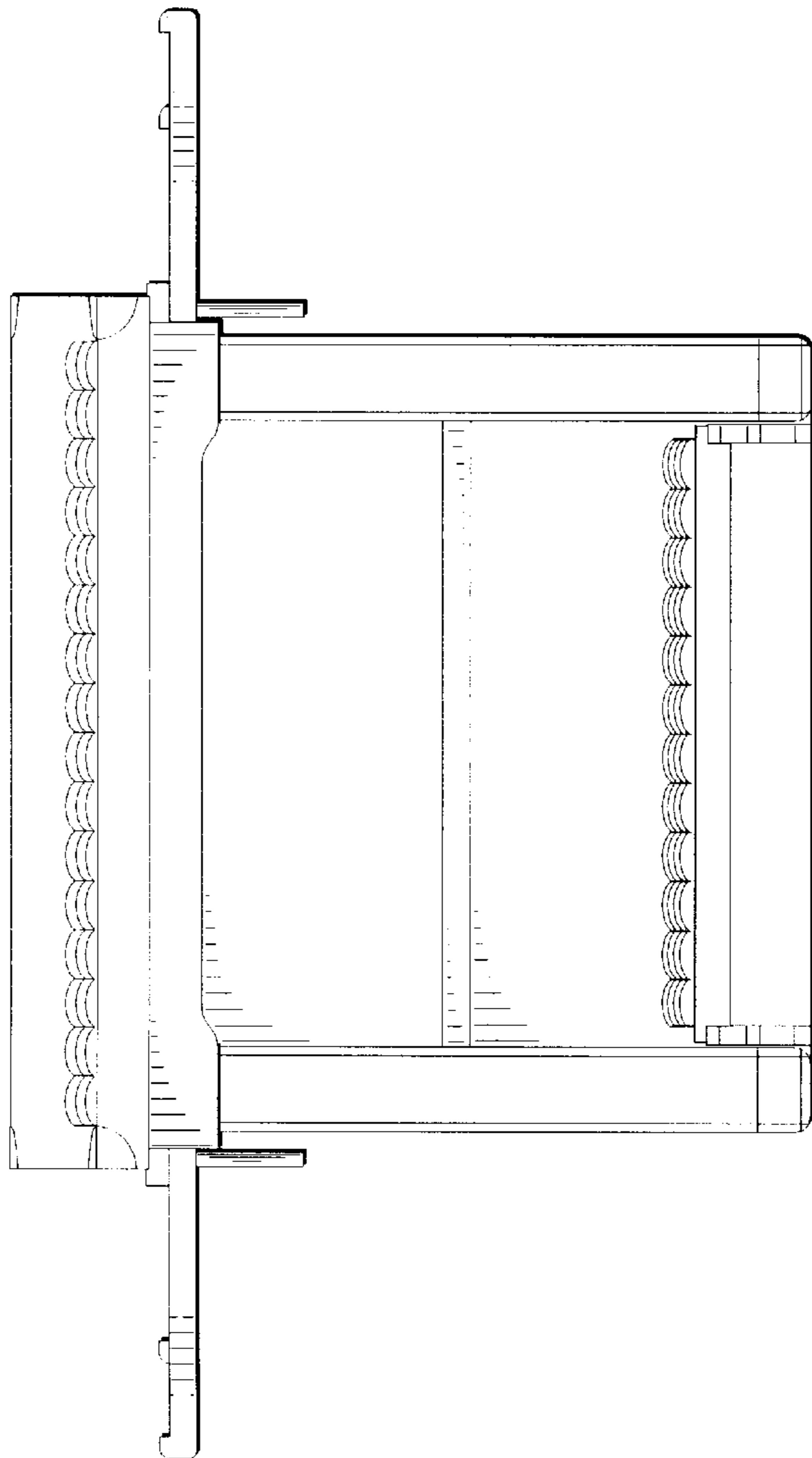


FIG. 2

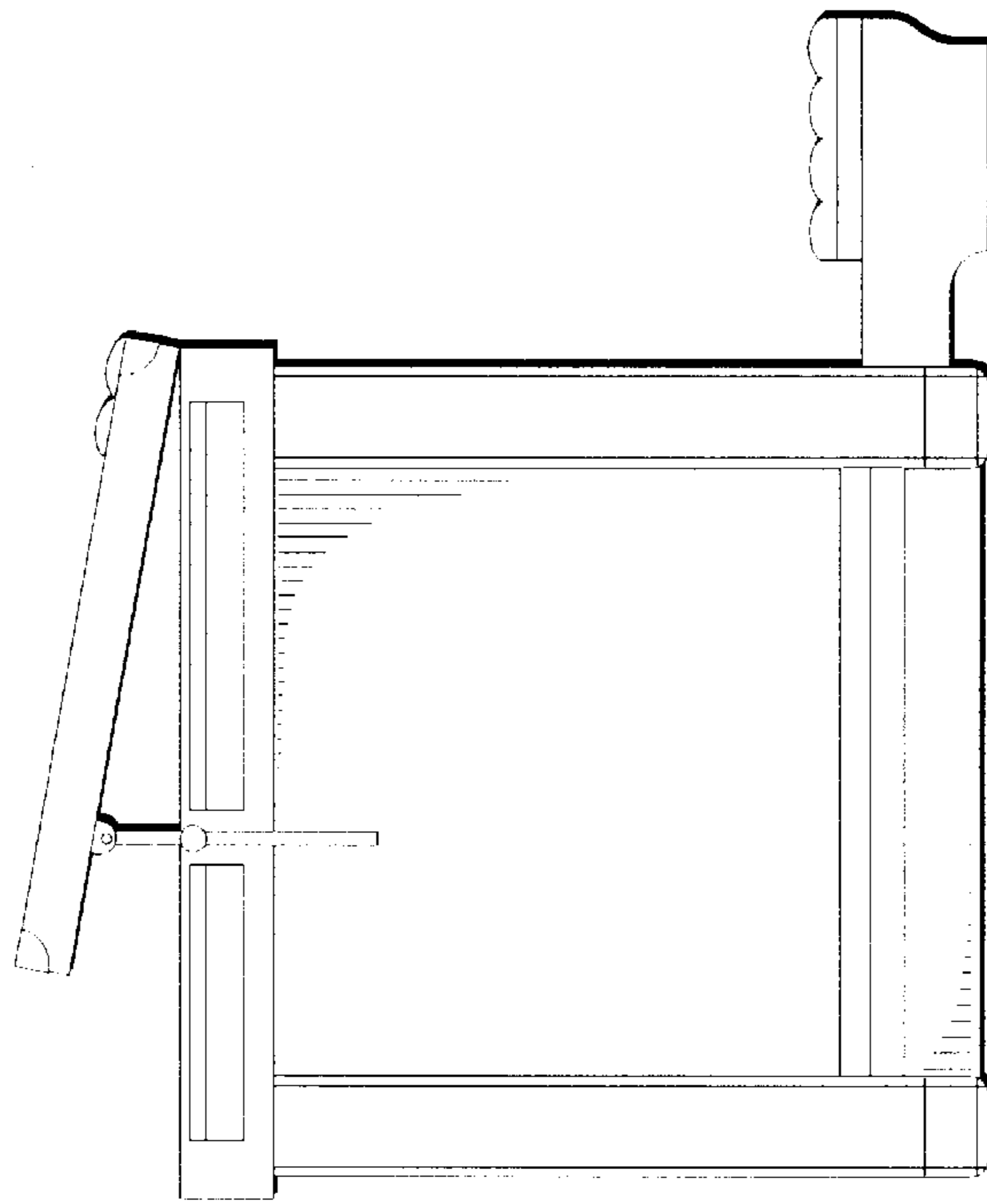


FIG. 5

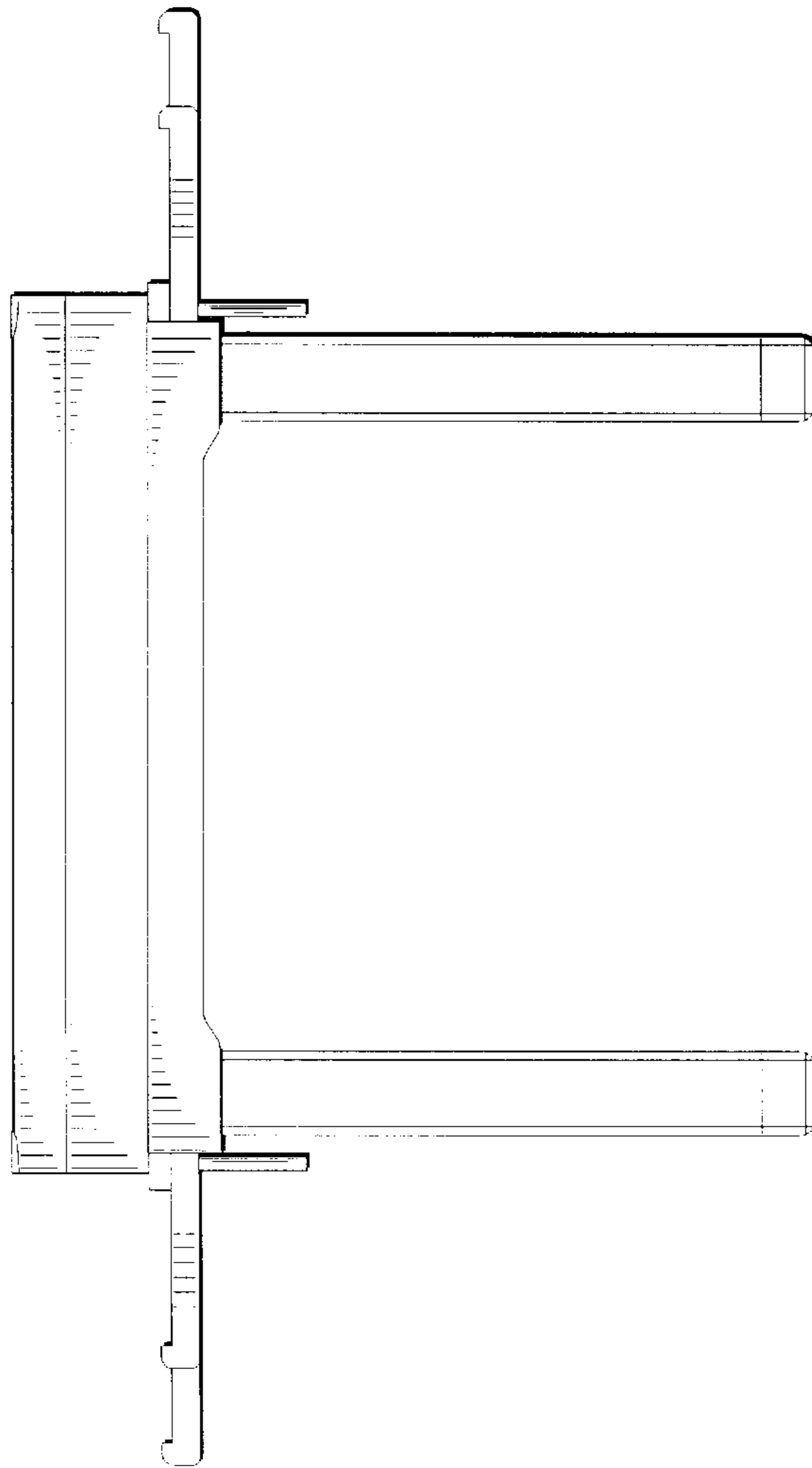
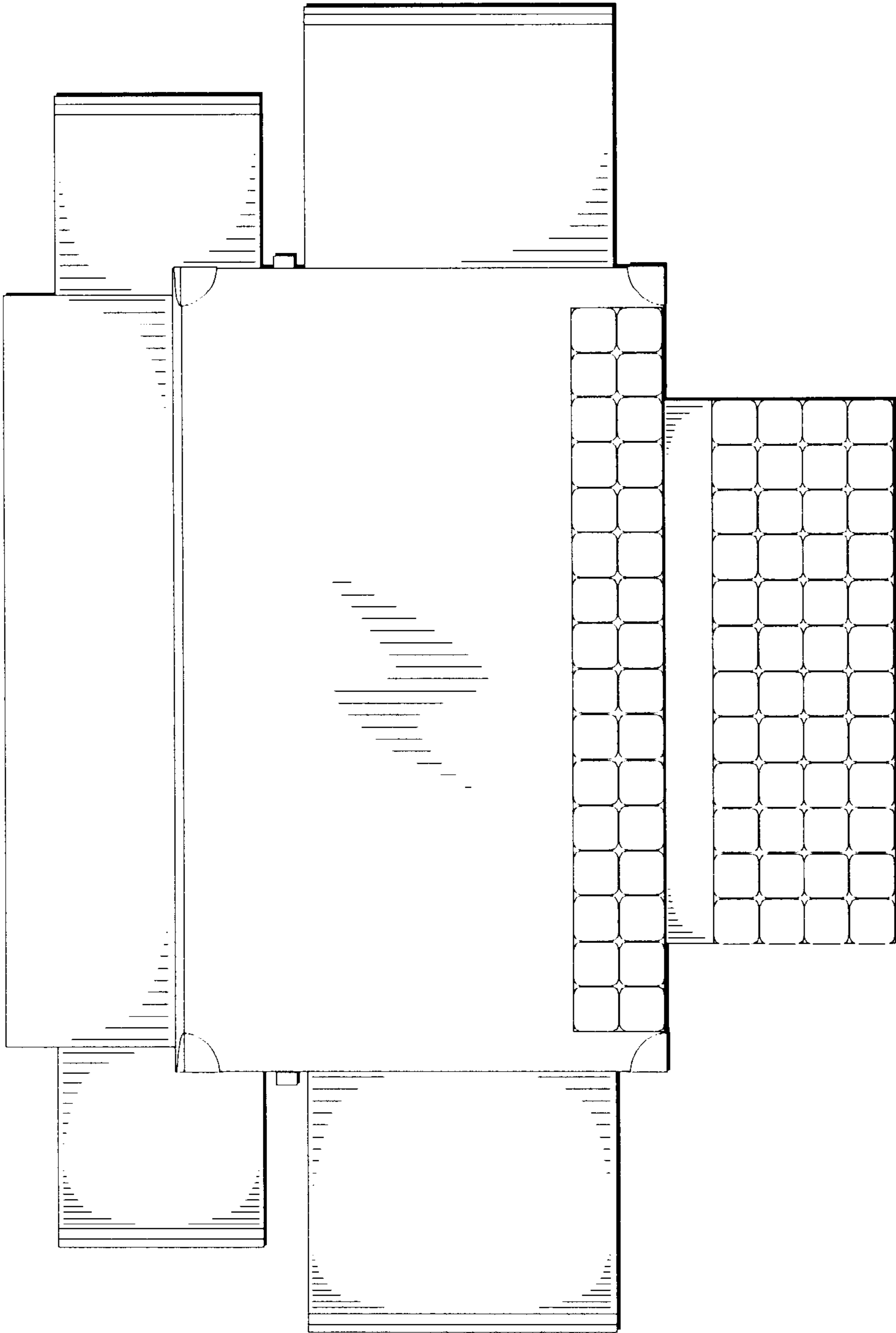


FIG. 4



**FIG. 6**