



US00D415617S

**United States Patent** [19]  
**Johnson**

[11] **Patent Number: Des. 415,617**

[45] **Date of Patent: \*\* Oct. 26, 1999**

[54] **DECORATIVE FRAME**

[76] Inventor: **J. Keith Johnson**, 52 E. Broadway,  
Gettysburg, Pa. 17325

[\*\*] Term: **14 Years**

[21] Appl. No.: **29/095,618**

[22] Filed: **Oct. 27, 1998**

[51] **LOC (6) Cl. .... 06-07**

[52] **U.S. Cl. .... D6/300**

[58] **Field of Search** ..... D6/300-314; D20/29,  
D20/30, 23-25; D11/133; 40/700, 711,  
721, 722, 724, 734, 735, 738, 765, 790,  
798, 800

[56] **References Cited**

**U.S. PATENT DOCUMENTS**

- D. 21,665 6/1892 Hummel, Jr. .
- D. 23,451 7/1894 Neal et al. .
- D. 26,276 11/1896 Stein .
- D. 29,285 8/1898 Ridgway .
- D. 37,457 6/1905 Cooper .
- D. 38,510 4/1907 Bilek .
- D. 48,709 3/1916 Conway .
- D. 51,941 4/1918 Tondl .
- D. 52,233 7/1918 Balistreri .
- D. 56,205 8/1920 Strong .
- D. 56,206 8/1920 Strong .
- D. 82,842 7/1930 Maggio .
- D. 111,960 11/1938 De Rauf ..... D6/300
- D. 135,034 2/1943 Corwin et al. .
- D. 136,839 9/1943 Schmidhofer .
- D. 144,304 8/1946 Fisher ..... D29/20
- D. 144,437 10/1946 Ylitalo ..... D29/20
- D. 149,944 5/1948 Huffman ..... D29/20
- D. 199,492 11/1964 Kindlund et al. .... D29/20
- D. 362,122 9/1995 Kong ..... D6/300

**OTHER PUBLICATIONS**

The Mirror Book, by H. Schiffer, c1983, p. 149, #369 mirror  
at bottom left.

The Mirror Book, by H. Schiffer, c1983, p. 164, #417 mirror  
at top left.

The Mirror Book, by H. Schiffer, c1983, p. 152, #378 mirror  
at top right.

English Furniture From Gothic to Sheraton, by Herbert  
Cescinsky (published by Bonanza Books, New York) pp.  
198 and 360.

American Antique Furniture, by Edgar G. Miller, Jr., vol.  
Two (published by Dover Publications, Inc.) New York,  
New York), p. 630.

The Mirror Book, English American & European, by Her-  
bert F. Schiffer (published by Schiffer Publishing Limited,  
Exton, Penn. 19341), (11 pages total).

Furniture Treasury, vols. I and II in One, Unabridged, by  
Wallace Nutting, (The Macmillan Co., New York, New  
York, Tenth Printing 1972), picture Nos. 2843-2876.

American Furniture, Queen Anne and Chippendale Periods  
in the Henry Francis duPont Winterthur Museum, by Joseph  
Downs (The Viking Press, New York 1967), item Nos. 244  
& 245.

American Furniture, A Complete Guide to Seventeenth,  
Eighteenth, and Early Nineteenth Century Style, by Helen  
Comstock (The Macmillan Co. of Canada, Ltd. 1962), item  
Nos. 340-344.

*Primary Examiner*—Janice E. Seeger  
*Attorney, Agent, or Firm*—Antonelli, Terry, Stout & Kraus,  
LLP

[57] **CLAIM**

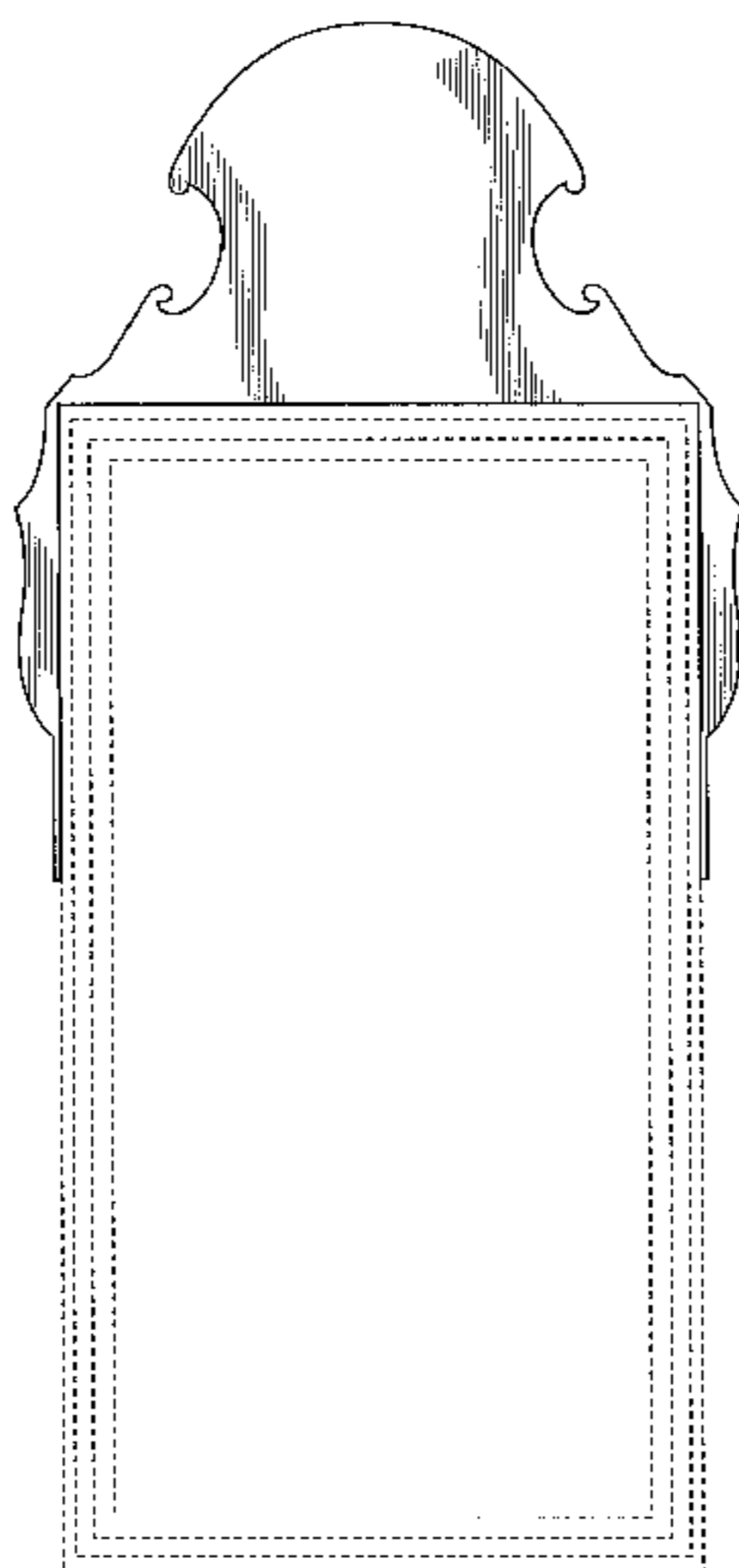
The ornamental design for a decorative frame, as shown and  
described.

**DESCRIPTION**

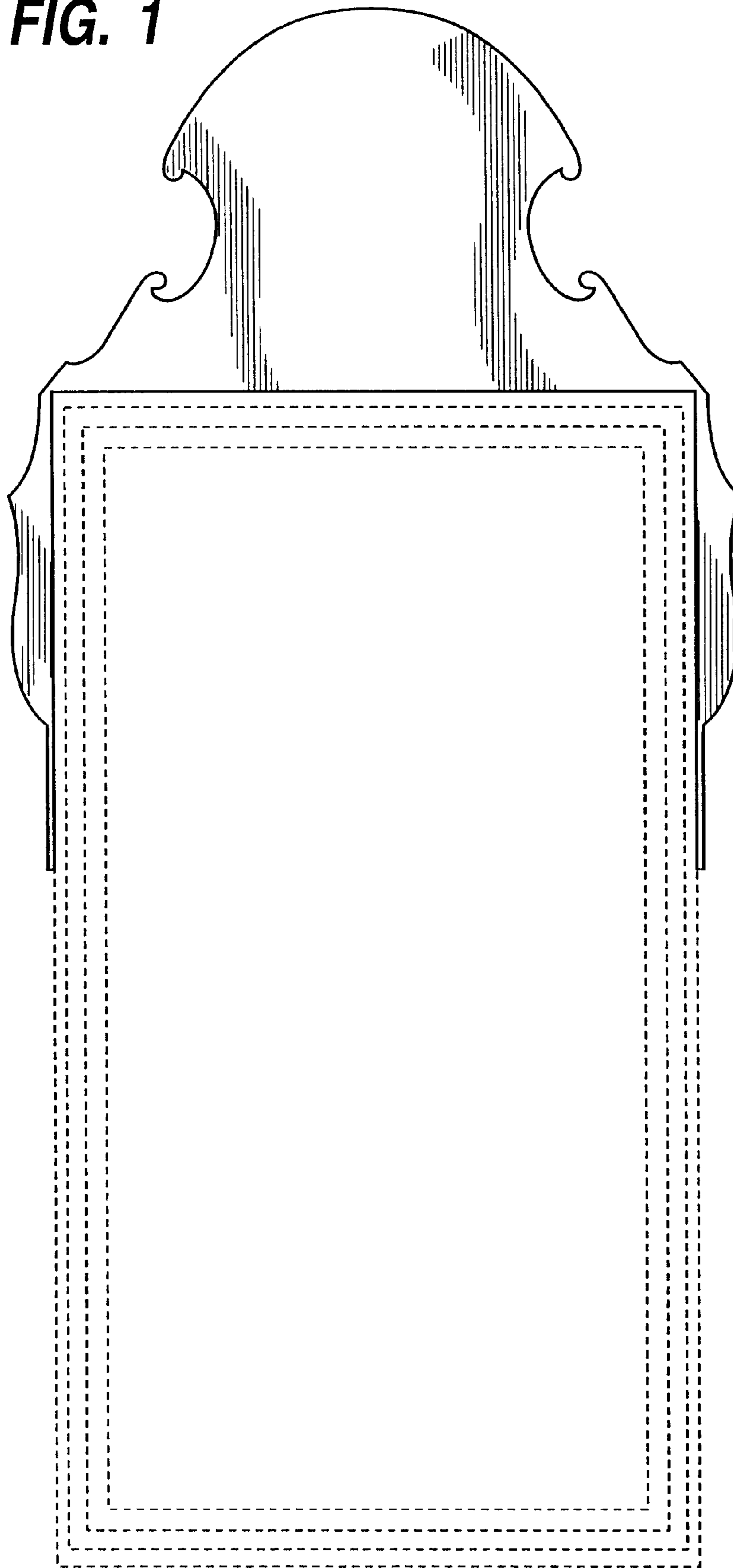
- FIG. 1 is a front view of the invention;
- FIG. 2 is a rear view of the invention;
- FIG. 3 is a top view of the invention;
- FIG. 4 is a bottom view of the invention;
- FIG. 5 is a left side view of the invention; and,
- FIG. 6 is a right side view of the invention.

Unclaimed subject matter is shown in dotted line format.

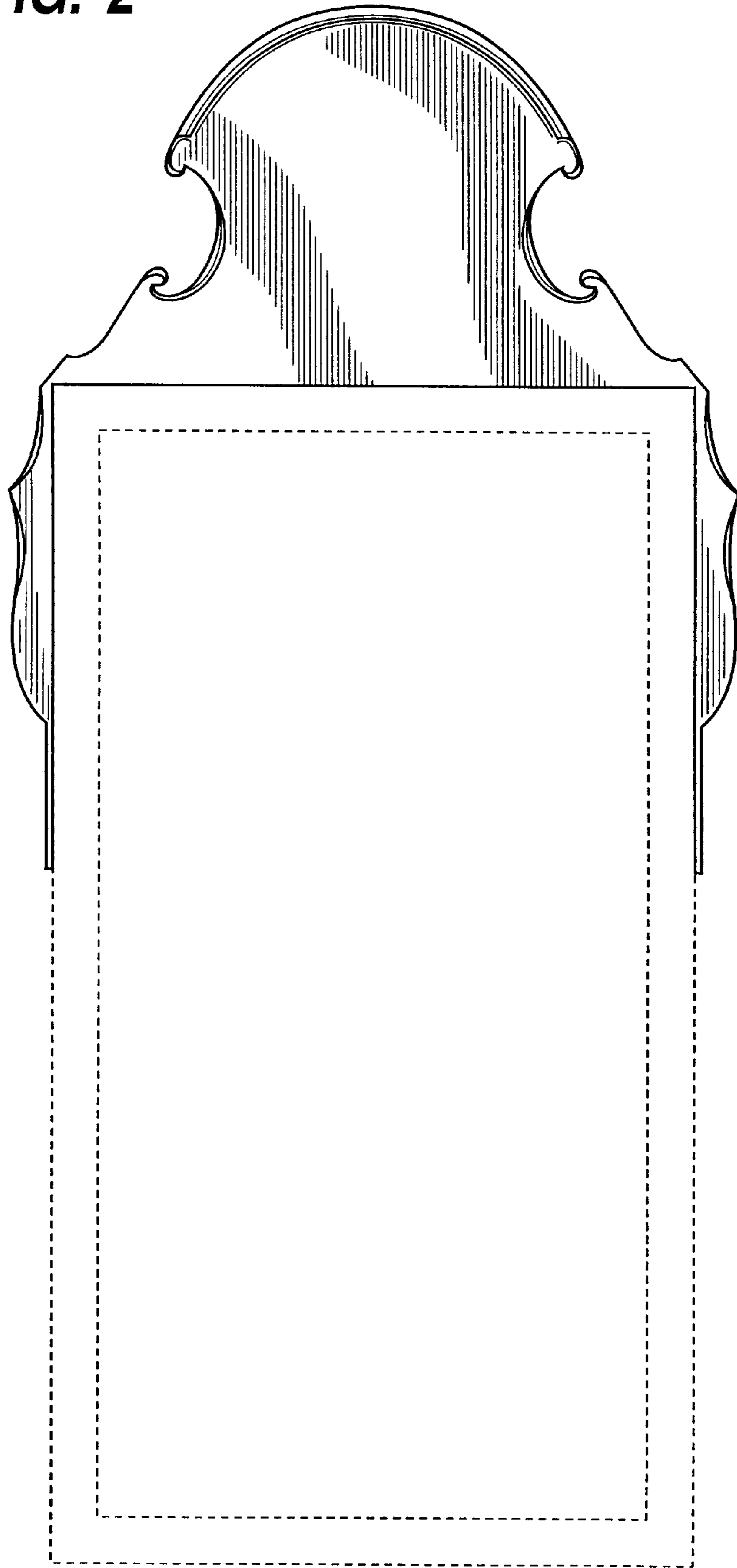
**1 Claim, 4 Drawing Sheets**



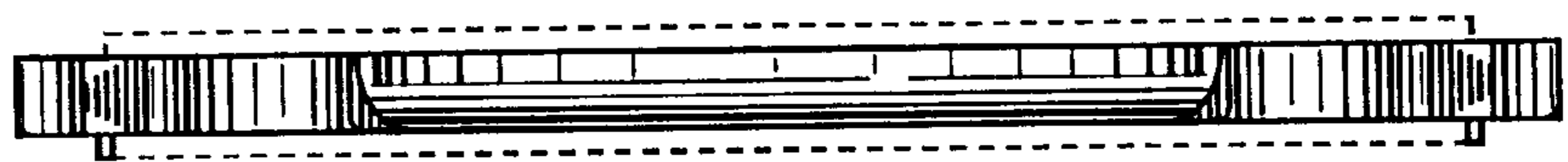
**FIG. 1**



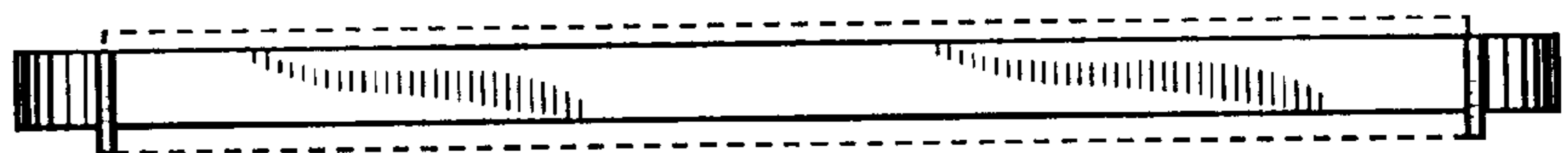
**FIG. 2**



**FIG. 3**



**FIG. 4**



**FIG. 5**



**FIG. 6**

