



US00D415611S

United States Patent [19]

[11] **Patent Number: Des. 415,611**

Doster

[45] **Date of Patent: ** Oct. 26, 1999**

[54] **UMBRELLA HANDLE**

Attorney, Agent, or Firm—Clifton T. Hunt

[76] Inventor: **Thomas R. Doster**, P.O. Box 2136,
Matthews, N.C. 28106

[57] **CLAIM**

[**] Term: **14 Years**

The ornamental design for an umbrella handle, as described and shown in the drawings.

[21] Appl. No.: **29/097,104**

DESCRIPTION

[22] Filed: **Nov. 30, 1998**

FIG. 1 is a side elevation of the umbrella handle;

[51] **LOC (6) Cl.** **03-04**

FIG. 2 is a front elevation of the umbrella handle shown in FIG. 1;

[52] **U.S. Cl.** **D3/12**

[58] **Field of Search** D3/5, 6, 7, 8,
D3/12, 16; D8/300, 313; 135/15.1, 16,
25.4, 25.41, 72

FIG. 3 is a top plan view of the umbrella handle shown in FIG. 1;

[56] **References Cited**

FIG. 4 is a bottom plan view of the umbrella handle shown in FIG. 1;

U.S. PATENT DOCUMENTS

D. 312,348 11/1990 Cain D3/12
D. 339,468 9/1993 Mertz D3/16
5,609,175 3/1997 Gerry et al. 135/16

FIG. 5 is an enlarged sectional view taken along the line 5—5 in FIG. 3;

OTHER PUBLICATIONS

Fashion Accessories Magazine, Umbrellas, p. 32, Feb. 1978,
Apr. 7, 1999.

FIG. 6 is a side elevation view of the umbrella handle shown in use; and,

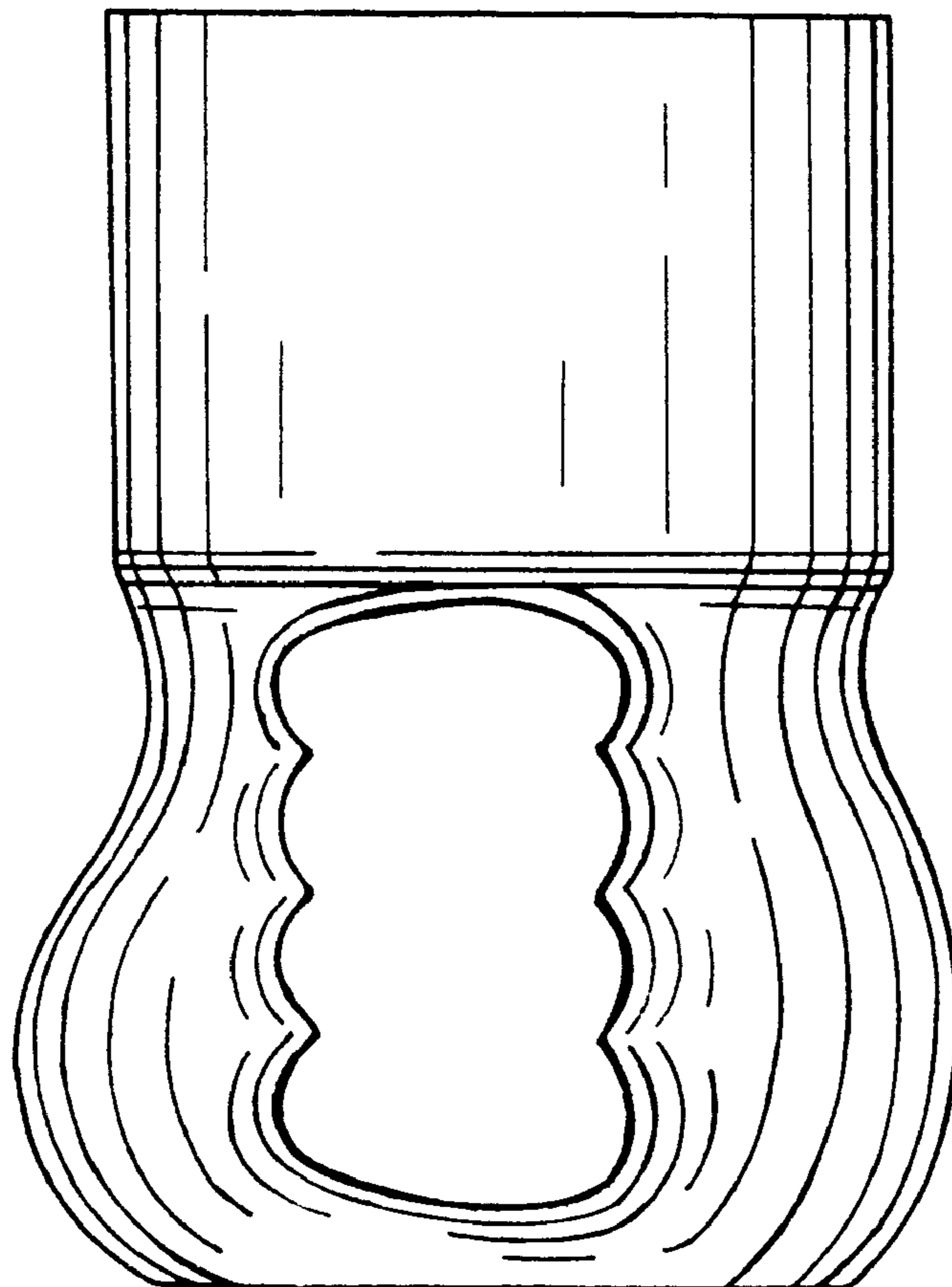
FIG. 7 is a side view of the umbrella handle shown in use.

The broken line showing of environment in FIGS. 6 and 7 is for illustrative purposes only and forms no part of the claimed design.

Primary Examiner—Louis S. Zarfes

Assistant Examiner—Catherine R. Oliver

1 Claim, 2 Drawing Sheets



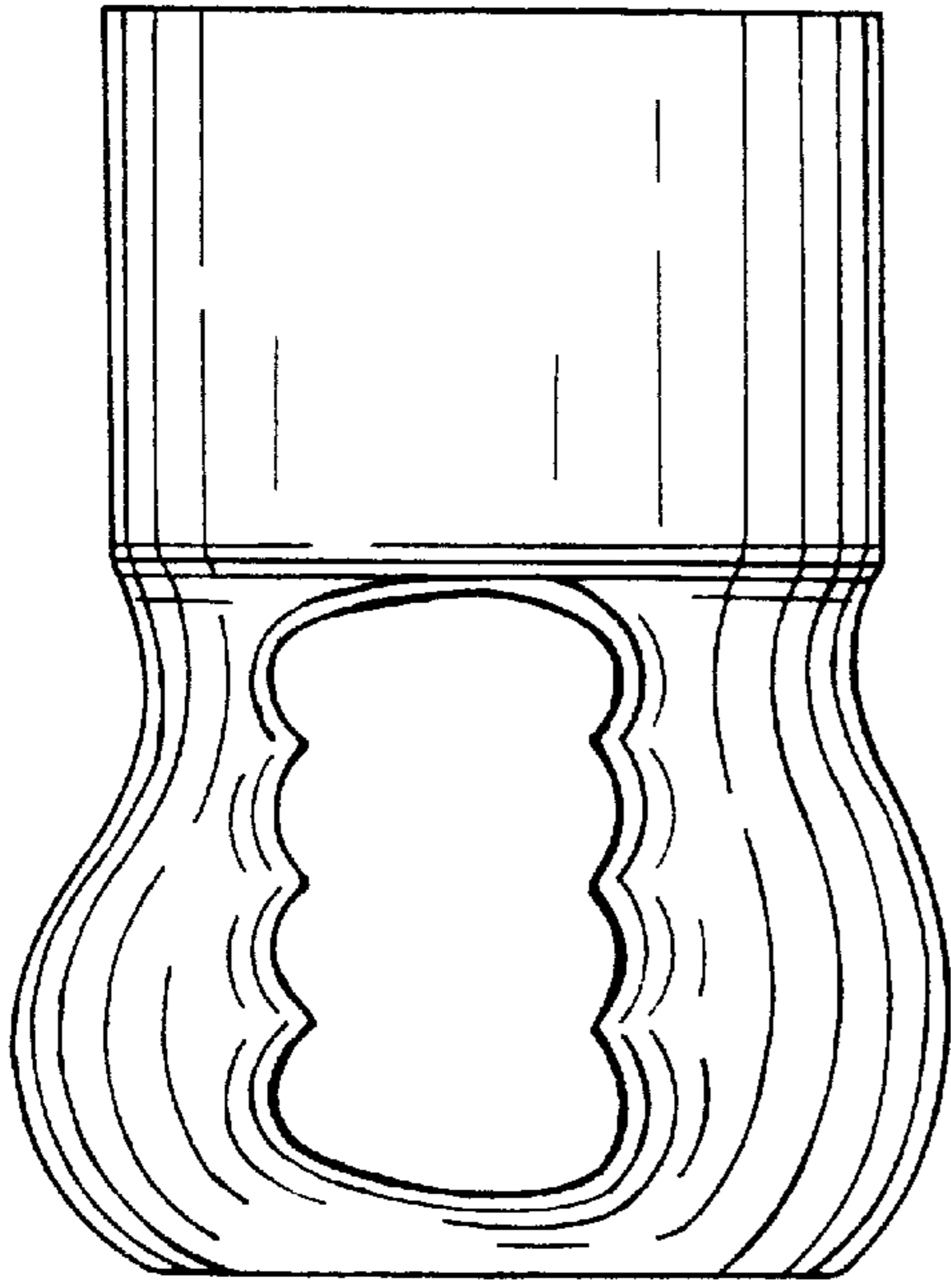


FIG. 1.

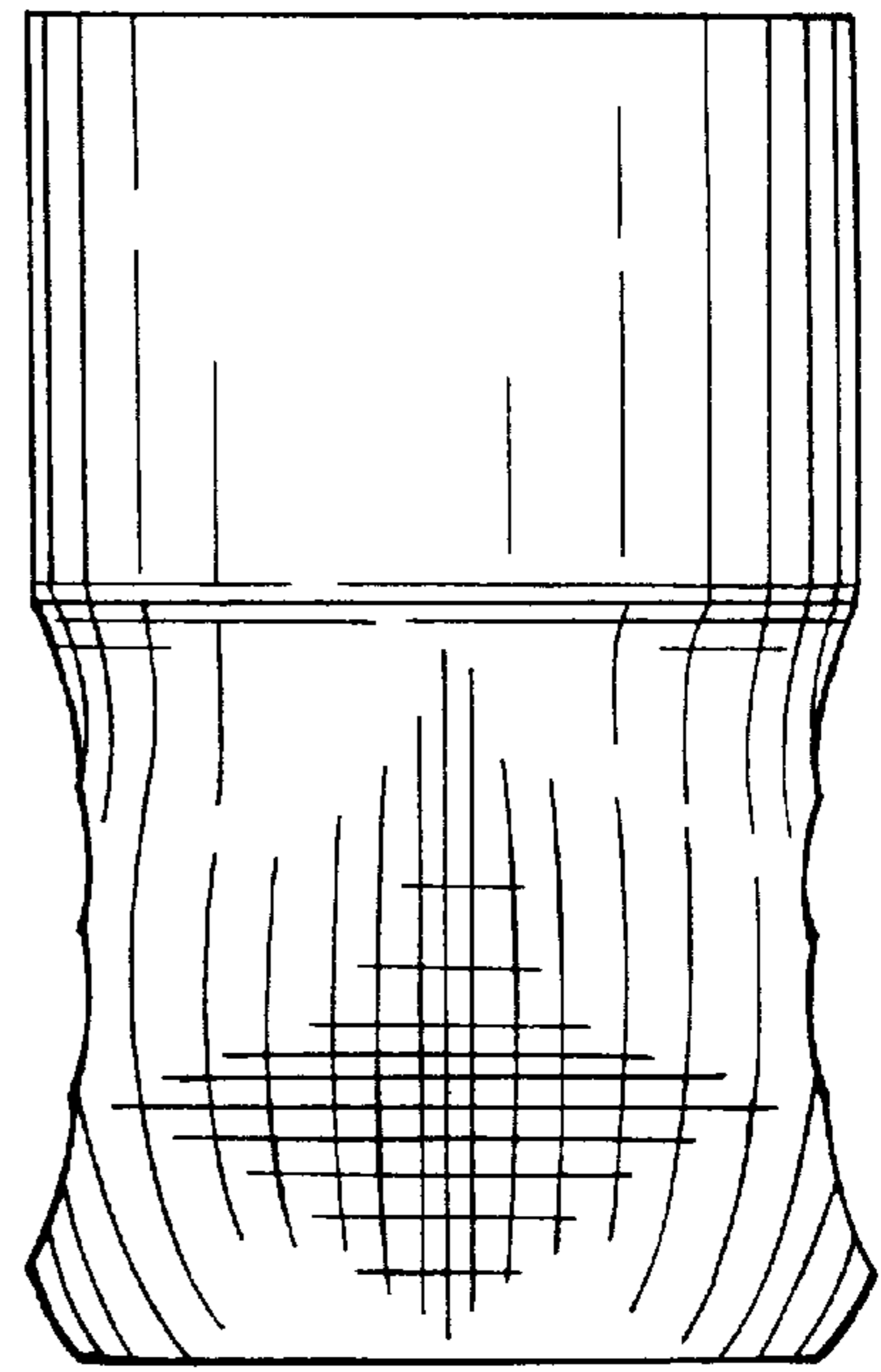


FIG. 2.

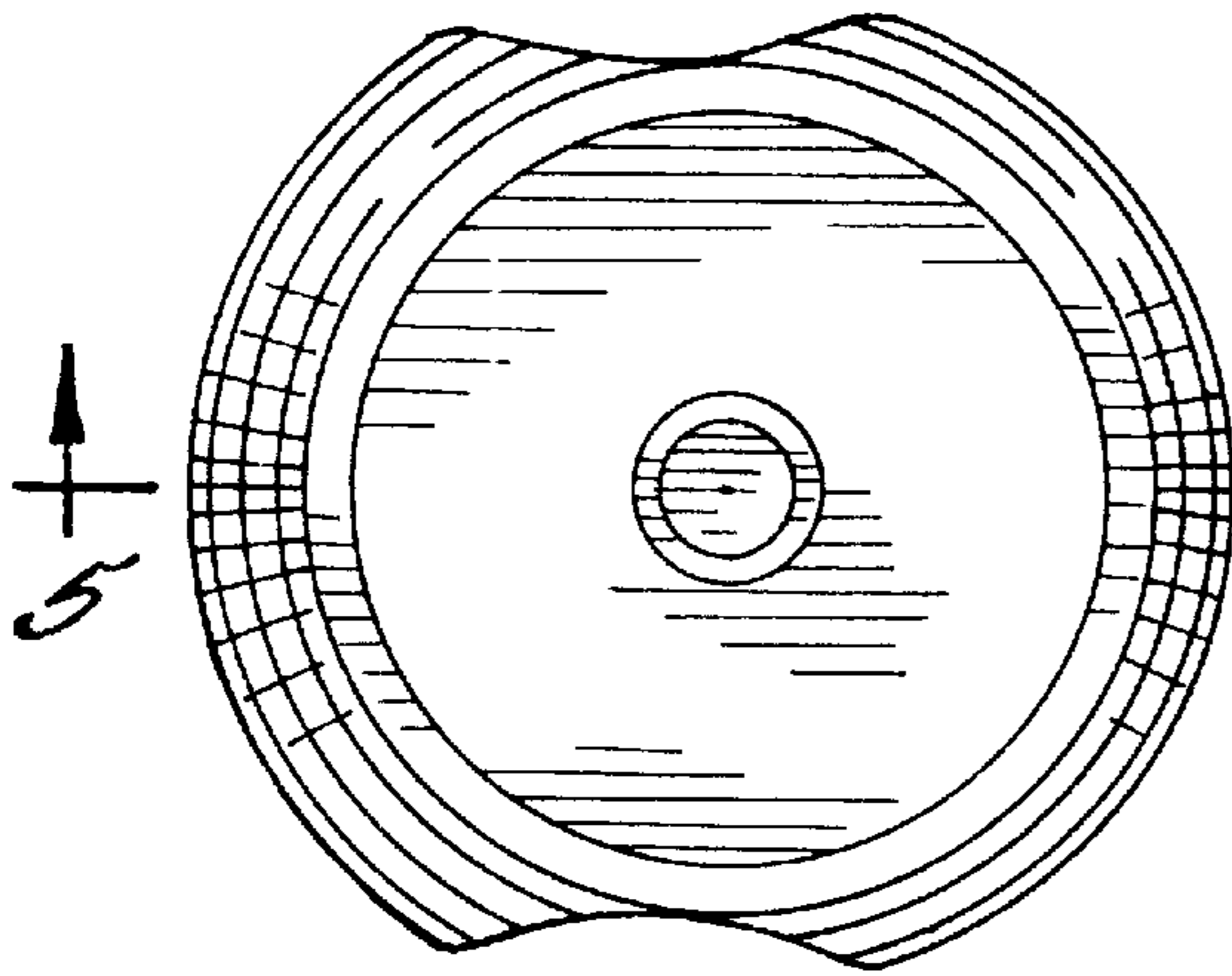


FIG. 3.

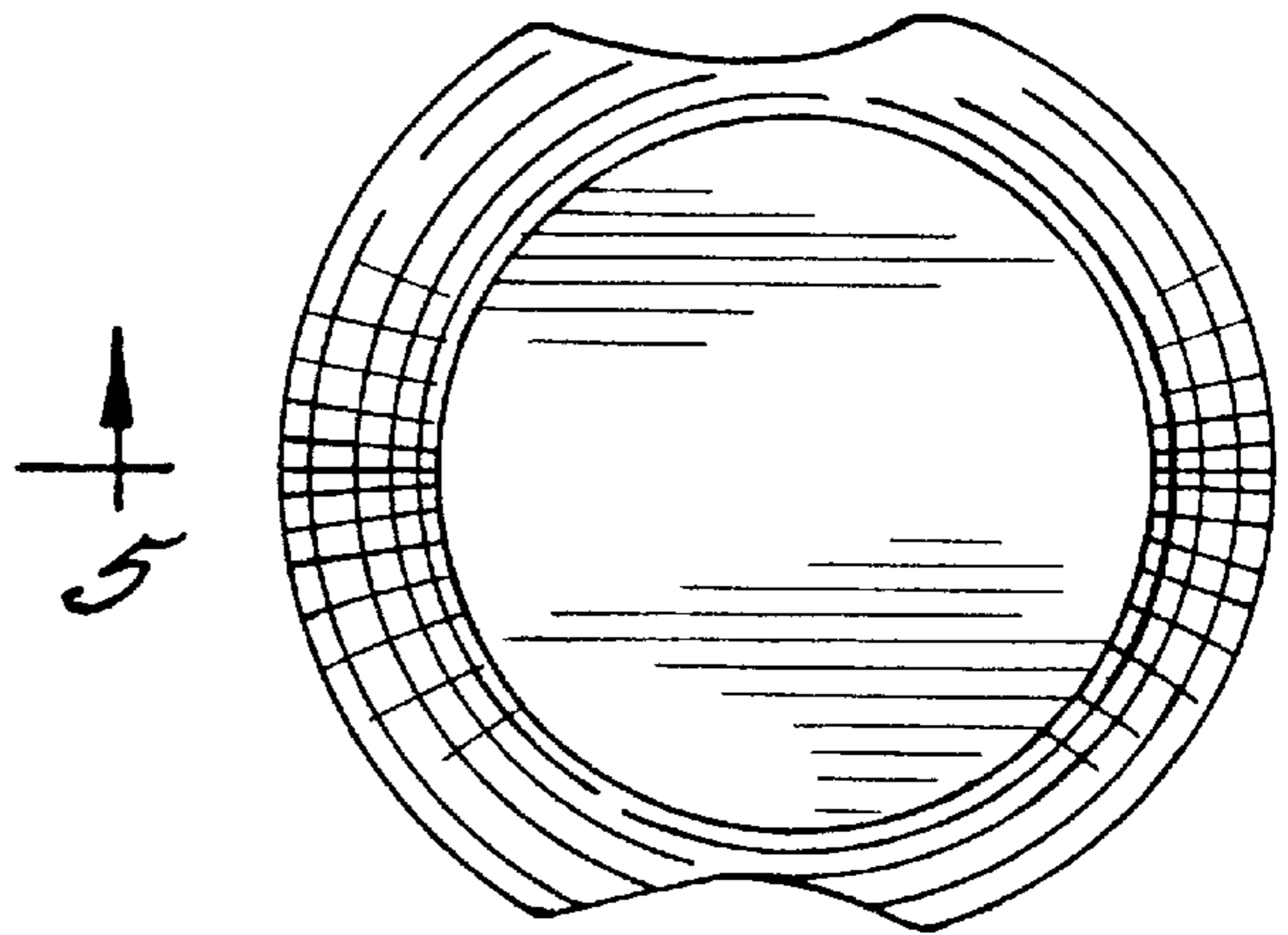


FIG. 4.

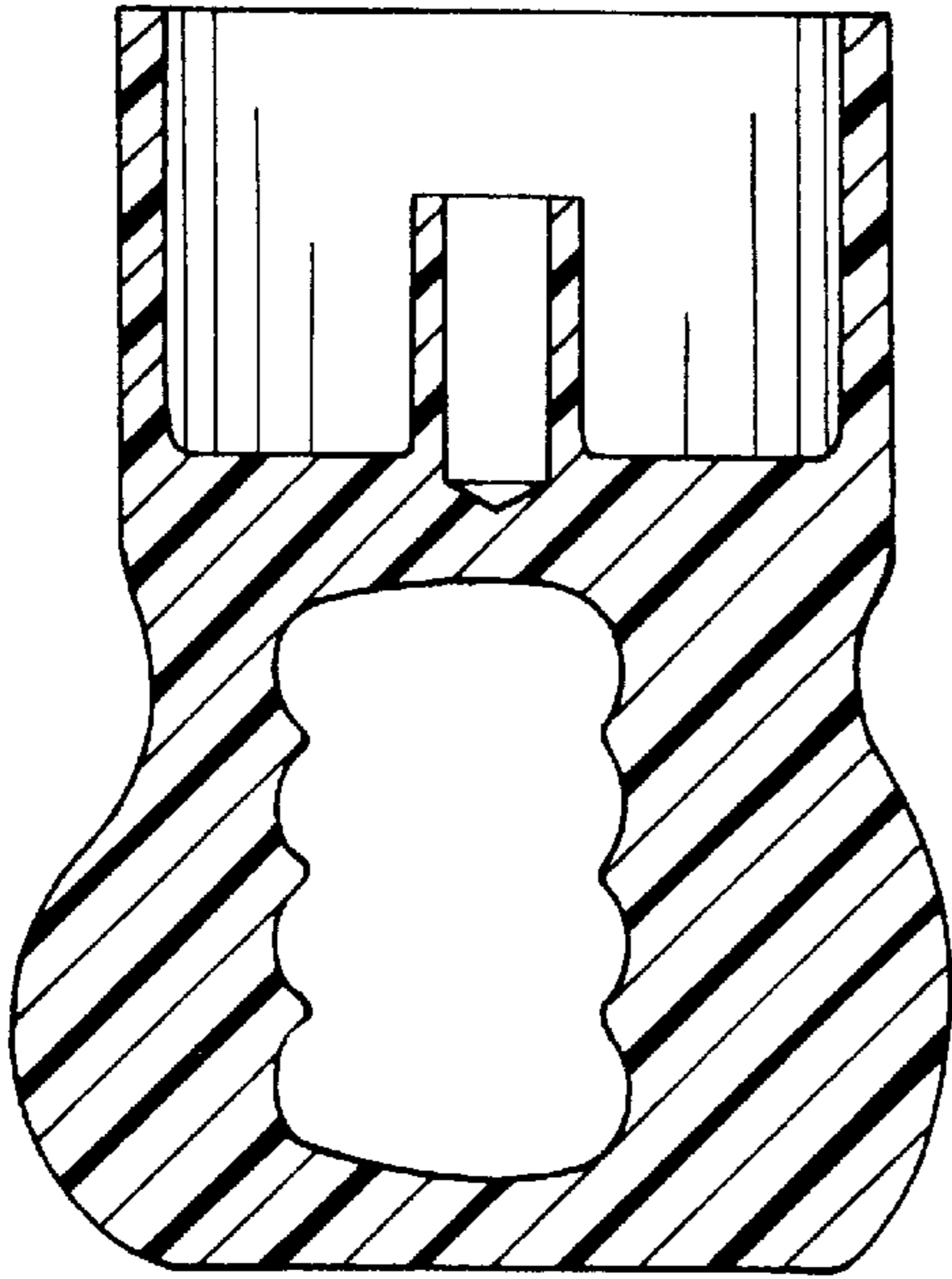


FIG. 5.

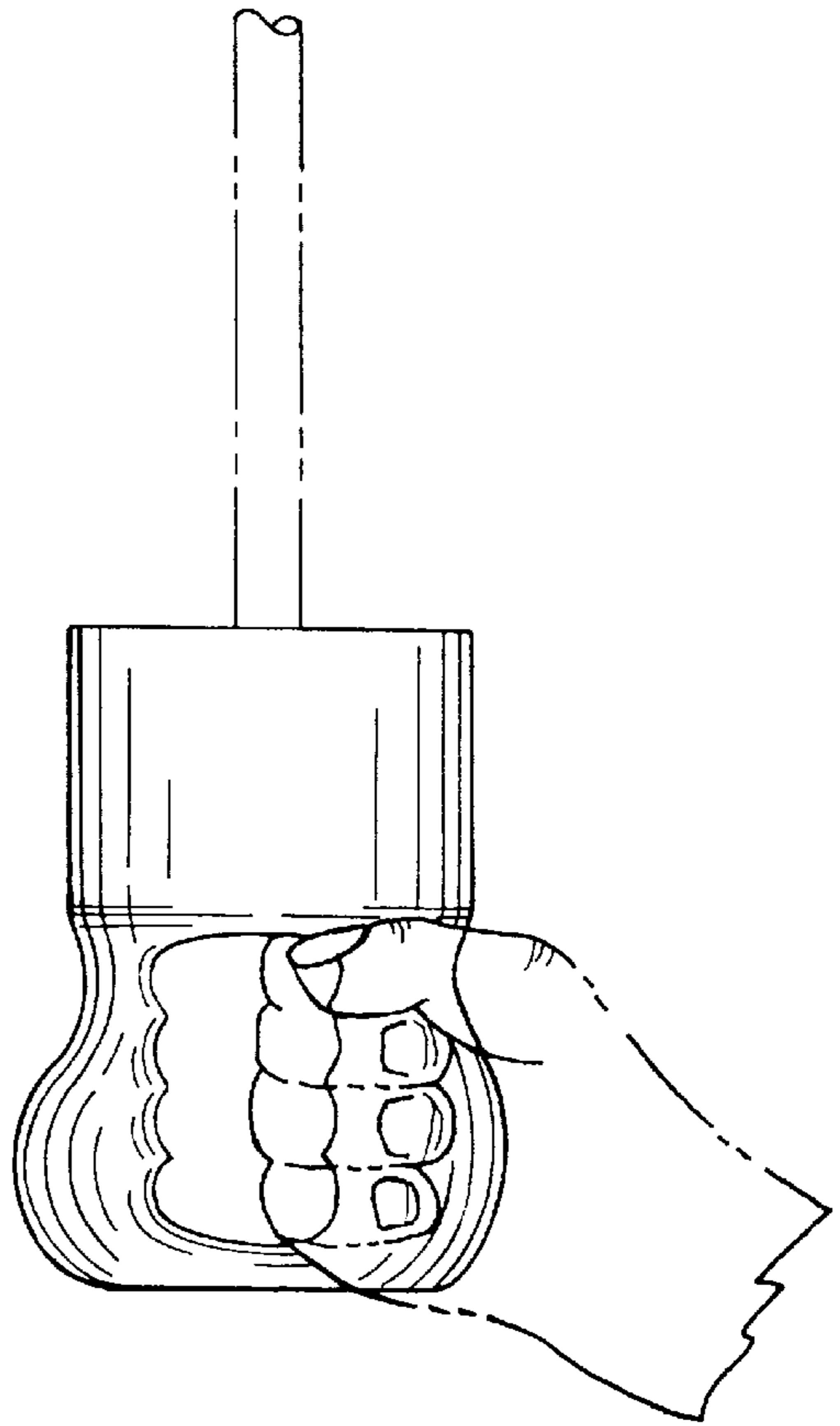


FIG. 6.

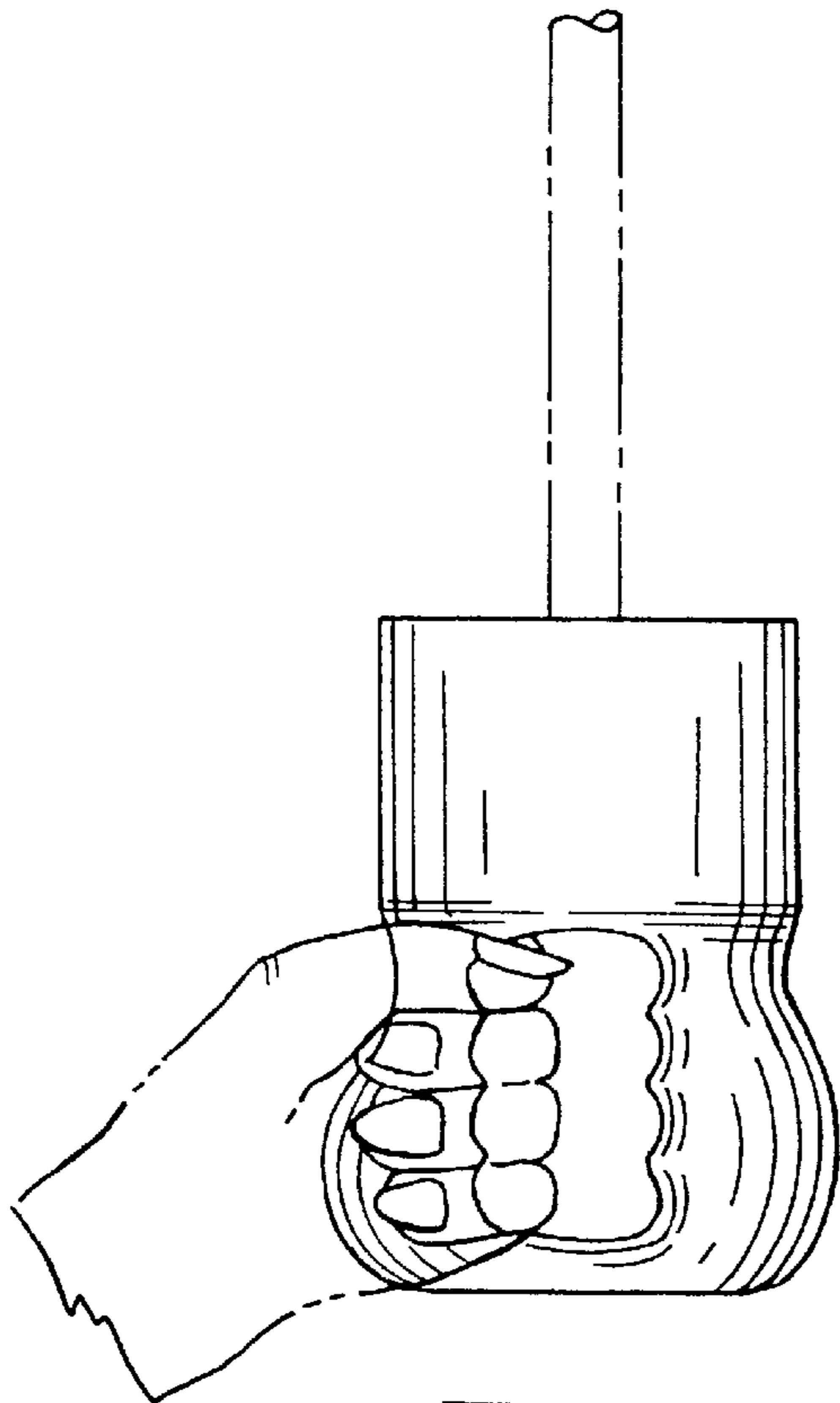


FIG. 7.