



US00D415600S

# United States Patent [19]

Hsieh et al.

[11] **Patent Number: Des. 415,600**

[45] **Date of Patent: \*\* Oct. 19, 1999**

[54] **STRETCHABLE AND FOLDABLE CART**

5,490,688 2/1996 Cheng ..... 280/655

[76] Inventors: **Hung-Hsin Hsieh**, 15 Fl. No. 83, Sec. 1, Chung-Hsiao East Rd., Taipei, Taiwan; **Hung-Ching Hsieh**, No. 15, Lane 493, Sec.2, Yuan-Chi Rd, Yuan-Lin, Chang-Hua Hsien, Taiwan

*Primary Examiner*—Kay H. Chin  
*Attorney, Agent, or Firm*—Erik M. Arnhem

[\*\*] Term: **14 Years**

[57] **CLAIM**  
The ornamental design for “stretchable and foldable cart”, as shown and described.

[21] Appl. No.: **29/079,600**

[22] Filed: **Nov. 17, 1997**

[51] **LOC (6) Cl.** ..... **12-02**

[52] **U.S. Cl.** ..... **D34/23; D34/12; D34/17**

[58] **Field of Search** ..... **D34/12-27; 280/651, 280/652, 654, 655, 47.24, 47.26, 47.29, 47.17, 645**

### DESCRIPTION

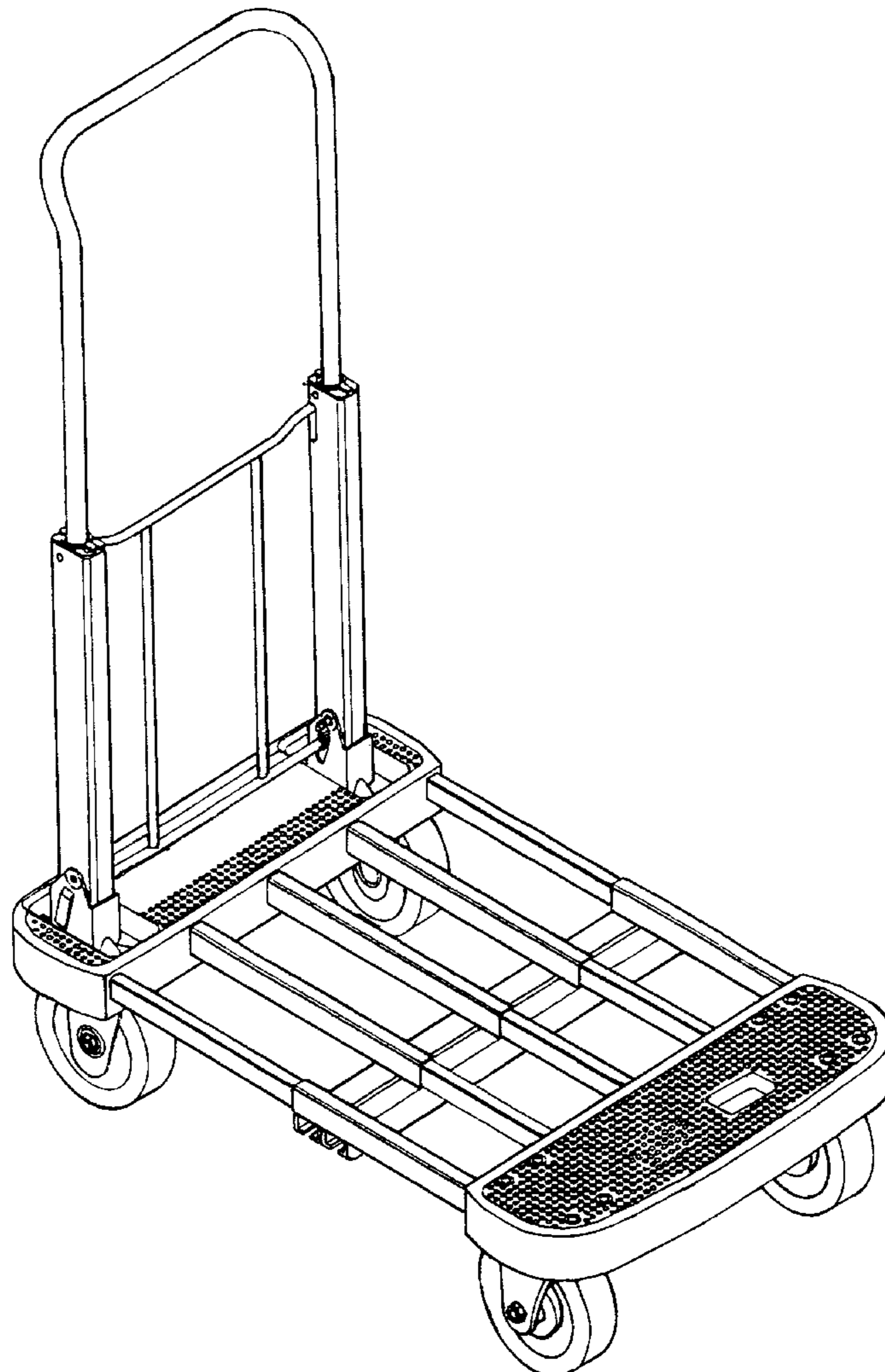
FIG. 1 is a perspective view of a stretchable and foldable cart showing my design;  
FIG. 2 is a front elevational view thereof;  
FIG. 3 is a rear elevational view thereof;  
FIG. 4 is a left side elevational view thereof;  
FIG. 5 is a right side elevational view thereof;  
FIG. 6 is a top plan view thereof; and,  
FIG. 7 is a bottom plan view thereof; and,  
FIG. 8 is a perspective view of stretchable and foldable cart in a contractive and folded state according to the present design.

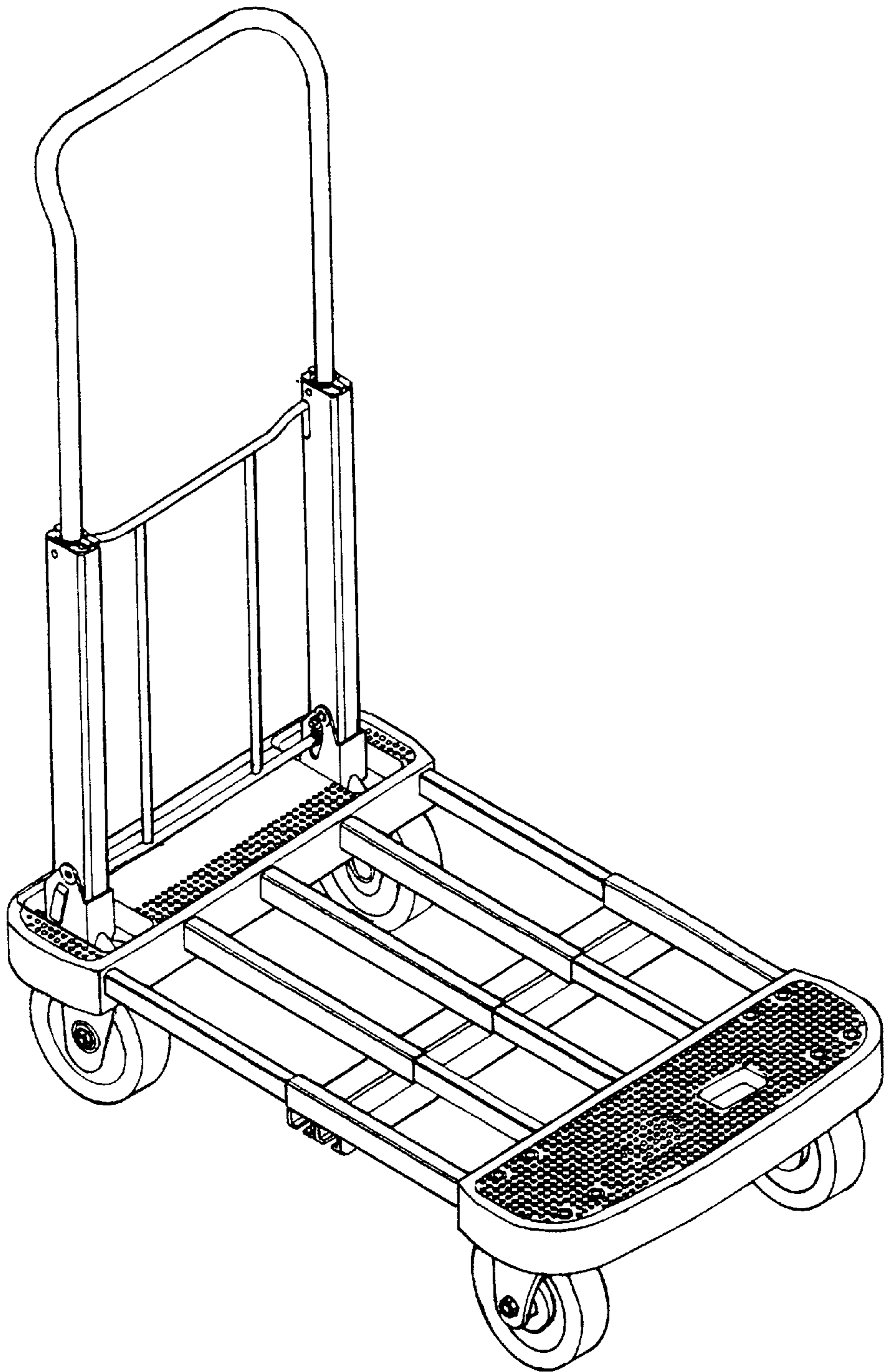
### [56] **References Cited**

#### U.S. PATENT DOCUMENTS

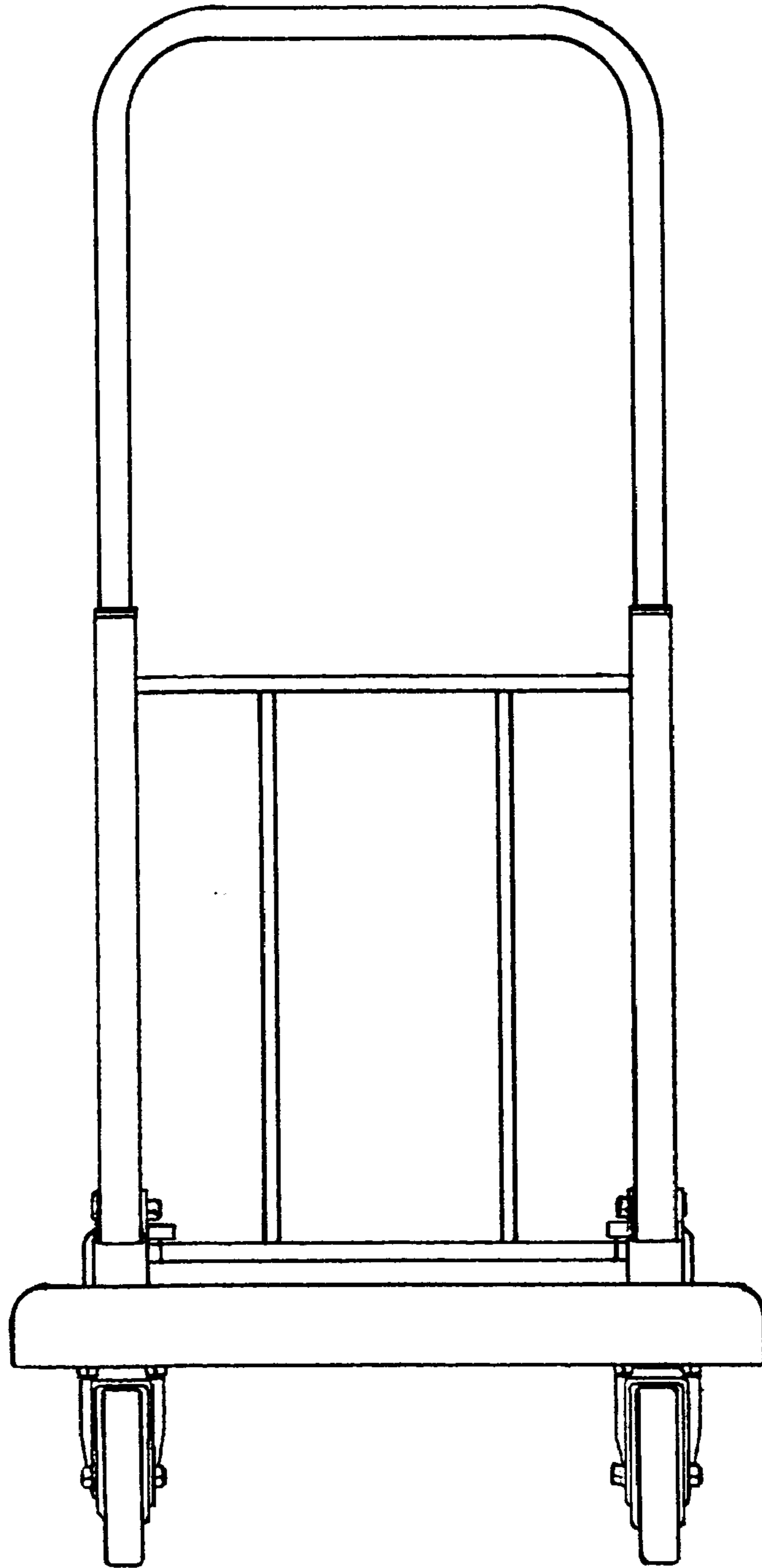
D. 335,738 5/1993 Tsai ..... D34/26

**1 Claim, 8 Drawing Sheets**

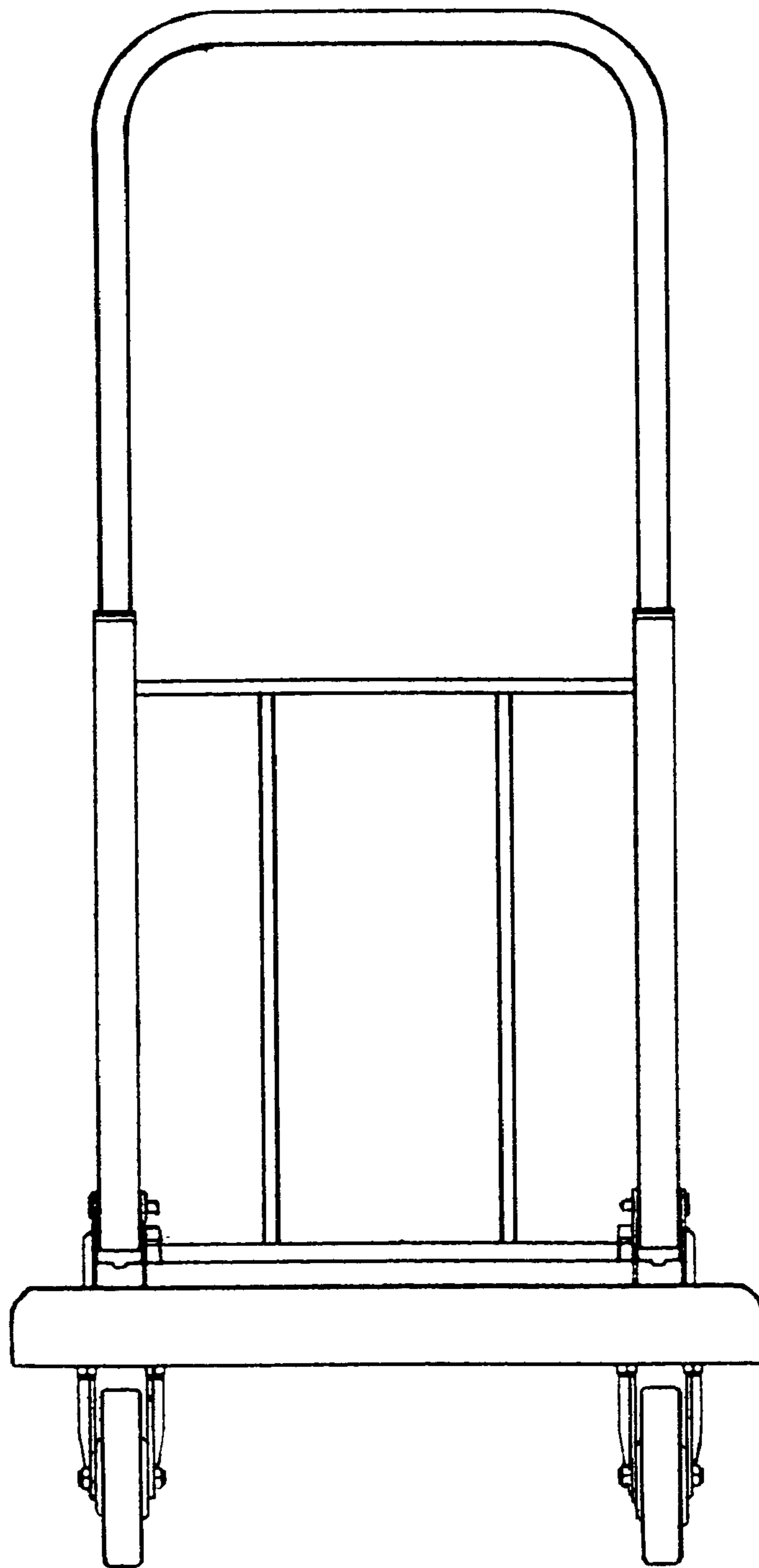




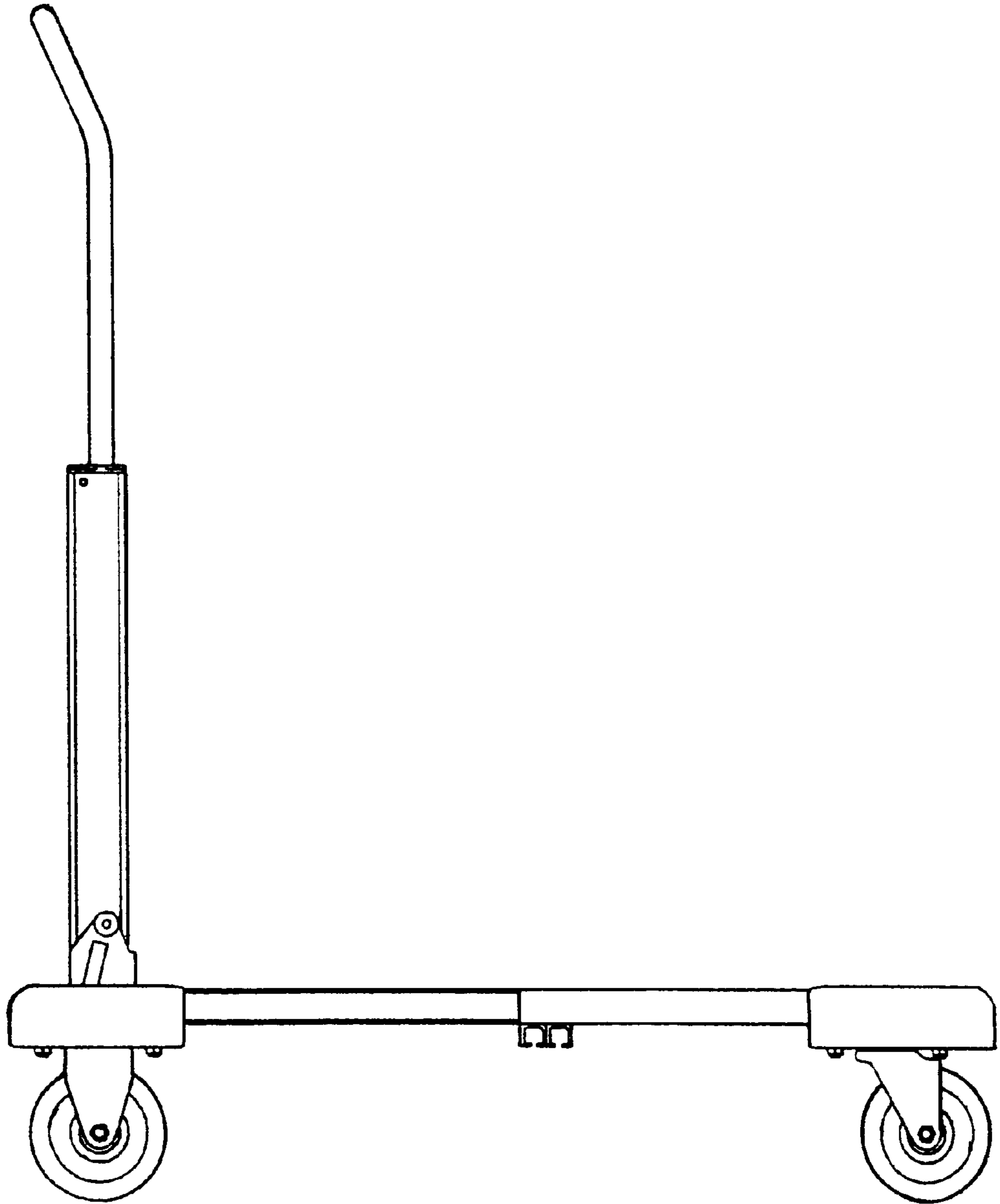
F I G . 1



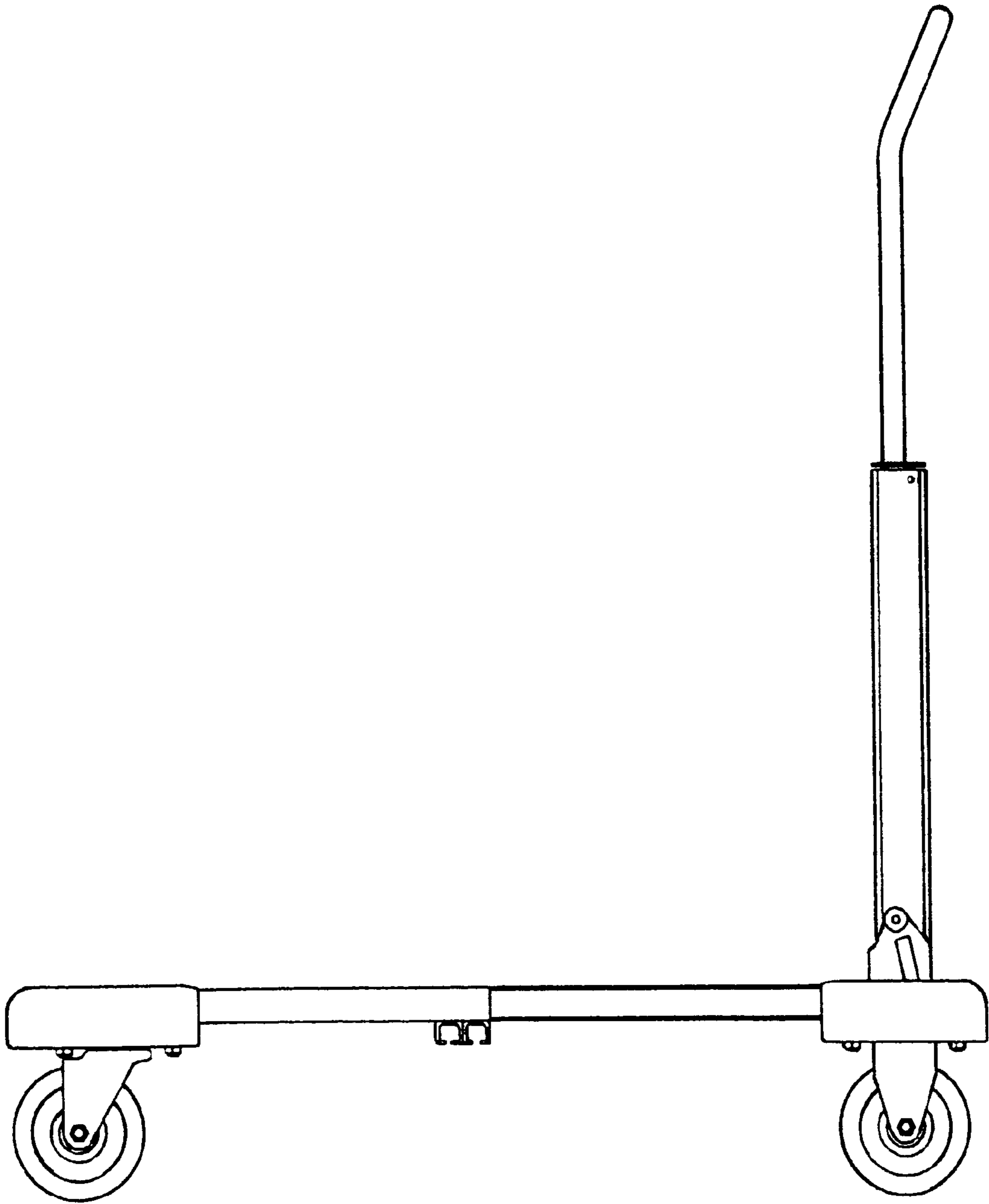
F I G . 2



F I G . 3

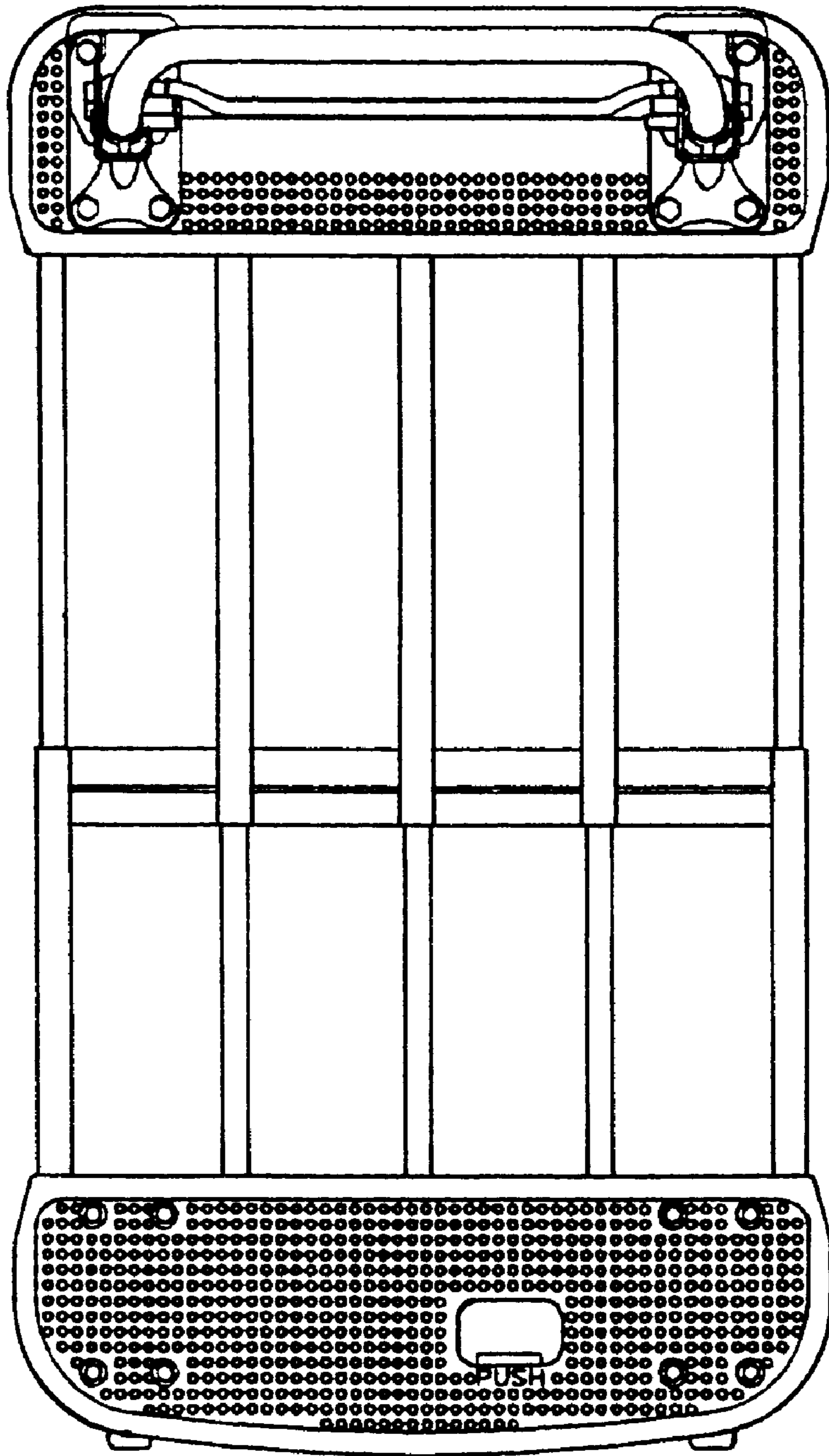


F I G . 4

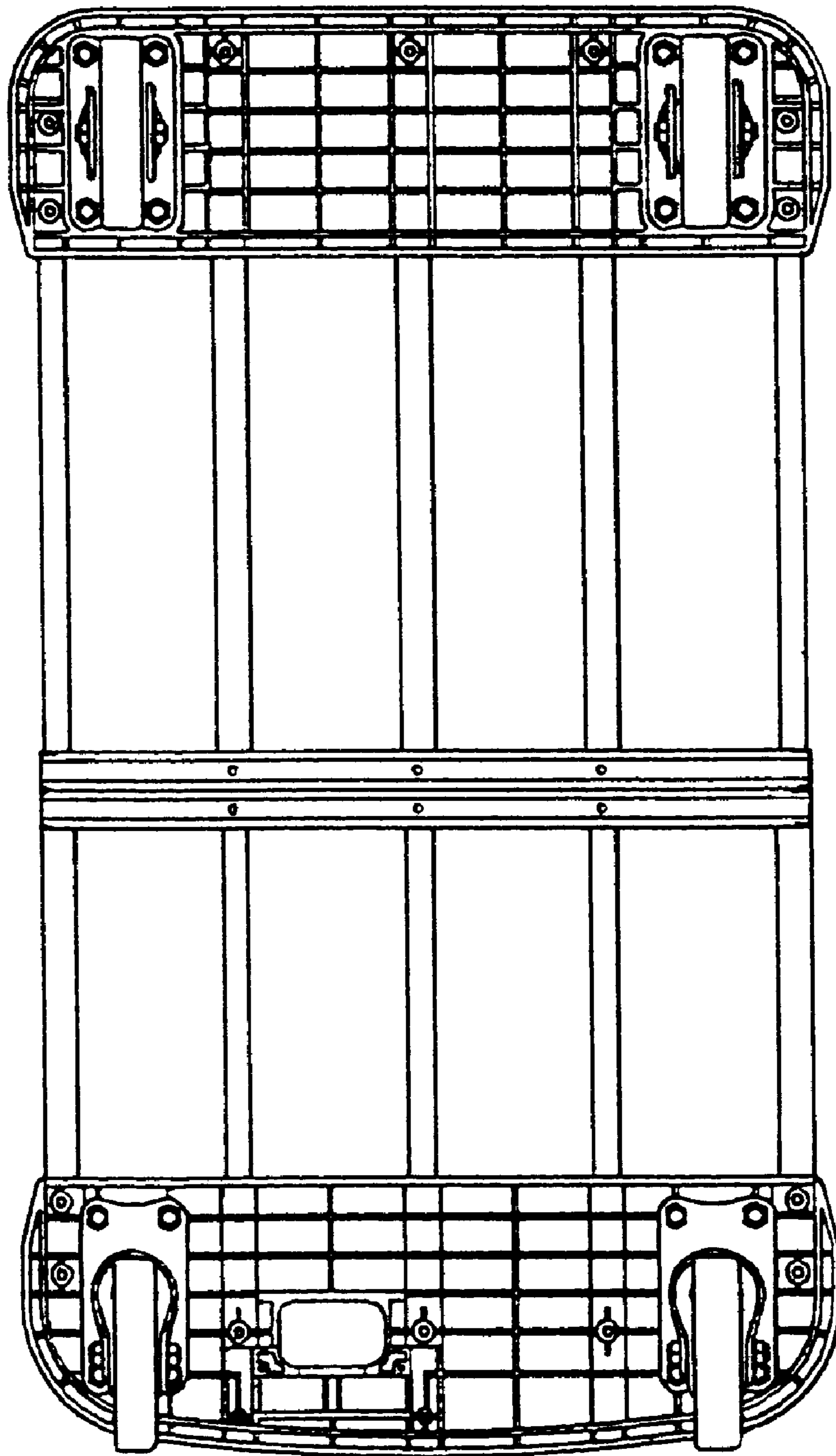


F I G . 5



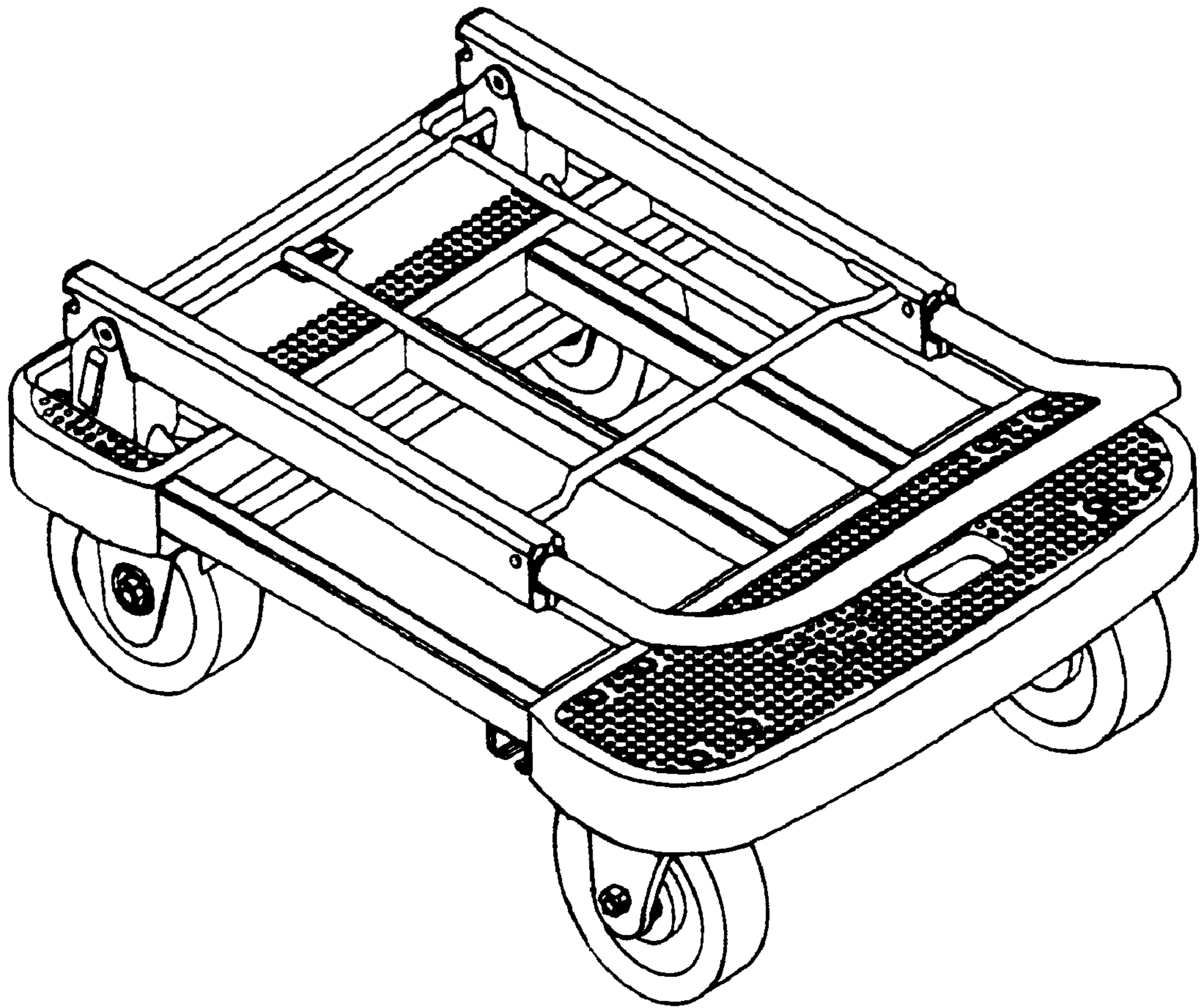


F I G . 6



F I G . 7





F I G . 8