



US00D415599S

United States Patent [19]
Muckala

[11] **Patent Number: Des. 415,599**

[45] **Date of Patent: ** Oct. 19, 1999**

[54] **GARDEN CART**

[76] Inventor: **Teresa L. Muckala**, 4669 Stoddart La.,
White Bear Lake, Minn. 55127

[**] Term: **14 Years**

[21] Appl. No.: **29/097,798**

[22] Filed: **Dec. 14, 1998**

[51] **LOC (6) Cl.** **12-02**

[52] **U.S. Cl.** **D34/19; D34/15**

[58] **Field of Search** D34/12-27; 280/47.27,
280/47.29, 47.39, 79.11, 47.17, 47.24, DIG. 6;
248/129

[56] **References Cited**

U.S. PATENT DOCUMENTS

D. 399,031 9/1998 Prosper et al. D34/24

3,172,681 3/1965 Moses 280/47.19
4,629,202 12/1986 Nelson et al. 280/47.26
5,201,540 4/1993 Wu 280/646

Primary Examiner—Kay H. Chin

Attorney, Agent, or Firm—Nikolai, Mersereau & Dietz, P.A.

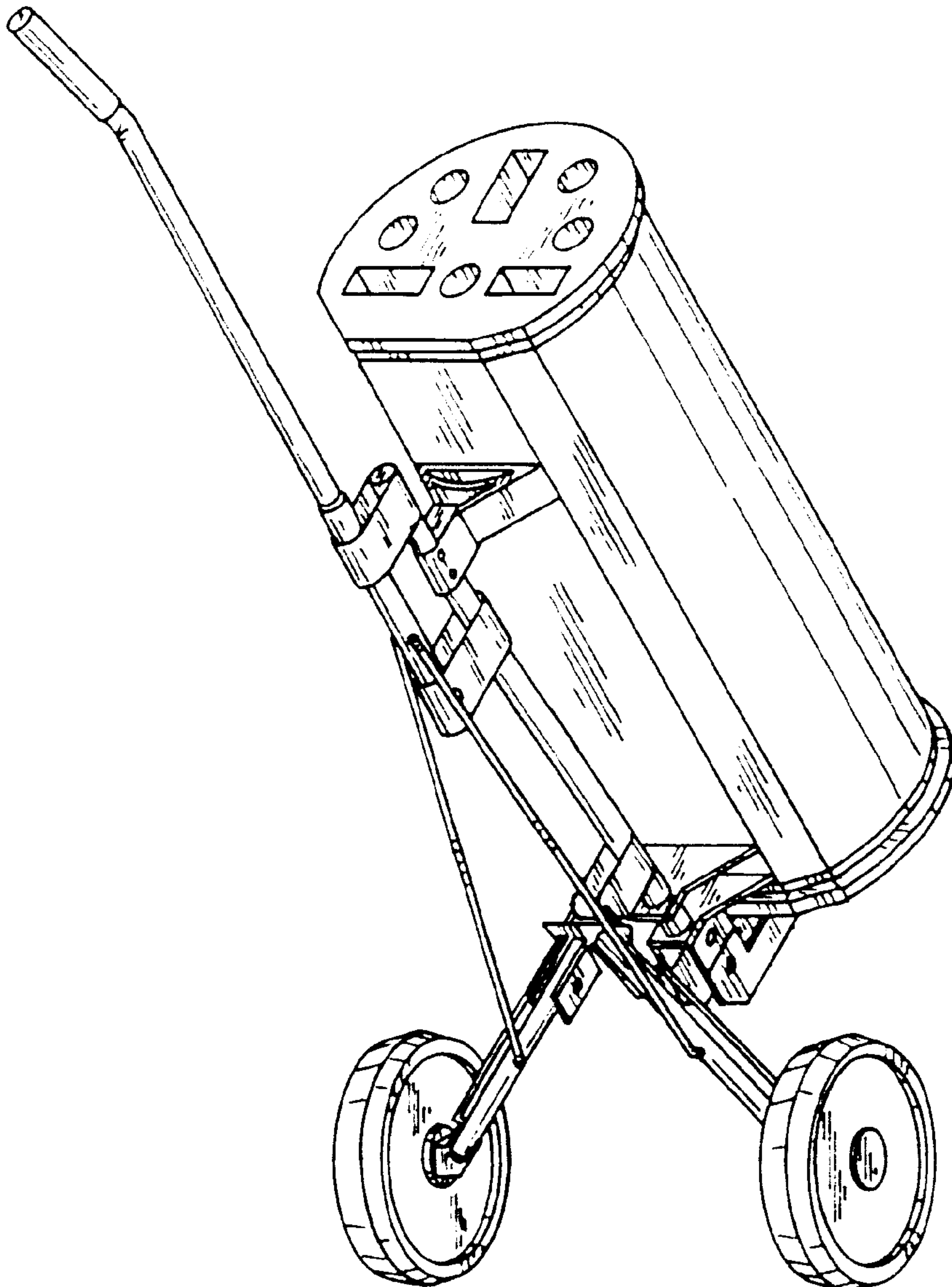
[57] **CLAIM**

The ornamental design for a “garden cart”, as shown and described.

DESCRIPTION

FIG. 1 is a front view of the garden cart;
FIG. 2 is a side view of the garden cart;
FIG. 3 is a back view of the garden cart;
FIG. 4 is a top view of the garden cart;
FIG. 5 is a bottom view of the garden cart; and,
FIG. 6 is a perspective view of the garden cart.

1 Claim, 6 Drawing Sheets



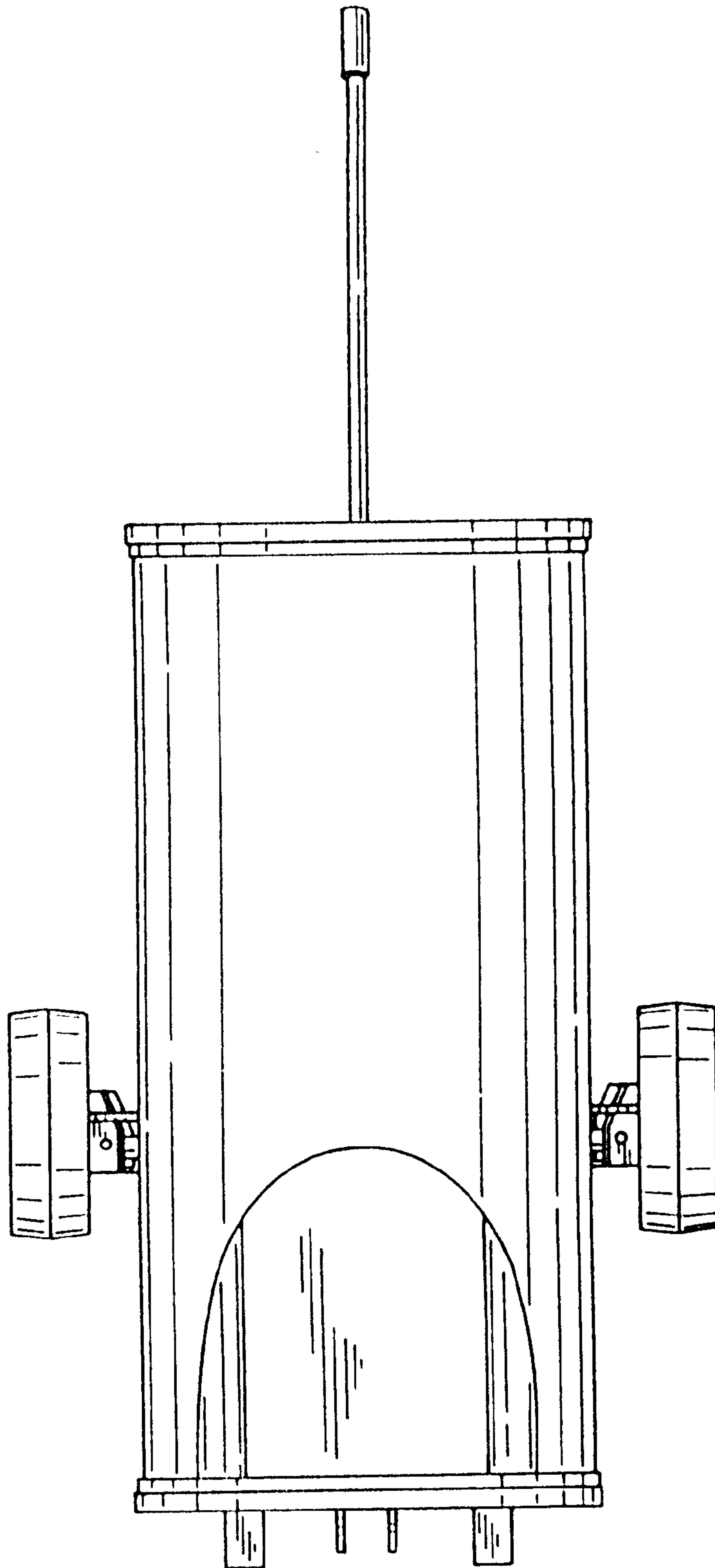


FIG. 1

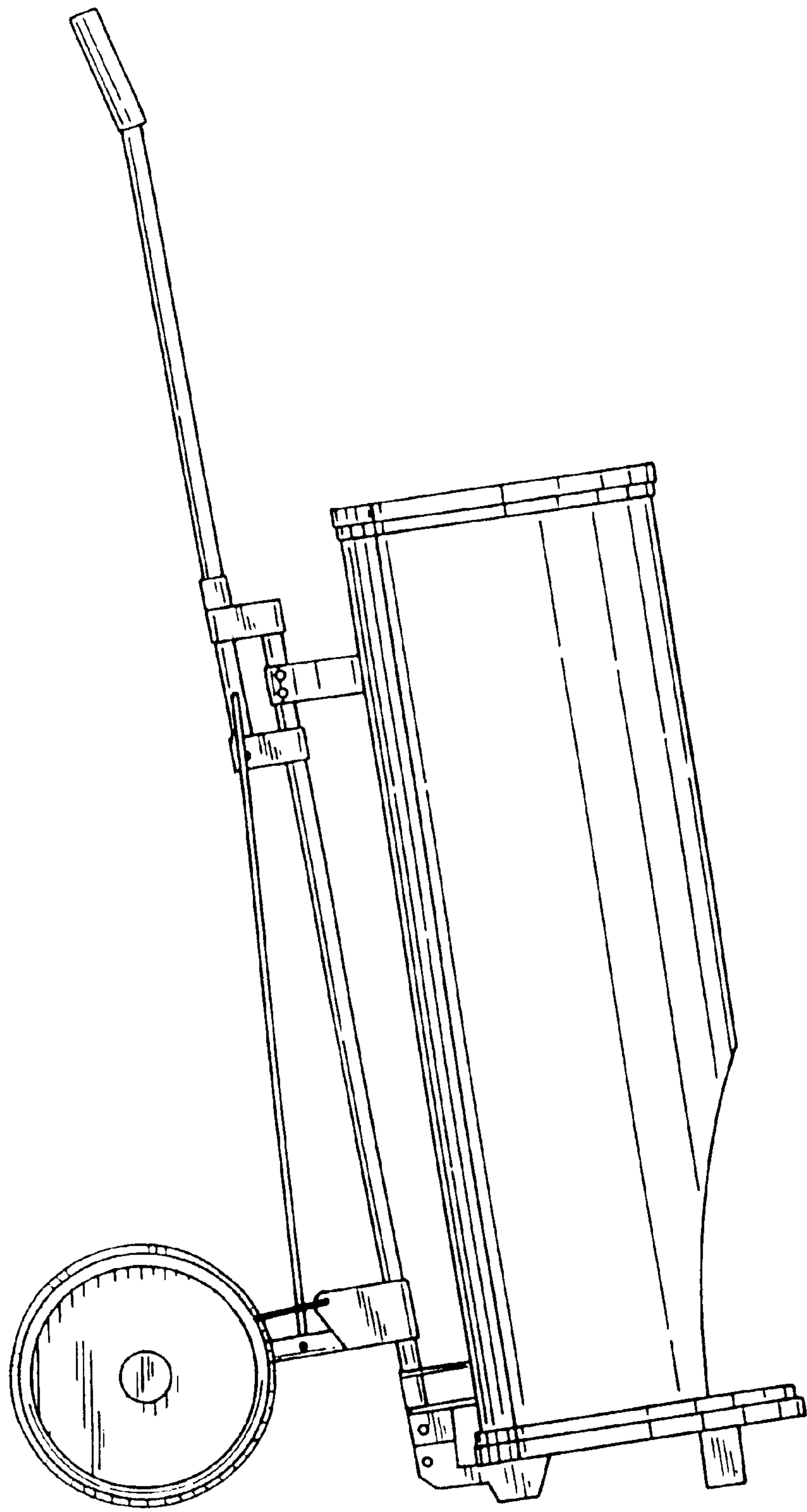


FIG. 2

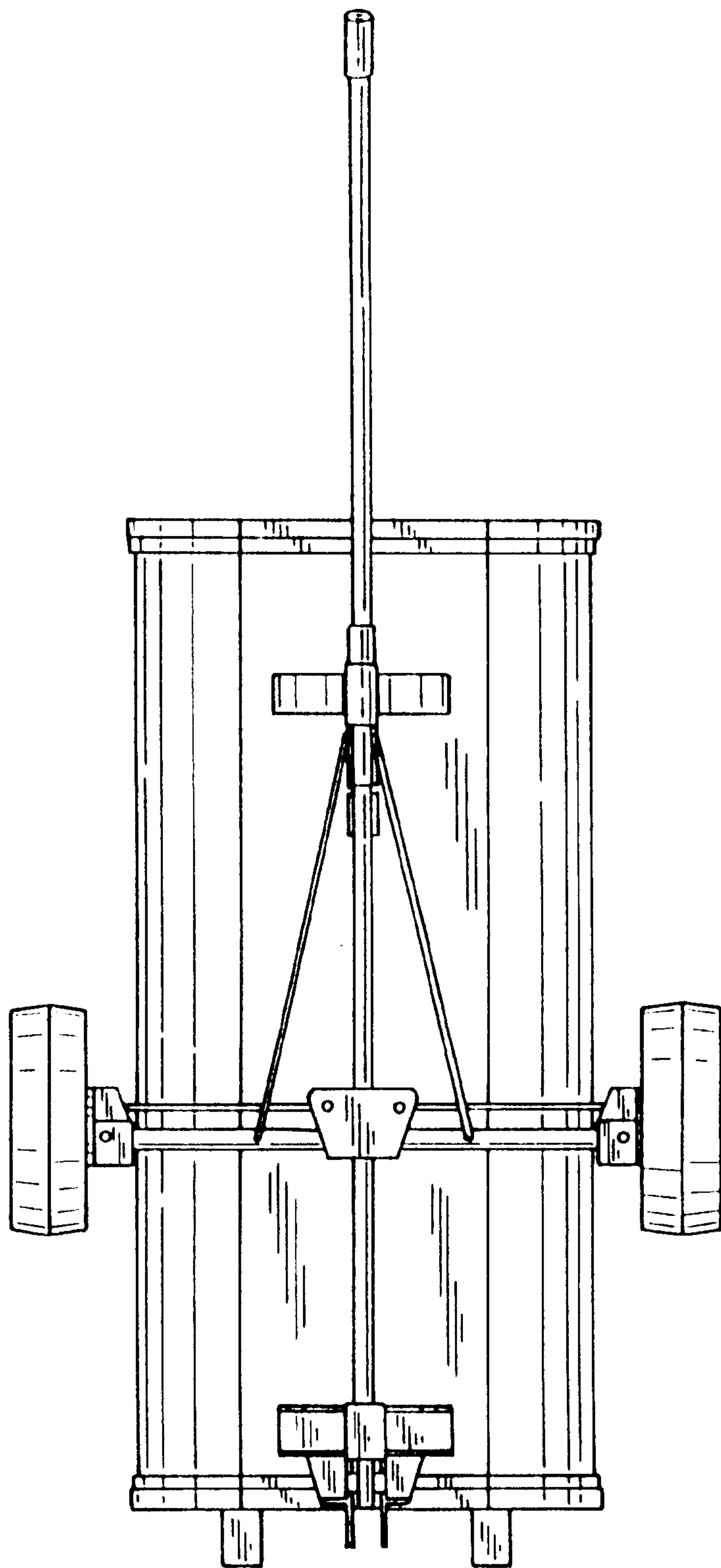


FIG. 3

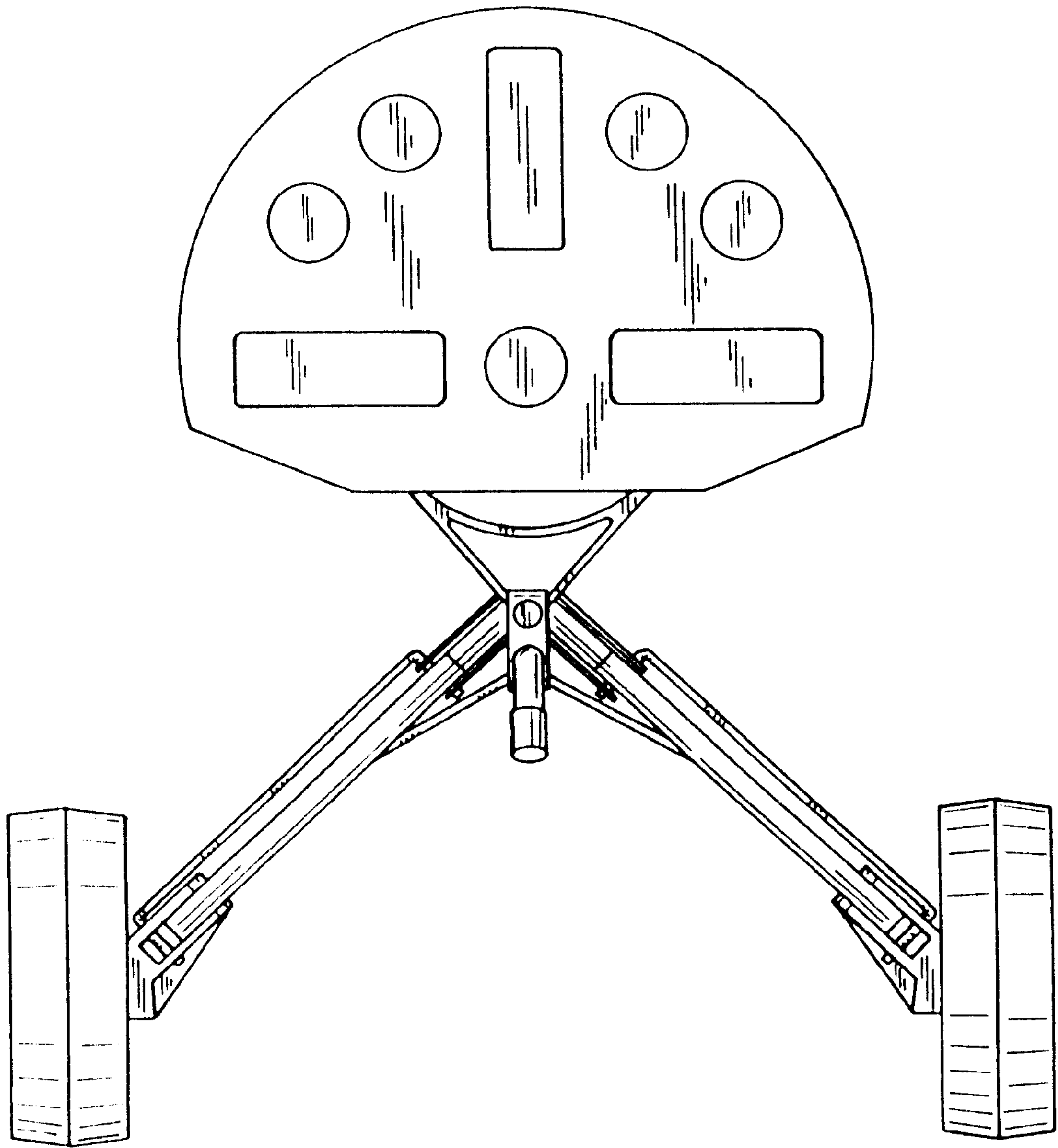


FIG. 4

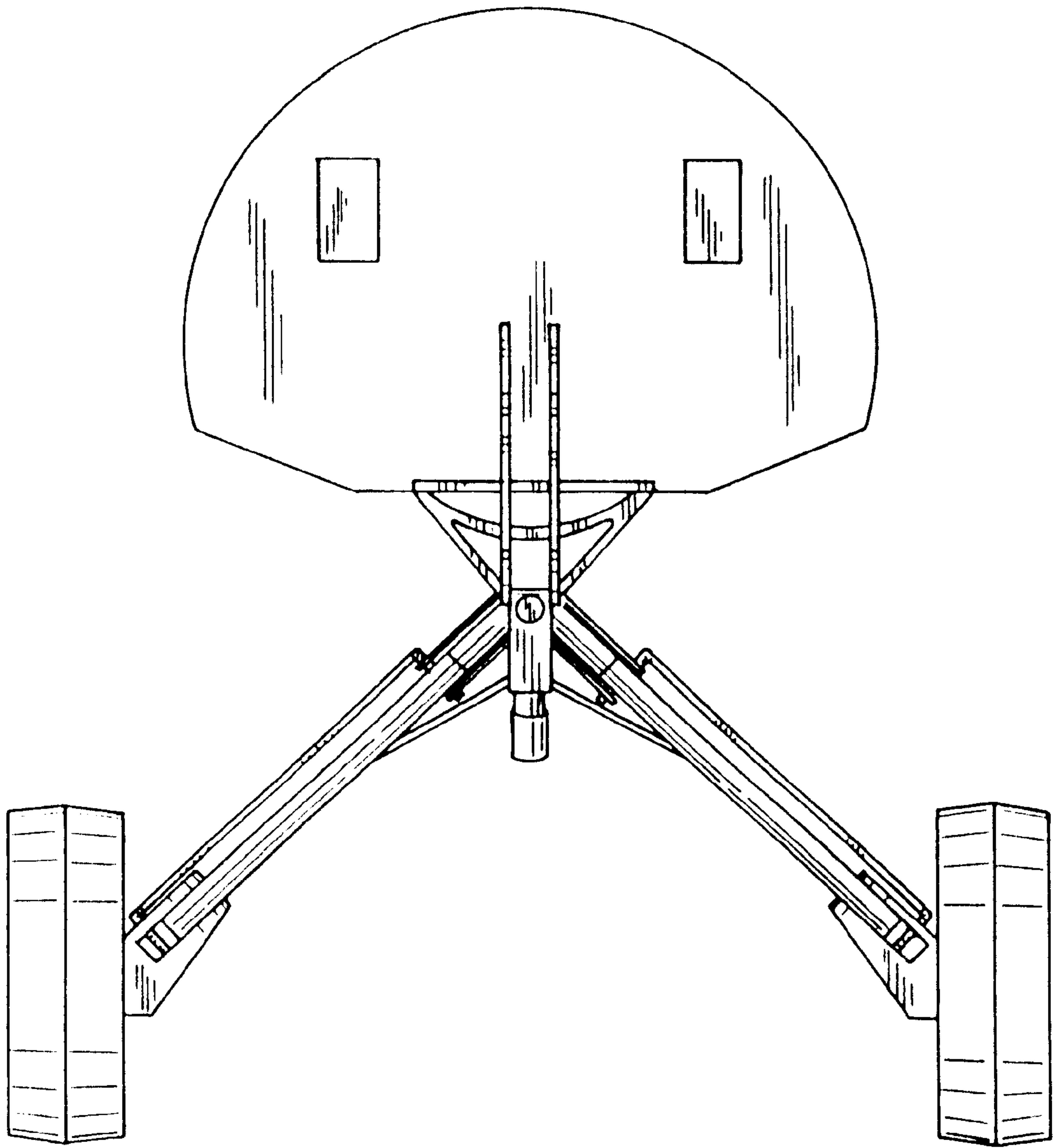


FIG. 5

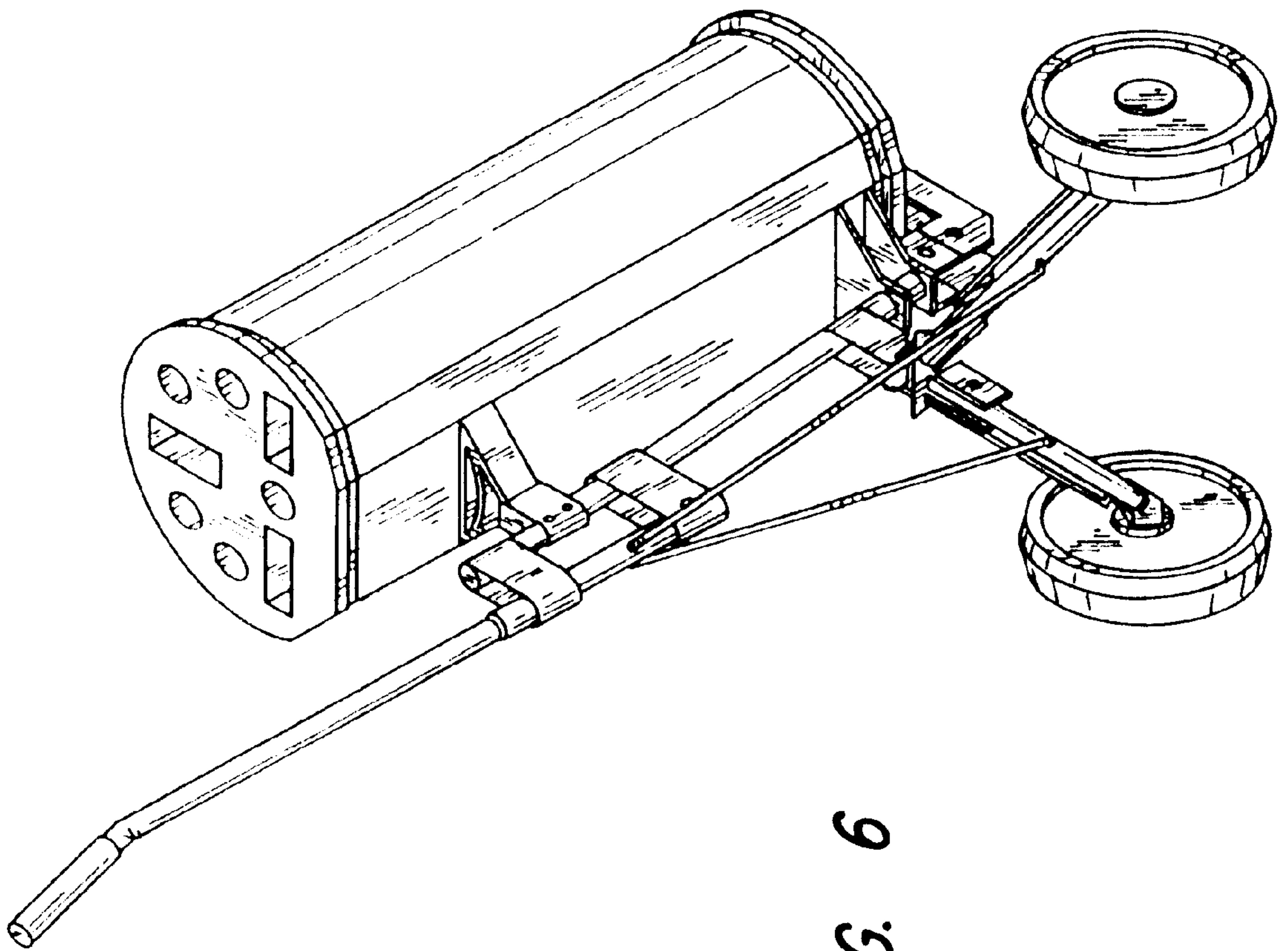


FIG. 6