



US00D415594S

United States Patent [19] Bostock

[11] Patent Number: **Des. 415,594**

[45] Date of Patent: **** Oct. 19, 1999**

[54] **STIRRUP**

[76] Inventor: **Hayden Bostock**, 203-205 Canning St.,
Carlton, Victoria 3053, Australia

[**] Term: **14 Years**

[21] Appl. No.: **29/080,576**

[22] Filed: **Dec. 11, 1997**

[30] Foreign Application Priority Data

Jun. 11, 1997 [AU] Australia 1810/1997

[51] **LOC (6) Cl.** **30-04**

[52] **U.S. Cl.** **D30/142**

[58] **Field of Search** D30/142; 54/1,
54/47, 49

[56] References Cited

U.S. PATENT DOCUMENTS

29,953	9/1860	Clark	54/47
49,103	8/1865	Gould	54/49
D. 125,436	2/1941	Talbert	D30/142
163,120	5/1875	Waggoner	54/49
D. 292,628	11/1987	Racina	D30/142
341,987	5/1886	Allen	54/49
445,411	1/1891	Pearson et al.	54/49
535,870	3/1895	Taylor	54/49
902,745	11/1908	Krieg	54/49
1,000,782	8/1911	Cox	54/49

1,088,552	2/1914	Dolan	54/49
1,276,540	8/1918	Kall	54/49
1,392,673	10/1921	Baker	54/47
1,480,314	1/1924	Szymanski	54/49
1,622,510	3/1927	Hendriks	54/49

Primary Examiner—Cathy Anne MacCormac
Attorney, Agent, or Firm—Baker & Daniels

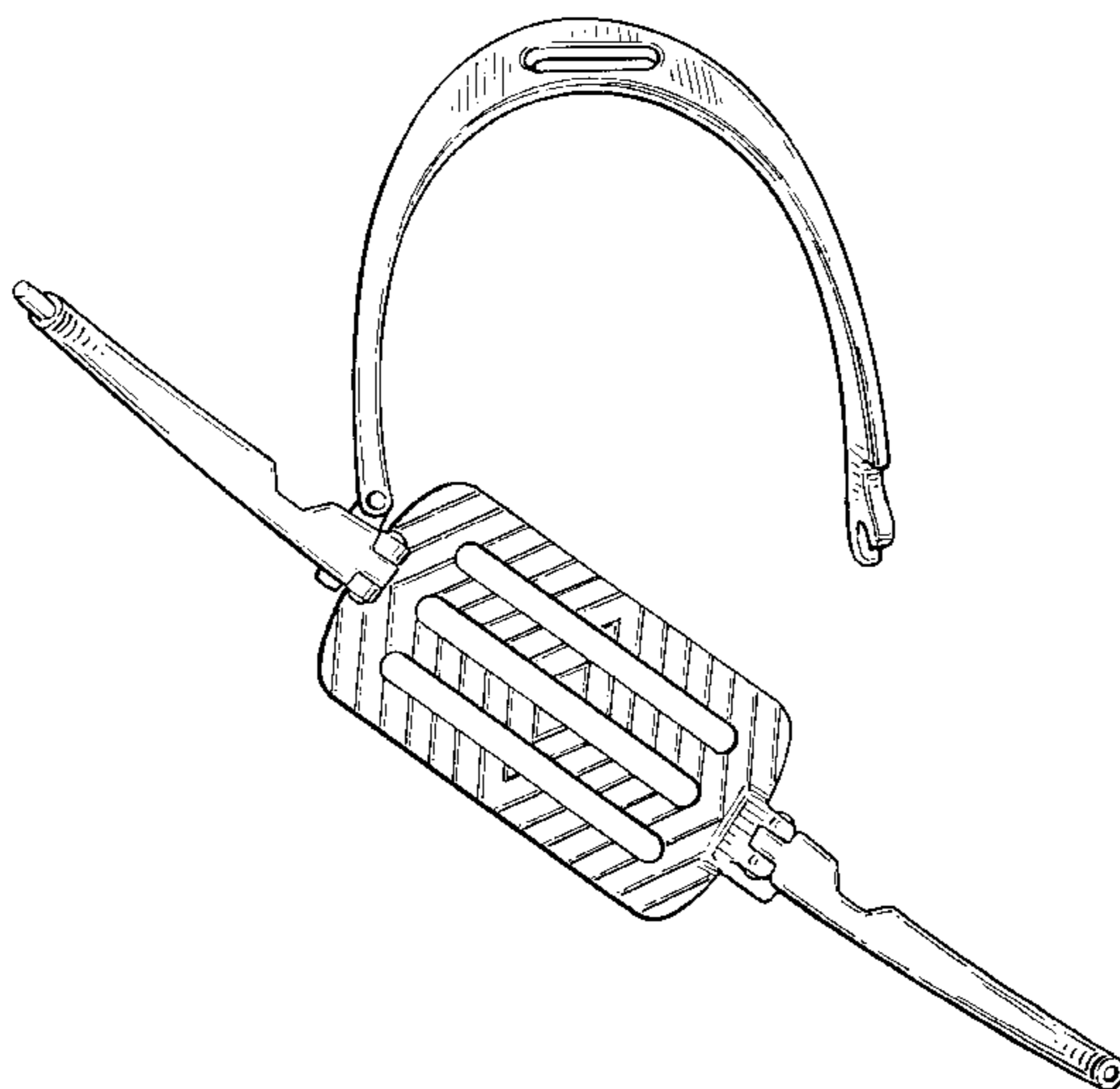
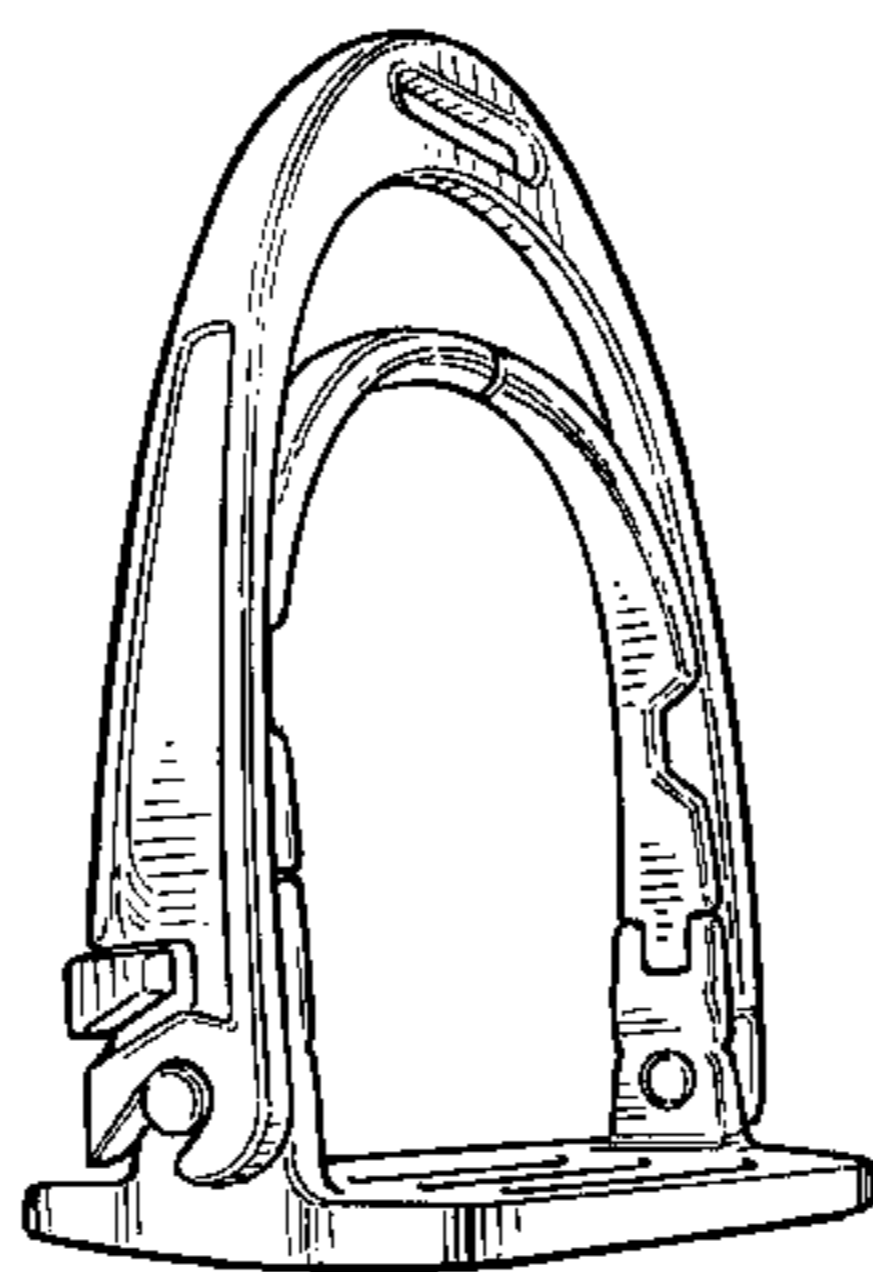
[57] CLAIM

The ornamental design for a stirrup, as shown and described.

DESCRIPTION

FIG. 1 is a perspective view taken from the rear and right of a stirrup showing my new design;
 FIG. 2 is a perspective view taken from the rear and bottom thereof;
 FIG. 3 is a front elevational view thereof;
 FIG. 4 is a rear elevational view thereof;
 FIG. 5 is a left side elevational view thereof;
 FIG. 6 is a right side elevational view thereof;
 FIG. 7 is a top plan view thereof;
 FIG. 8 is a rear elevational view thereof in a released position, wherein the footplate portion of the stirrup has been rotated about the hinge in order for its front to be viewed; and,
 FIG. 9 is another perspective view thereof in a released position.

1 Claim, 5 Drawing Sheets



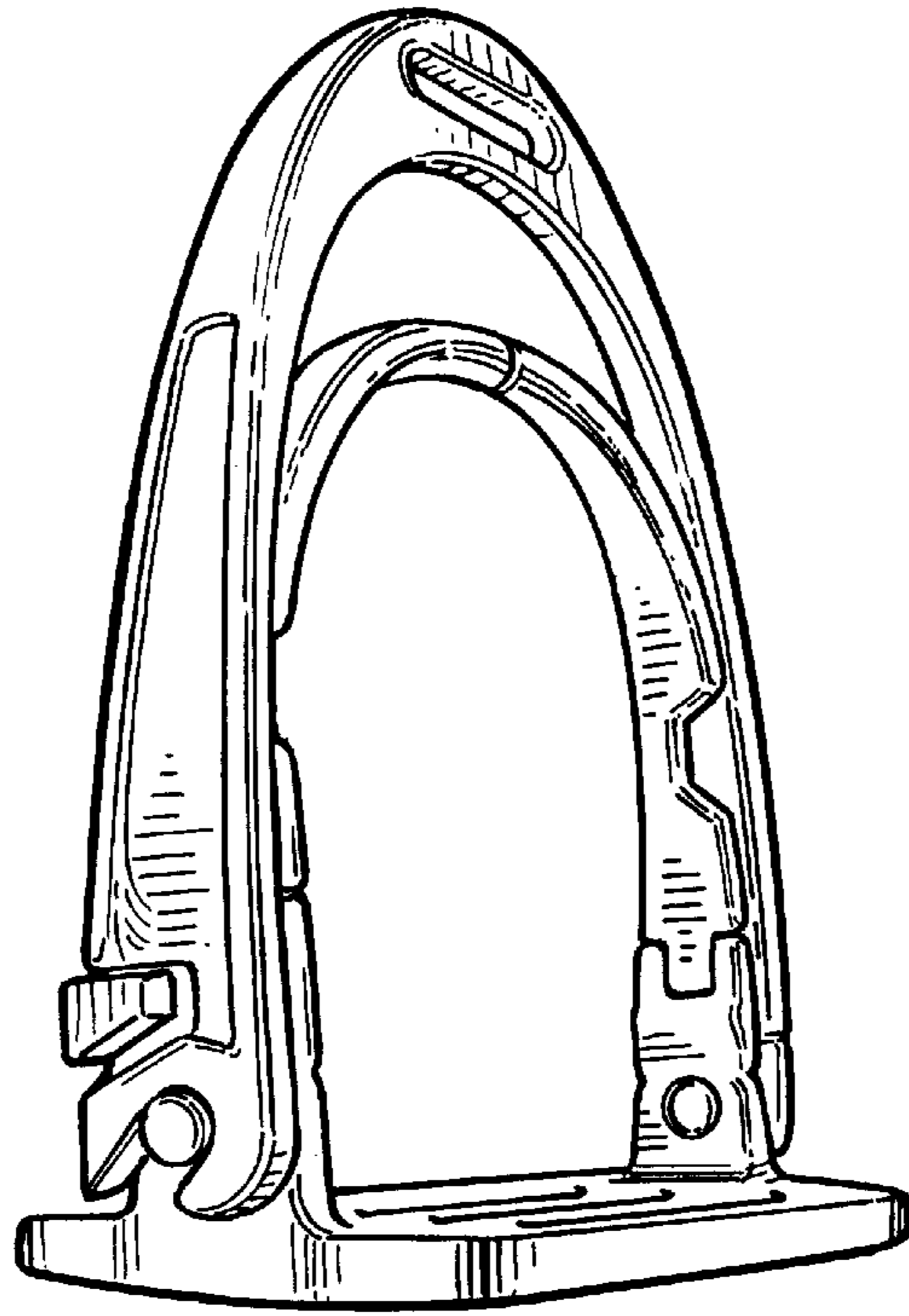


Fig. 1

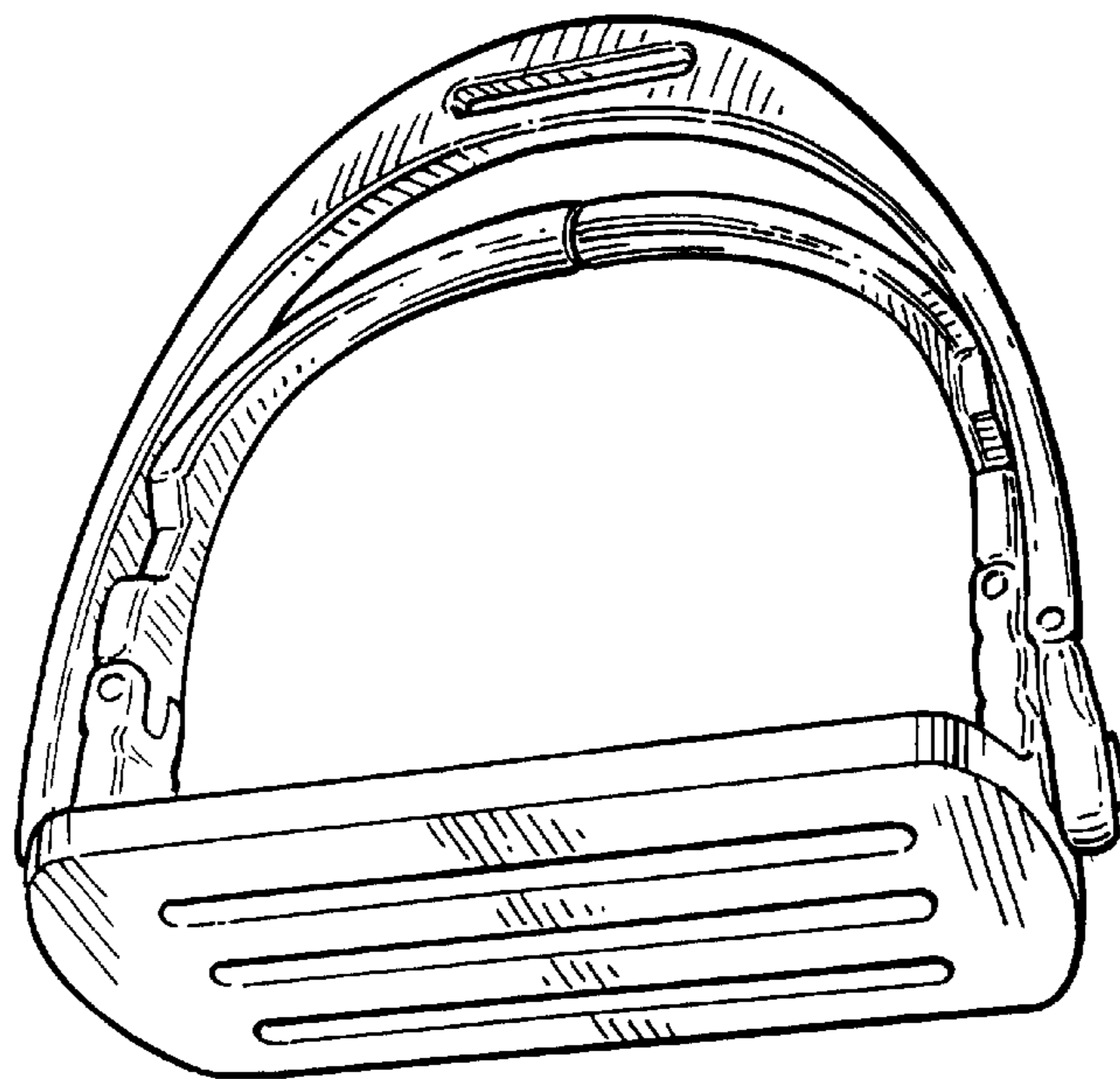


Fig. 2

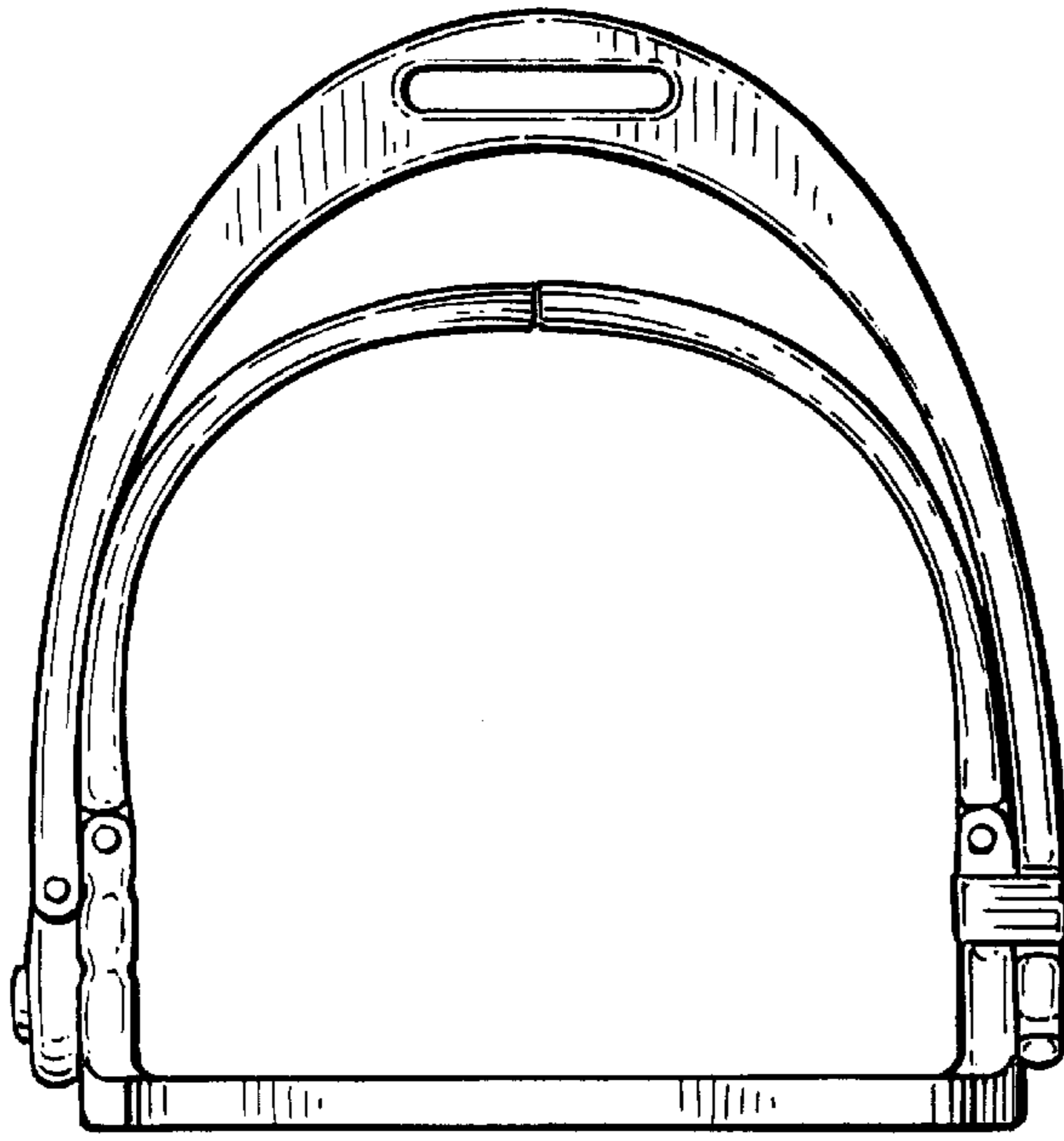


Fig. 3

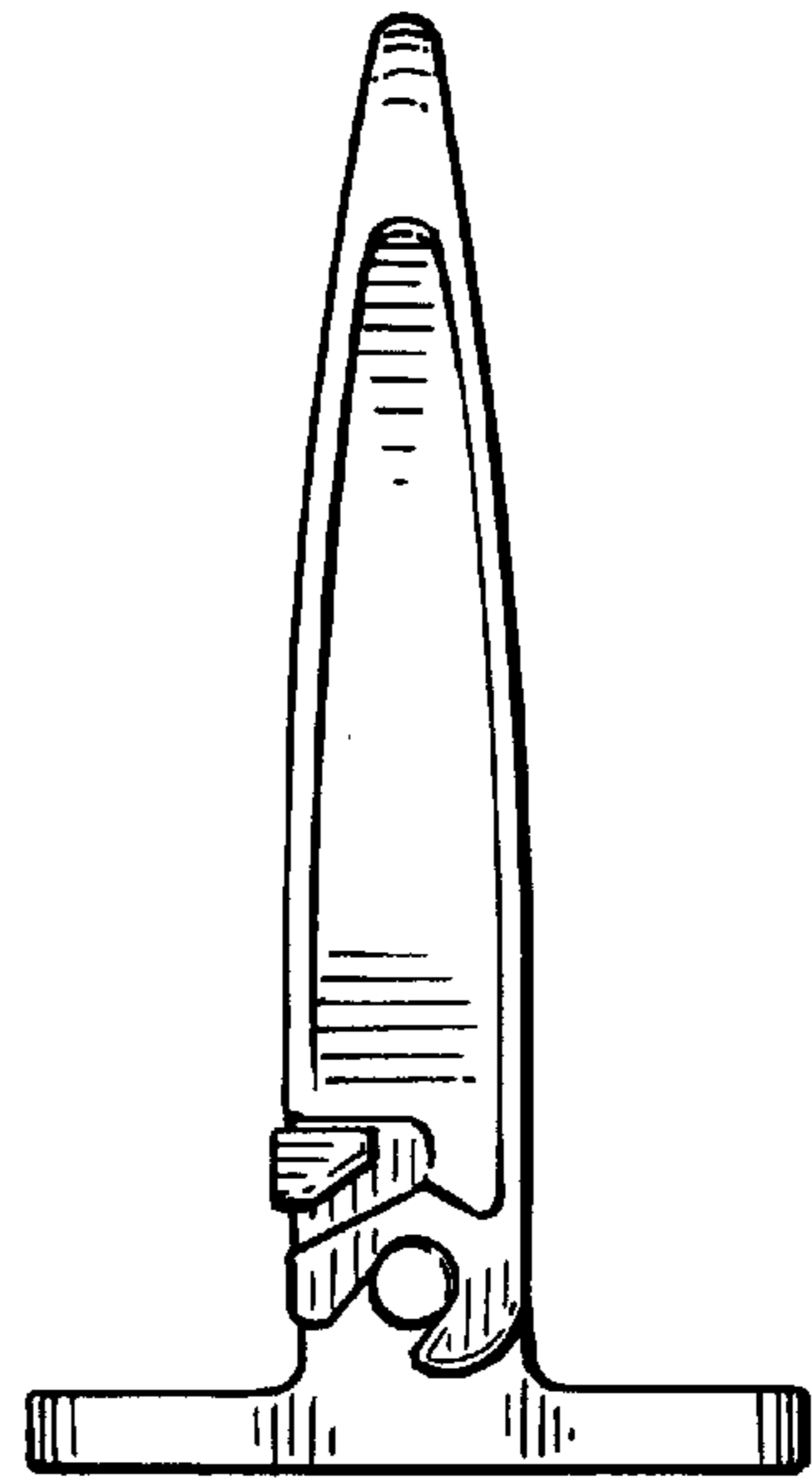


Fig. 6

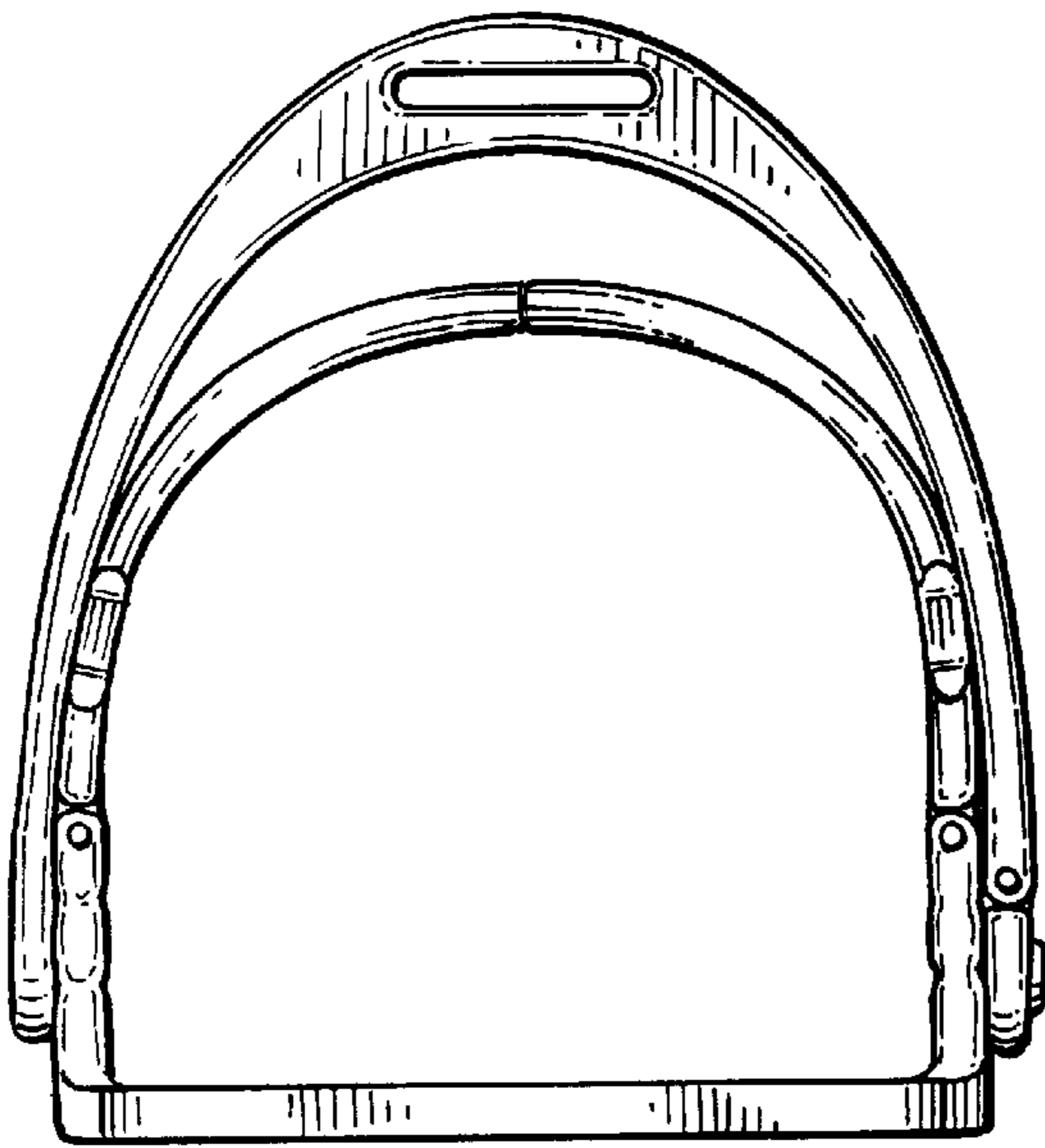


Fig. 4

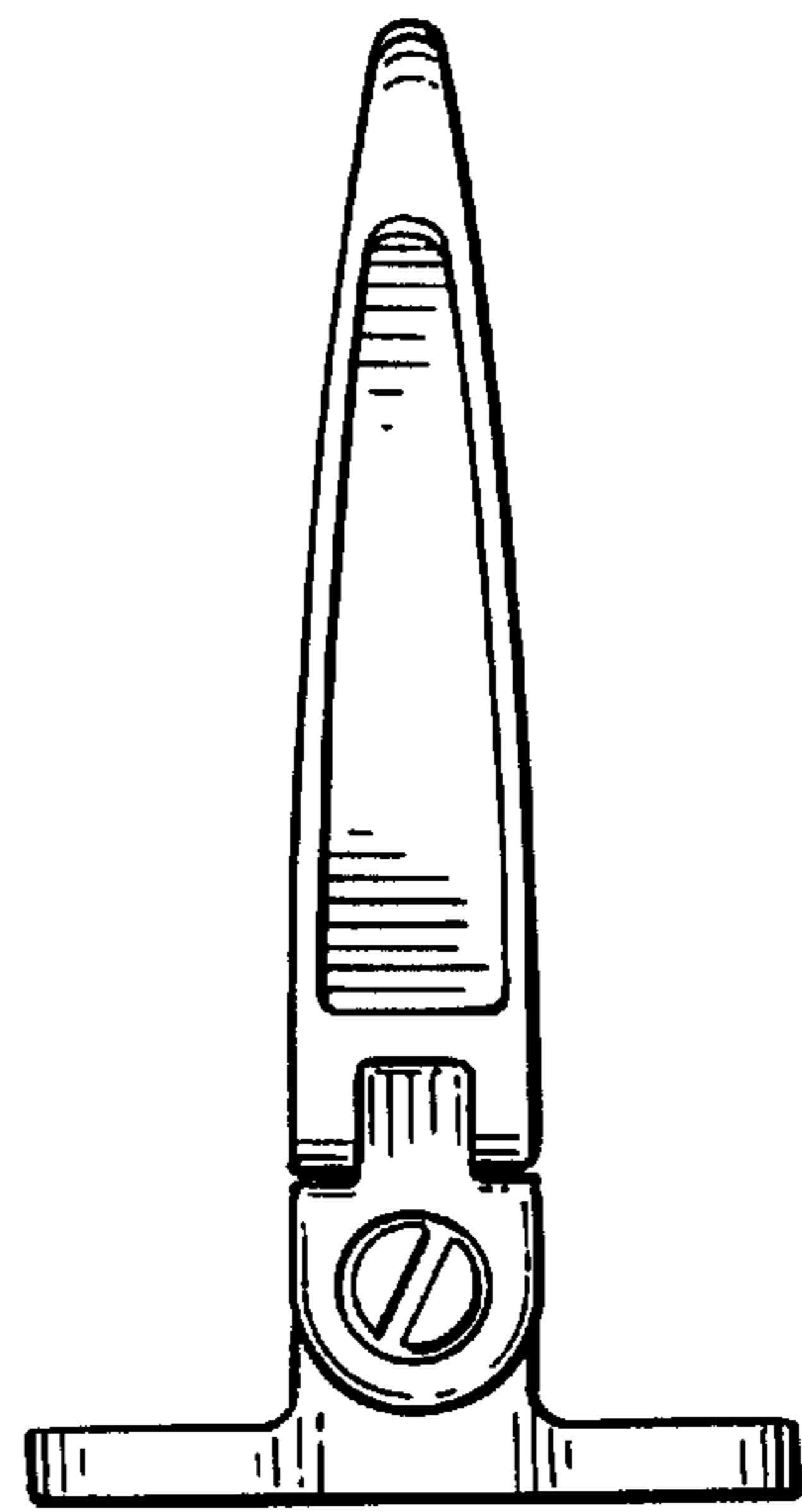


Fig. 5

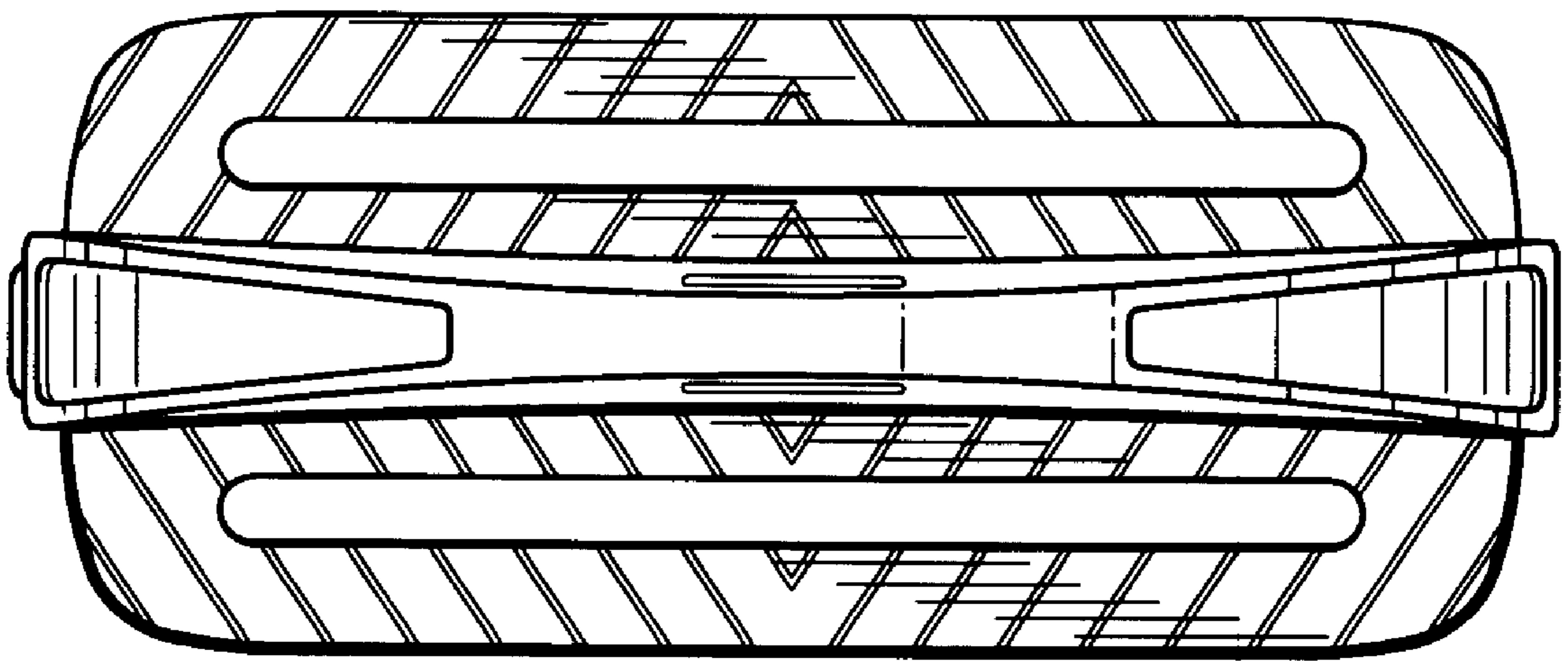


Fig. 7

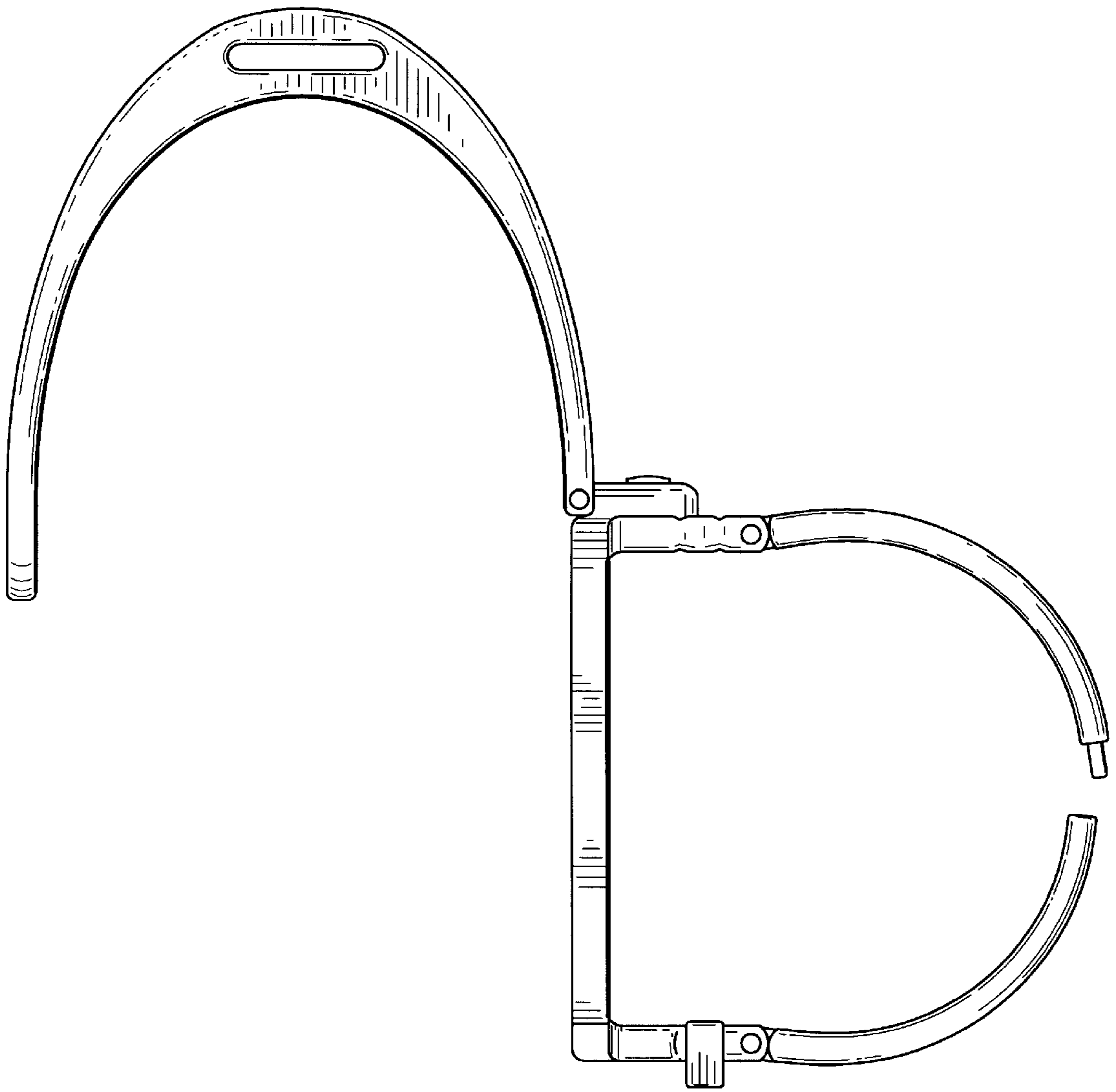


Fig. 8

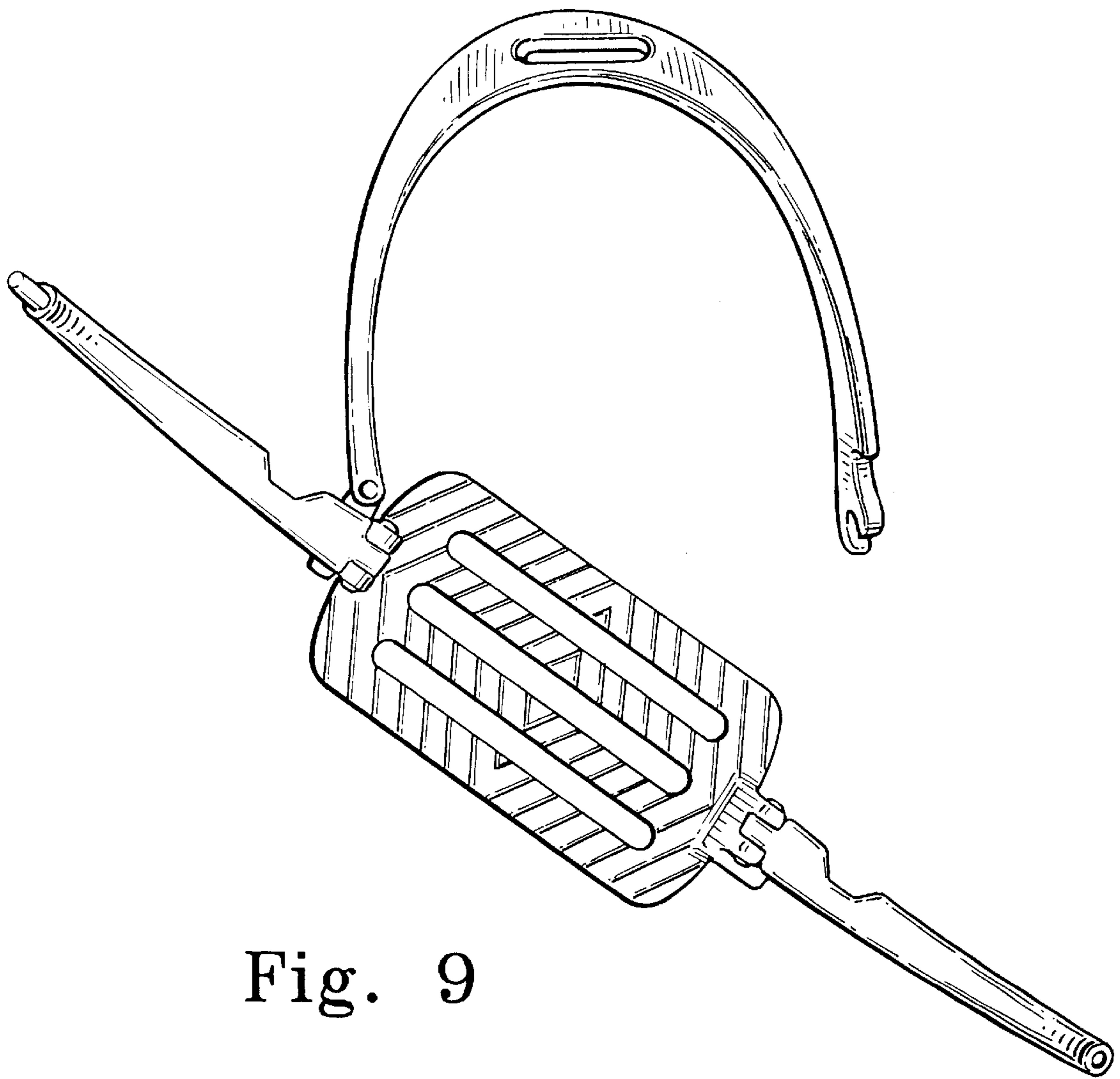


Fig. 9