



US00D415589S

United States Patent [19]

[11] **Patent Number: Des. 415,589**

Haslam et al.

[45] **Date of Patent: ** Oct. 19, 1999**

[54] **DECORATIVE LANTERN BASE**

[75] Inventors: **Gary M. Haslam**, Graham; **Suleyman O. Sumer**, Raleigh, both of N.C.

[73] Assignee: **Regent Lighting Corporation**, Burlington, N.C.

[**] Term: **14 Years**

[21] Appl. No.: **29/079,196**

[22] Filed: **Oct. 30, 1997**

Related U.S. Application Data

[62] Division of application No. 29/038,323, May 3, 1995, Pat. No. Des. 385,652.

[51] **LOC (6) Cl.** **26-99**

[52] **U.S. Cl.** **D26/142**

[58] **Field of Search** D26/67, 68, 69, D26/70, 71, 72, 80-92, 142, 149, 153; 362/147, 431, 432

[56] **References Cited**

PUBLICATIONS

Kichler Lighting catalog, p. 105, wall lantern #K9721, ceiling lamp box 1989.

Progress Lighting catalog, p. 3, wall lantern #P5937, ceiling lamp box, Jun. 1993.

Primary Examiner—Susan J. Lucas

Attorney, Agent, or Firm—Niro, Scavone, Haller & Niro

[57] **CLAIM**

The ornamental design for a decorative lantern base, as shown and described.

DESCRIPTION

FIG. 1 is a front elevational view of the decorative lantern base of the invention showing a first embodiment of my new design, with nonclaimed features to which the decorative lantern is attached being shown in broken lines for illustrative purposes only;

FIG. 2 is a top plan view of the decorative lantern base of FIG. 1 taken in the direction of line 2—2;

FIG. 3 is a bottom plan view of the decorative lantern base of FIG. 1 taken in the direction of line 3—3;

FIG. 4 is a partial front elevational view of a second embodiment of the decorative lantern base of the invention;

FIG. 5 is a top plan view of the embodiment of FIG. 6;

FIG. 6 is a bottom plan view thereof;

FIG. 7 is a left side elevational view thereof;

FIG. 8 is a rear elevational view thereof;

FIG. 9 is a partial front elevational view of a third embodiment of the decorative lantern base of the invention;

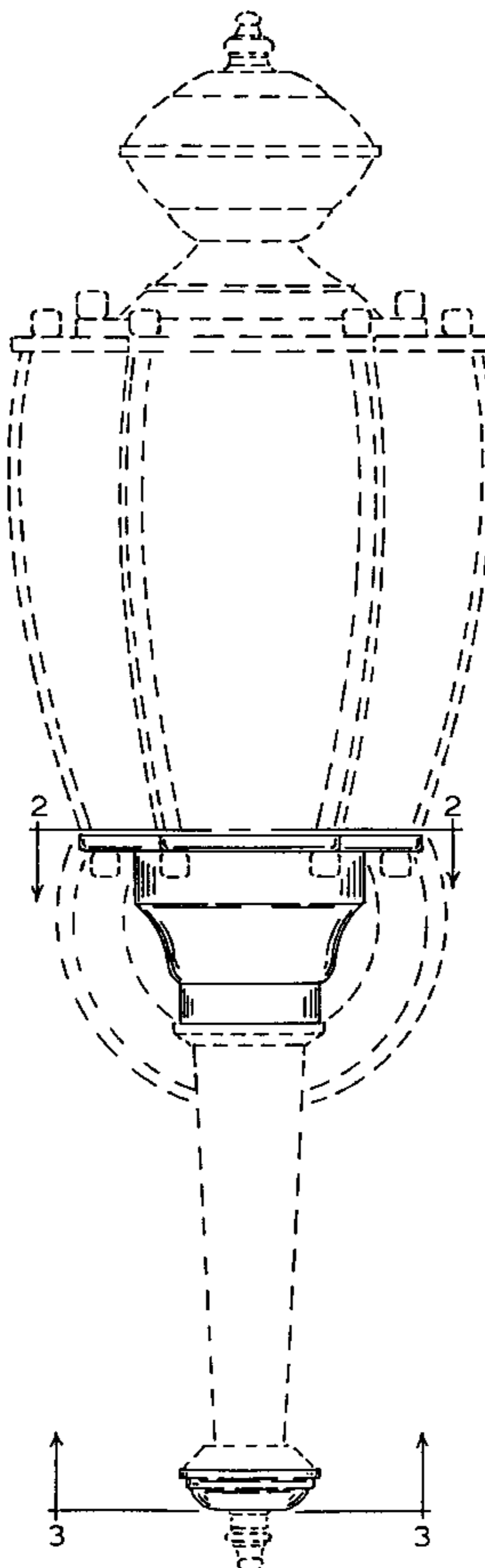
FIG. 10 is a top plan view of the embodiment of FIG. 11;

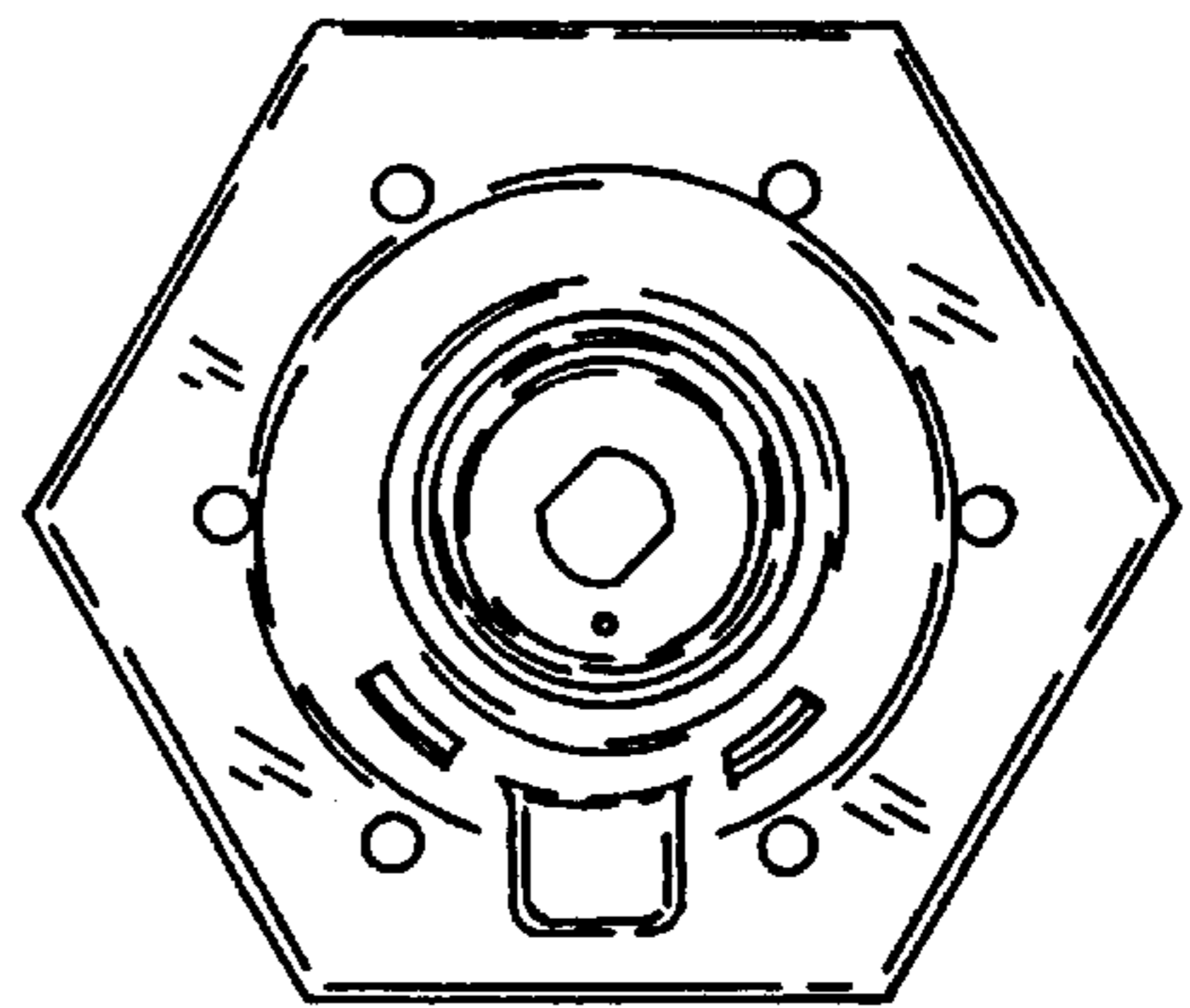
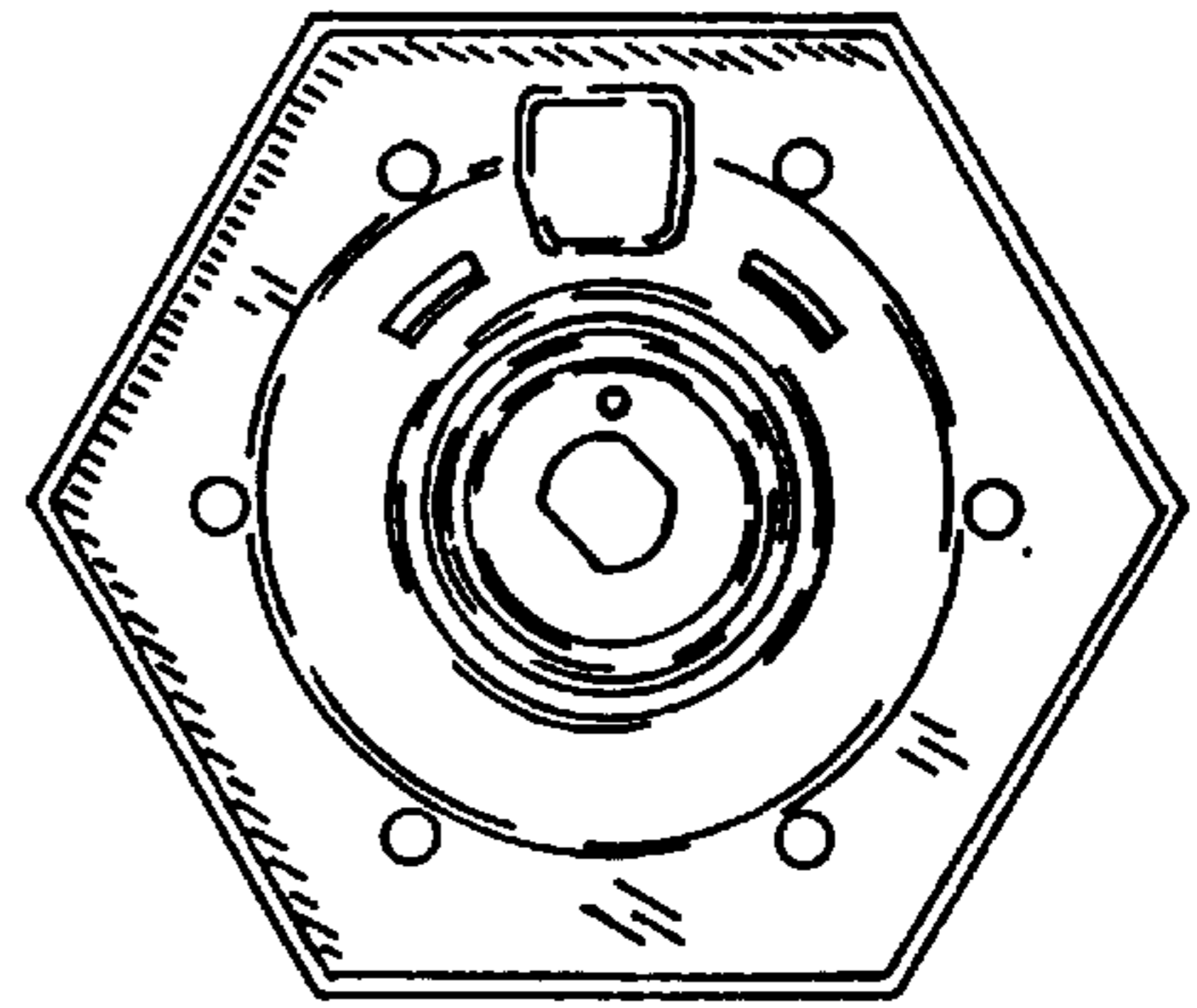
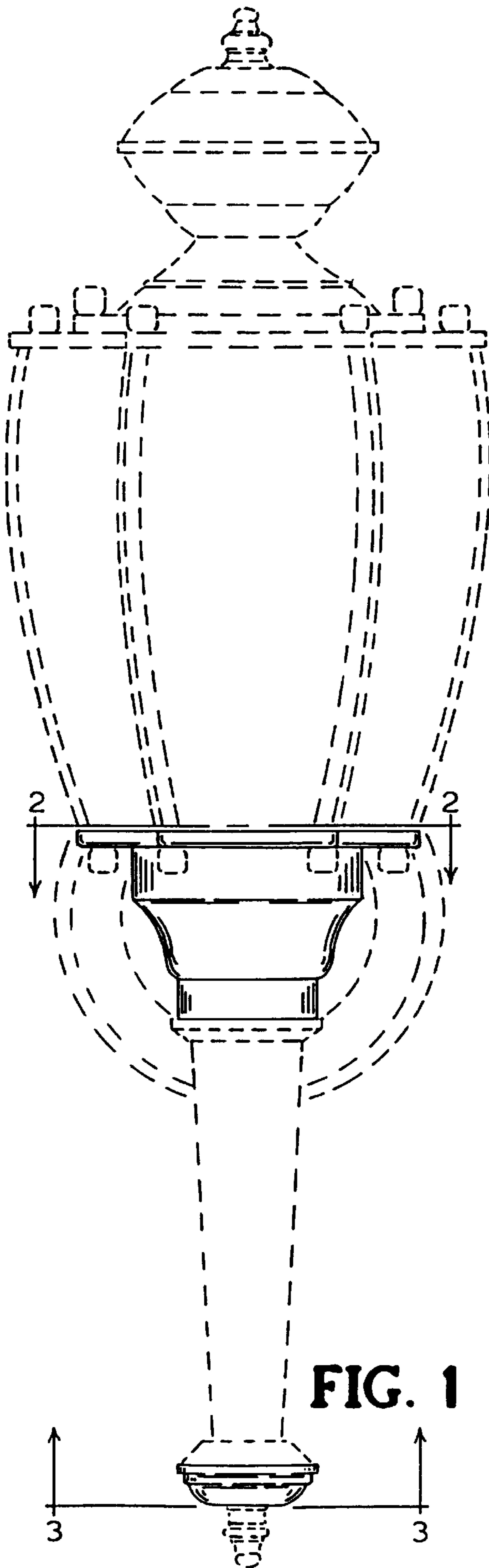
FIG. 11 is a bottom plan view thereof;

FIG. 12 is a left side elevational view thereof; and,

FIG. 13 is a rear elevational view thereof.

1 Claim, 2 Drawing Sheets





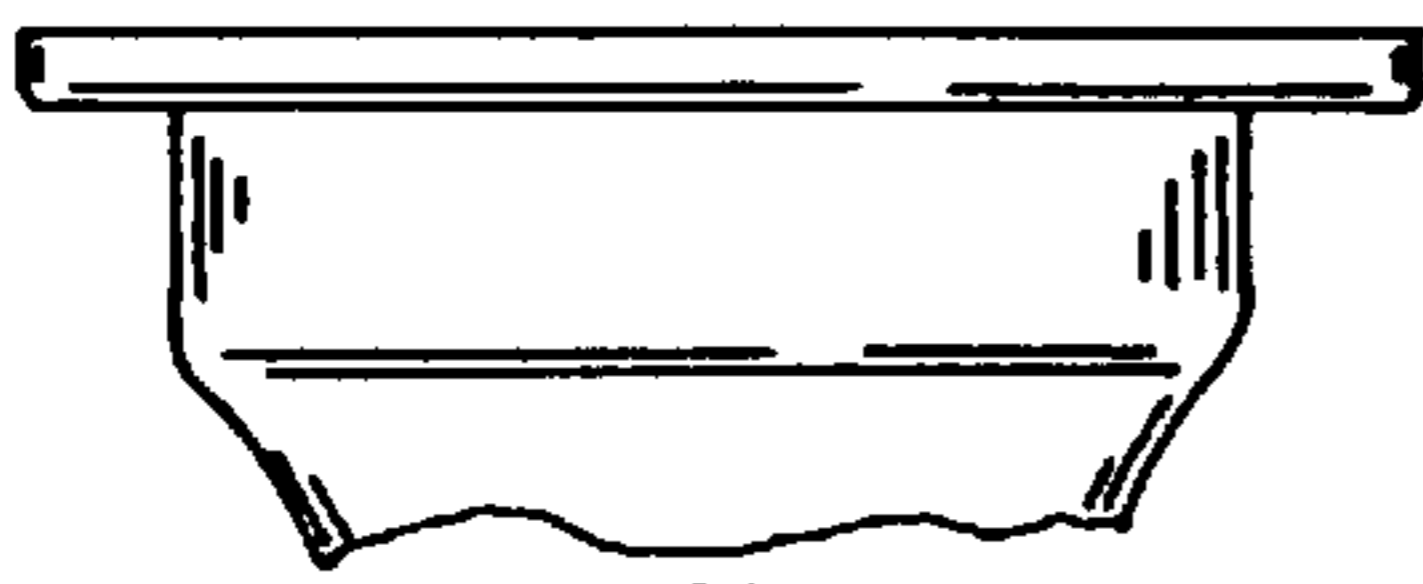


FIG. 4

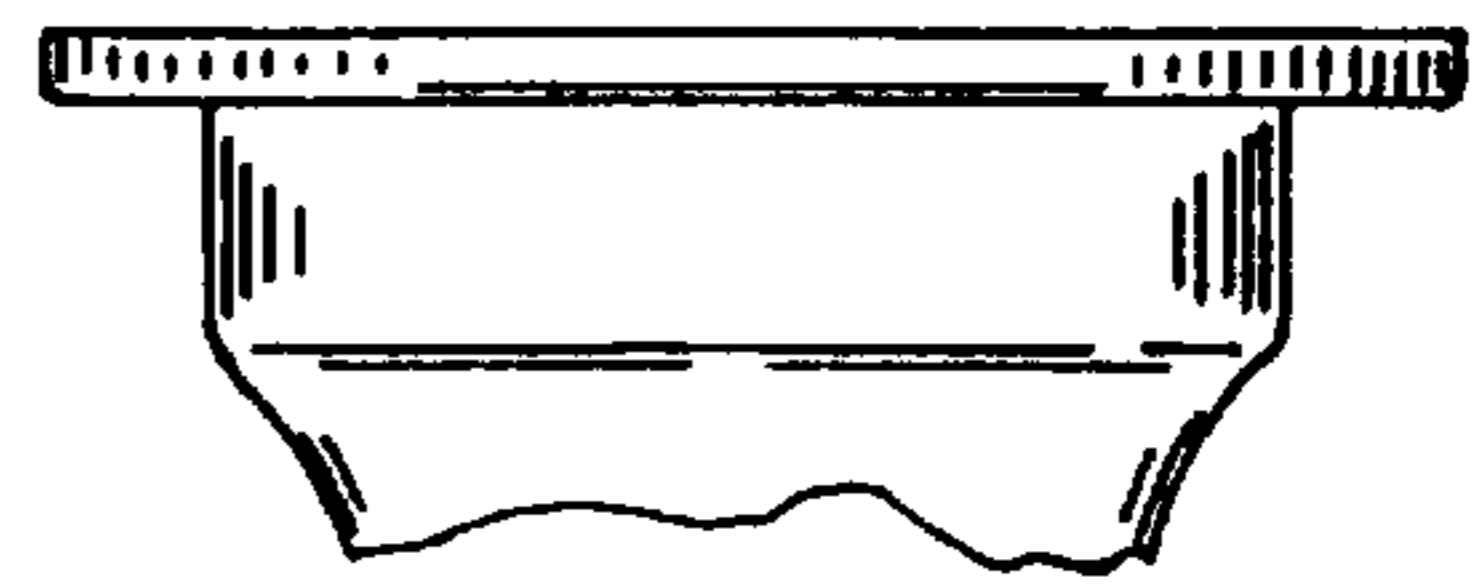


FIG. 9

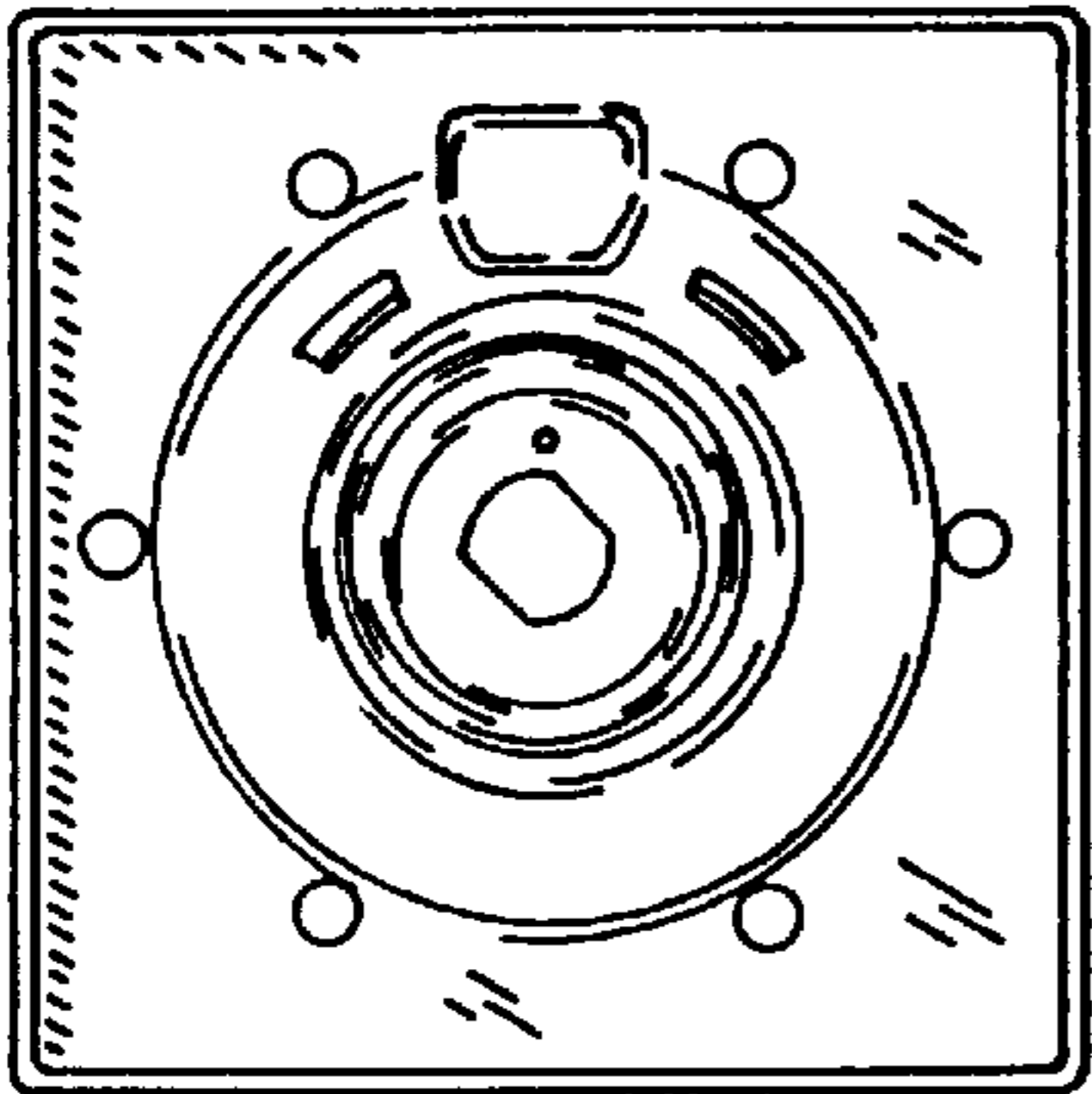


FIG. 5

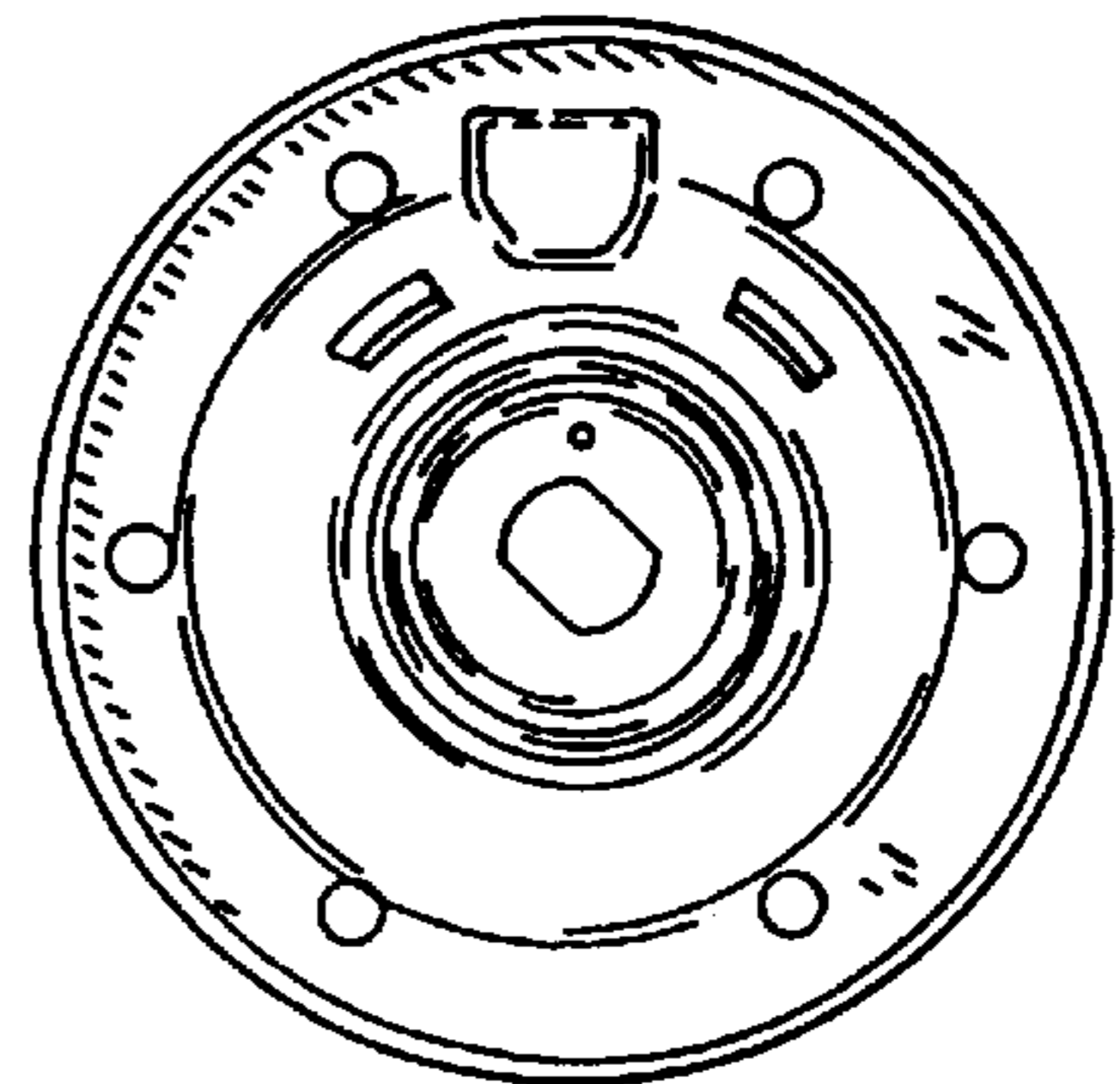


FIG. 10

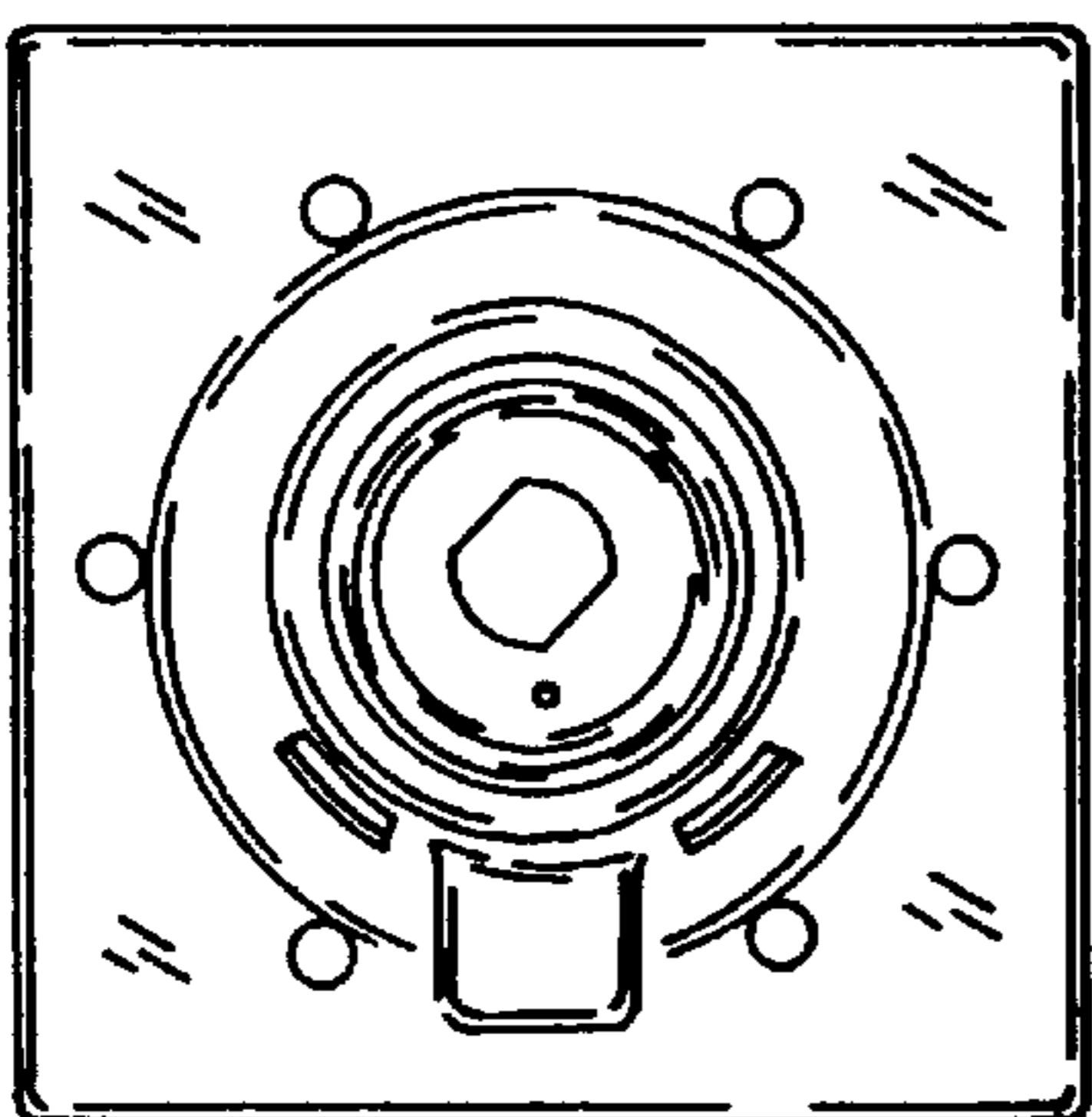


FIG. 6

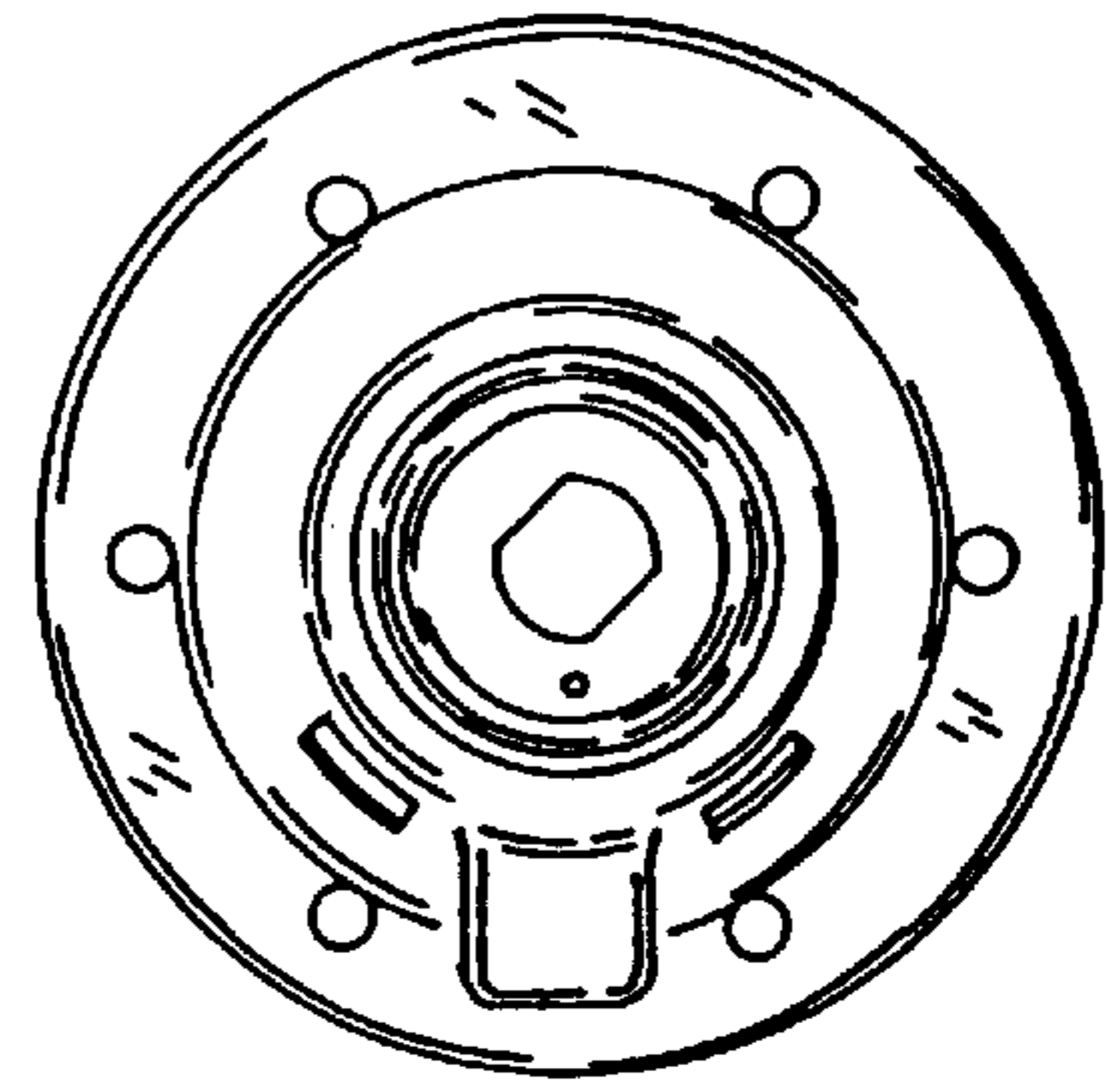


FIG. 11

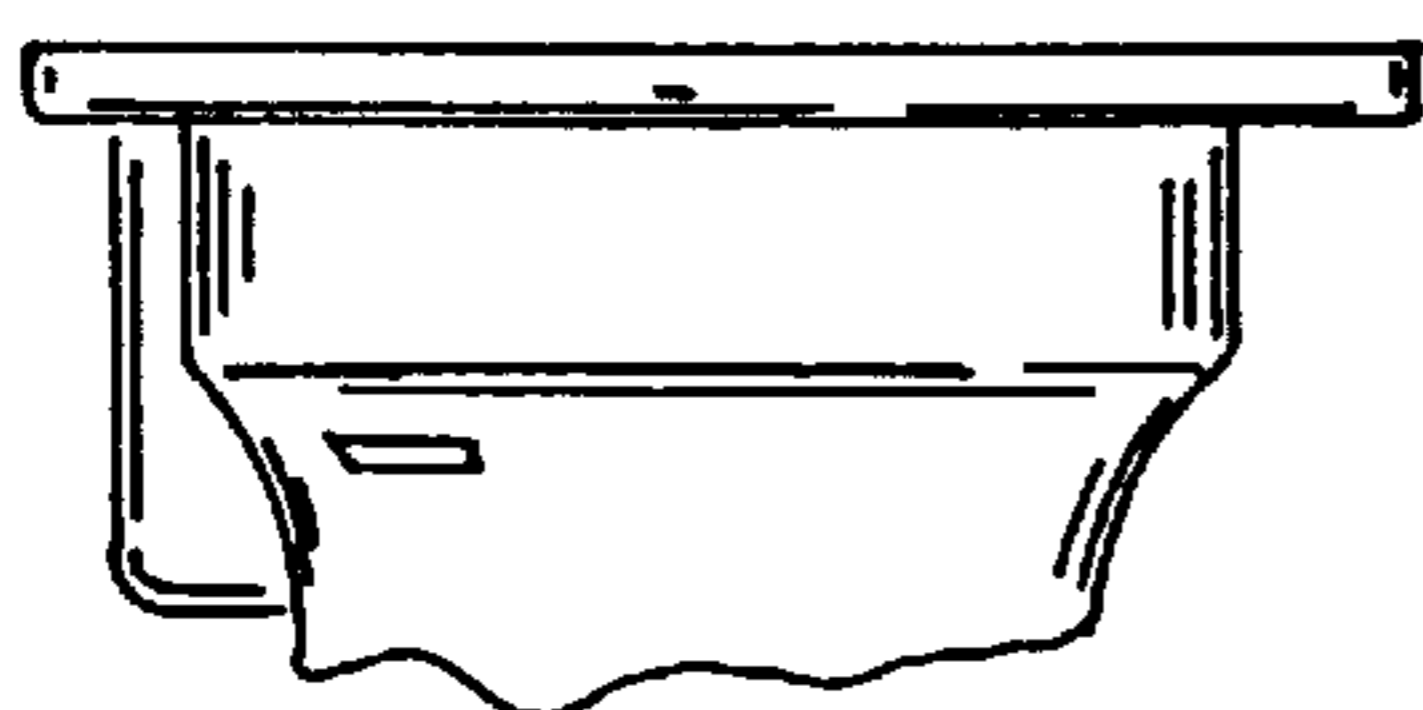


FIG. 7

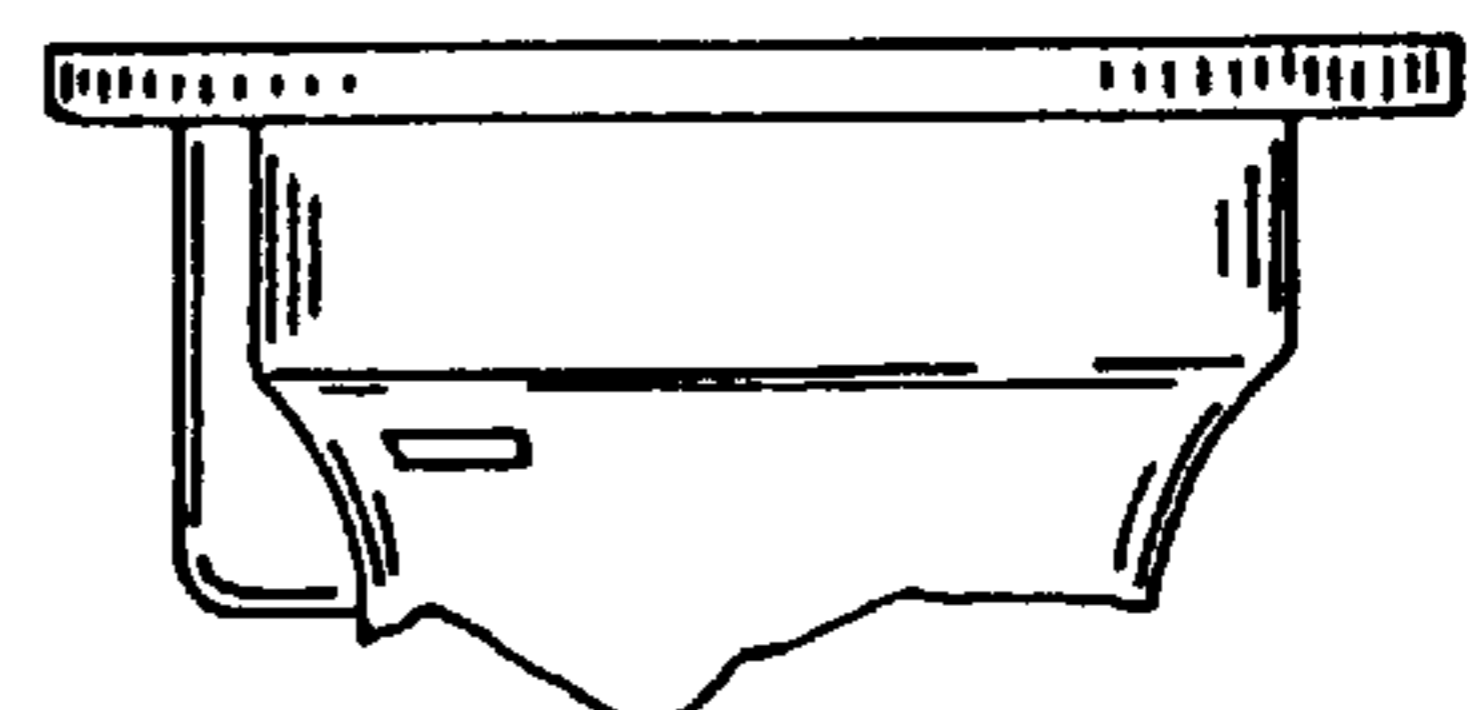


FIG. 12

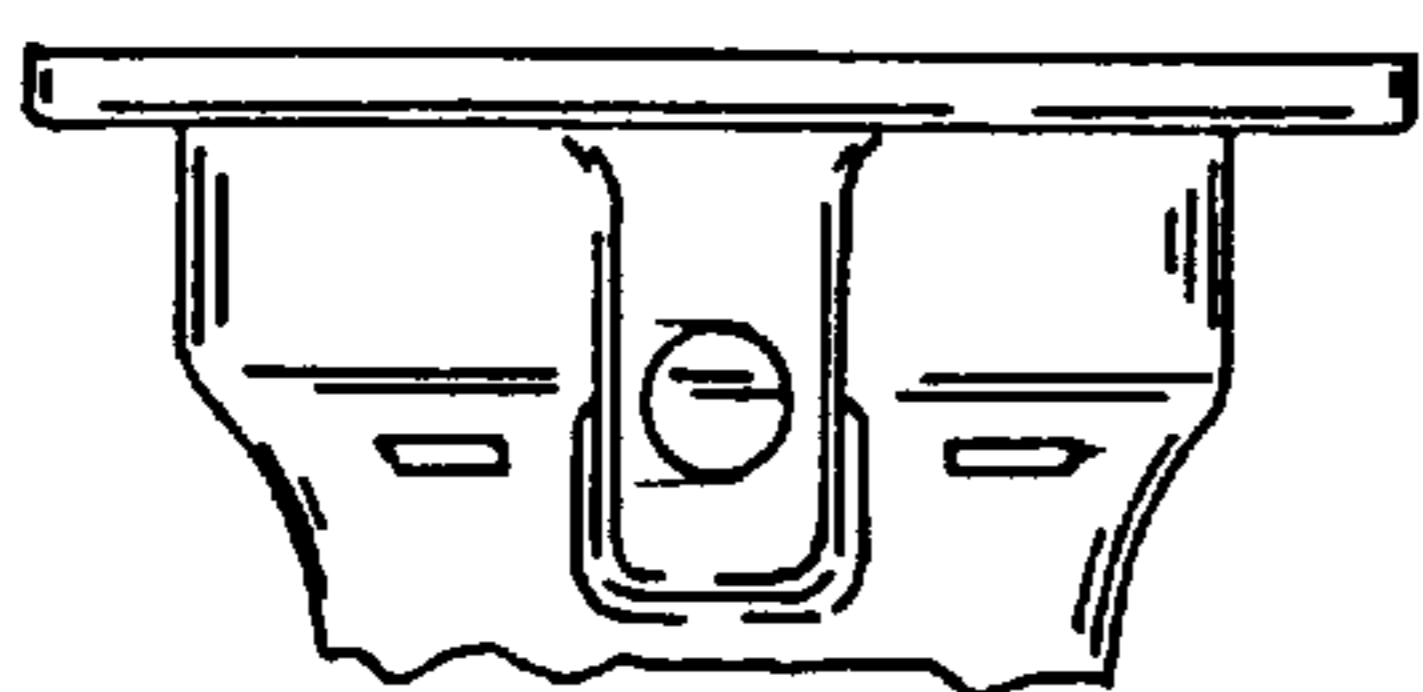


FIG. 8

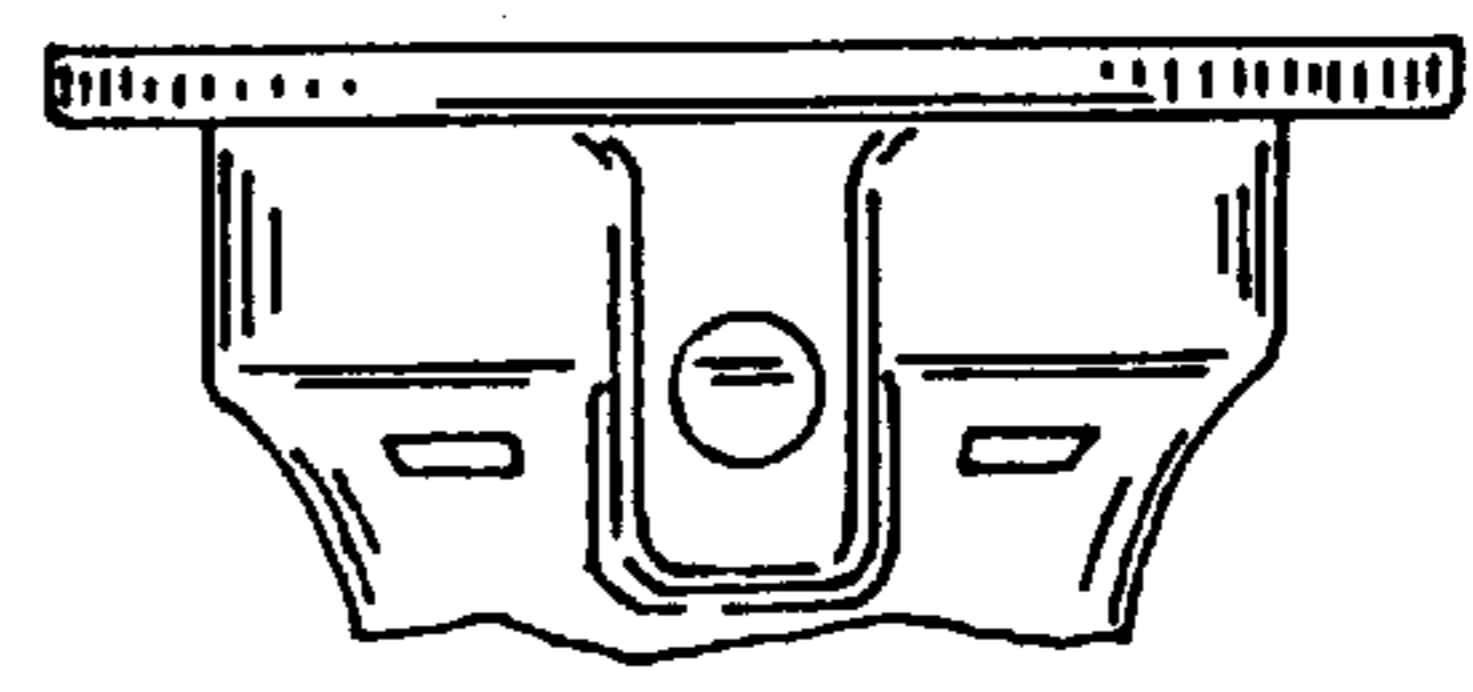


FIG. 13