



US00D415588S

United States Patent [19]

Hann

[11] **Patent Number: Des. 415,588**

[45] **Date of Patent: ** Oct. 19, 1999**

[54] **MOTORCYCLE WARNING LIGHTS VISOR**

D. 347,907 6/1994 Stahel .

[76] Inventor: **Eric S. Hann**, 10508 S. Aspen Dr.,
Palos Hills, Ill. 60465

Primary Examiner—Marcus A. Jackson

[**] Term: **14 Years**

[57] **CLAIM**

The ornamental design for a motorcycle warning lights visor, as shown and described.

[21] Appl. No.: **29/078,543**

[22] Filed: **Oct. 21, 1997**

DESCRIPTION

[51] **LOC (6) Cl.** **26-99**

FIG. 1 is a perspective view as seen from the front, top and side of a motorcycle warning lights visor;

[52] **U.S. Cl.** **D26/139**

FIG. 2 is a top view thereof;

[58] **Field of Search** D26/28, 34, 36,
D26/118, 119, 138, 139; 362/82, 83, 344,
359, 376, 61, 64, 72, 80

FIG. 3 is a side elevation thereof;

FIG. 4 is a bottom view thereof;

FIG. 5 is a side elevation view (from a side opposite that of version "A" FIG. 3) thereof;

FIG. 6 is a front elevation view thereof; and,

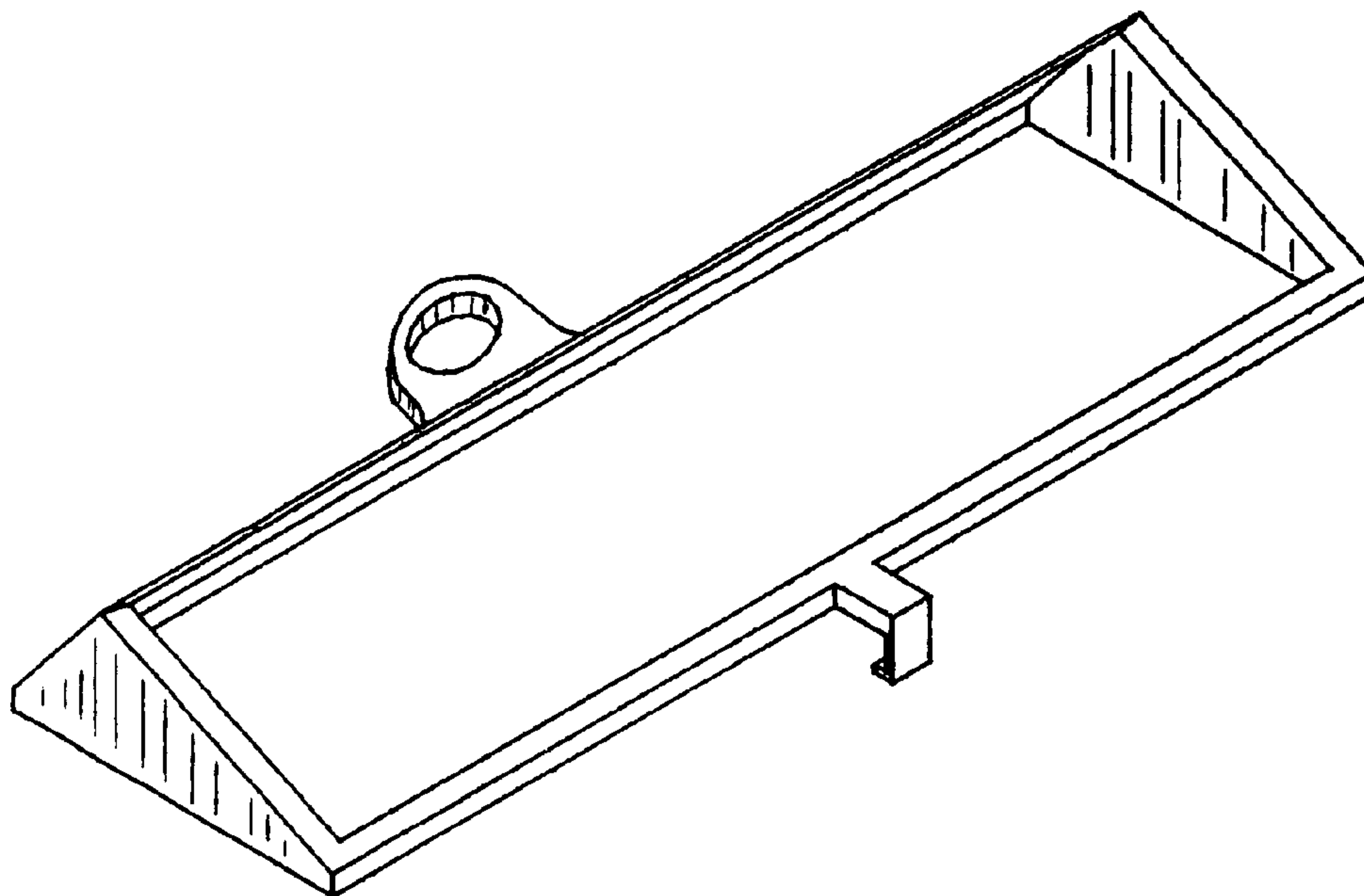
FIG. 7 is a rear elevation view thereof.

[56] **References Cited**

U.S. PATENT DOCUMENTS

D. 276,376 11/1984 Stahel D26/139

1 Claim, 2 Drawing Sheets



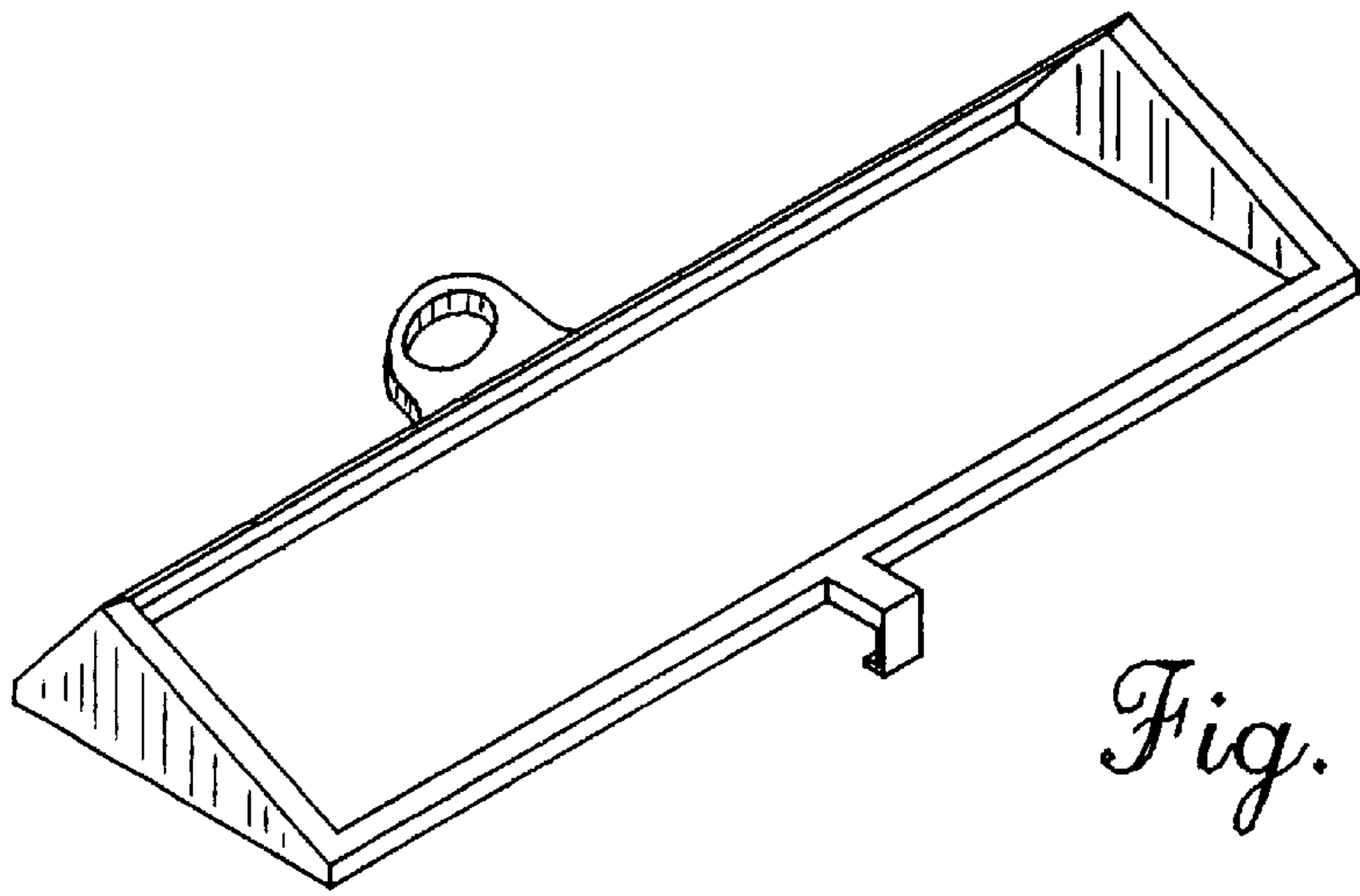


Fig. 1

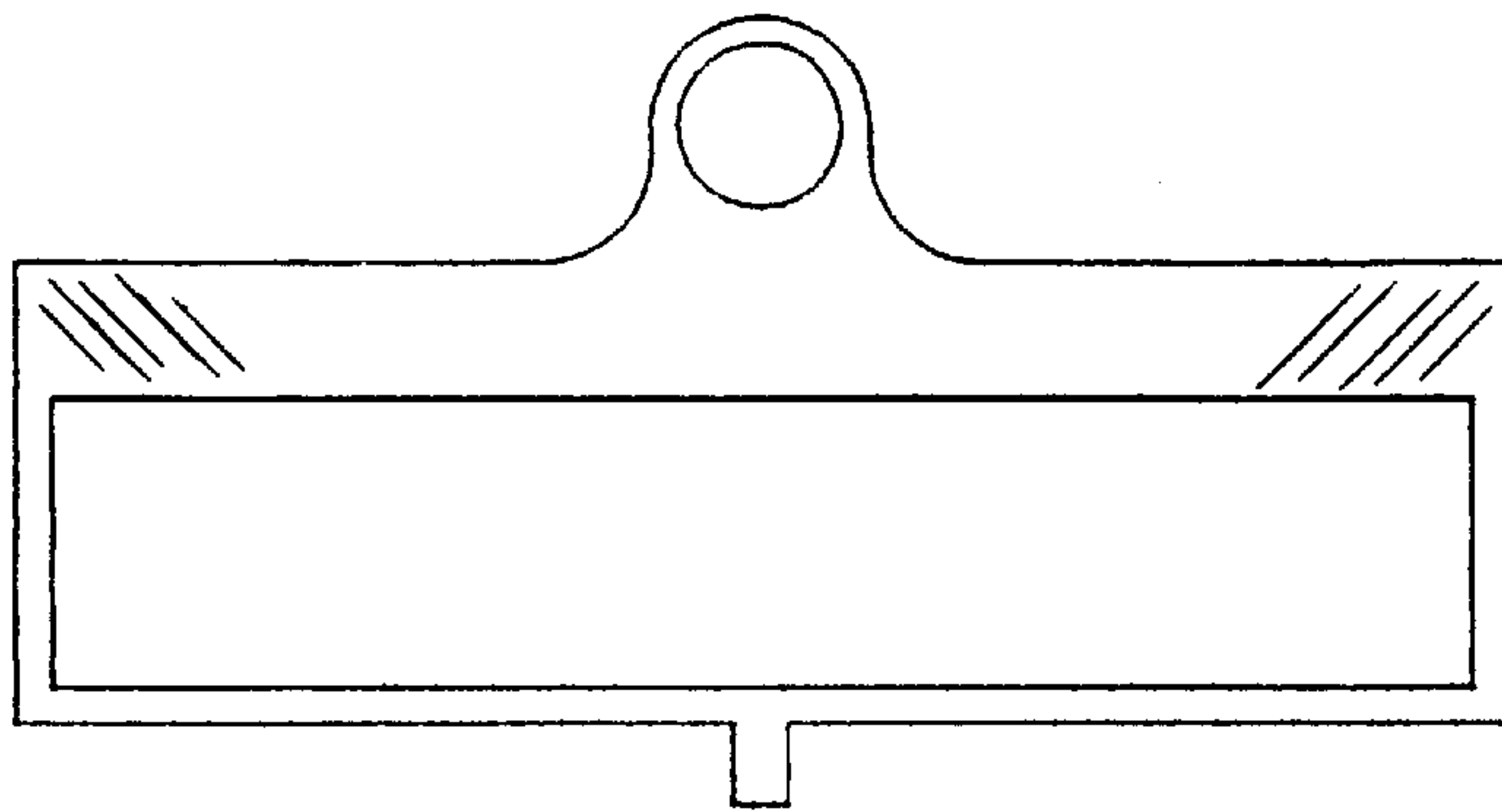


Fig. 2

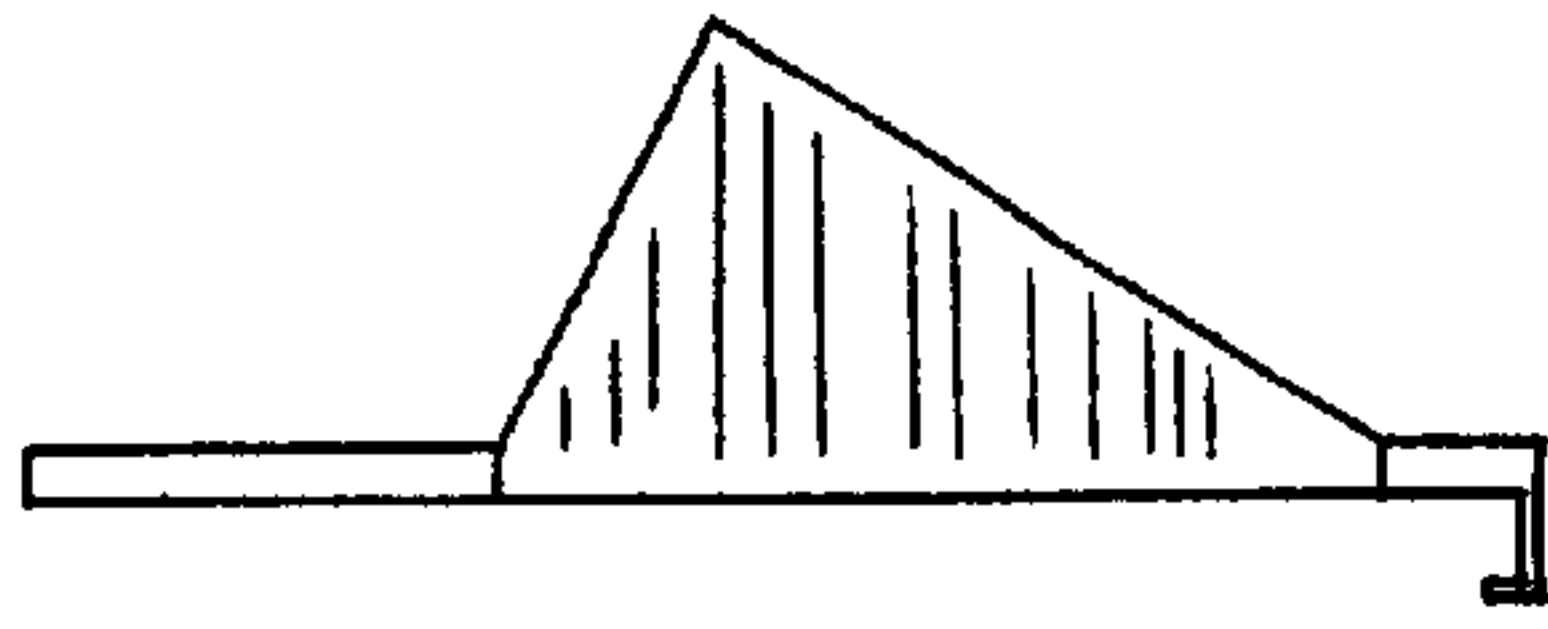


Fig. 3

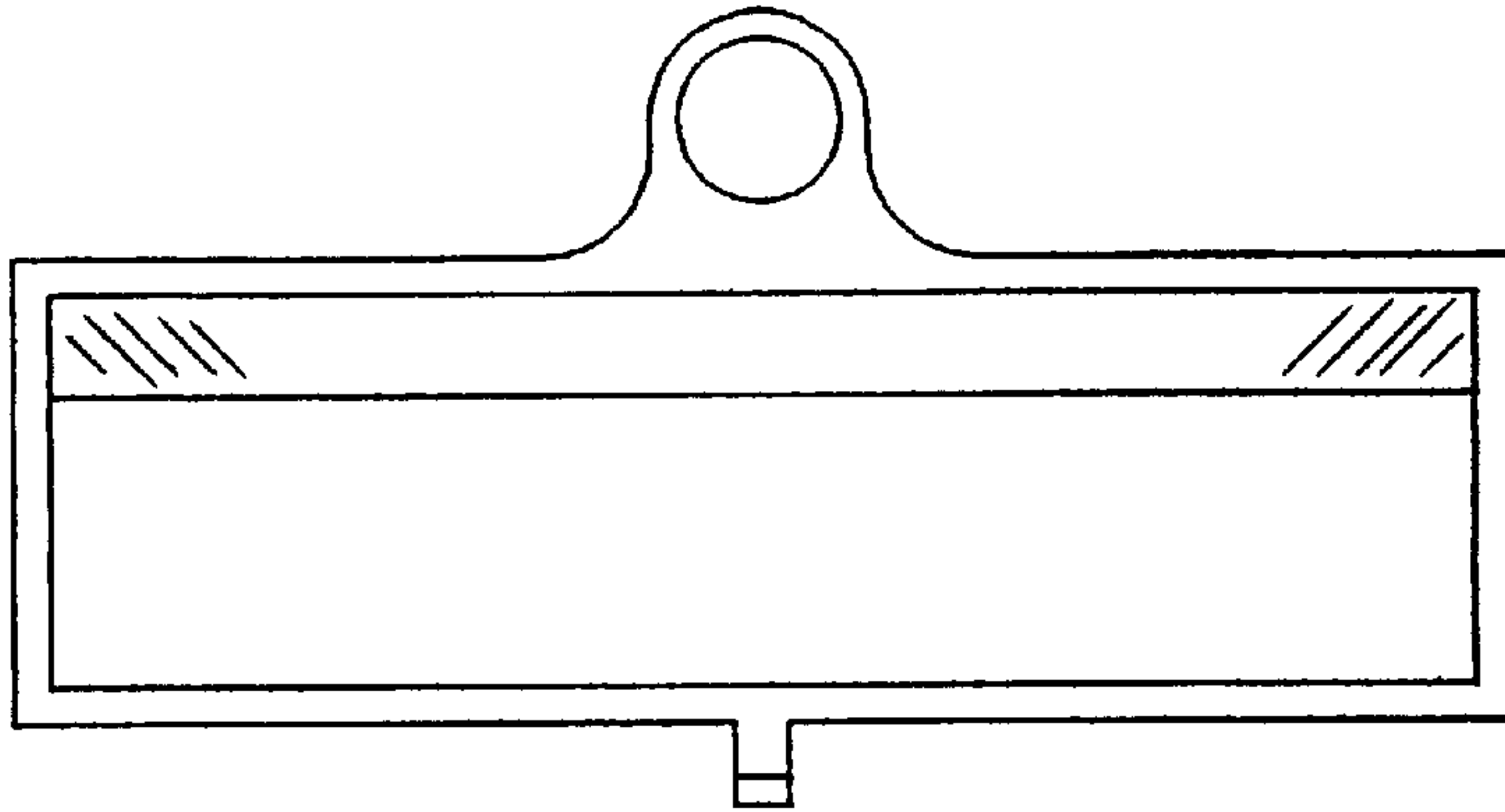


Fig. 4

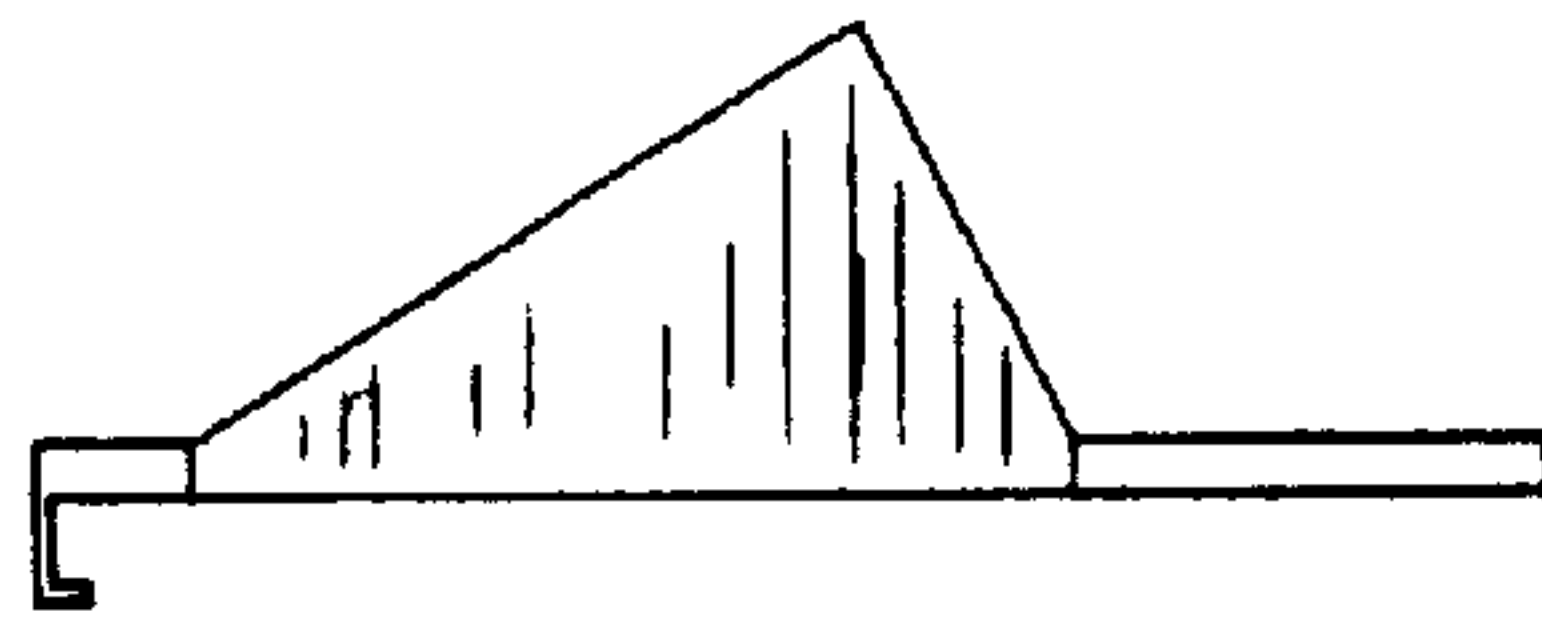


Fig. 5

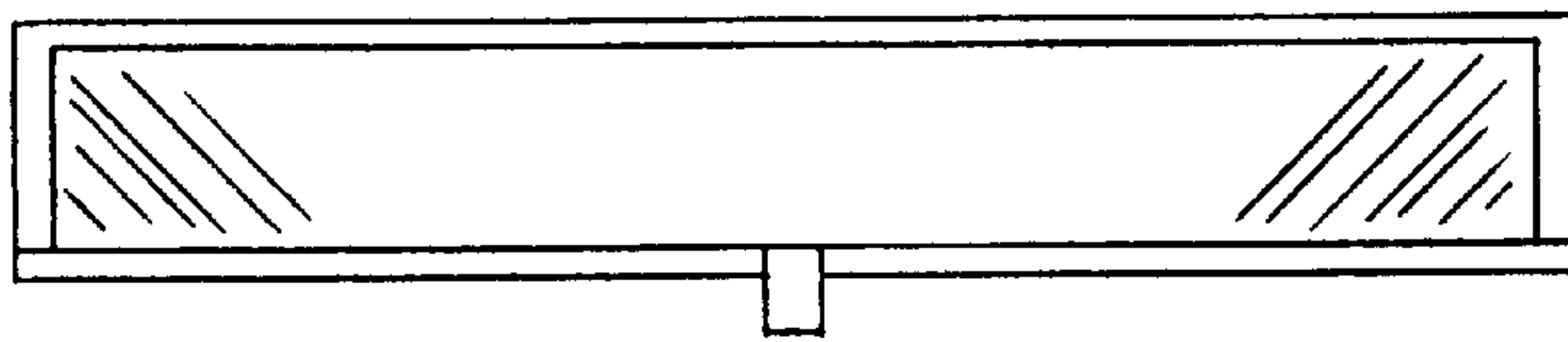


Fig. 6

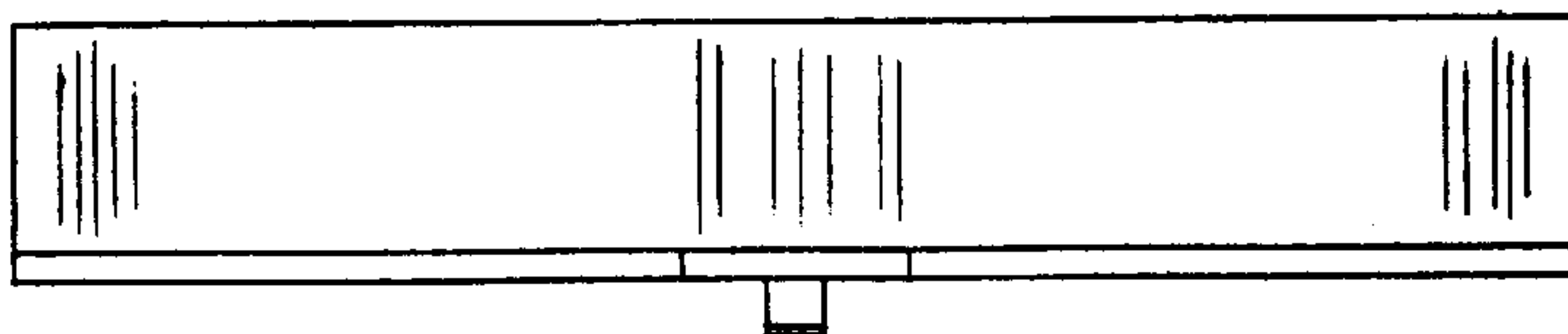


Fig. 7