



US00D415587S

United States Patent [19]
Chiang

[11] **Patent Number: Des. 415,587**

[45] **Date of Patent: ** Oct. 19, 1999**

[54] **WALL MOUNTED LIGHT**

[76] Inventor: **Thomas Chiang**, 28 W. 335 Picardy Ct., Winfield, Ill. 60190

[**] Term: **14 Years**

[21] Appl. No.: **29/089,842**

[22] Filed: **Jun. 24, 1998**

[51] **LOC (6) Cl.** **26-05**

[52] **U.S. Cl.** **D26/87; D26/73**

[58] **Field of Search** **D26/72, 73, 85, D26/87, 92, 91; 362/147, 432, 404, 410, 414, 806**

[56] **References Cited**

U.S. PATENT DOCUMENTS

3,427,446 2/1969 Katavolos et al. 362/432 X

OTHER PUBLICATIONS

Progress lighting catalog, p. 88, 1990.

Primary Examiner—Susan J. Lucas

Attorney, Agent, or Firm—Robert L. Marsh

[57] **CLAIM**

The ornamental design for a wall mounted light, as shown and described.

DESCRIPTION

FIG. 1 is a front view thereof;

FIG. 2 is a rear view thereof taken through line 2—2 of FIG. 3.

FIG. 3 is a right side view thereof;

FIG. 4 is a left side view thereof;

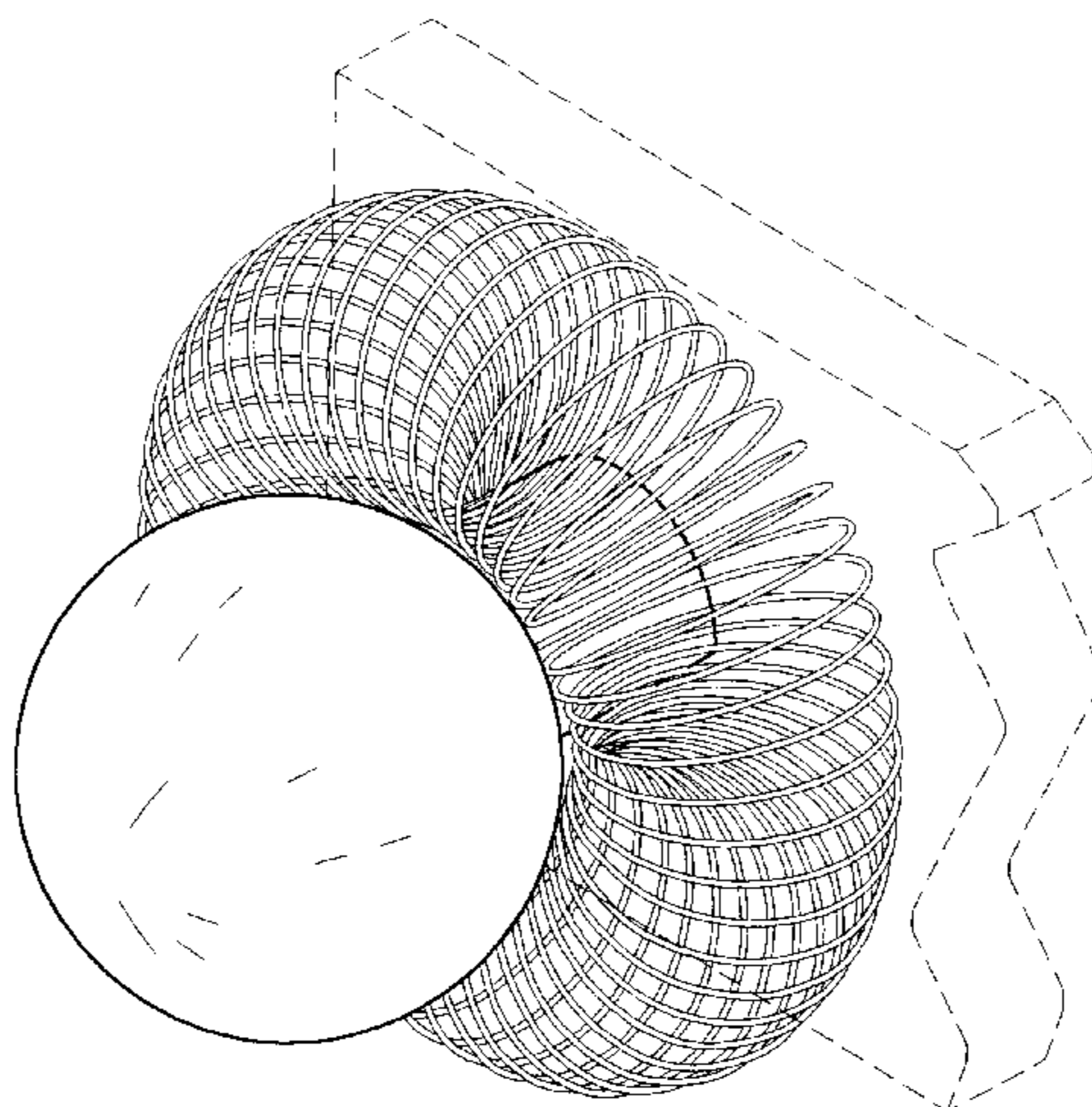
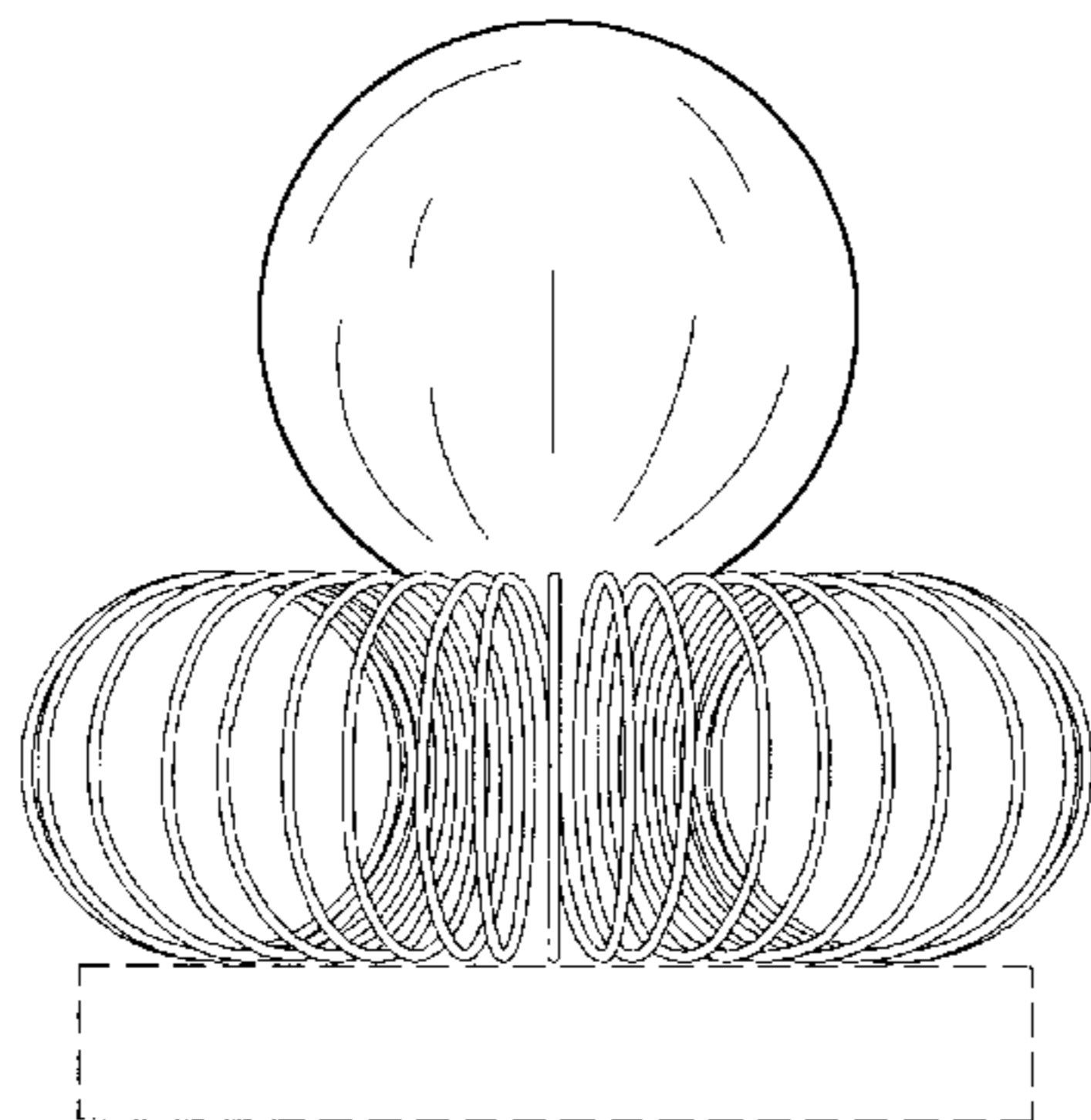
FIG. 5 is a top view thereof;

FIG. 6 is a bottom view thereof; and,

FIG. 7 is a isometric view thereof.

The broken lines are shown for illustrative purposes only and form no part of the claimed design.

1 Claim, 2 Drawing Sheets



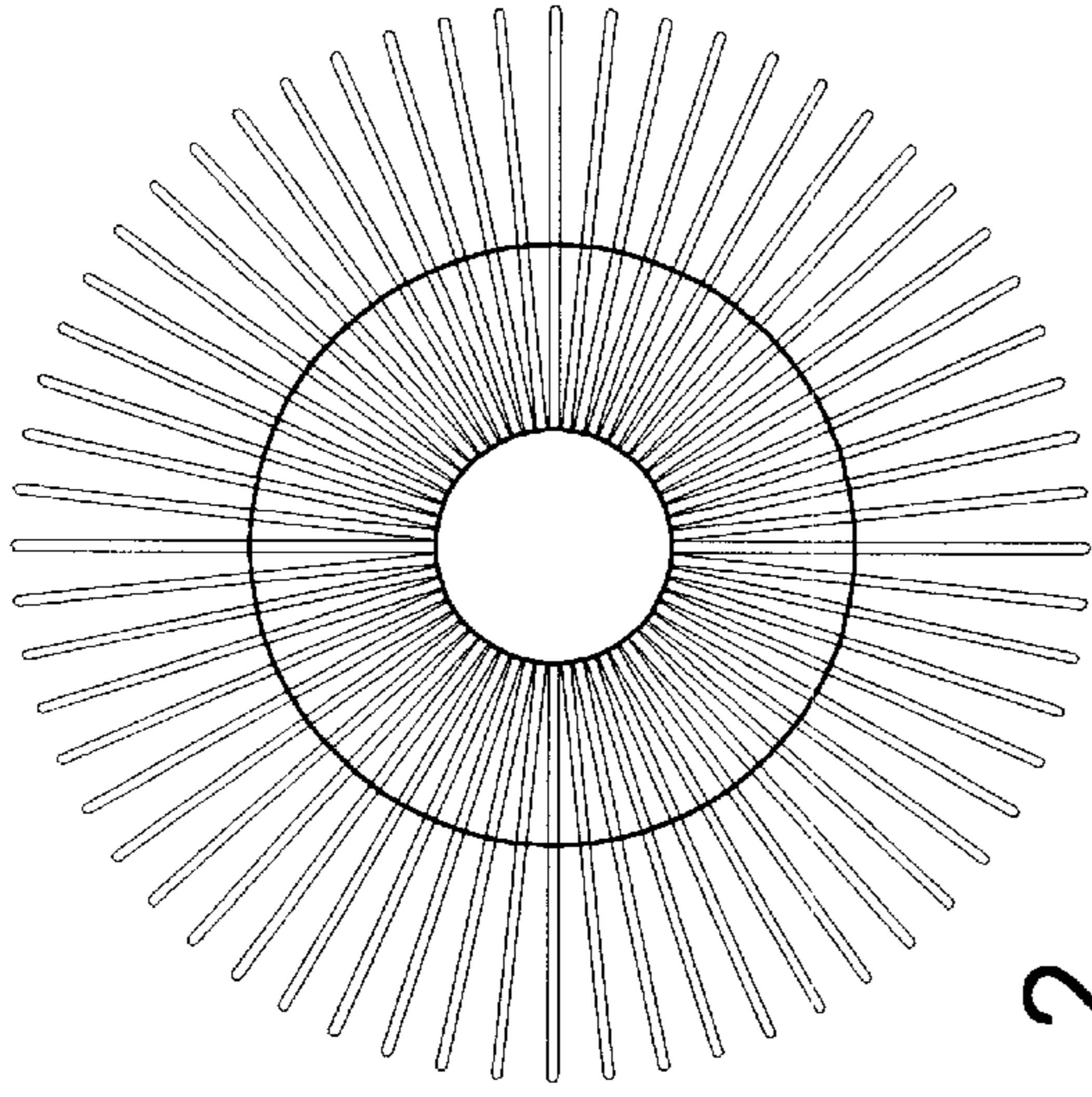


FIG. 2

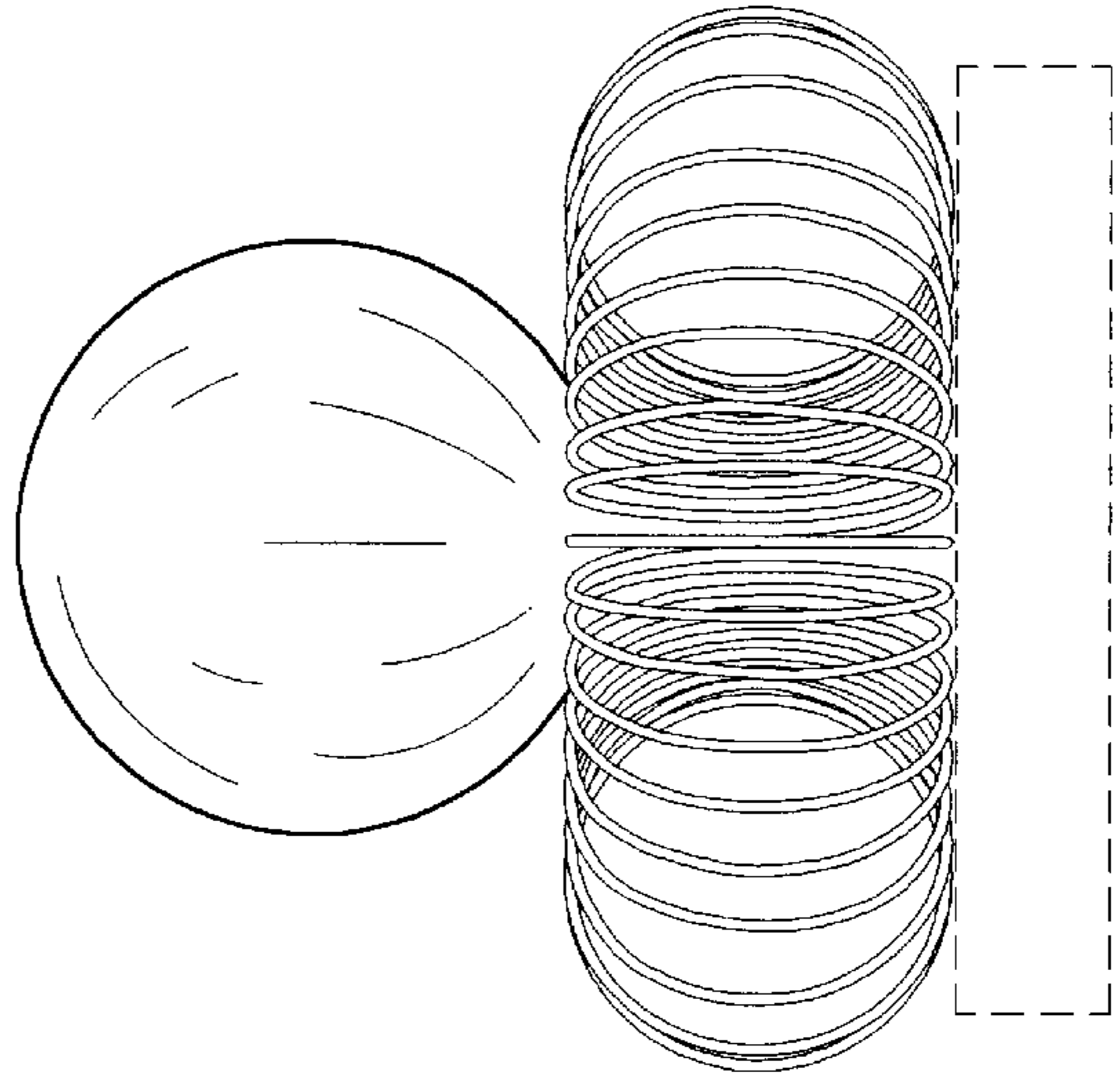


FIG. 4

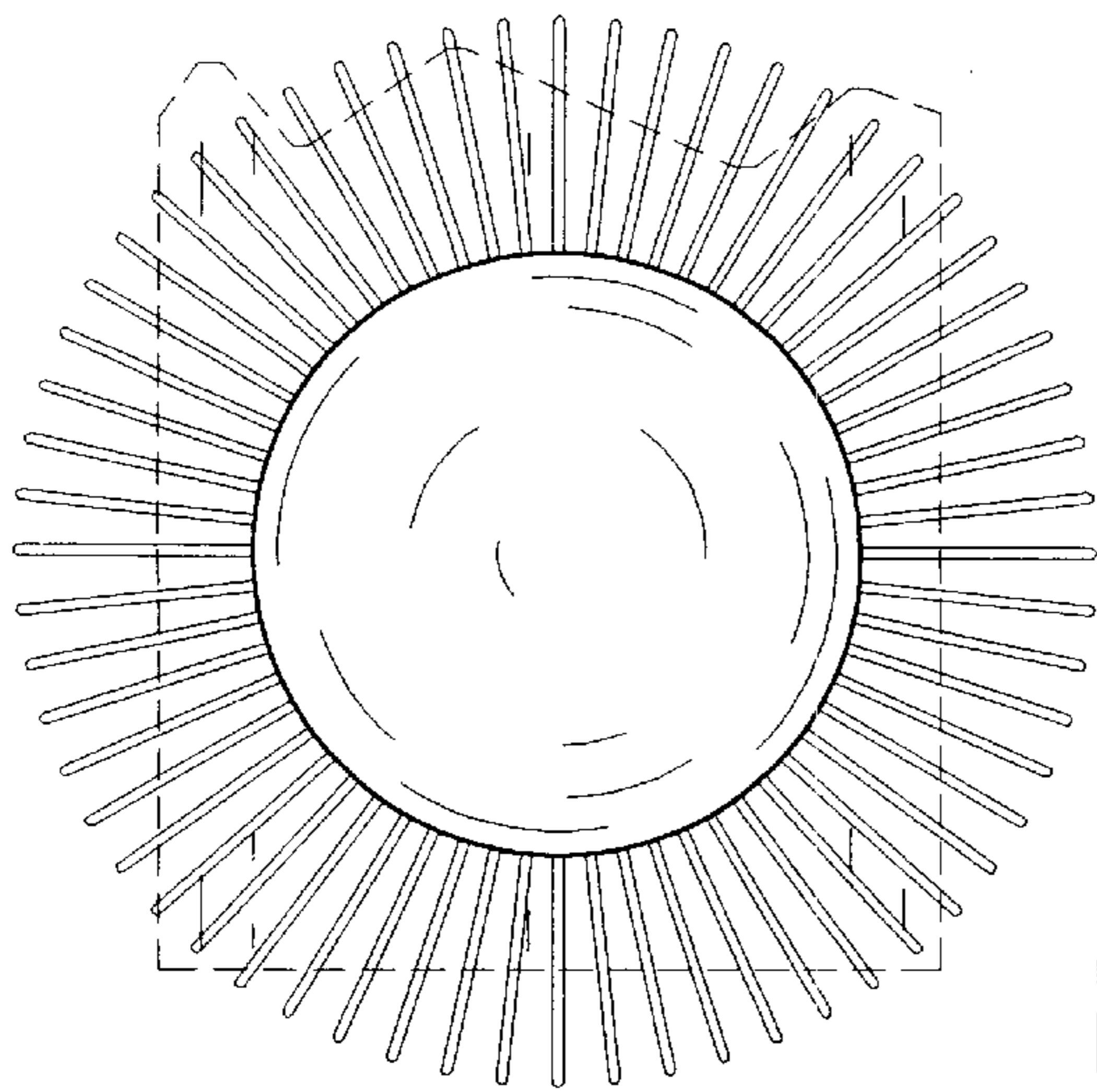


FIG. 1

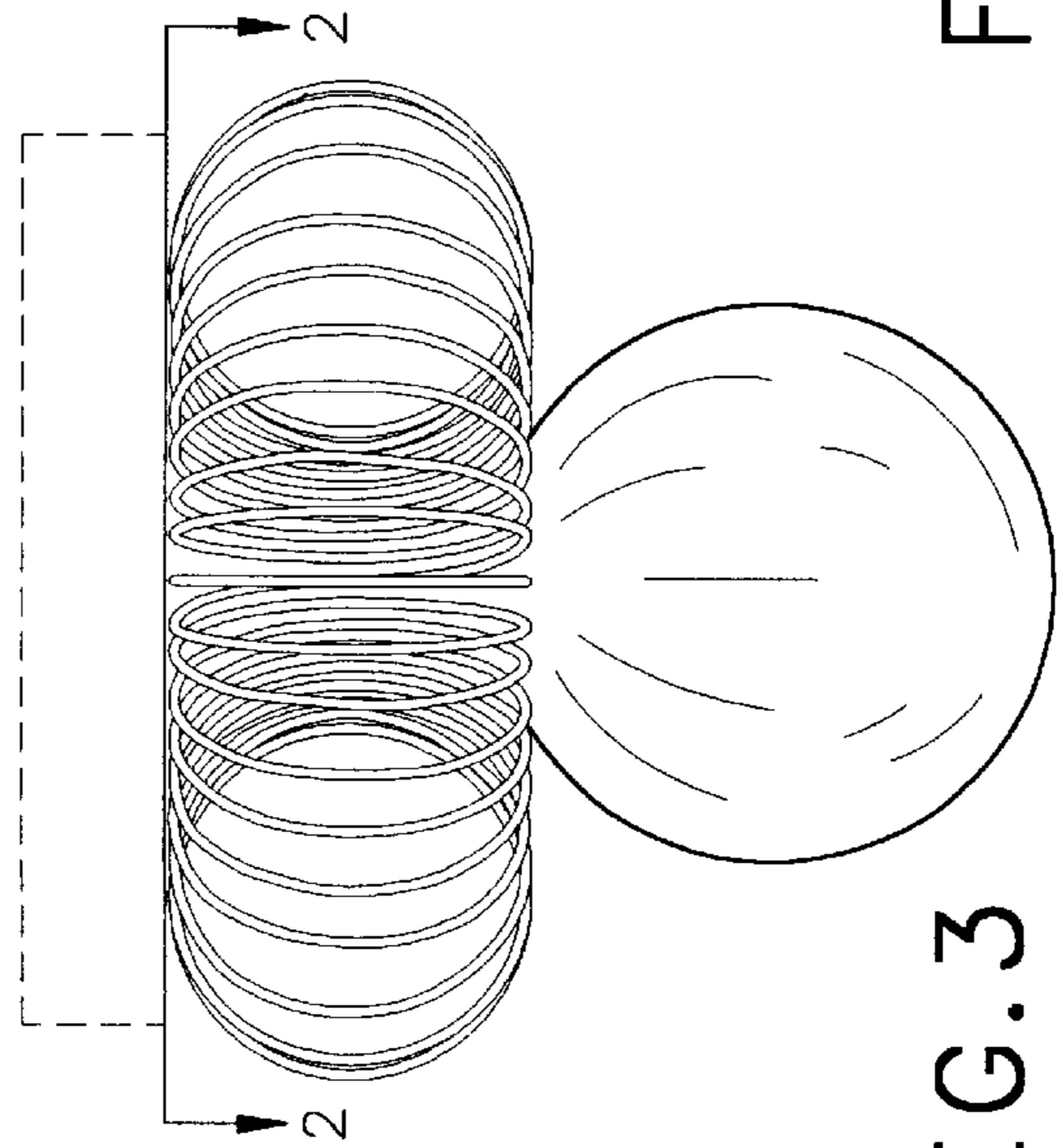


FIG. 3

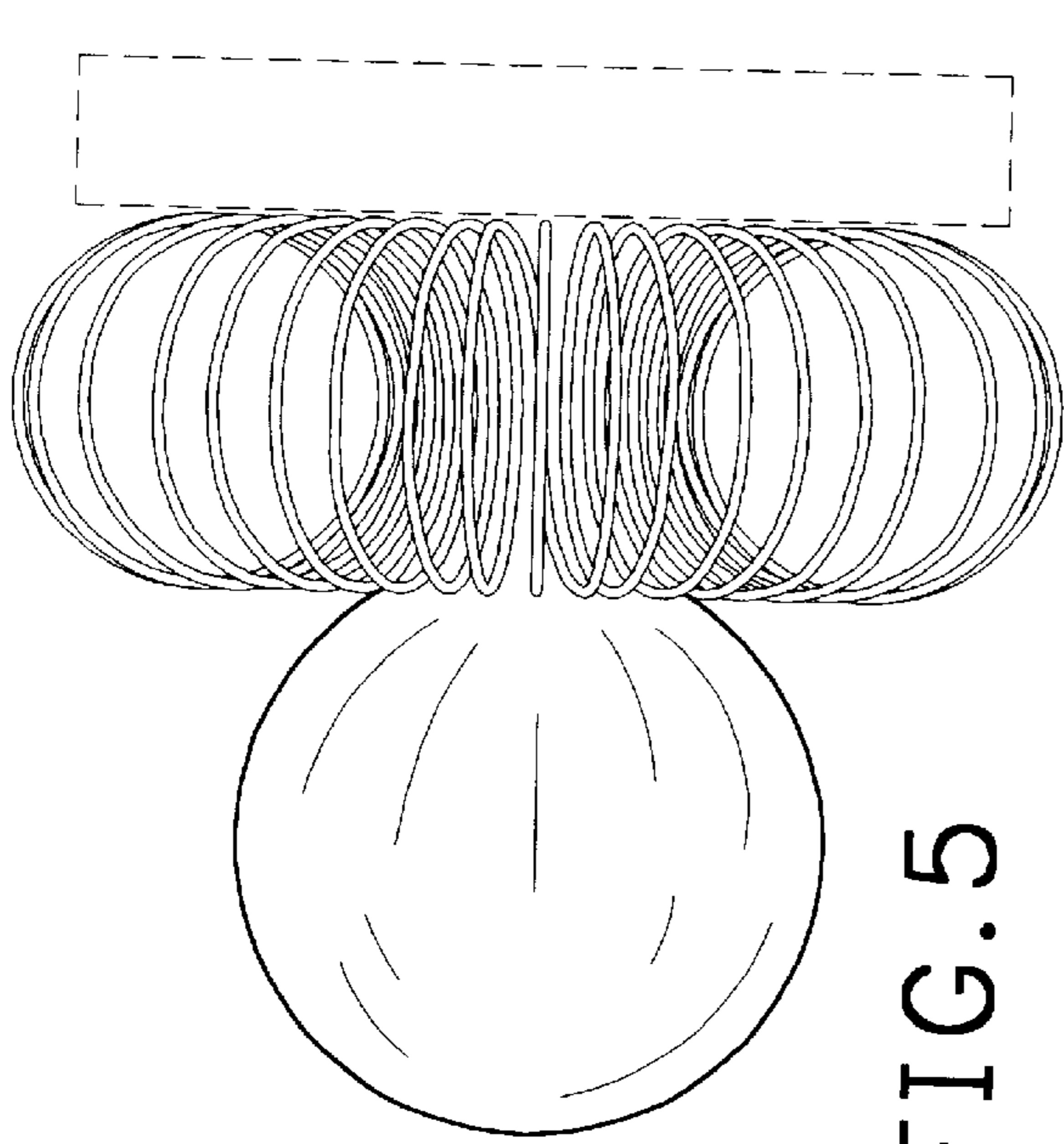


FIG. 5

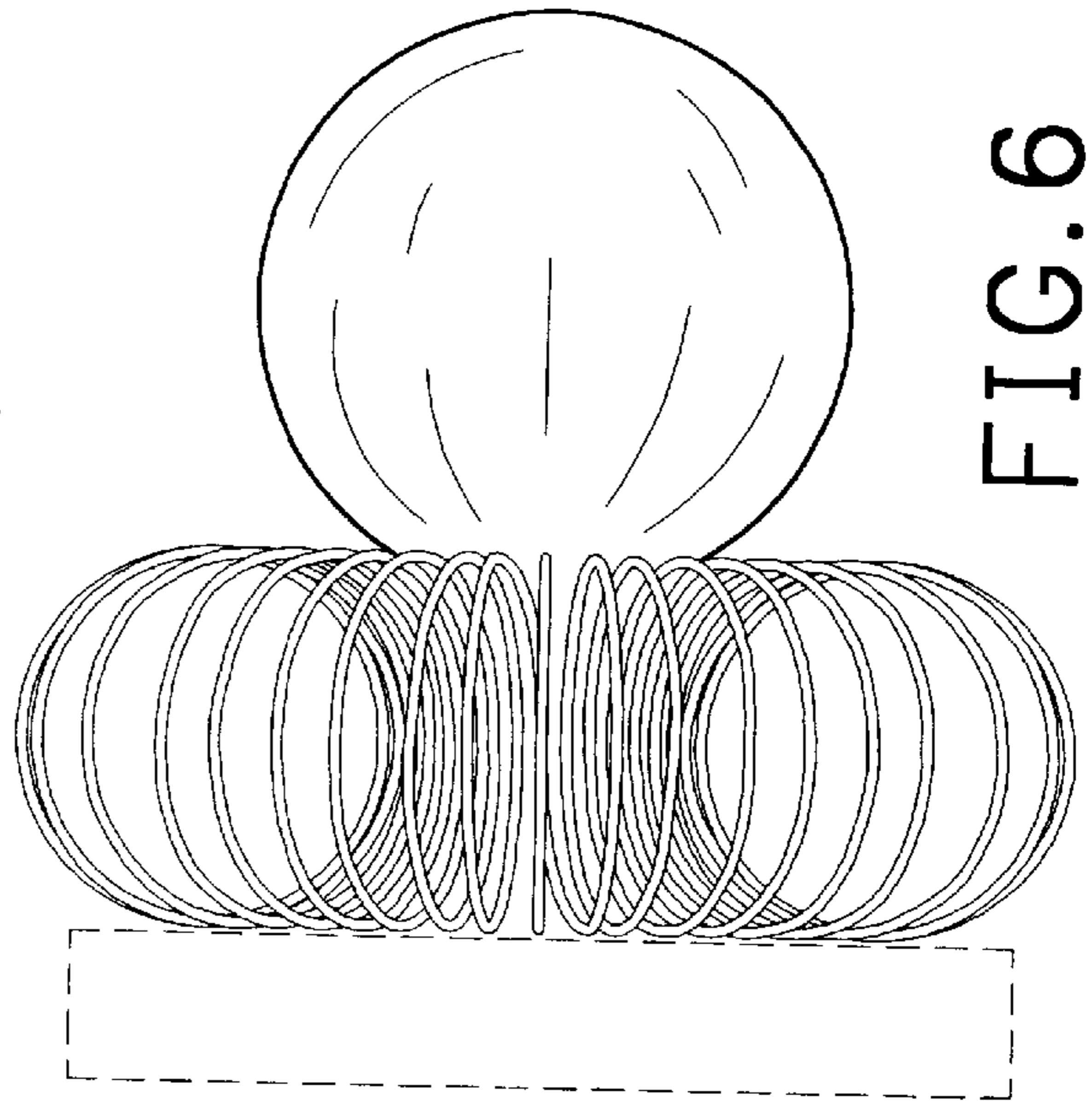


FIG. 6

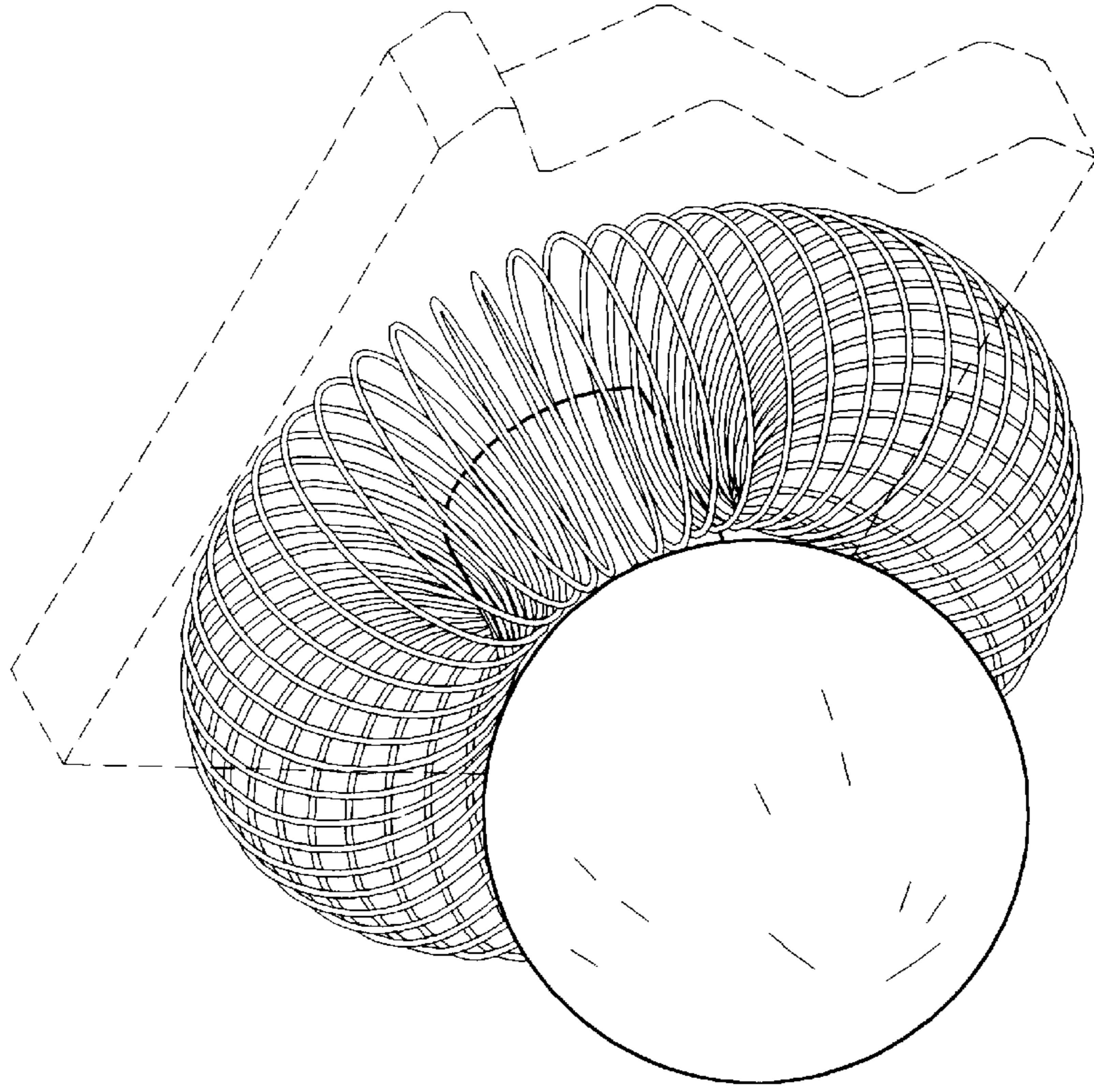


FIG. 7