



US00D415575S

United States Patent [19] Nickel

[11] **Patent Number: Des. 415,575**

[45] **Date of Patent: ** Oct. 19, 1999**

[54] **TOE BOARD**

[75] Inventor: **Shane Loren Nickel**, West Fargo, N. Dak.

[73] Assignee: **Reechcraft, Inc.**, Fargo, N. Dak.

[**] Term: **14 Years**

[21] Appl. No.: **29/078,018**

[22] Filed: **Oct. 15, 1997**

[51] **LOC (6) Cl.** **25-04**

[52] **U.S. Cl.** **D25/62**

[58] **Field of Search** D25/62, 68; 248/346.01, 248/237; 182/1, 54, 45, 113

[56] **References Cited**

U.S. PATENT DOCUMENTS

- D. 219,067 10/1970 Johnson D25/62
- D. 365,156 12/1995 Strickler D25/68
- 5,515,941 5/1996 Palmer et al. 182/45

Primary Examiner—Doris Clark

Attorney, Agent, or Firm—Merchant, Gould, Smith, Edell, Welter & Schmidt, P.A.

[57] **CLAIM**

The ornamental design for toe board, as shown and described.

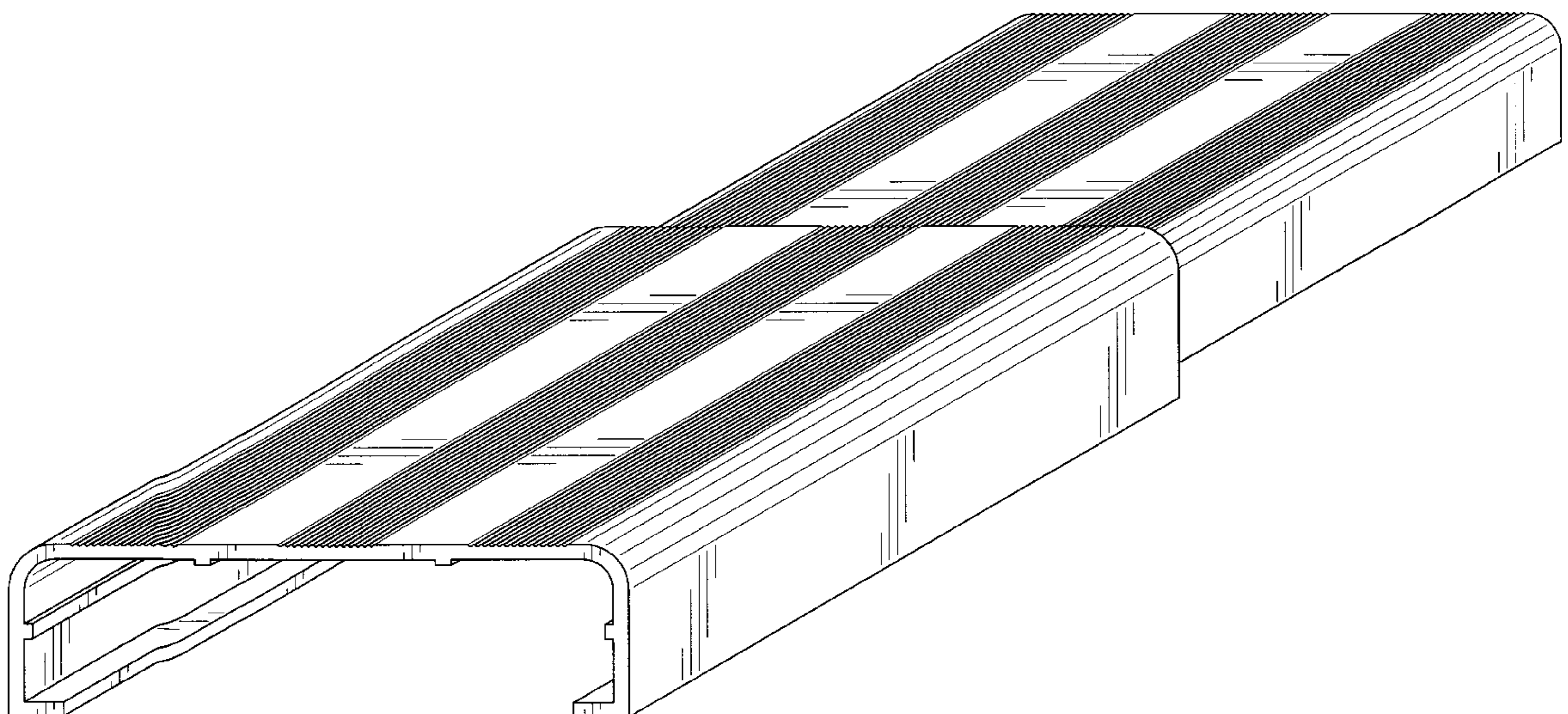
DESCRIPTION

FIG. 1 shows a perspective view of a toe board device according to the principles of the present invention;

FIG. 2 shows a left end view thereof, a right end view not being shown as it is a mirror image of the left end view; FIG. 3 shows a right side elevational view thereof; a left side elevational view not being shown as it is a mirror image of the right side elevational view; FIG. 4 shows a top plan view thereof; FIG. 5 shows a bottom plan view thereof; FIG. 6 shows a perspective view of an outer member for the toe board shown in FIG. 1; FIG. 7 shows a left end view, a right end view not being shown as it is a mirror image of the left end view; FIG. 8 shows a left side elevational view thereof; a right side elevational view not being shown as it is a mirror image of the left side elevational view; FIG. 9 shows a top plan view thereof; FIG. 10 shows a bottom plan view thereof; FIG. 11 shows a perspective view of an inner member for the toe board shown in FIG. 1; FIG. 12 shows a left end elevational view thereof; a right end elevational view not being shown as it is a mirror image of the left end elevational view; FIG. 13 shows a left side elevational view, a right side elevational view not being shown as it is a mirror image of the left side elevational view; FIG. 14 shows a top plan view thereof; FIG. 15 shows a bottom plan view thereof; and, FIG. 16 shows an enlarged fragmentary view of the grooves shown in FIG. 2.

The views of the claimed design in FIGS. 3 through 5 of the drawing have been fragmentarily shown for ease of illustration.

1 Claim, 16 Drawing Sheets



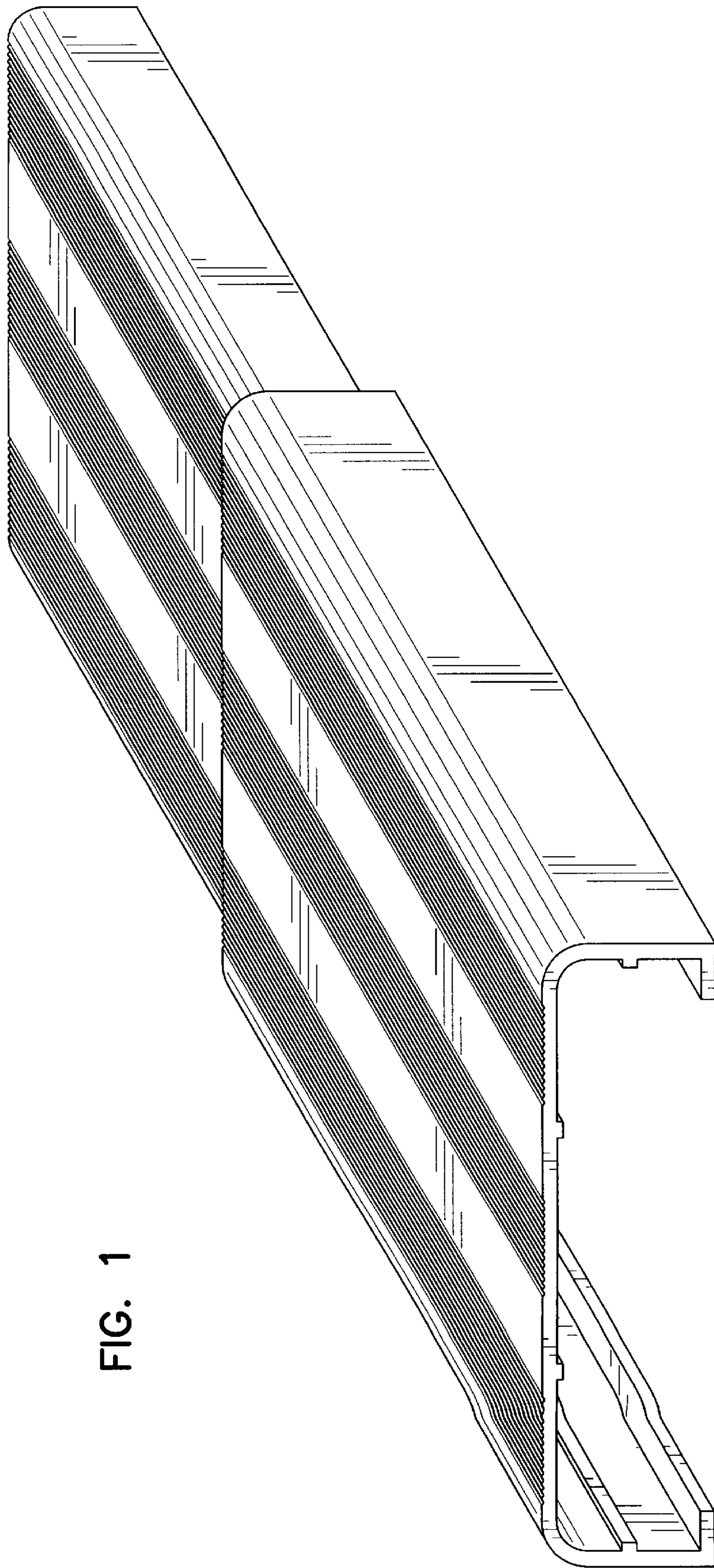


FIG. 1

FIG. 2

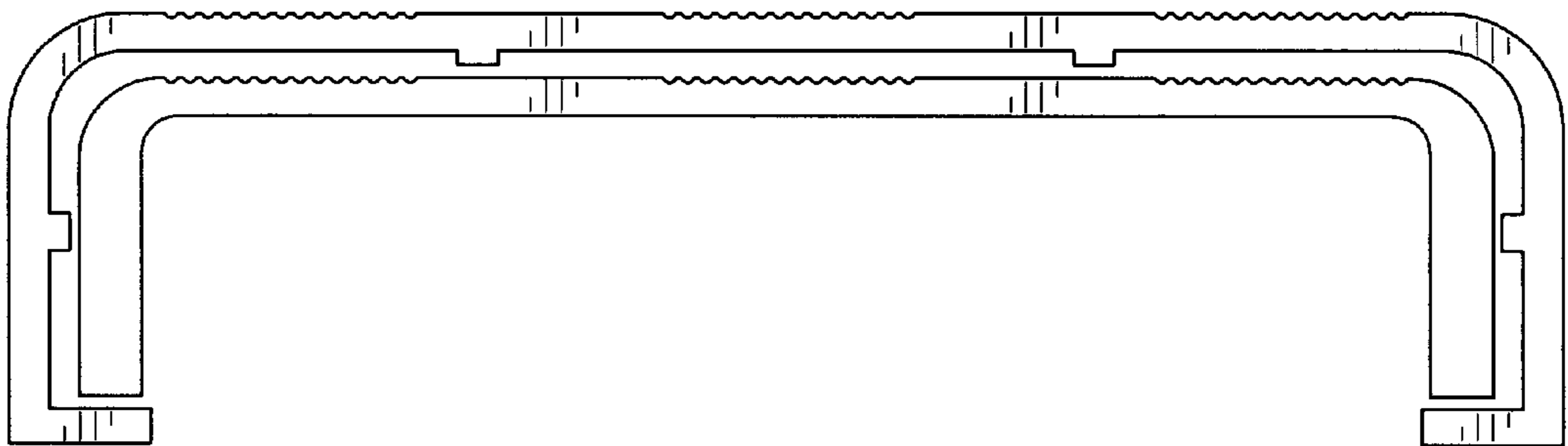


FIG. 3

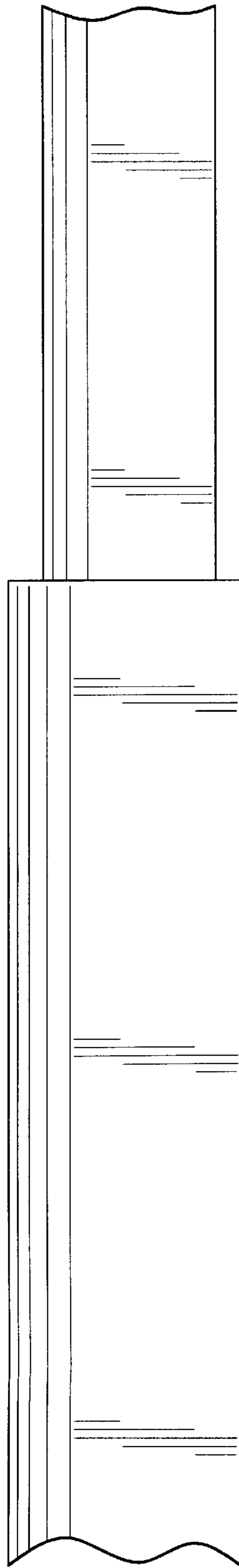


FIG. 4

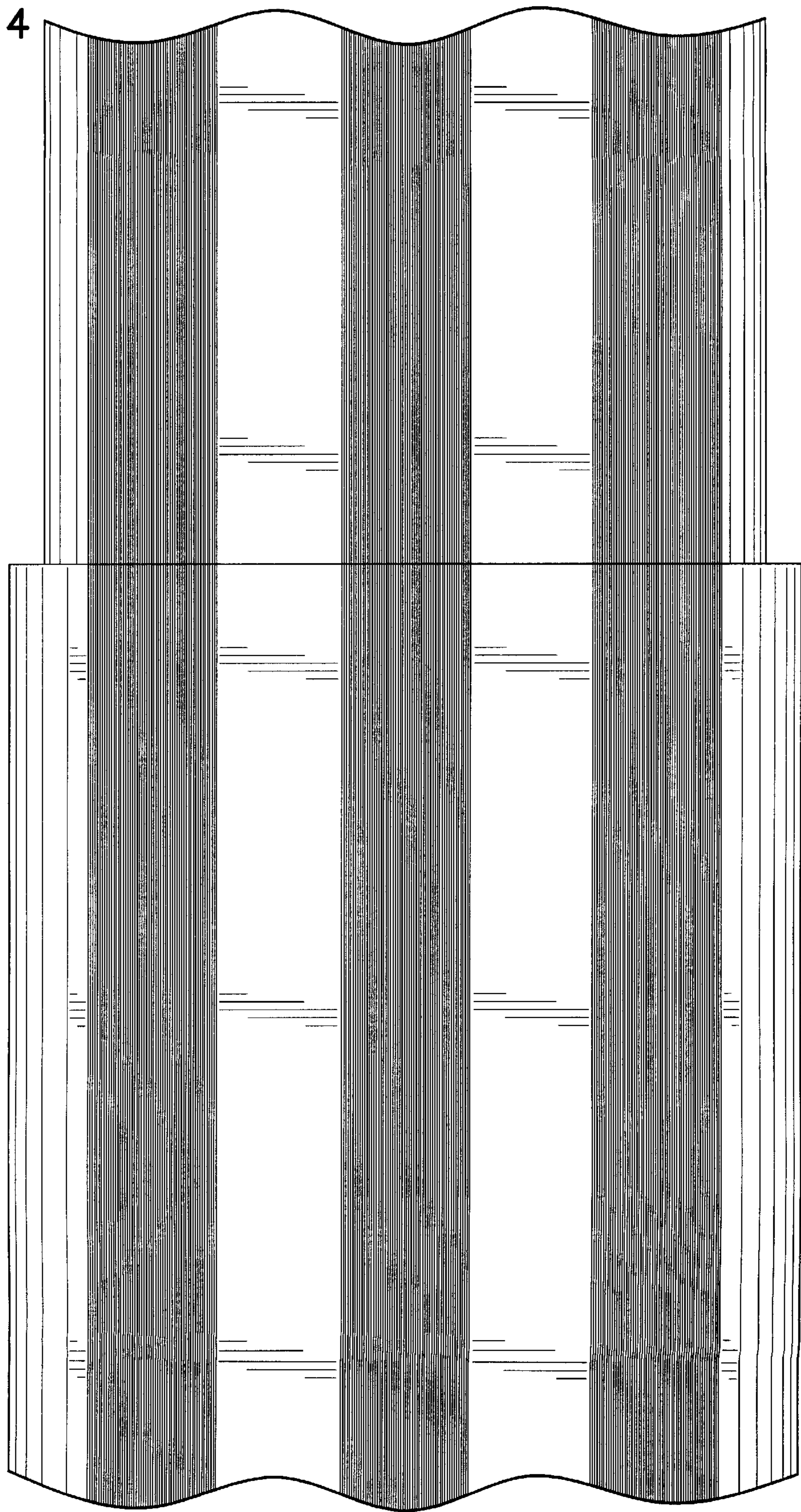
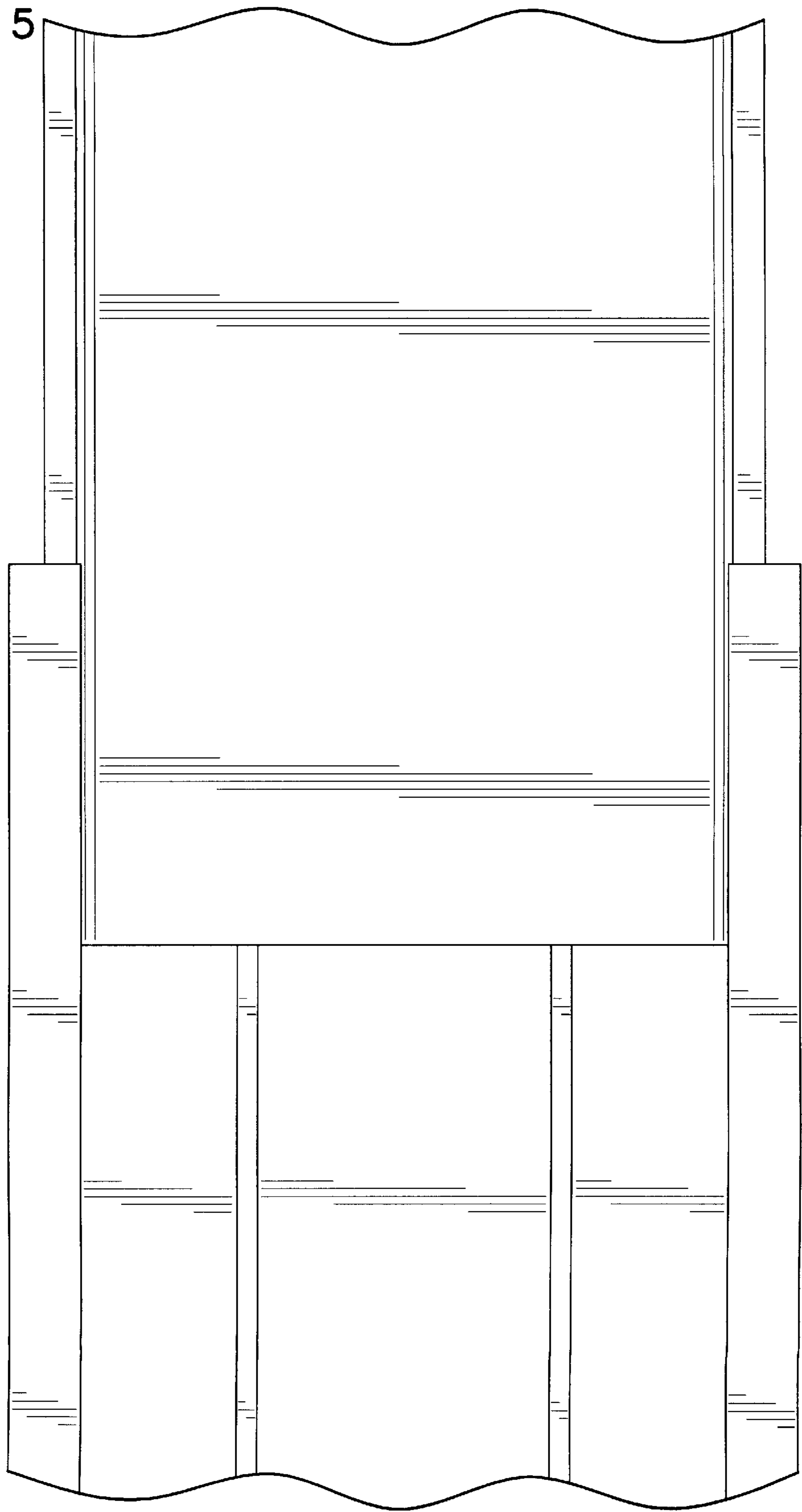


FIG. 5



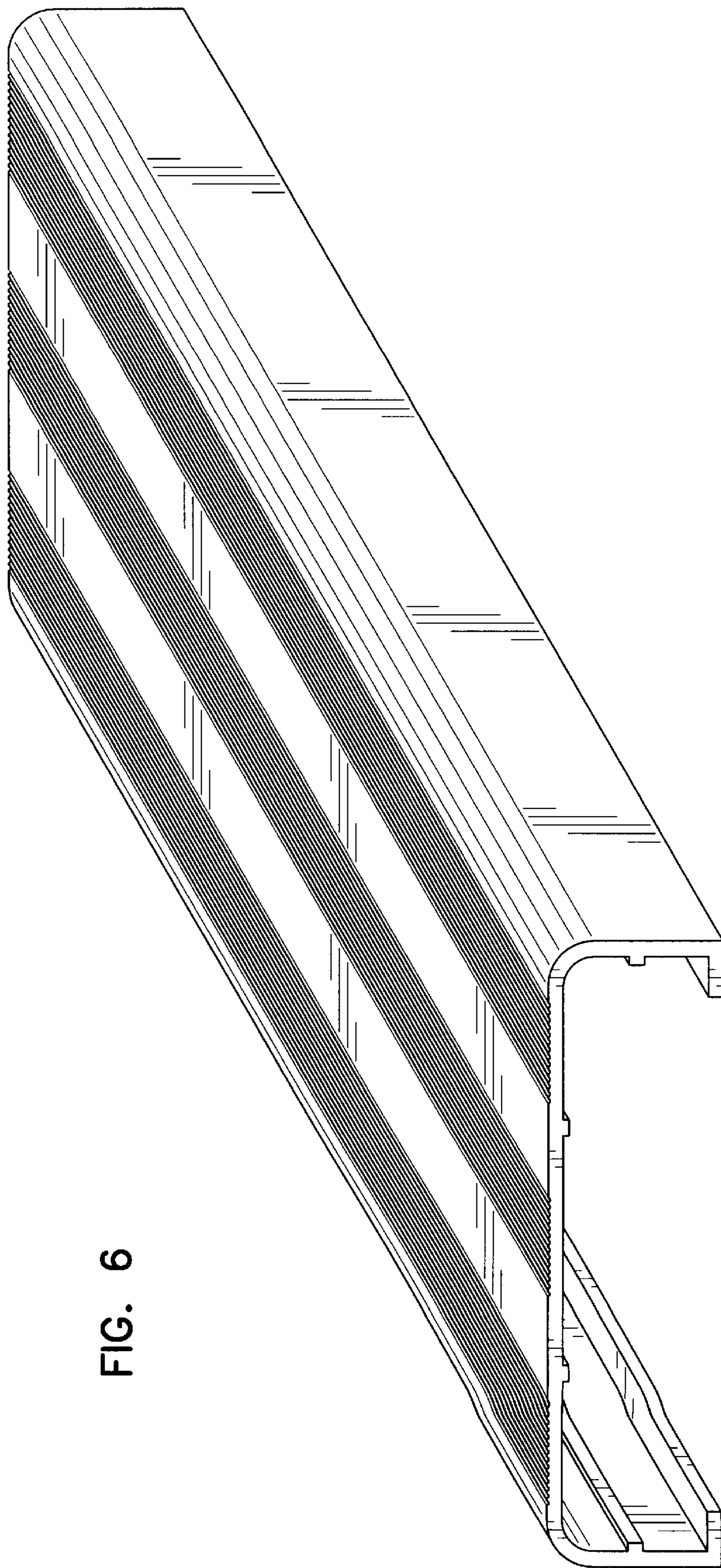


FIG. 6

FIG. 7

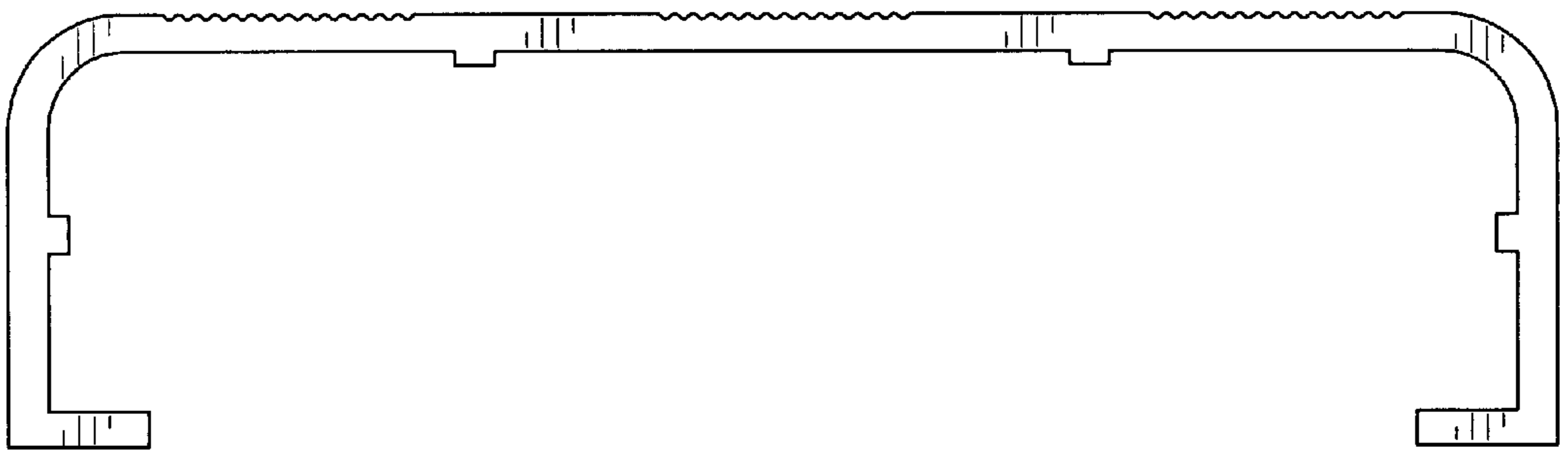


FIG. 8

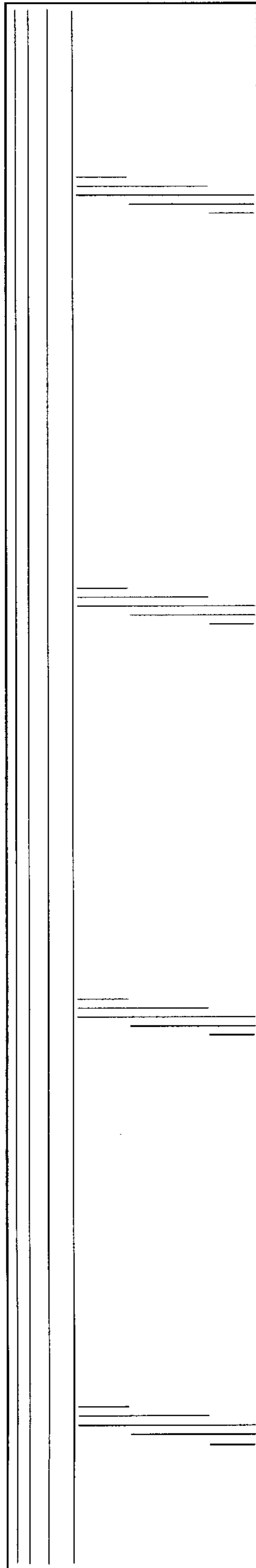


FIG. 9

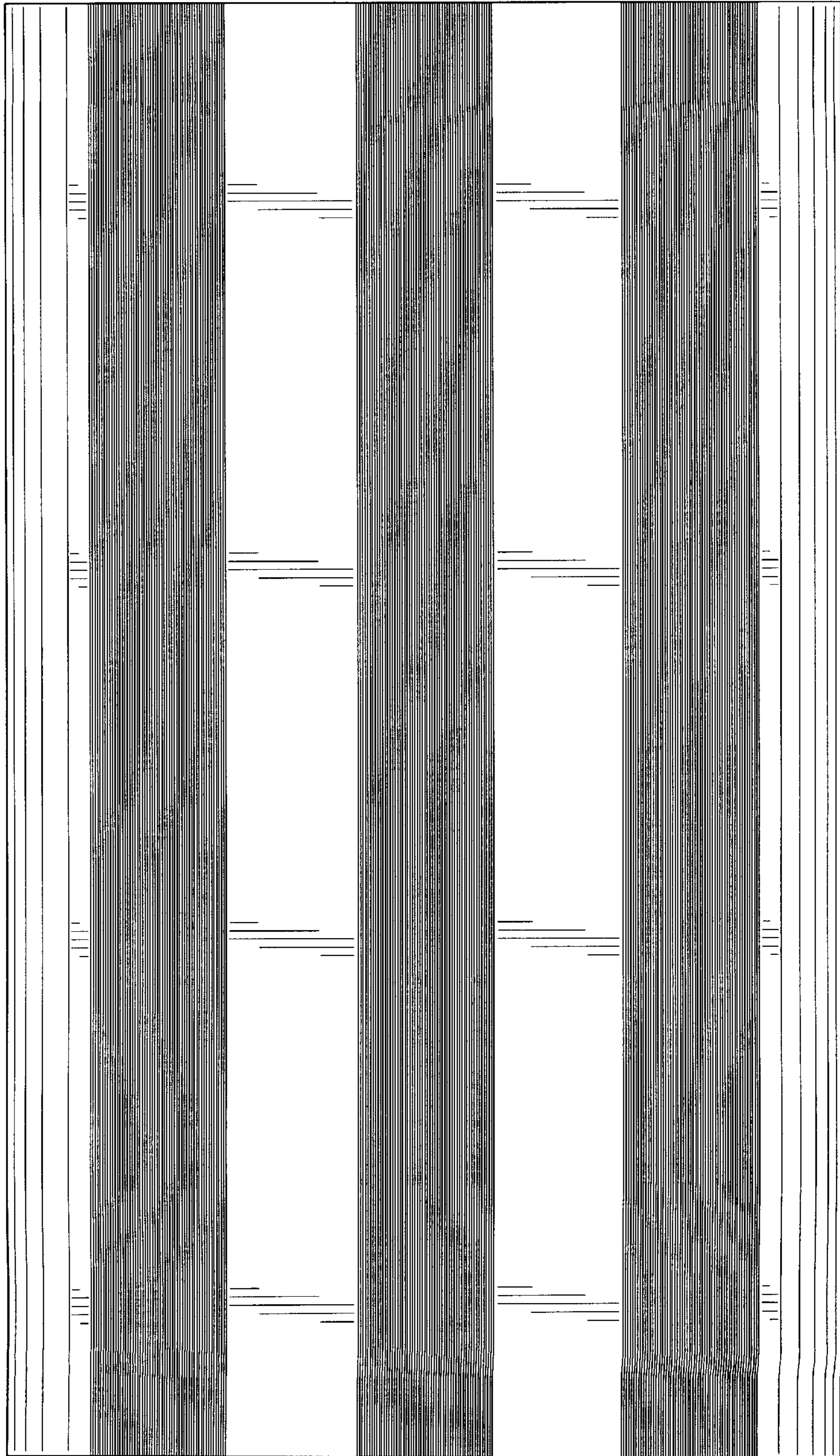
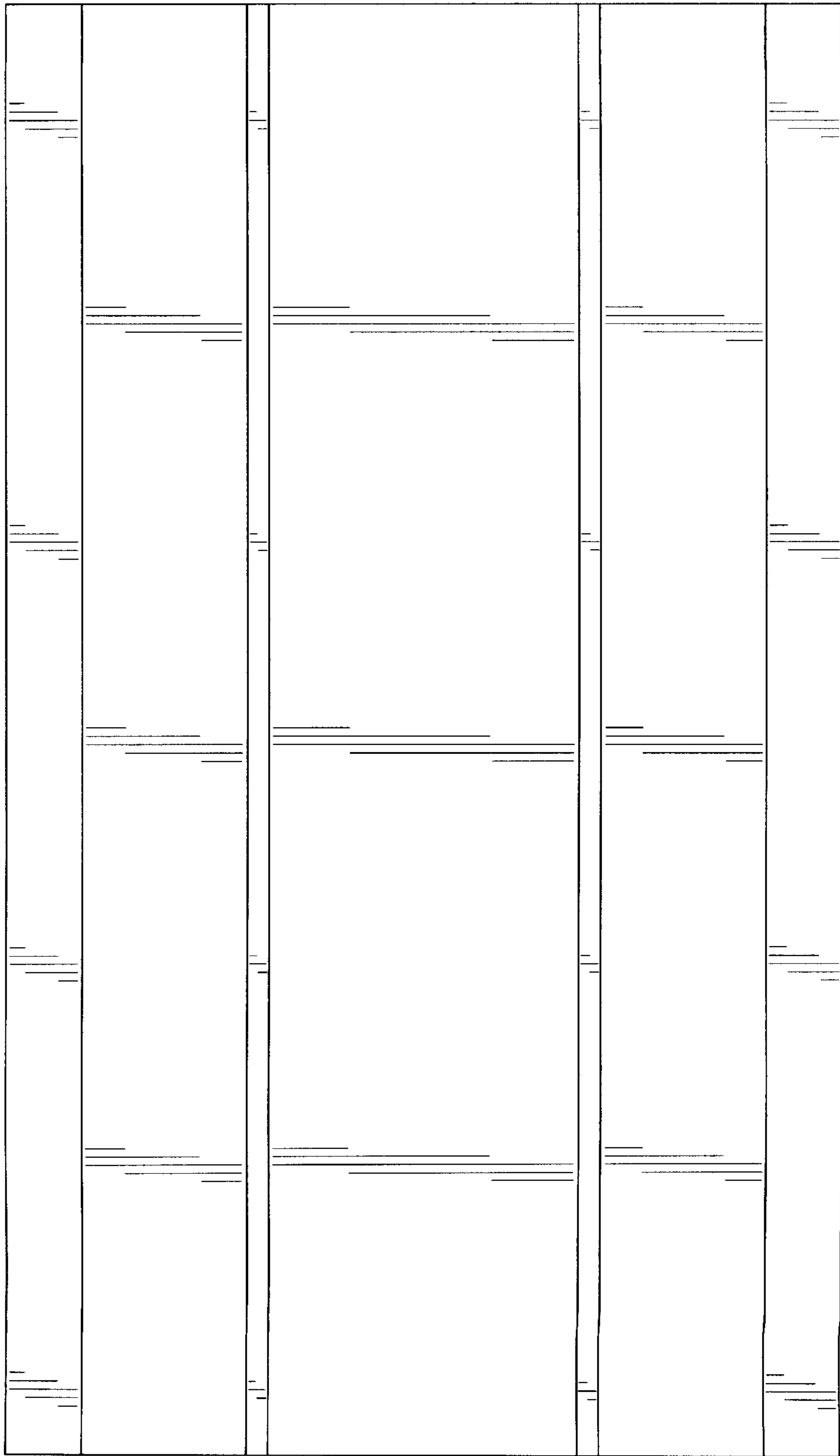


FIG. 10



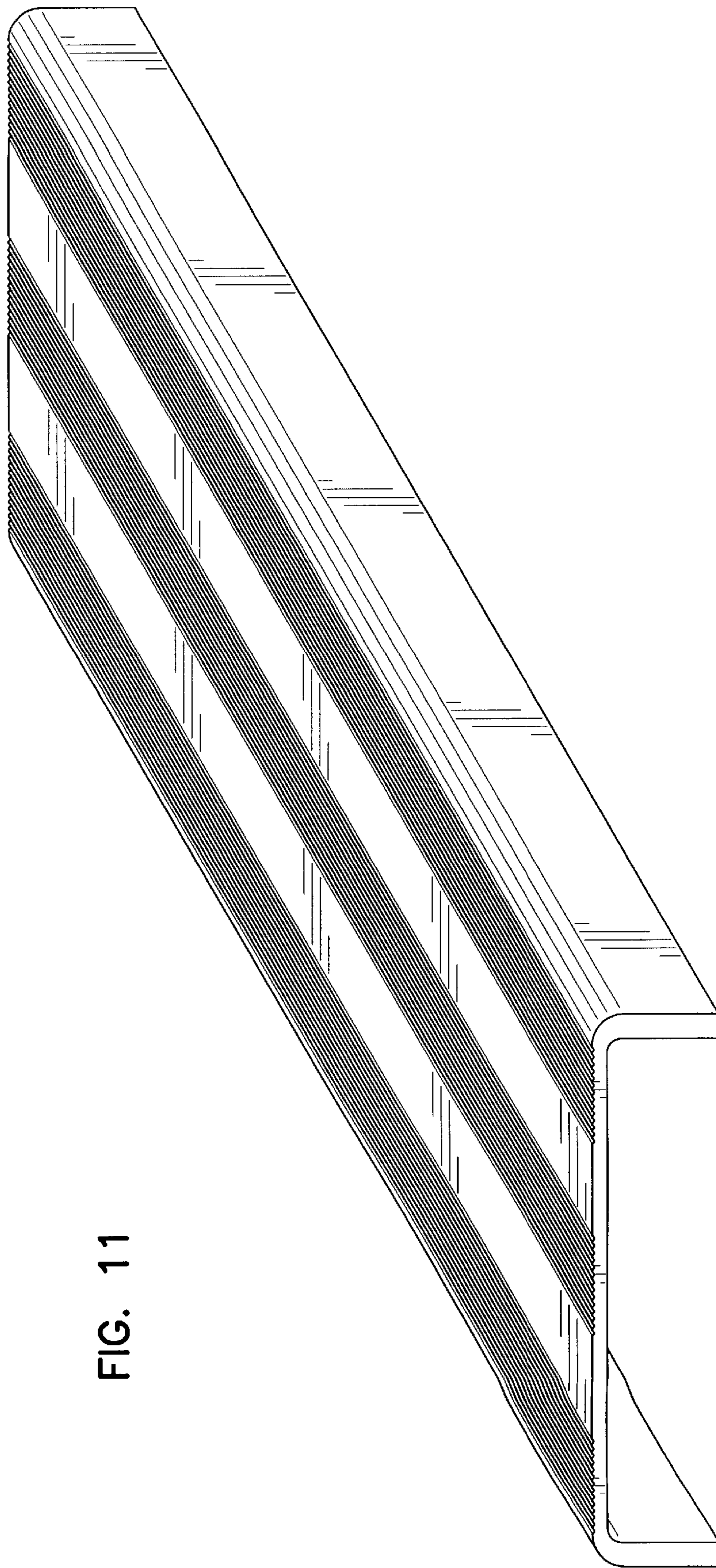


FIG. 11

FIG. 12

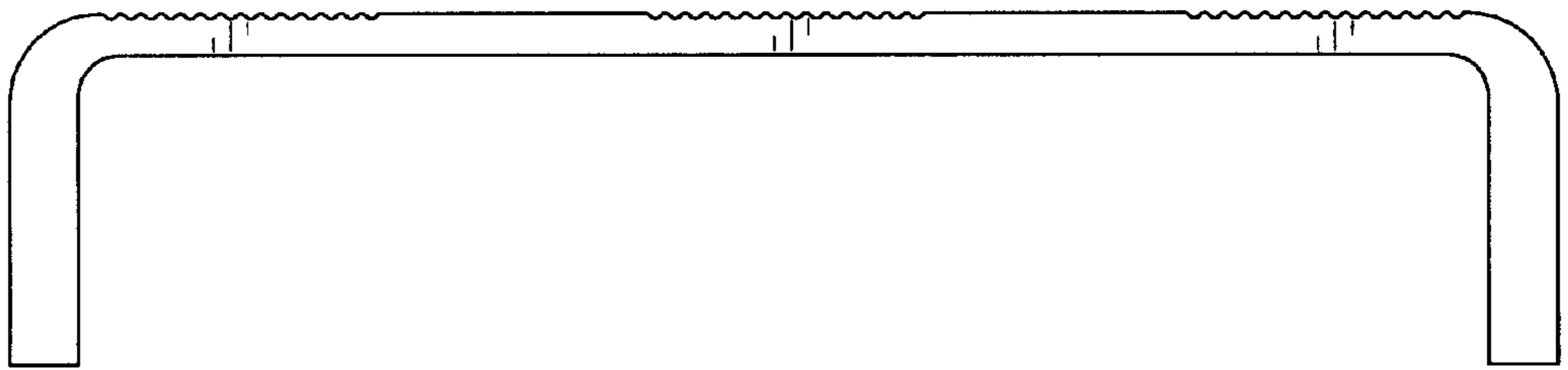


FIG. 13

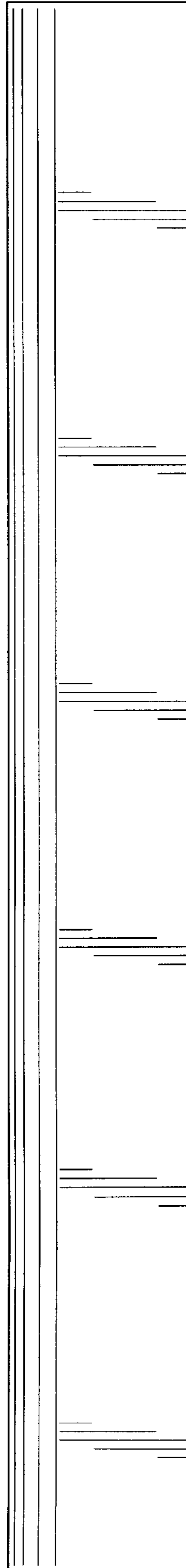


FIG. 14

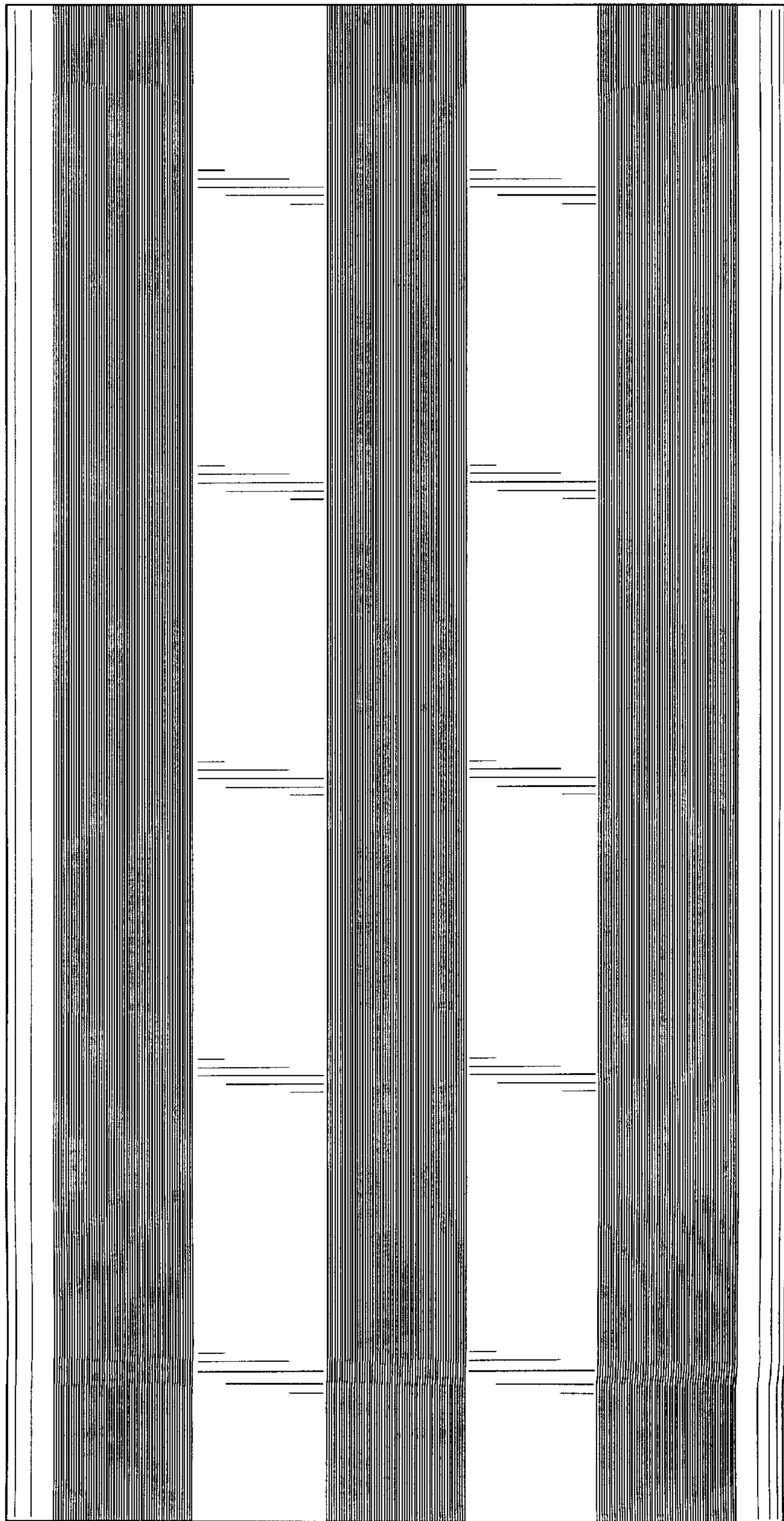


FIG. 15

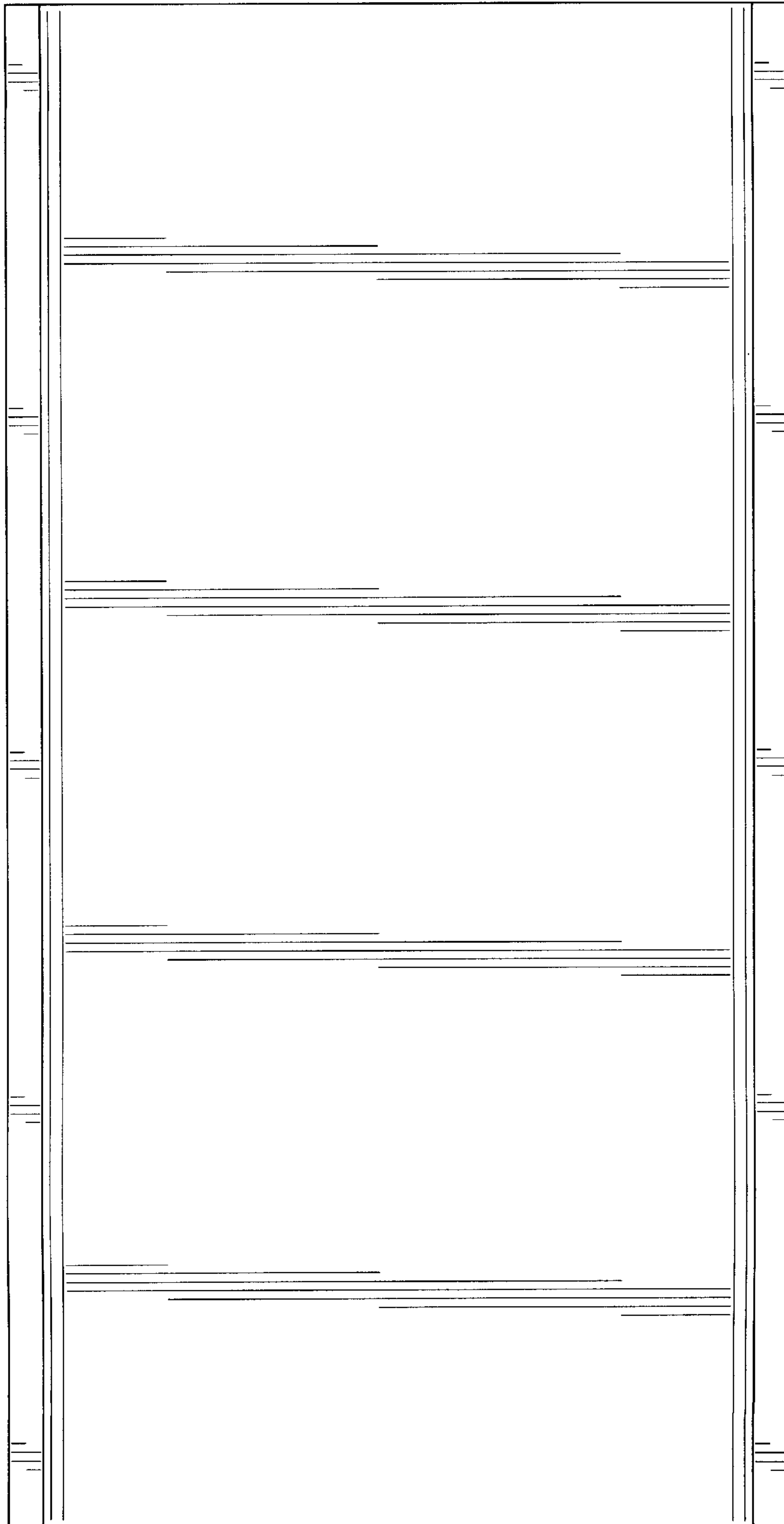


FIG. 16

