



US00D415572S

United States Patent [19]
Goldwitz

[11] **Patent Number: Des. 415,572**

[45] **Date of Patent: ** Oct. 19, 1999**

[54] **SHELTER CONSTRUCTION**

[76] Inventor: **Brian L. Goldwitz**, 342 Country La.,
Orange, Conn. 06477

[**] Term: **14 Years**

[21] Appl. No.: **29/085,405**

[22] Filed: **Mar. 23, 1998**

[51] **LOC (6) Cl.** **25-02**

[52] **U.S. Cl.** **D25/56**

[58] **Field of Search** D25/56; 135/908,
135/87

[56] **References Cited**

U.S. PATENT DOCUMENTS

D. 374,088	9/1996	Collier	D25/56
5,573,026	11/1996	Griffith	135/908
5,634,483	6/1997	Gwin	135/87

Primary Examiner—Doris Clark
Attorney, Agent, or Firm—Melvin I. Stoltz

[57] **CLAIM**

The ornamental design for the shelter construction, as shown and described.

DESCRIPTION

FIG. 1 is a perspective view of the shelter construction showing my new design;

FIG. 2 is a front elevational view thereof, the rear elevational view being identical in appearance;

FIG. 3 is a side elevational view thereof, the opposite side being identical in appearance; and,

FIG. 4 is a top plan view thereof.

The Broken lines showing anchors are for illustrative purposes only, and form no part of the claimed design.

1 Claim, 4 Drawing Sheets

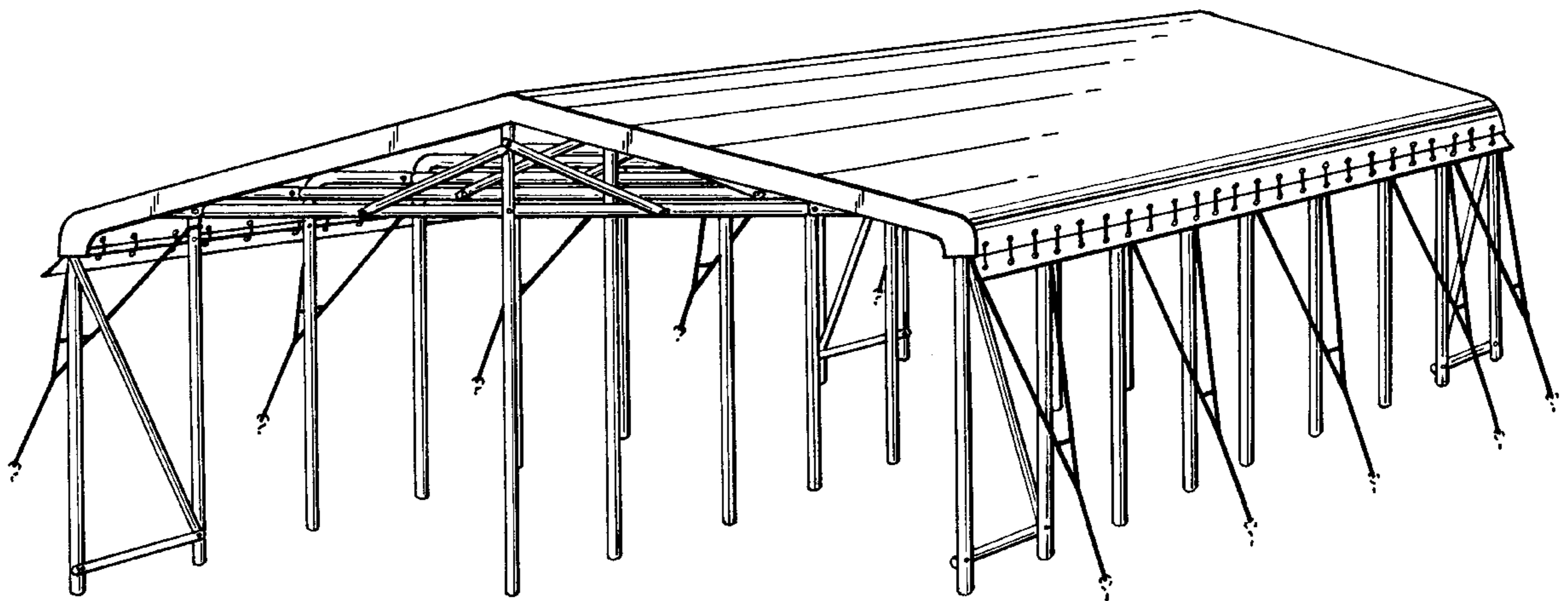
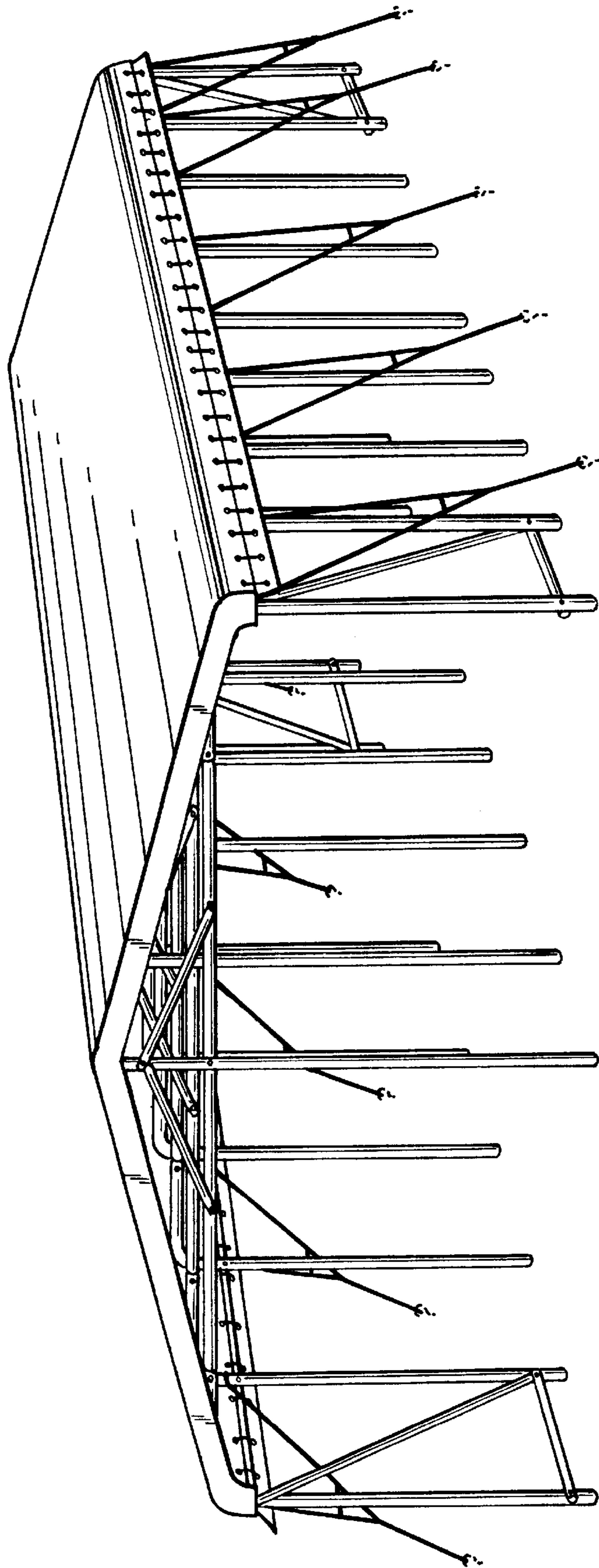


FIG. 1



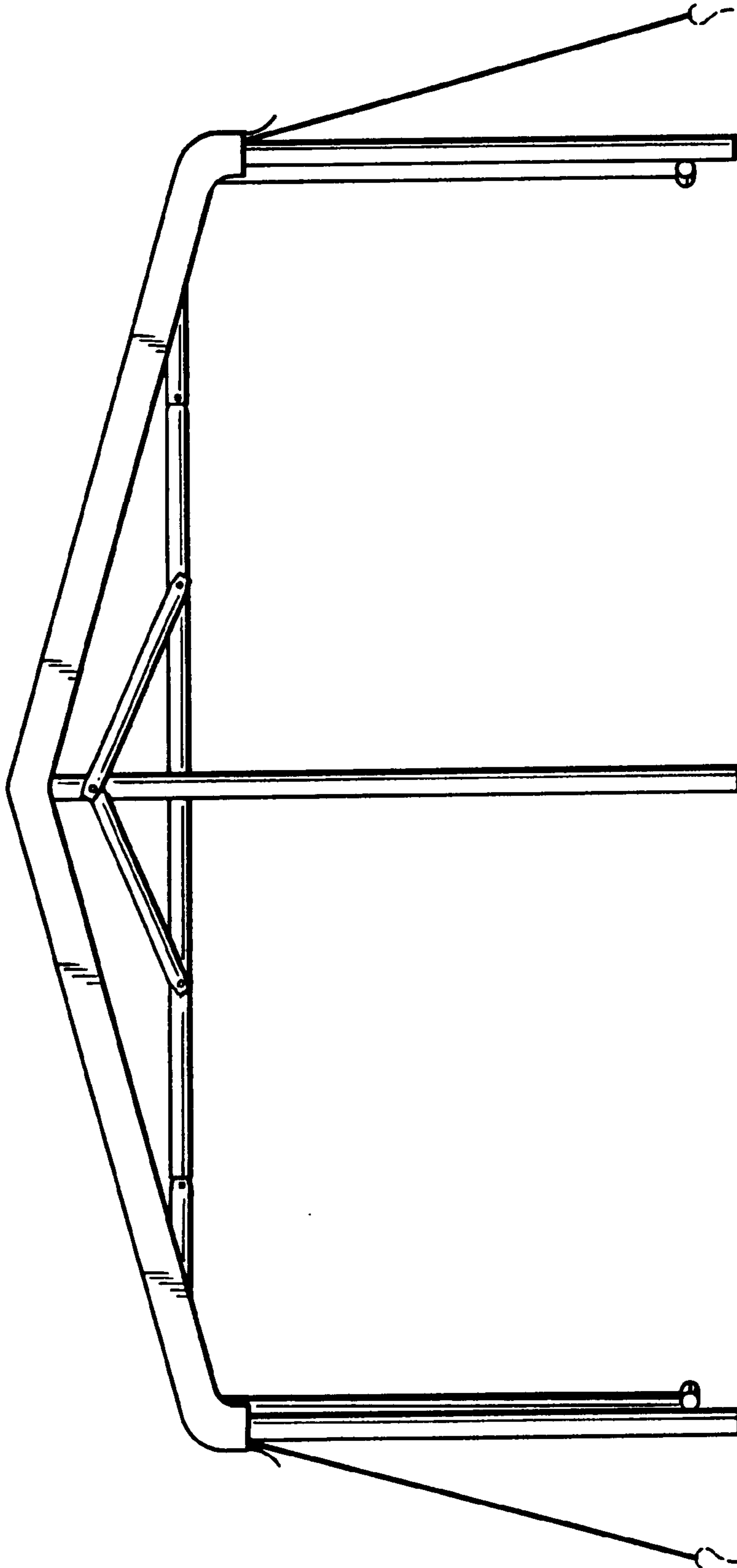


FIG.2

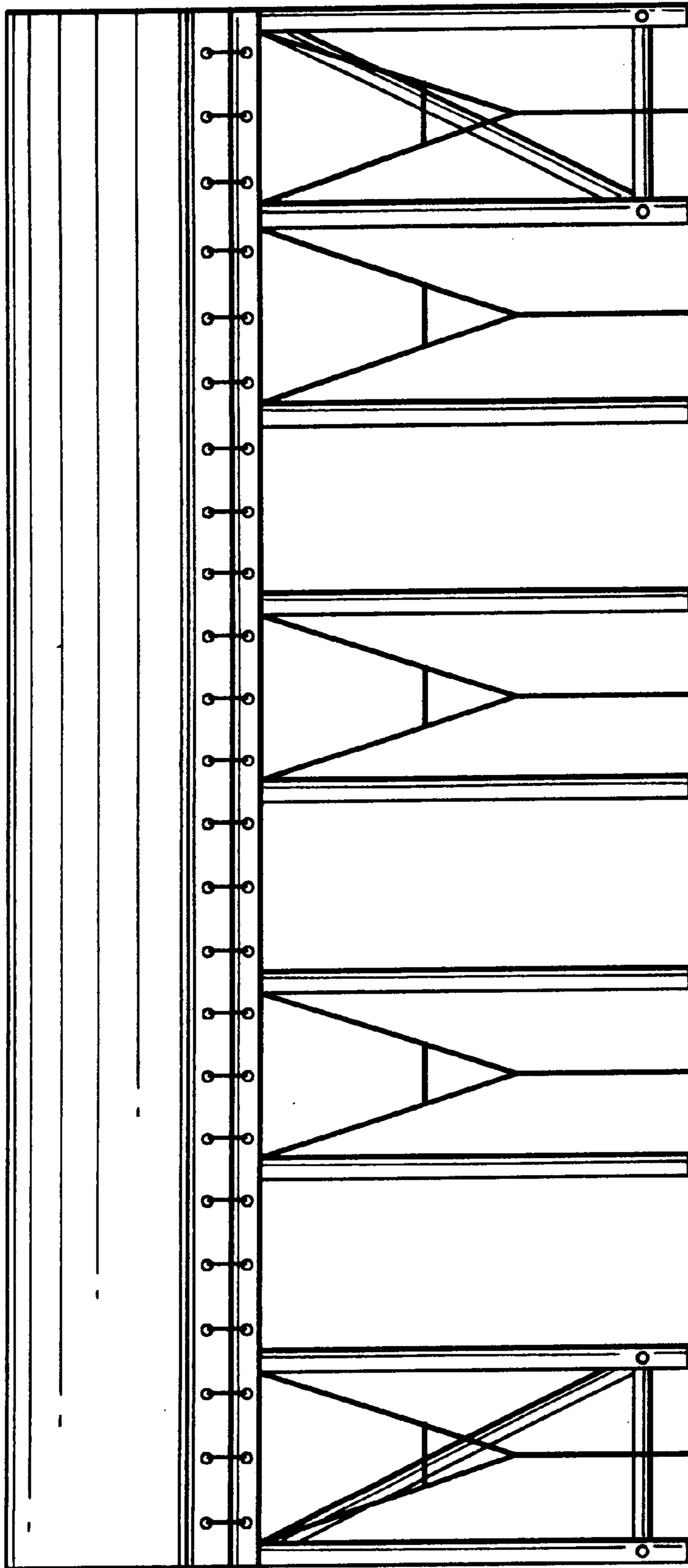


FIG. 3

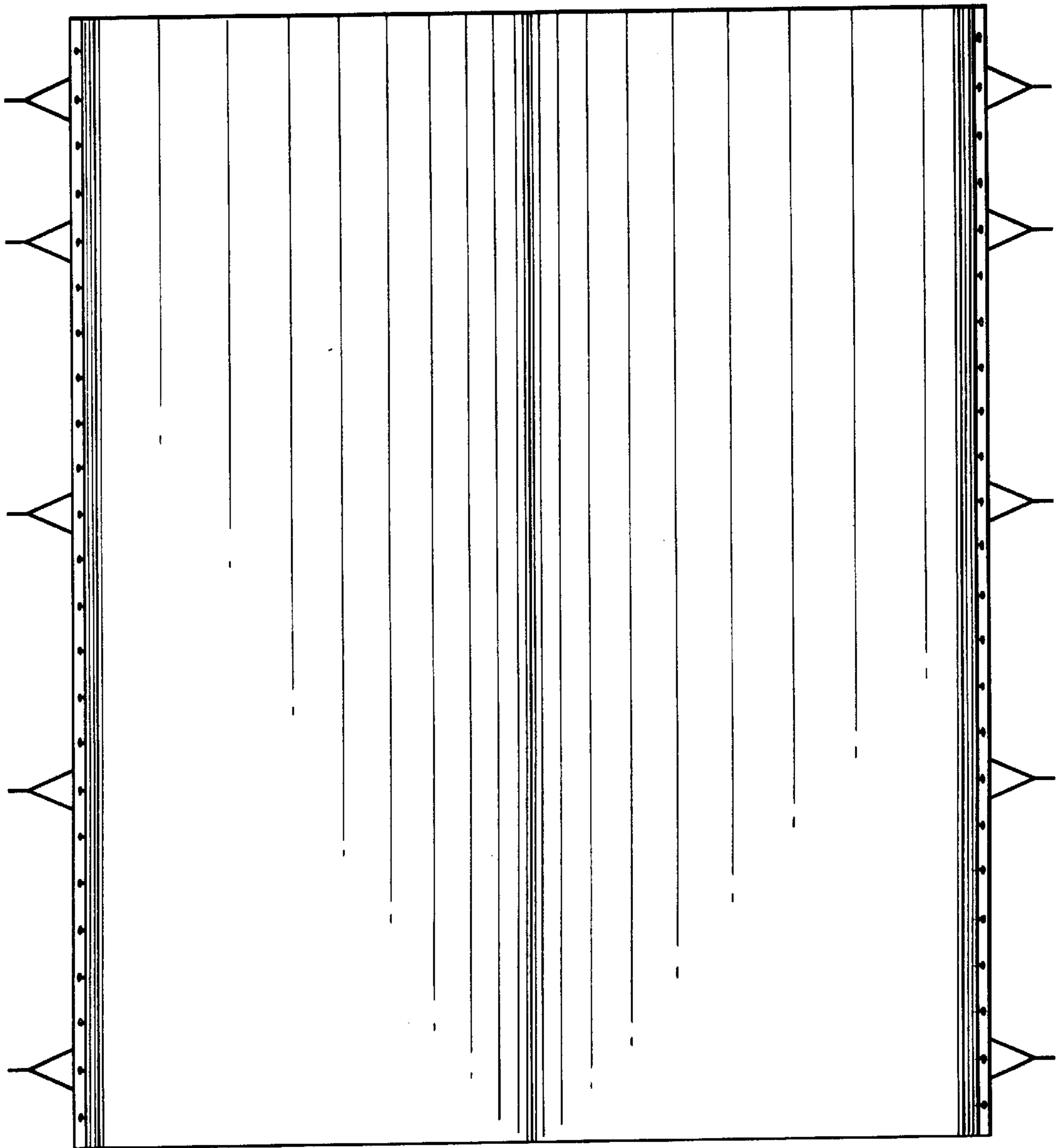


FIG.4