



US00D415570S

# United States Patent [19]

Bradshaw et al.

[11] Patent Number: **Des. 415,570**

[45] Date of Patent: **\*\* Oct. 19, 1999**

[54] **CLAMP**

[75] Inventors: **Randolph Bradshaw**, Brewster, N.Y.;  
**Andrew Oakes**, Harrington Park, N.J.;  
**Nicholae Dumitrescu**, Stamford, Conn.;  
**Chris Robinson**, Lawrenceville, N.J.;  
**James R. Laskey**, Chestertown, Md.;  
**Robert L. Berger**, Bound Brook, N.J.

[73] Assignee: **Bayer Corporation**, Tarrytown, N.Y.

[\*\*] Term: **14 Years**

[21] Appl. No.: **29/080,266**

[22] Filed: **Dec. 5, 1997**

[51] **LOC (6) Cl.** ..... **24-04**

[52] **U.S. Cl.** ..... **D24/224; D8/395**

[58] **Field of Search** ..... D24/231, 224,  
D24/227, 232, 121; 422/101, 102, 103,  
104; D8/395

[56] **References Cited**

**U.S. PATENT DOCUMENTS**

D. 341,078 11/1993 Saavedra ..... D8/395

D. 393,201	4/1998	Hearidge et al. ....	D8/395
4,970,053	11/1990	Fechtner .....	422/102
5,005,721	4/1991	Jordan .....	422/102
5,145,646	9/1992	Tyranski .....	422/102
5,294,404	3/1994	Grandone et al. ....	422/102
5,322,668	6/1994	Tomasso .....	422/102
5,501,982	3/1996	Saldivar, Jr. et al. ....	422/102
5,578,272	11/1996	Koch et al. ....	422/102

*Primary Examiner*—Philip S. Hyder  
*Attorney, Agent, or Firm*—Andrew L. Klawitter, Esq.;  
Rodman & Rodman

[57] **CLAIM**

The ornamental design for a clamp, as shown and described.

**DESCRIPTION**

FIG. 1 is a front perspective view of a clamp showing our new design;  
FIG. 2 is a side elevational view thereof, the opposite side end elevational view being a mirror image of that shown;  
FIG. 3 is a right end view thereof, the opposite end view being a mirror image of that shown;  
FIG. 4 is a top plan view thereof; and,  
FIG. 5 is a bottom plan view thereof.

**1 Claim, 3 Drawing Sheets**

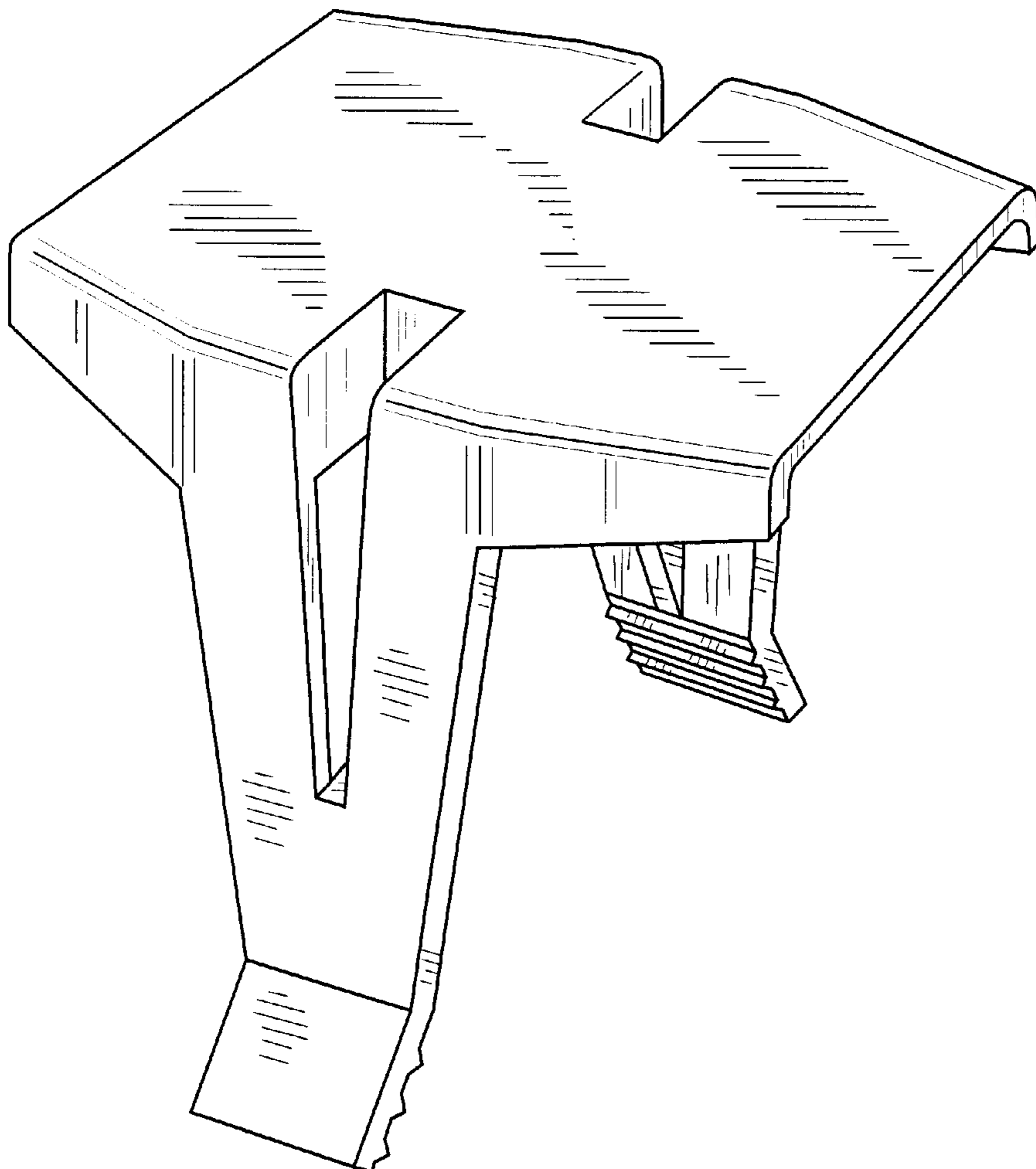


FIG. 1

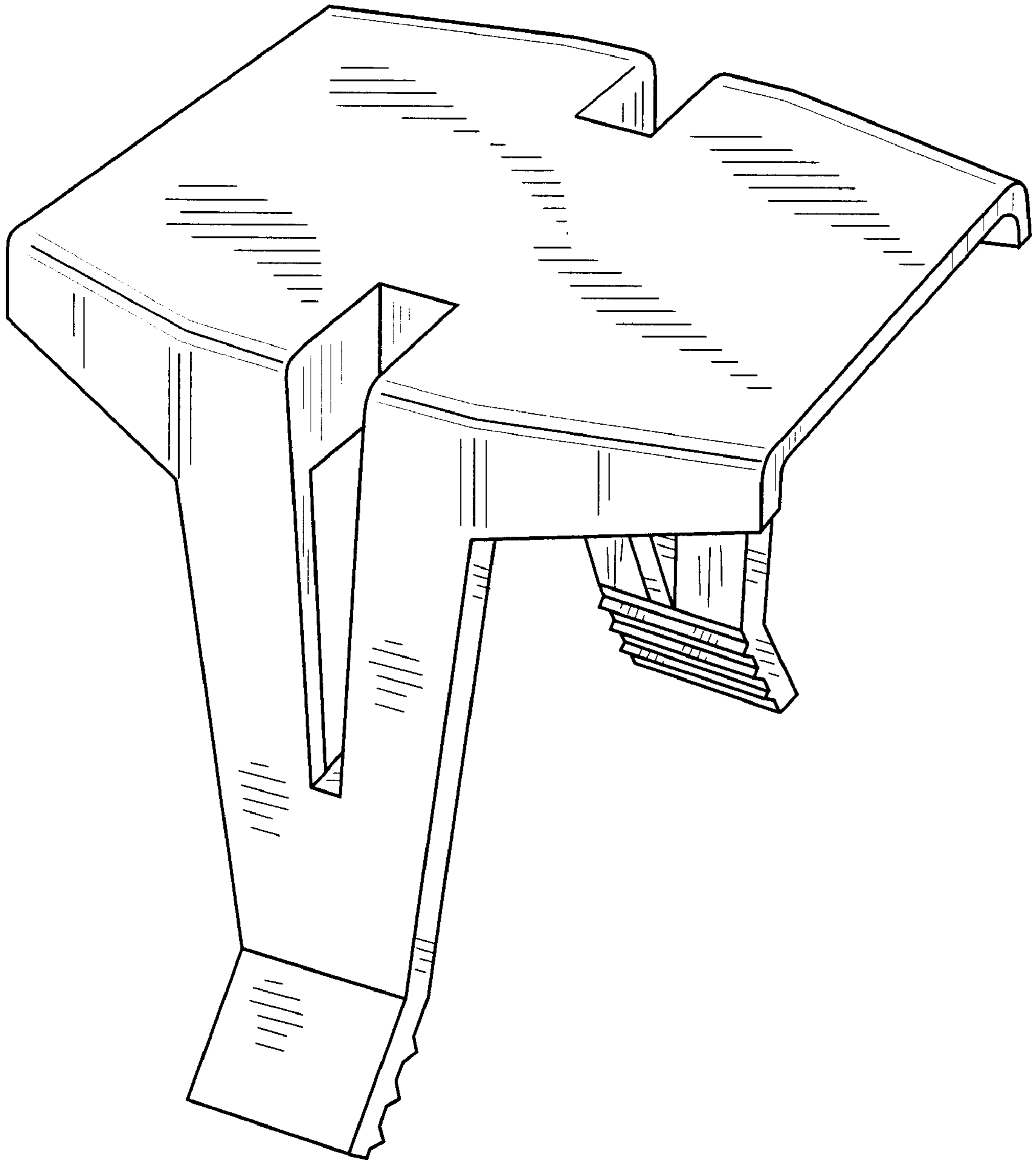


FIG. 2

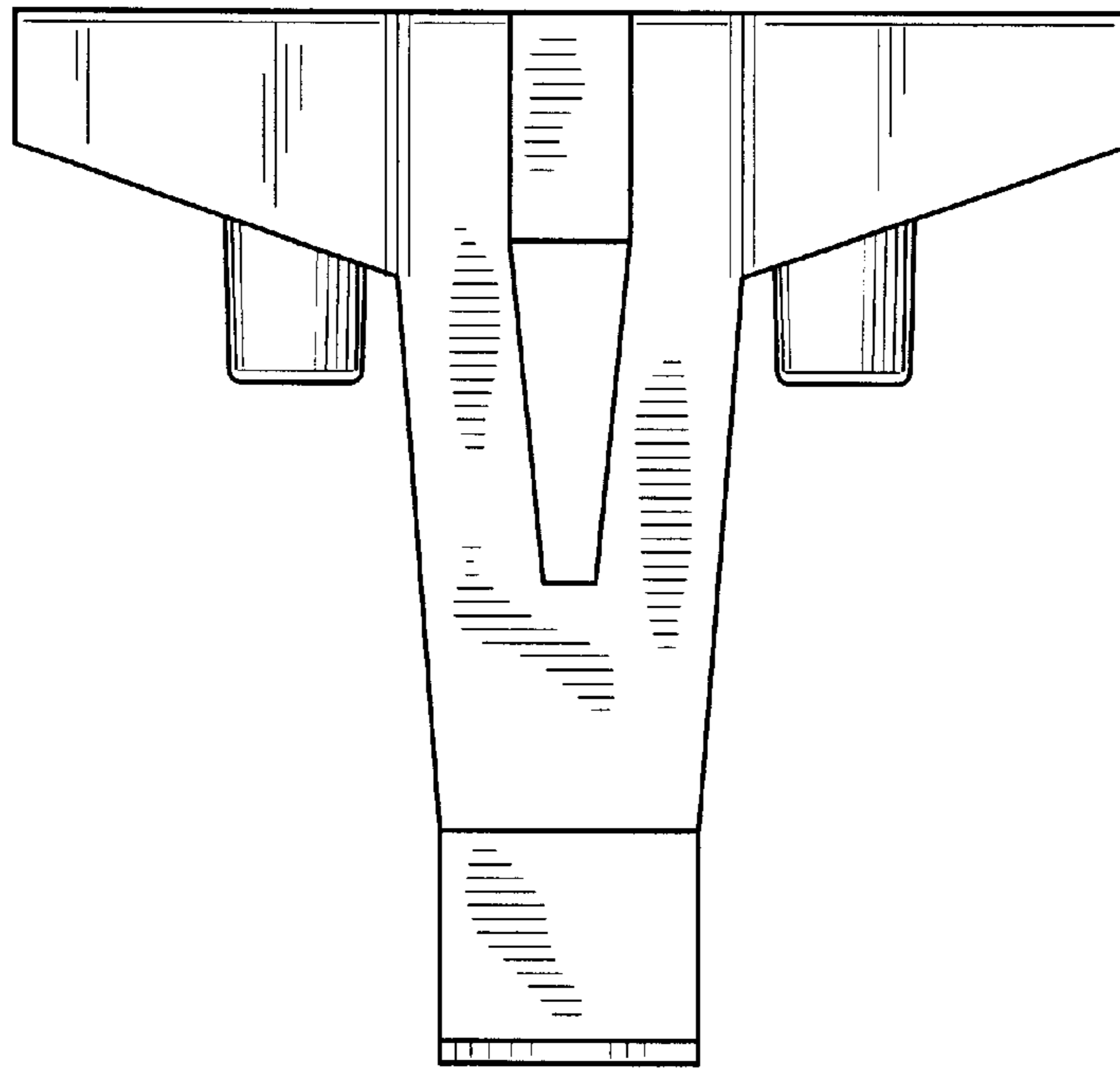
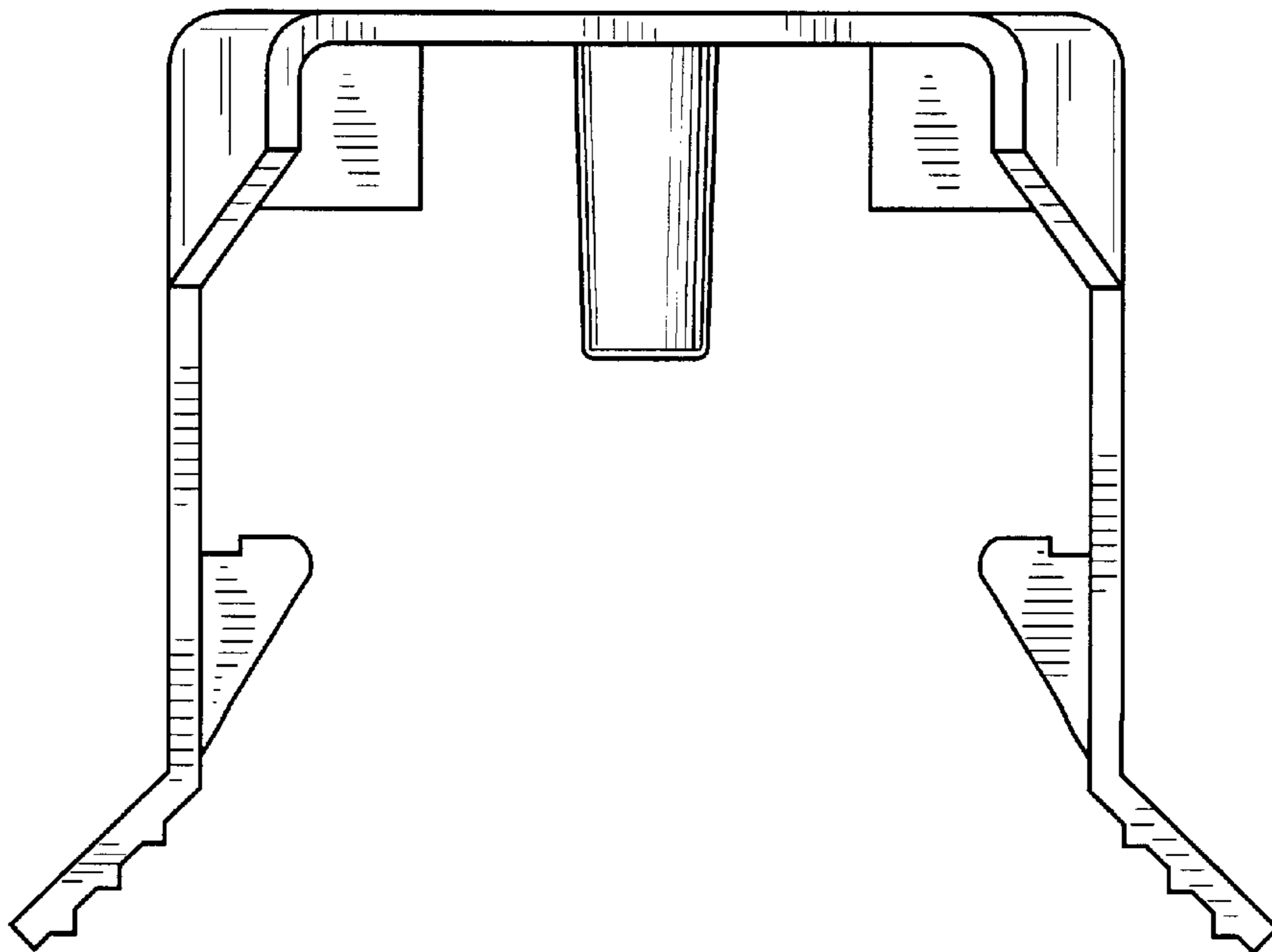
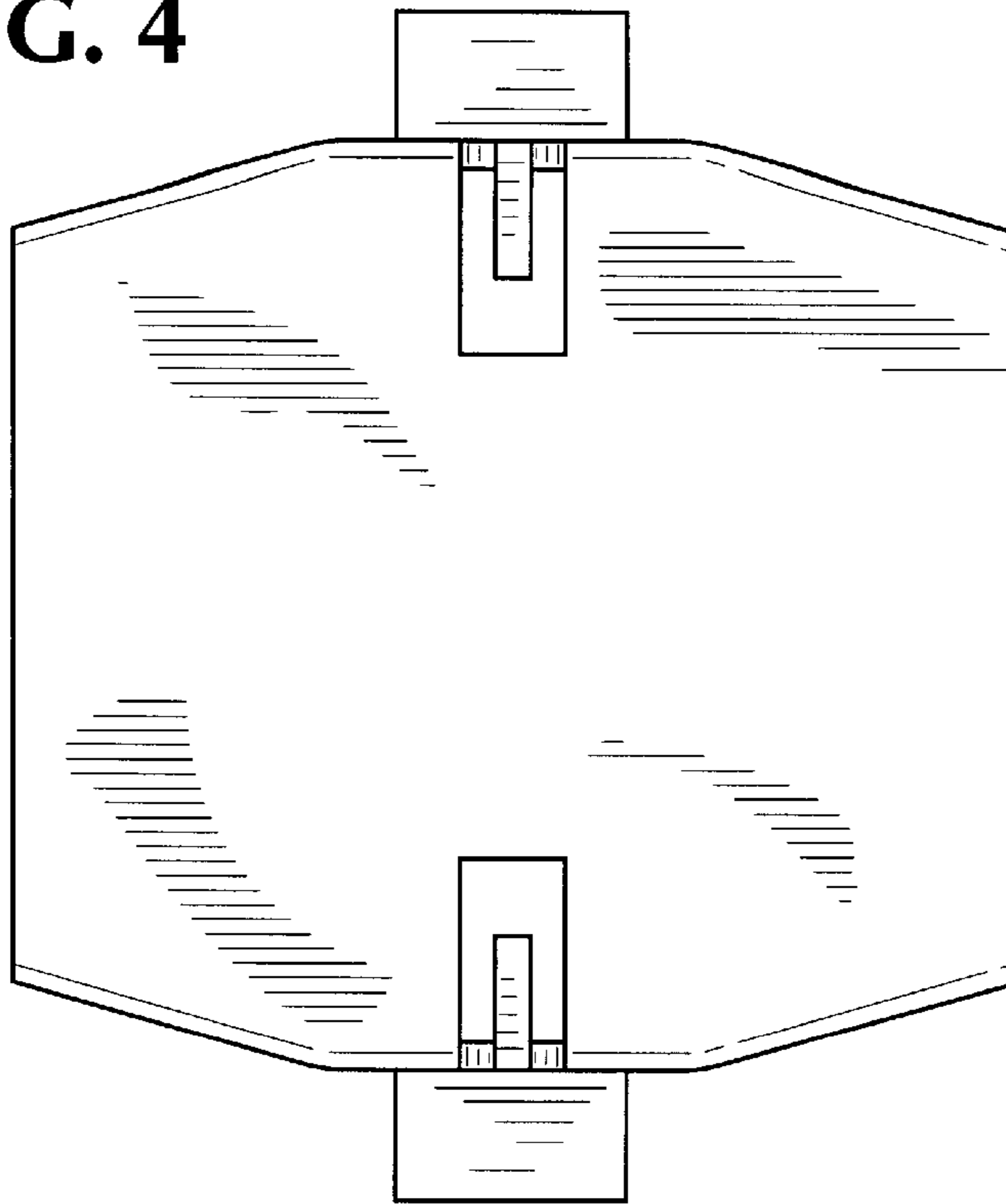


FIG. 3



**FIG. 4**



**FIG. 5**

