



US00D415563S

United States Patent [19] McKeone

[11] **Patent Number: Des. 415,563**

[45] **Date of Patent: ** Oct. 19, 1999**

[54] **WATER CLOSET**

D. 392,725 3/1998 Garza D23/295

[75] Inventor: **William C. McKeone**, Sheboygan, Wis.

OTHER PUBLICATIONS

Undated photo of an Imperial Bathroom Co. toilet.

[73] Assignee: **Kallista, Inc.**, San Leandro, Calif.

Primary Examiner—Louis S. Zarfes

[**] Term: **14 Years**

Assistant Examiner—Eric Watterson

[21] Appl. No.: **29/094,983**

Attorney, Agent, or Firm—Quarles & Brady LLP

[22] Filed: **Oct. 14, 1998**

[57] CLAIM

[51] **LOC (6) Cl.** **23-02**

The ornamental design for a water closet, as shown and described.

[52] **U.S. Cl.** **D23/301**

DESCRIPTION

[58] **Field of Search** D23/295–301;
4/306, 329–332, 353, 420–448, DIG. 15

FIG. 1 is a right, top, front perspective view of a water closet embodying my new design;

[56] References Cited

U.S. PATENT DOCUMENTS

D. 314,236	1/1991	Ament	D23/301
D. 323,880	2/1992	McKeone et al.	D23/295
D. 370,720	6/1996	Kaiser	D23/301
D. 379,405	5/1997	Shillington	D23/295
D. 387,858	12/1997	McKeone	D23/301
D. 390,930	2/1998	Slothower	D23/295

FIG. 2 is a front elevational view thereof;

FIG. 3 is a left side elevational view thereof, the right side elevational view being a mirror image of the left side shown; and,

FIG. 4 is a top plan view thereof.

The broken line showing is for illustrative purposes only and forms no part of the claimed design.

1 Claim, 2 Drawing Sheets

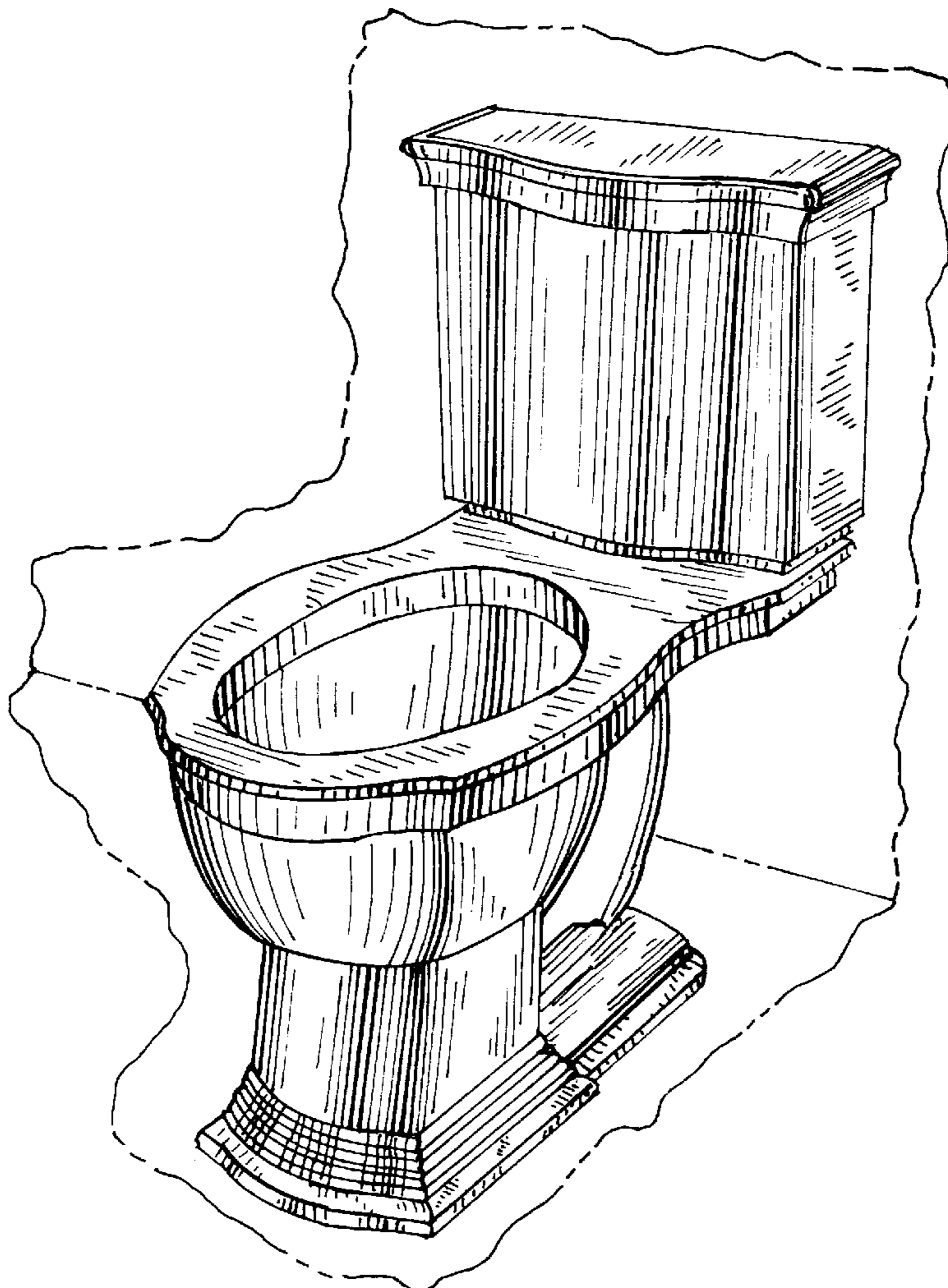


FIG. 1

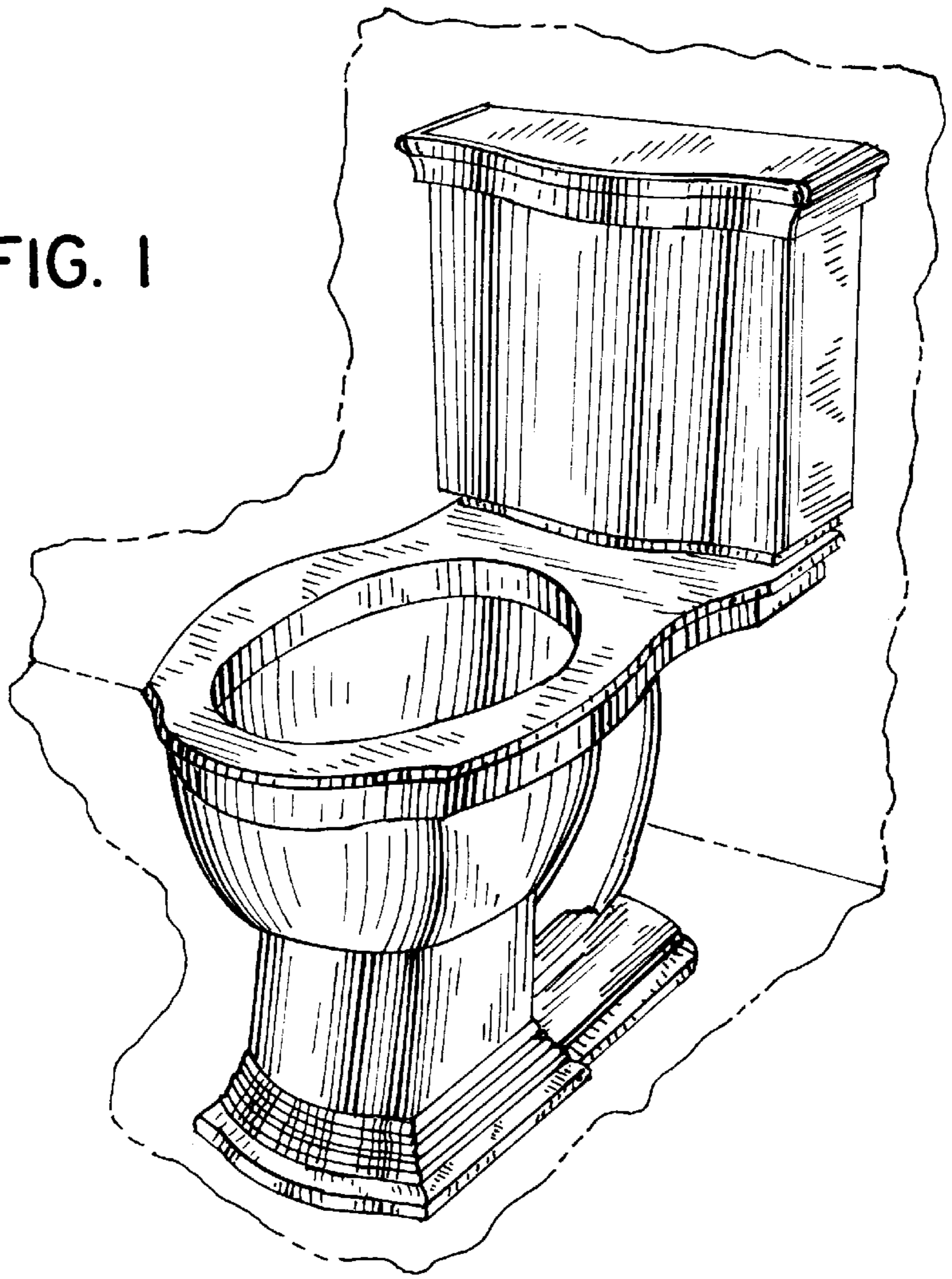


FIG. 4

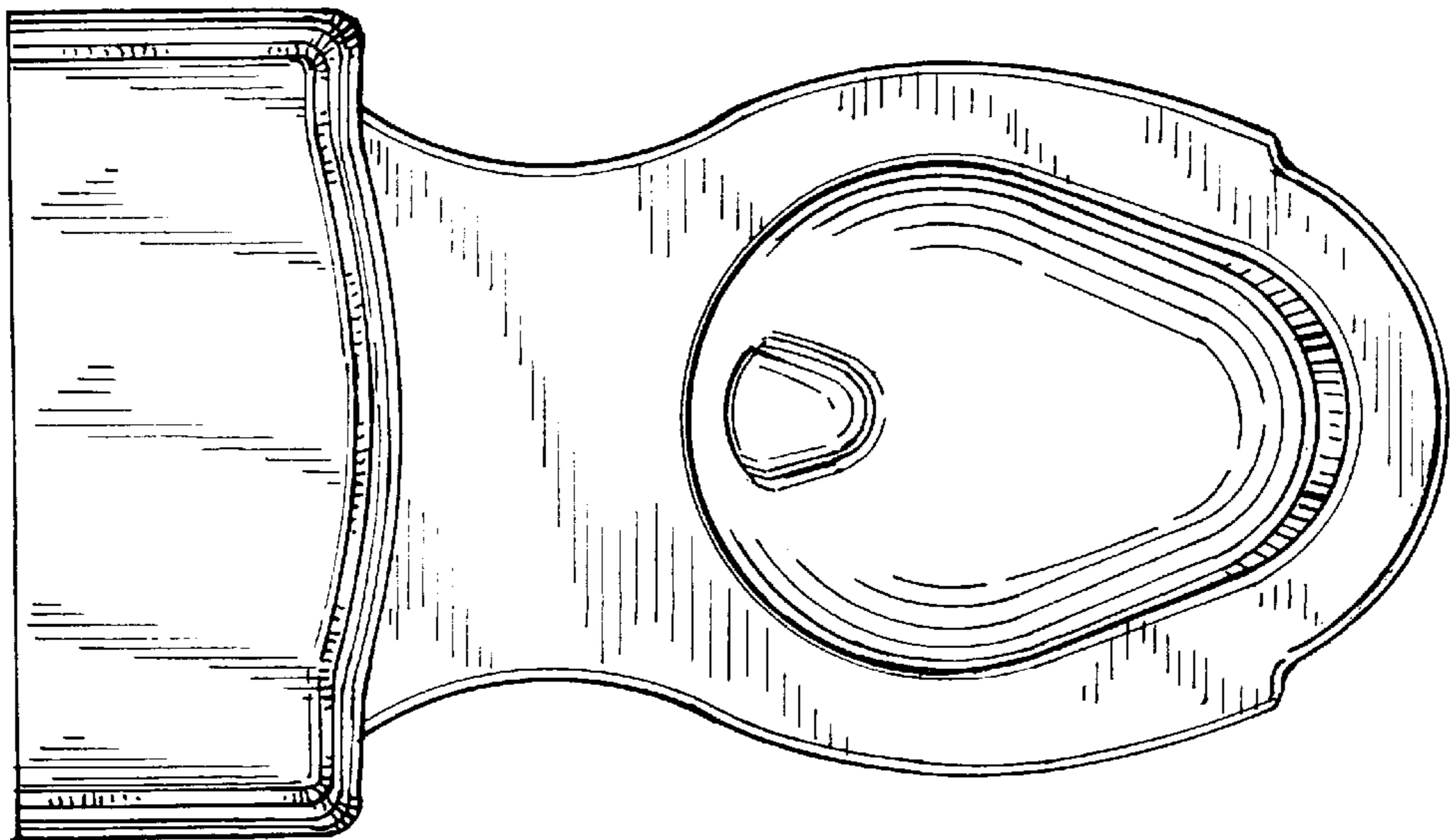


FIG. 2

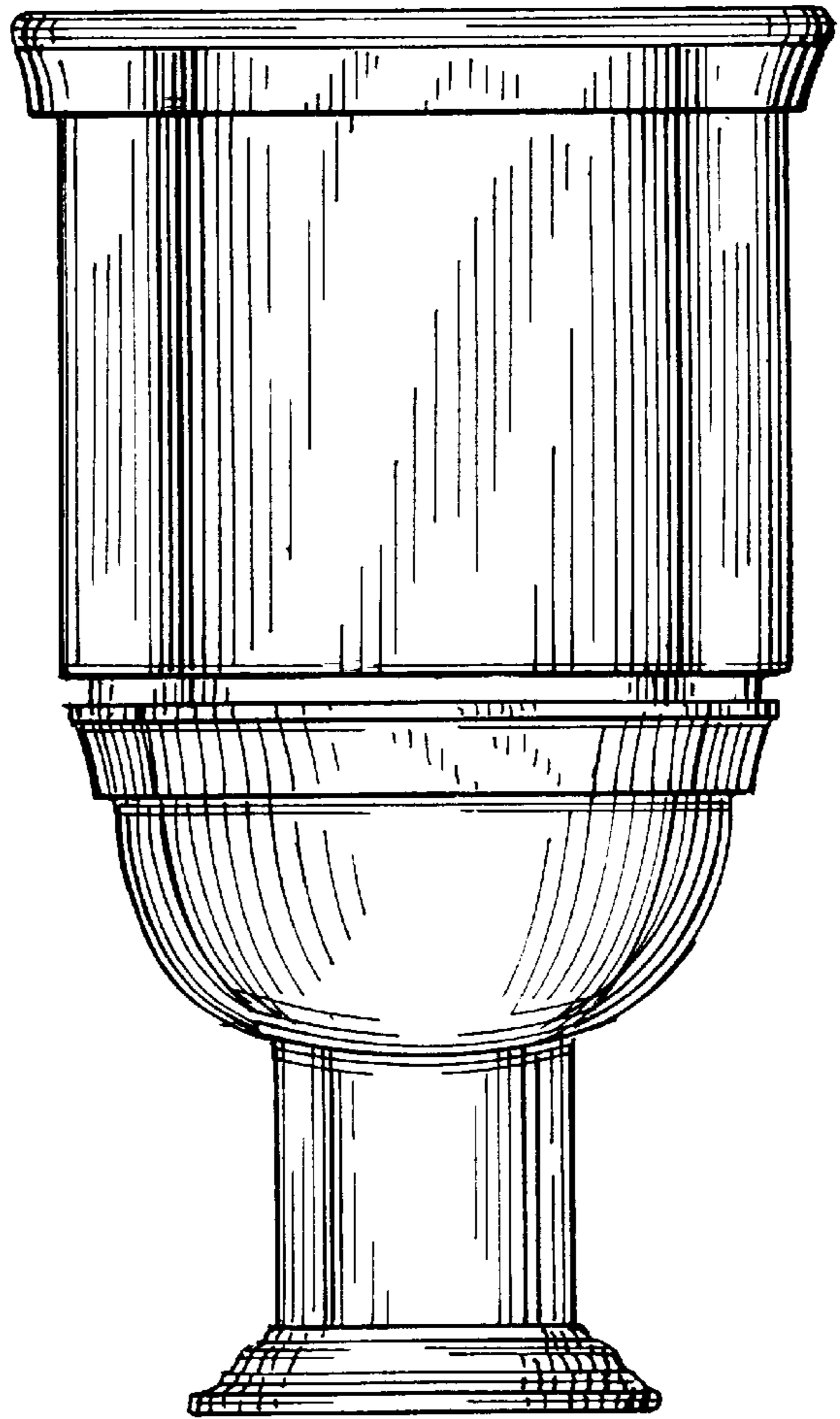


FIG. 3

