



US00D415562S

**United States Patent** [19]  
**Lobermeier**

[11] **Patent Number: Des. 415,562**

[45] **Date of Patent: \*\* Oct. 19, 1999**

[54] **WALL-MOUNTED SINGLE-HANDLE MIXING FAUCET**

[75] Inventor: **Hans Lobermeier**, Menden, Germany

[73] Assignee: **Friedrich Grohe AG**, Hemer, Germany

[\*\*] Term: **14 Years**

[21] Appl. No.: **29/094,007**

[22] Filed: **Sep. 23, 1998**

[30] **Foreign Application Priority Data**

Apr. 16, 1998 [DE] Germany ..... M9803680

[51] **LOC (6) Cl.** ..... **23-01**

[52] **U.S. Cl.** ..... **D23/243**

[58] **Field of Search** ..... D23/238-243,  
D23/250-257; D8/300-310; 4/675-678;  
137/801

[56] **References Cited**

**U.S. PATENT DOCUMENTS**

D. 61,953 2/1923 Hitchcock ..... D23/243  
D. 62,740 7/1923 Muend ..... D23/243

D. 312,118 11/1990 Son ..... D23/238  
D. 333,864 3/1993 Chretien ..... D23/238  
D. 347,264 5/1994 Gottwald ..... D23/238  
D. 365,624 12/1995 Gottwald ..... D23/238  
D. 366,097 1/1996 Gottwald ..... D23/238  
D. 378,774 4/1997 Kergoet ..... D23/238

*Primary Examiner*—Louis S. Zarfes  
*Assistant Examiner*—Eric Watterson  
*Attorney, Agent, or Firm*—Herbert Dubno

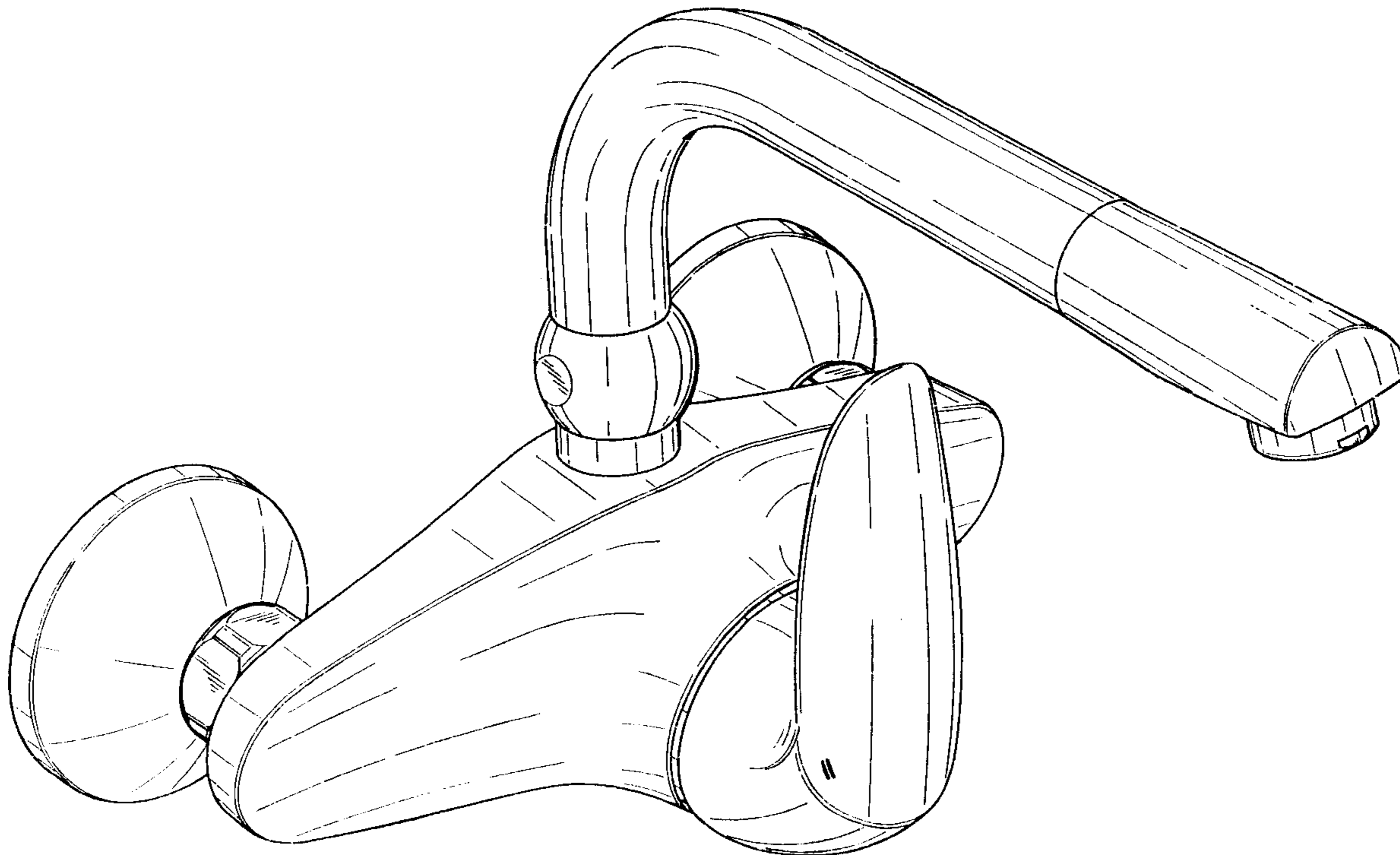
[57] **CLAIM**

The ornamental design for a wall-mounted single-handle mixing faucet, as shown and described.

**DESCRIPTION**

FIG. 1 is a top, front, left-side elevational view of a wall-mounted single-handle mixing faucet showing my new design;  
FIG. 2 is a rightside elevational view thereof, the left side elevational view being mirror symmetrical thereto;  
FIG. 3 is a front view thereof;  
FIG. 4 is a top view thereof;  
FIG. 5 is a bottom view thereof; and,  
FIG. 6 is a rear view thereof.

**1 Claim, 6 Drawing Sheets**



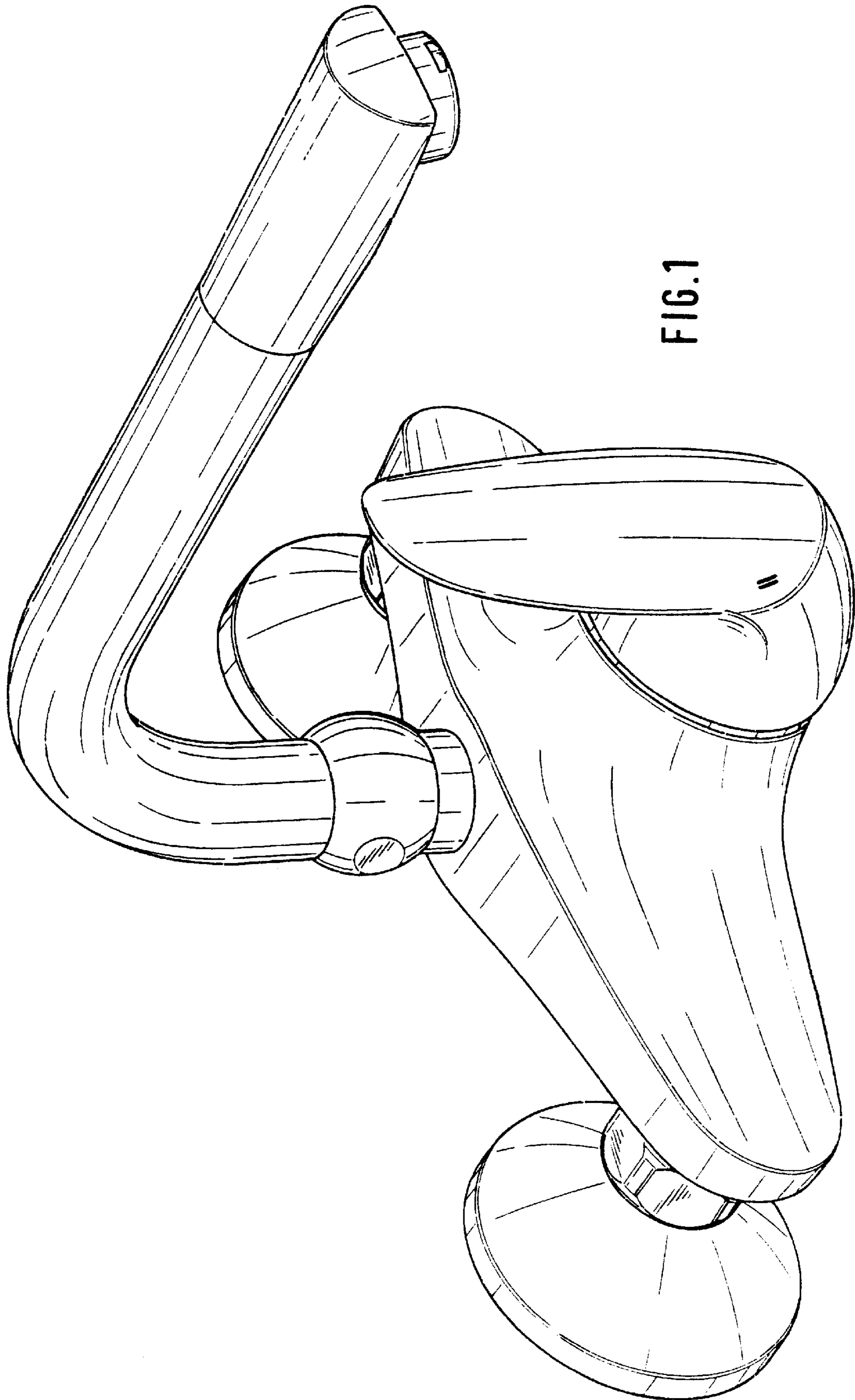


FIG. 1

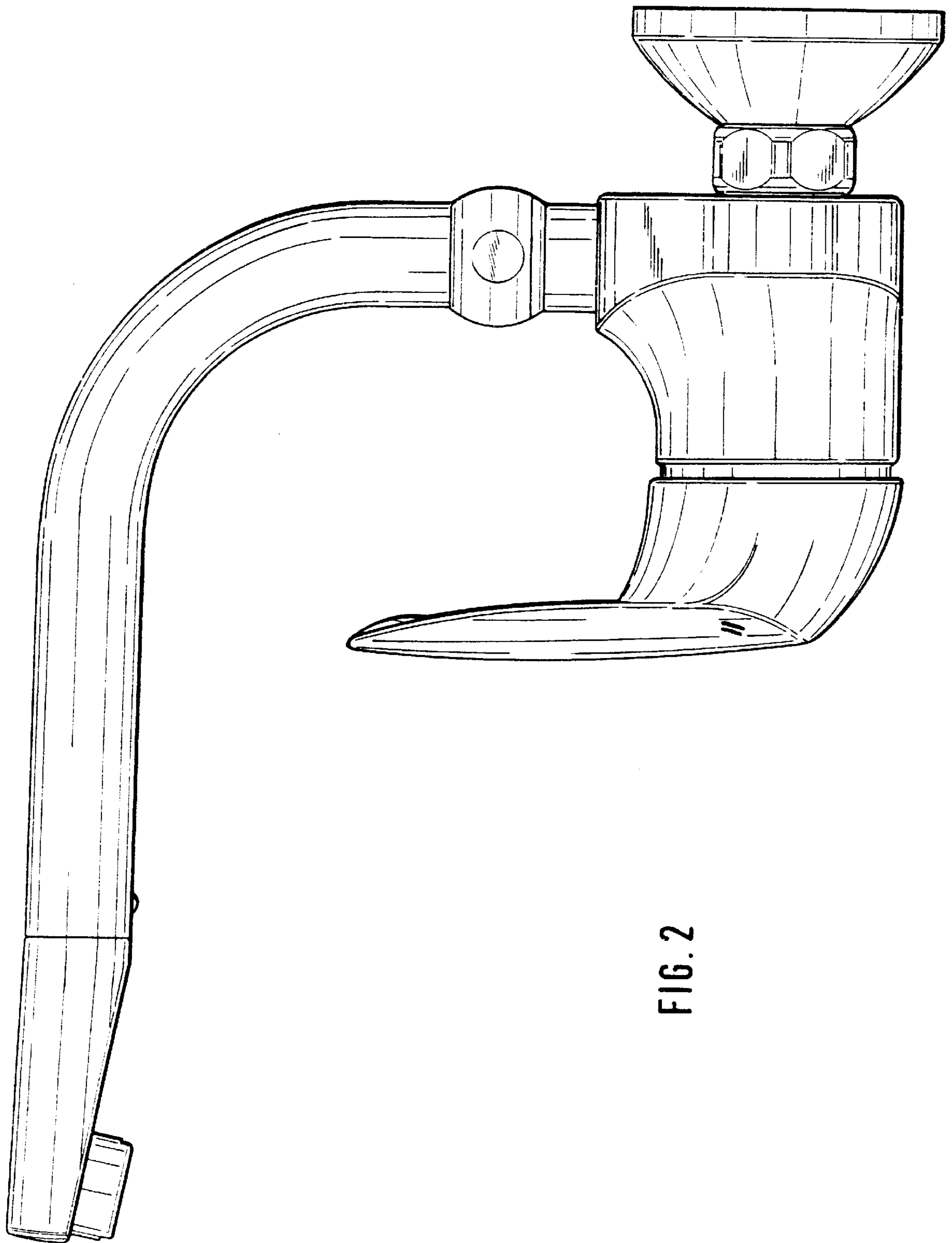
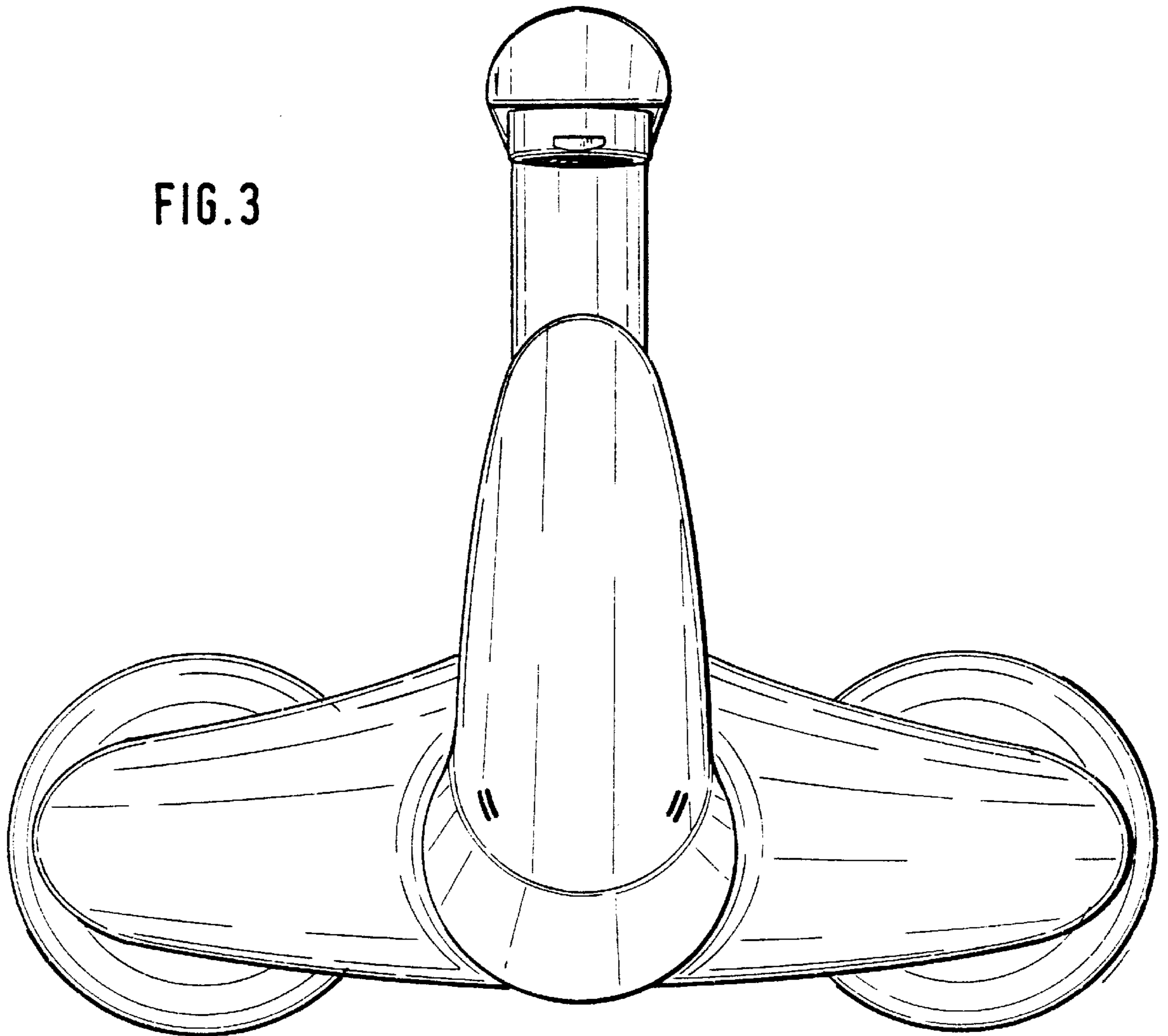


FIG. 2

FIG. 3



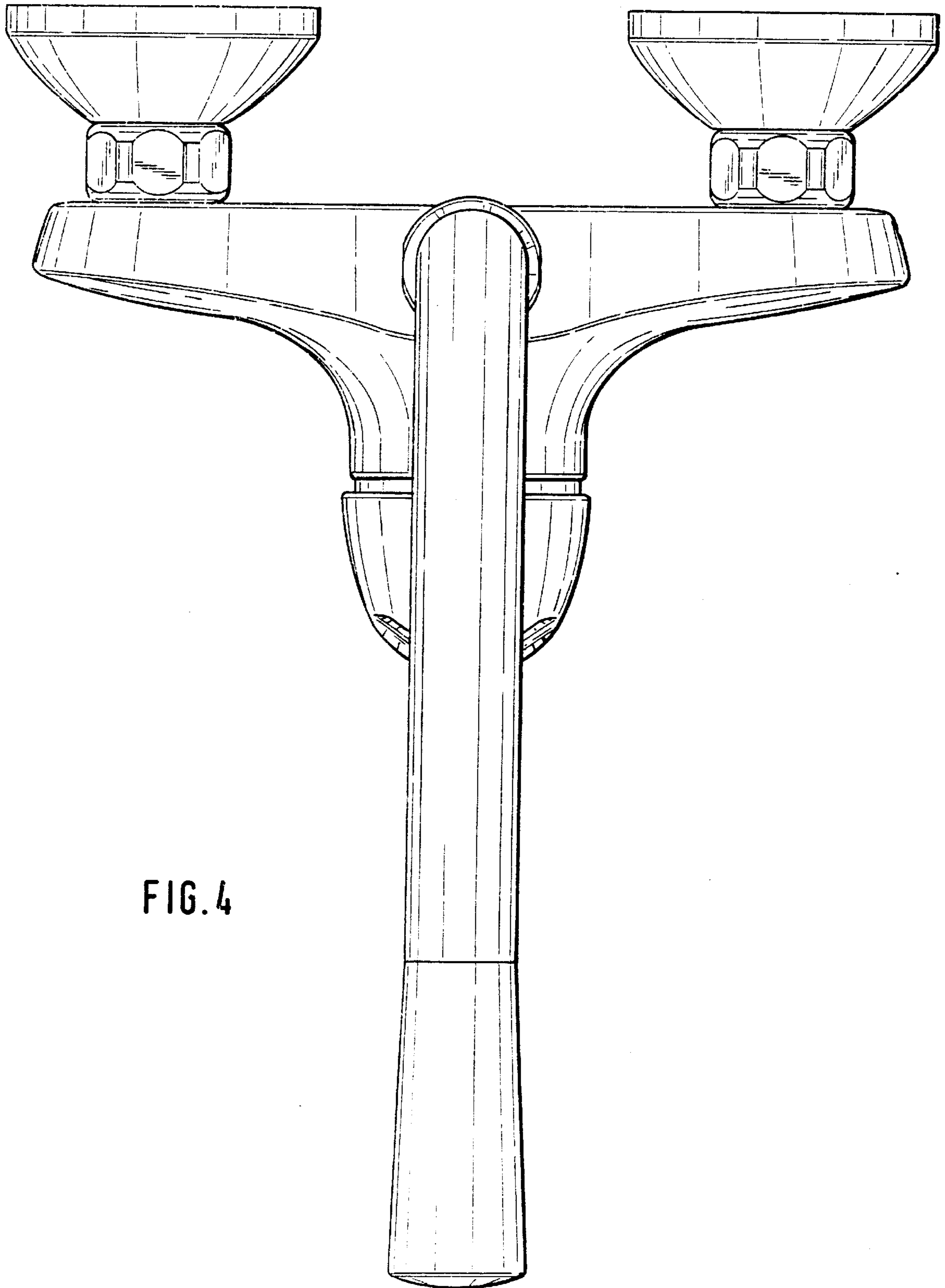


FIG. 4

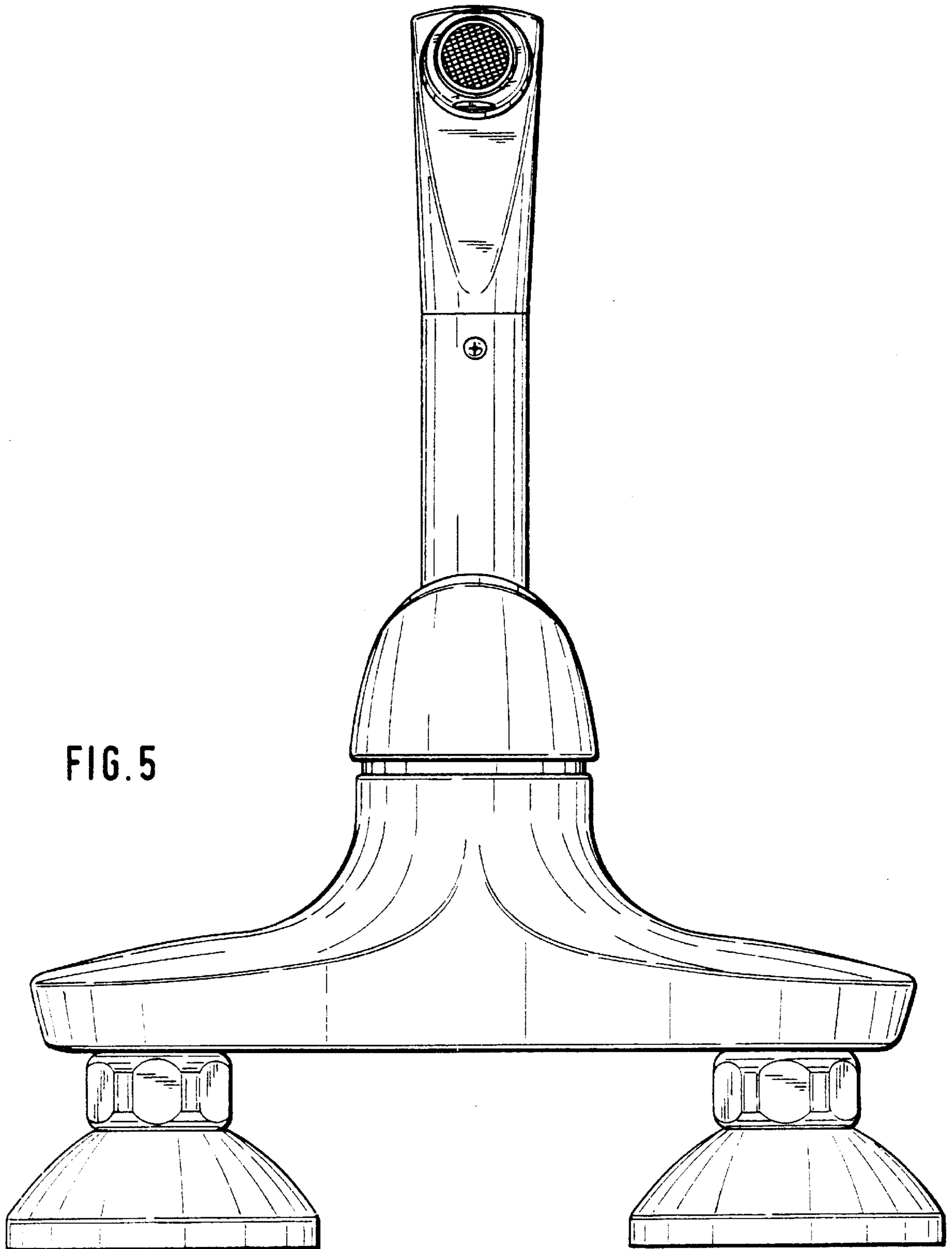


FIG. 5

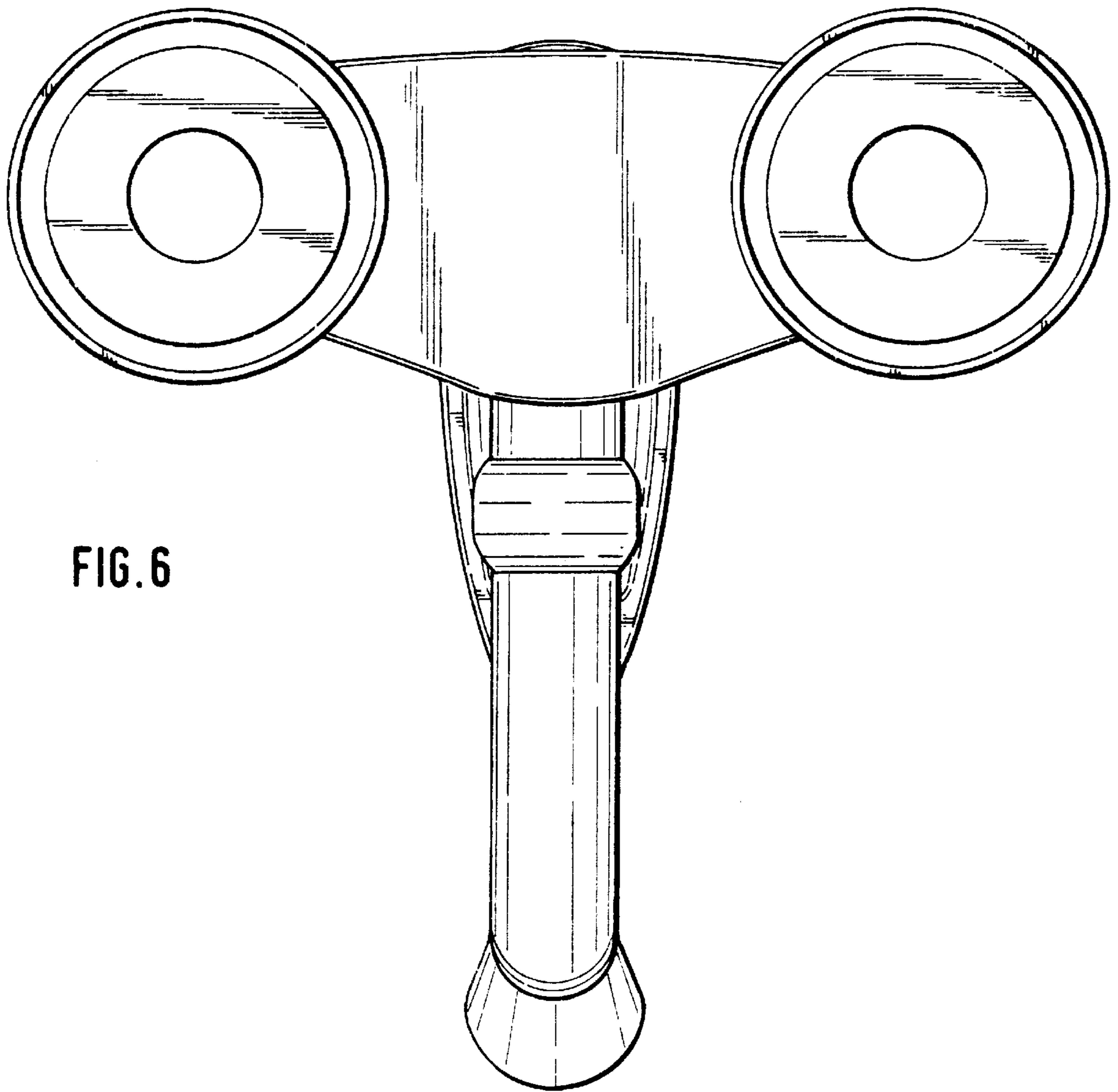


FIG. 6