



US00D41559S

# United States Patent [19]

Sato et al.

[11] Patent Number: Des. 415,559

[45] Date of Patent: \*\* Oct. 19, 1999

## [54] SOLENOID OPERATED PILOT VALVE

[75] Inventors: **Hideharu Sato; Takumi Matsumoto**, both of Ibaraki, Japan

[73] Assignee: **SMC Corporation**, Tokyo, Japan

[\*\*] Term: **14 Years**

[21] Appl. No.: **29/094,663**

[22] Filed: **Oct. 7, 1998**

### [30] Foreign Application Priority Data

Apr. 13, 1998 [JP] Japan ..... 10-10528

[51] LOC (6) Cl. .... **23-01**

[52] U.S. Cl. .... **D23/233**

[58] Field of Search ..... D23/233-237, D23/245, 248; 137/596.13, 596.16, 884, 625.64

### [56] References Cited

#### U.S. PATENT DOCUMENTS

|            |         |                |       |            |
|------------|---------|----------------|-------|------------|
| D. 200,454 | 2/1965  | Everitt        | ..... | D23/233    |
| D. 246,908 | 1/1978  | Fetty          | ..... | D23/233    |
| D. 390,636 | 2/1998  | Hayashi et al. | ..... | D23/233    |
| 4,856,560  | 8/1989  | Neff et al.    | ..... | 137/884    |
| 4,889,164  | 12/1989 | Hozumi et al.  | ..... | 137/625.64 |
| 5,437,306  | 8/1995  | Asou et al.    | ..... | 137/625.64 |
| 5,555,911  | 9/1996  | Fukano et al.  | ..... | 137/625.64 |
| 5,699,834  | 12/1997 | Hayashi et al. | ..... | 137/884    |

## OTHER PUBLICATIONS

The design of the present application was displayed at IFPEX '97 Exhibition—Oct. 21–24, 1997.

*Primary Examiner*—Robin V. Taylor  
*Attorney, Agent, or Firm*—Oblon, Spivak, McClelland, Maier & Neustadt, P.C.

## [57] CLAIM

The ornamental design for solenoid operated pilot valve, as shown and described.

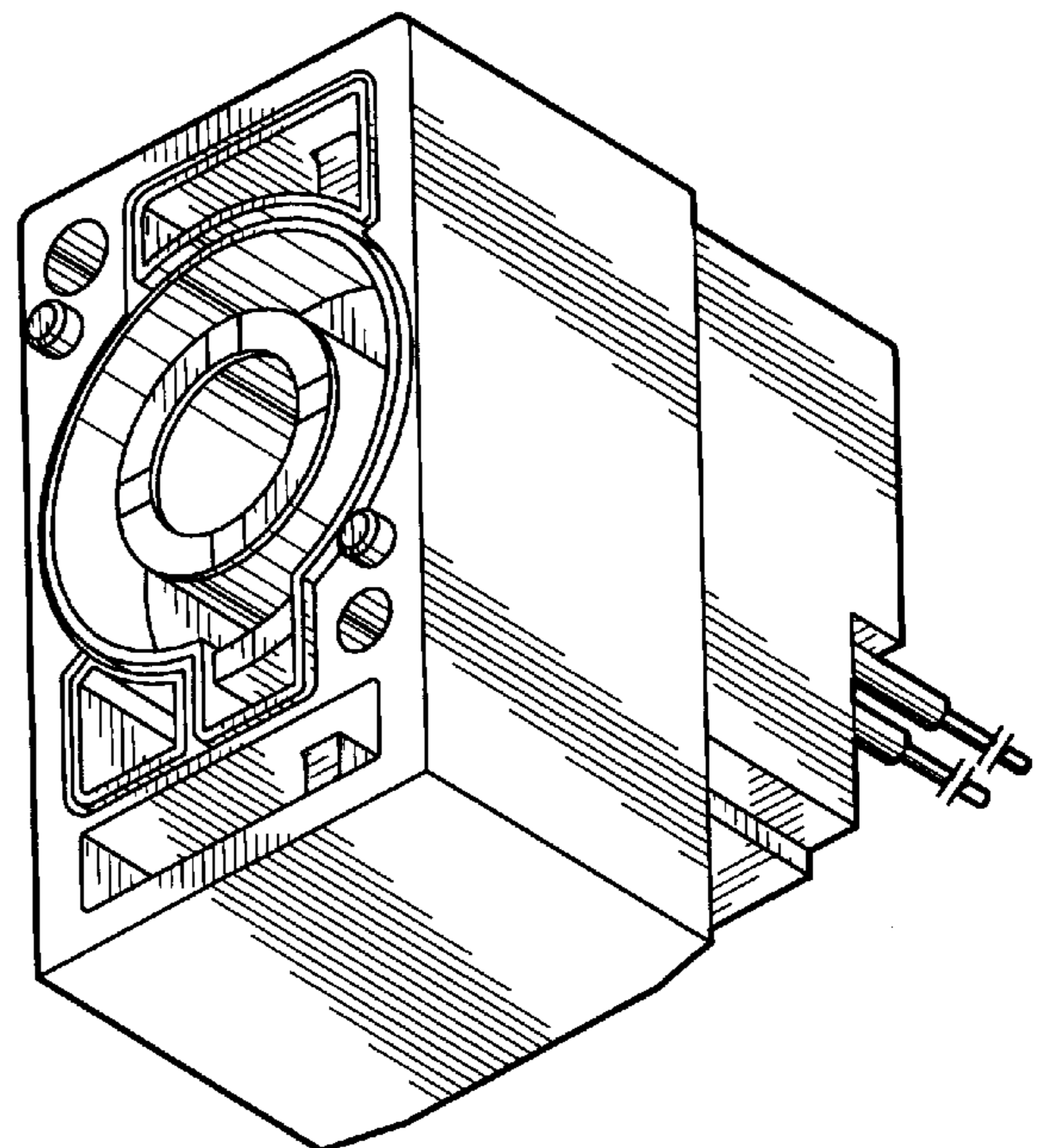
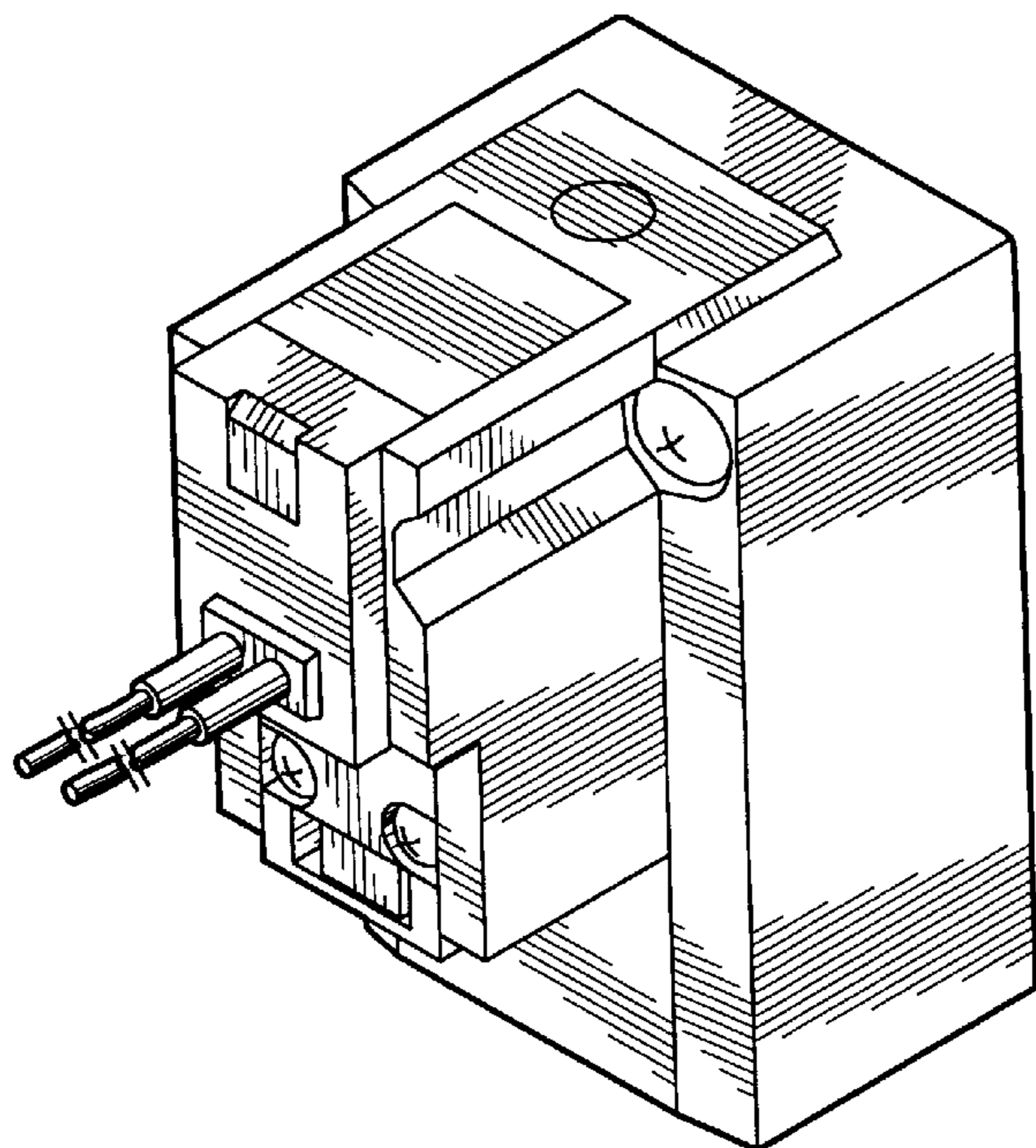
## DESCRIPTION

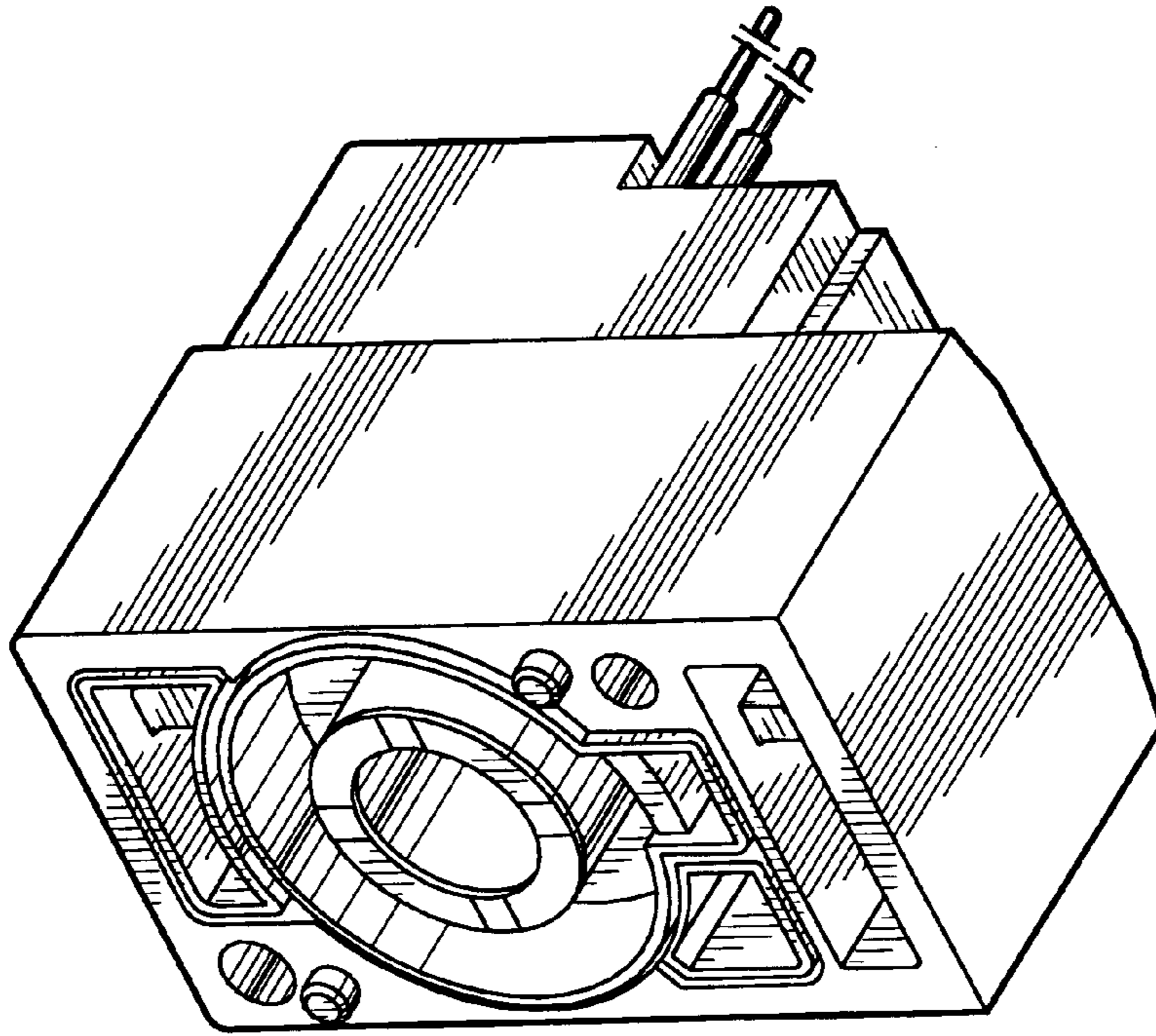
FIG. 1 is a top, front and left side perspective view of solenoid operated pilot valve embodying our new design; FIG. 2 is a bottom, rear and right side perspective view thereof; FIG. 3 is a front elevational view thereof; FIG. 4 is a rear elevational view thereof; FIG. 5 is a top plan view thereof; FIG. 6 is a bottom plan view thereof; FIG. 7 is a left side elevational view thereof; FIG. 8 is a right side elevational view thereof; and, FIG. 9 is a top, front and left side elevational view thereof when in use with a main valve.

The main valve shown in broken lines in FIG. 9 is shown for illustrative purposes only and forms no part of the claimed design.

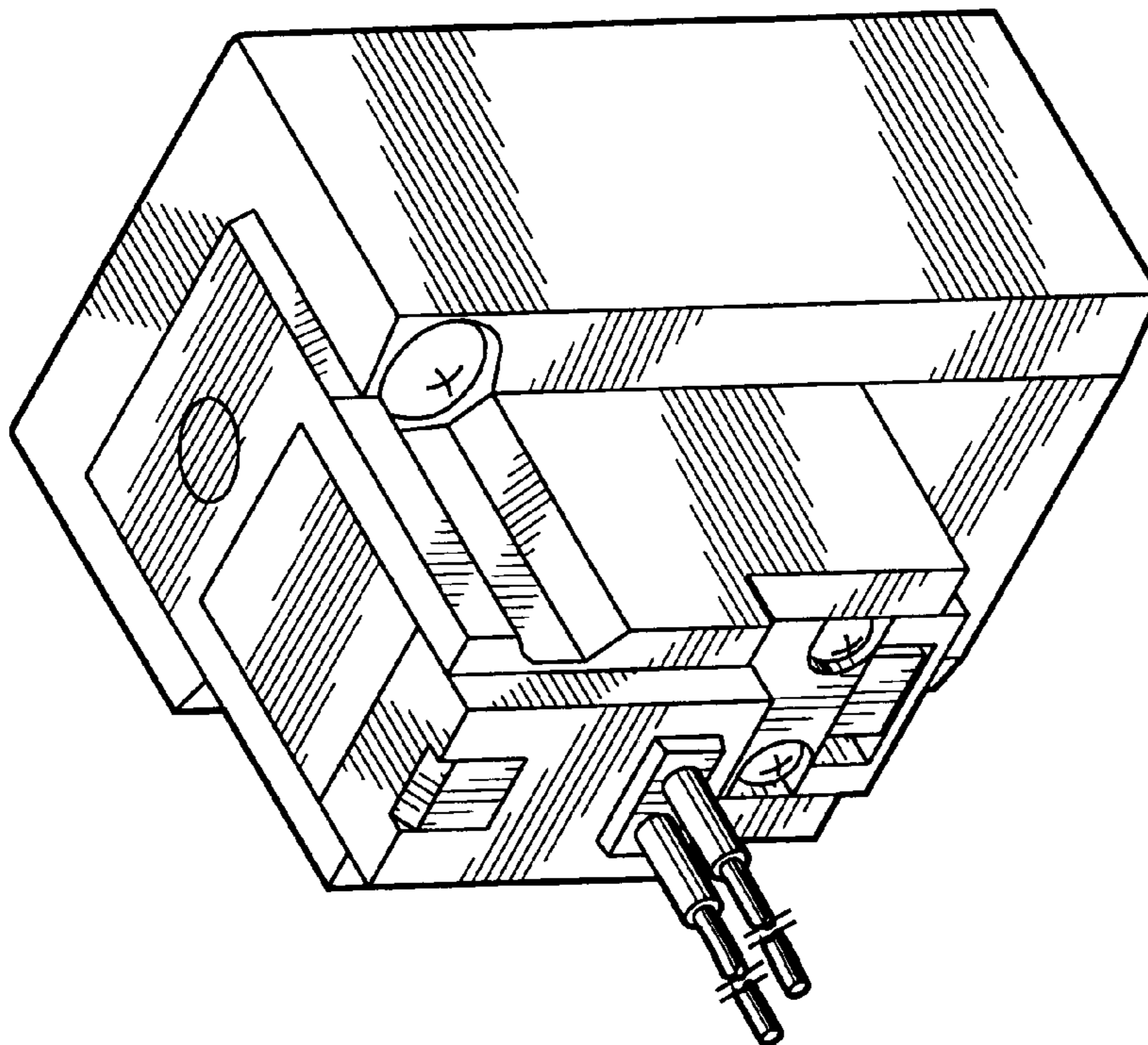
The prongs are shown fragmented to indicate indeterminate length.

**1 Claim, 3 Drawing Sheets**

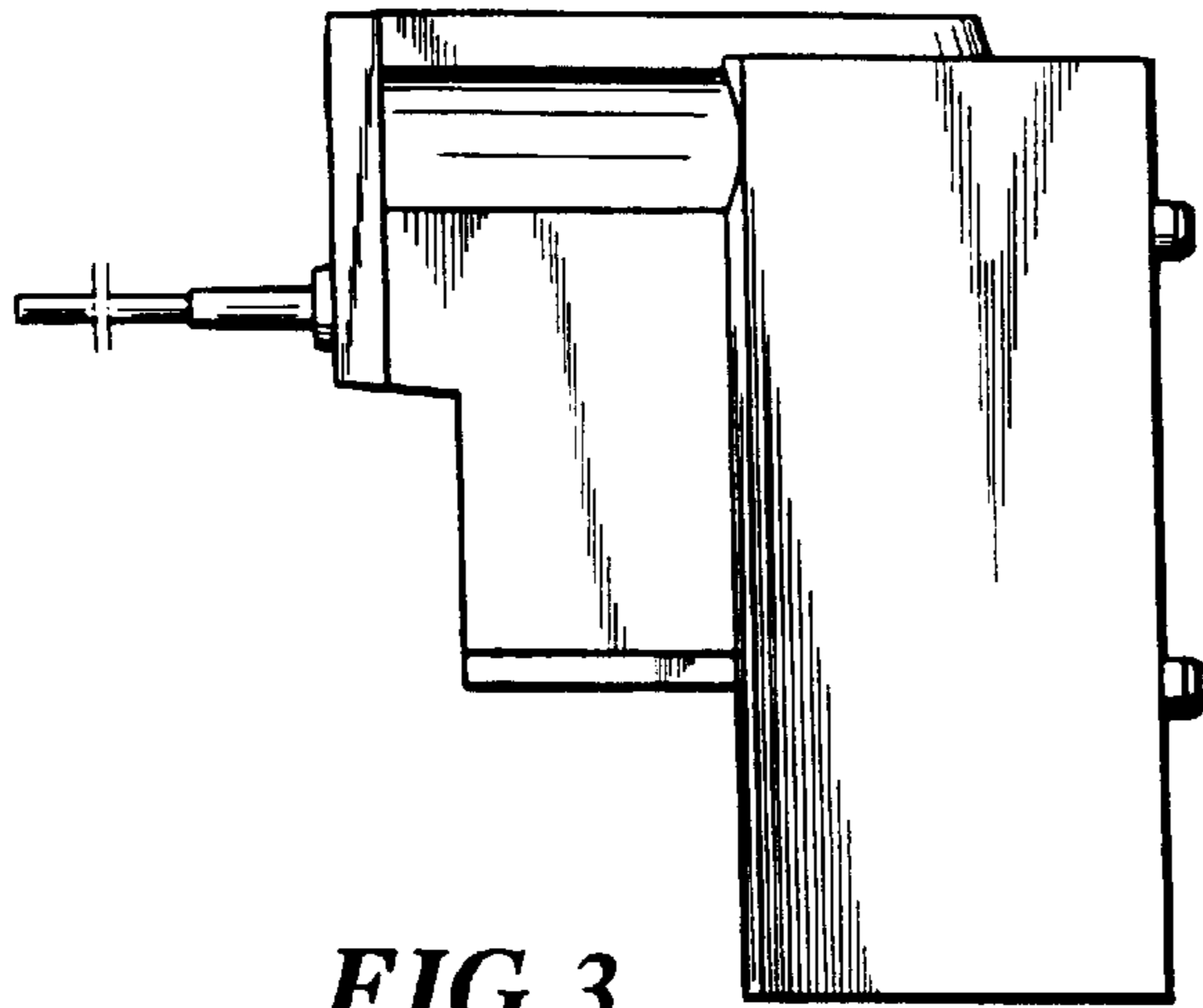




*FIG. 2*



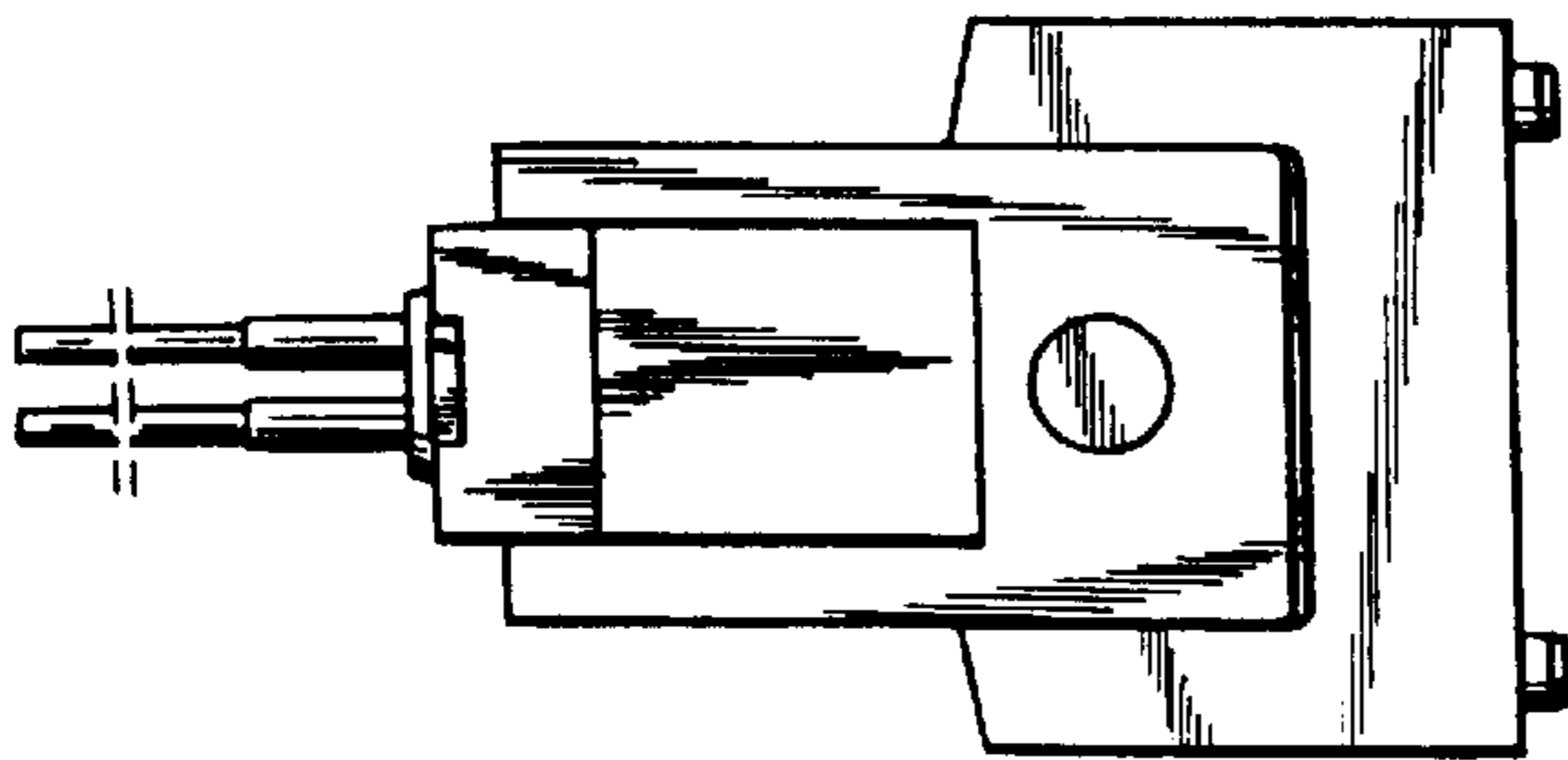
*FIG. 1*



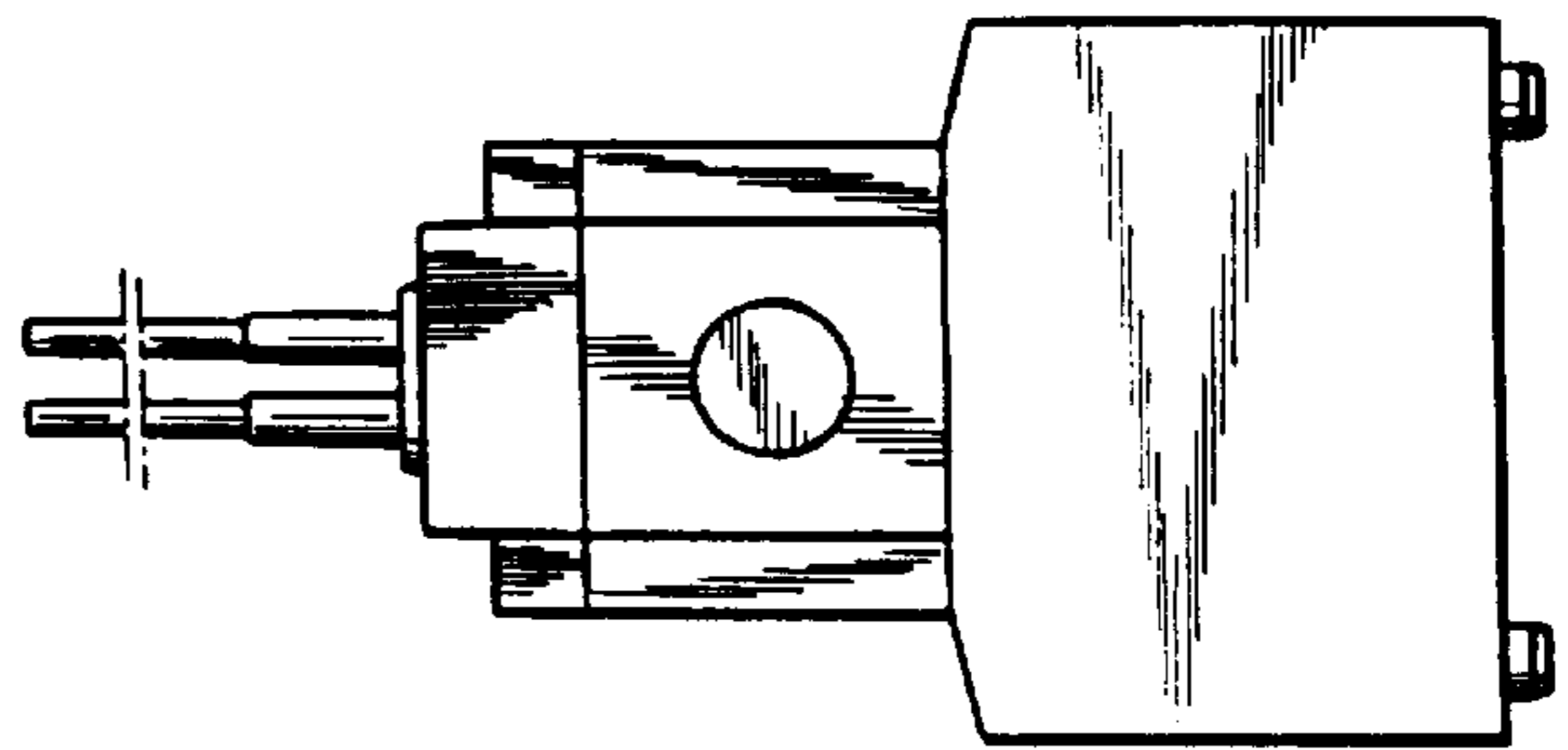
**FIG. 3**



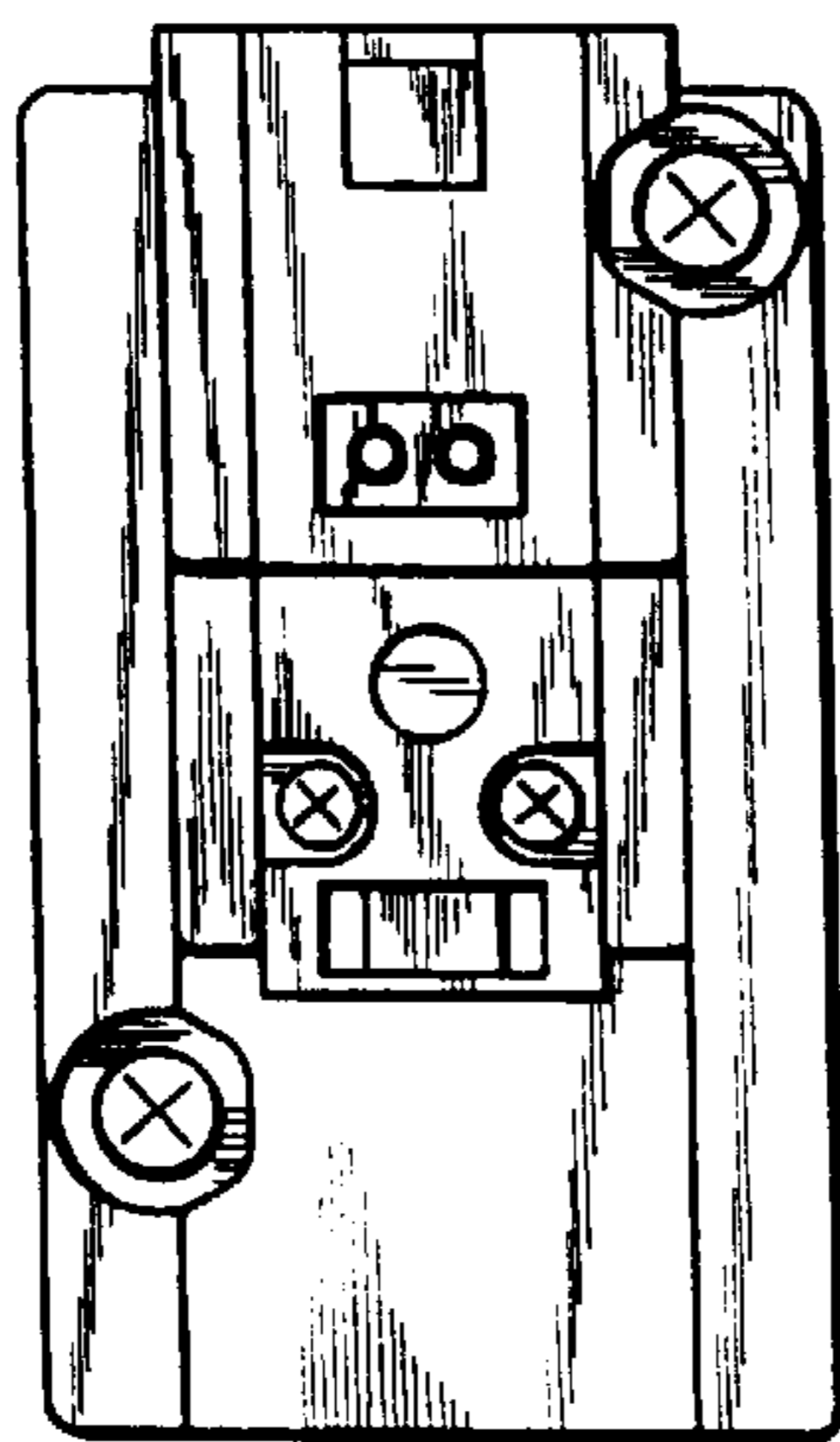
**FIG. 4**



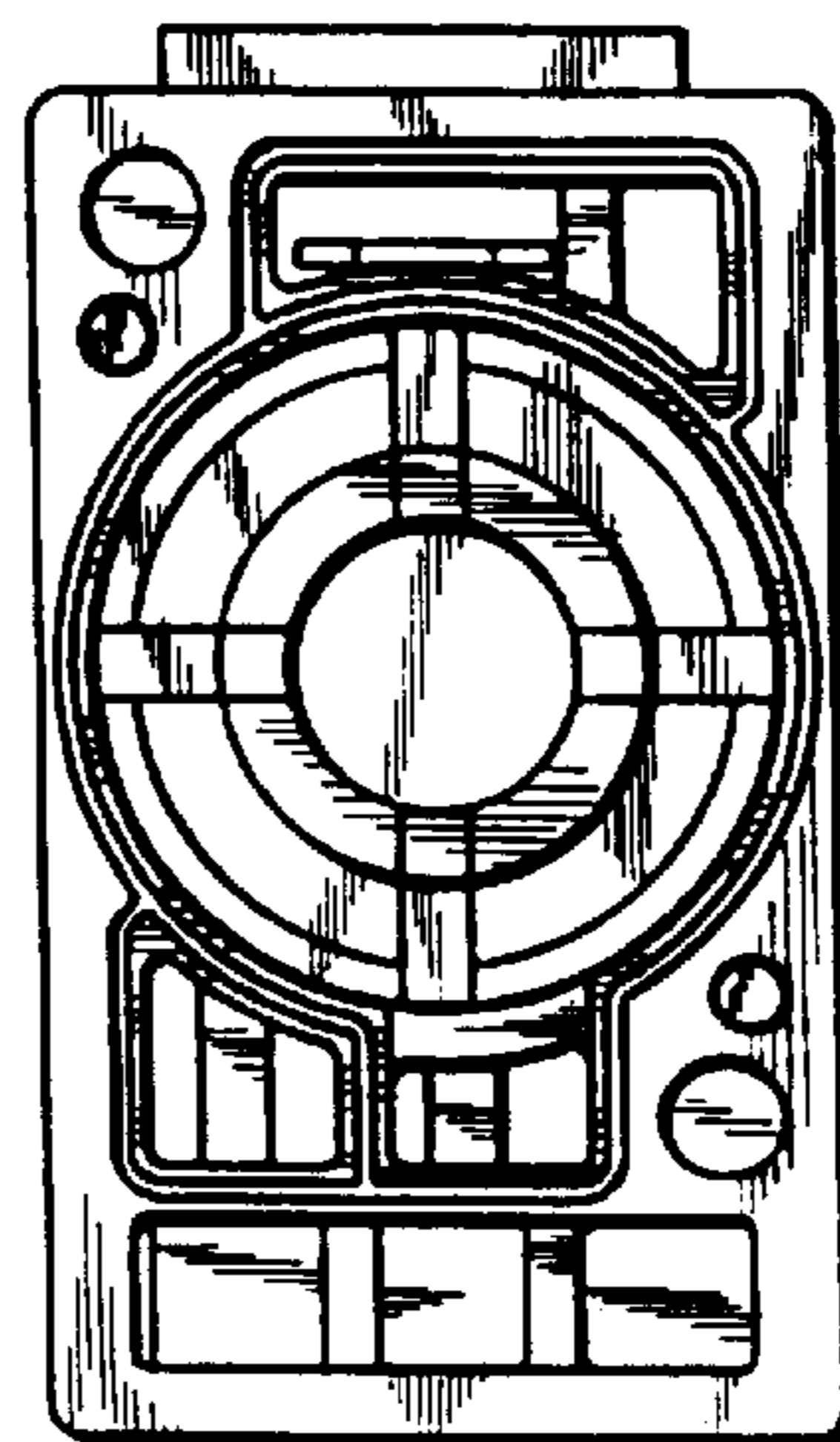
**FIG. 5**



**FIG. 6**



**FIG. 7**



**FIG. 8**

