



US00D415558S

United States Patent [19]

Sato et al.

[11] **Patent Number: Des. 415,558**

[45] **Date of Patent: ** Oct. 19, 1999**

[54] **ELECTROMAGNETIC VALVE**

[75] Inventors: **Hideharu Sato; Takumi Matsumoto,**
both of Yawara-mura, Japan

[73] Assignee: **SMC Corporation,** Tokyo, Japan

[**] Term: **14 Years**

[21] Appl. No.: **29/063,097**

[22] Filed: **Nov. 26, 1996**

[30] **Foreign Application Priority Data**

May 28, 1996 [JP] Japan 8-15452

[51] **LOC (6) Cl.** **23-01**

[52] **U.S. Cl.** **D23/233**

[58] **Field of Search** D23/233-237,
D23/244-248; 137/625.64, 884, 596.13,
596.16

[56] **References Cited**

U.S. PATENT DOCUMENTS

3,504,704 4/1970 Beckett et al. 137/625.64

4,889,164 12/1989 Hozumi et al. 137/625.64
5,437,306 8/1995 Asou et al. 137/625.64
5,699,830 12/1997 Hayasi et al. 137/884
5,699,834 12/1997 Hayashi et al. 137/884

Primary Examiner—Robin V. Taylor
Attorney, Agent, or Firm—Oblon, Spivak, McClelland,
Maier & Neustadt, P.C.

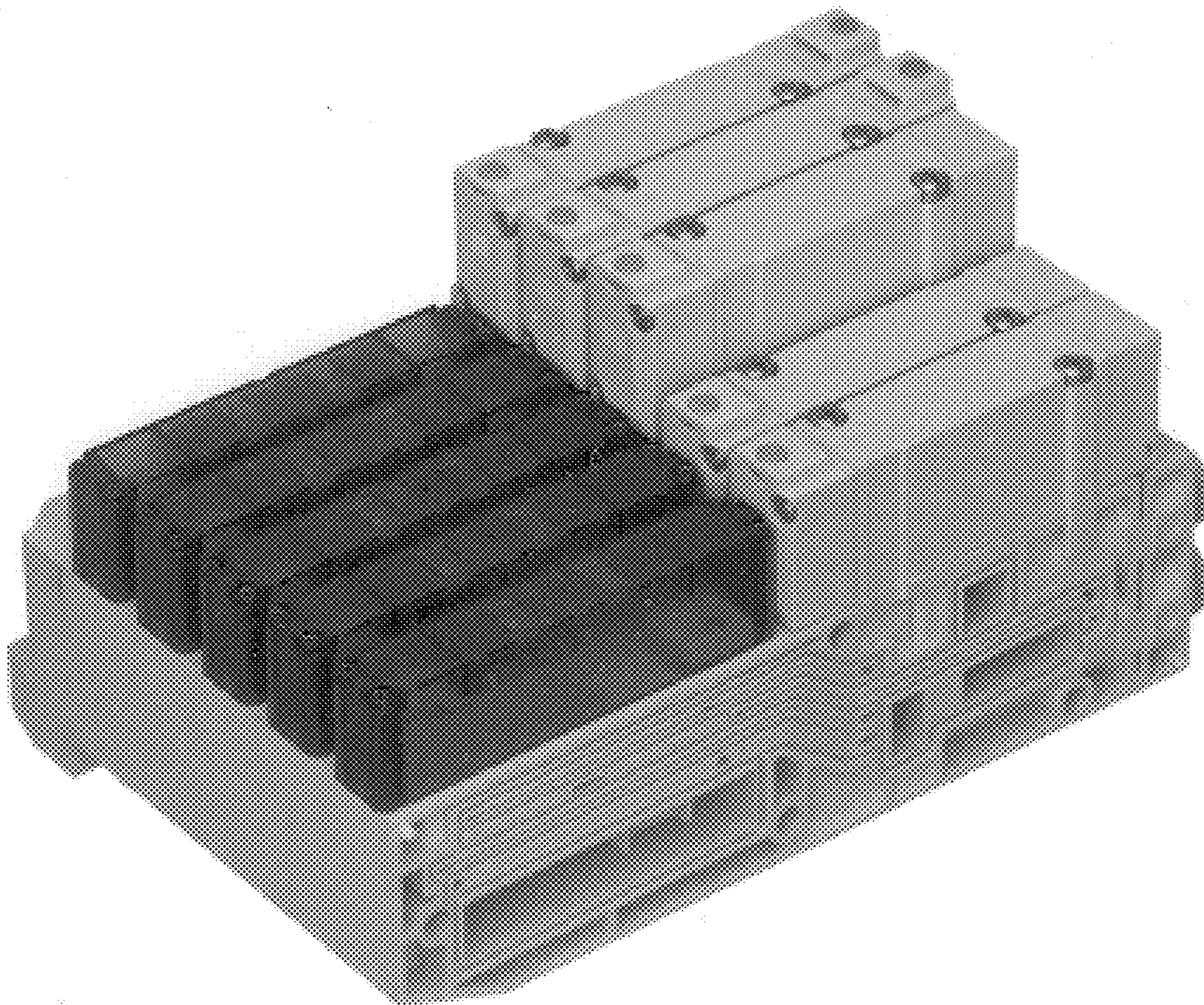
[57] **CLAIM**

The ornamental design for electromagnetic valve, as shown and described.

DESCRIPTION

FIG. 1 is a top, front and left side perspective view of electromagnetic valve embodying our new design; FIG. 2 is a bottom, rear and left side perspective view thereof; FIG. 3 is a front elevational view thereof; FIG. 4 is a rear elevational view thereof; FIG. 5 is a right side elevational view thereof; FIG. 6 is a left side elevational view thereof; FIG. 7 is a top plan view thereof; and, FIG. 8 is a bottom plan view thereof.

1 Claim, 4 Drawing Sheets



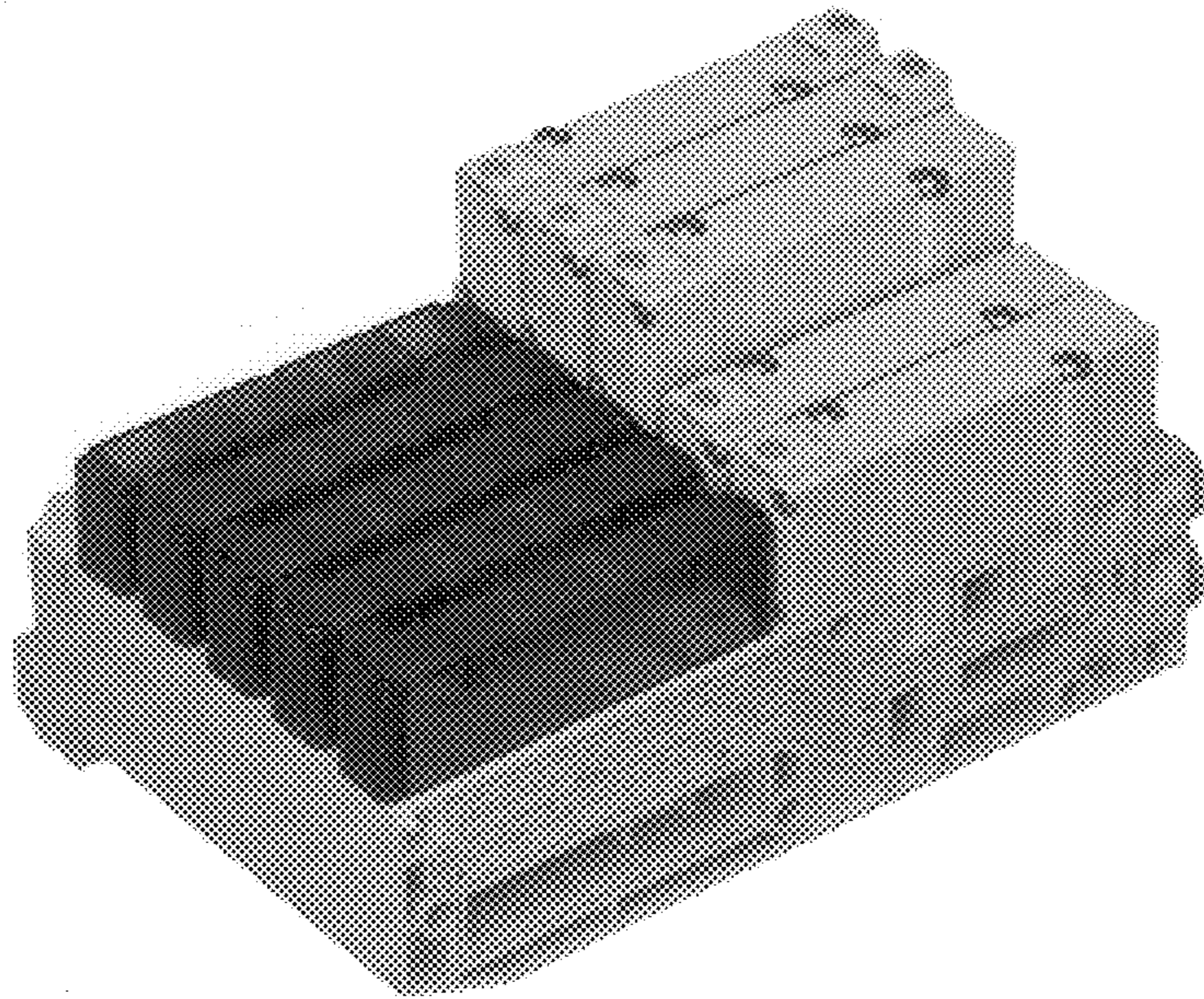


FIG. 1

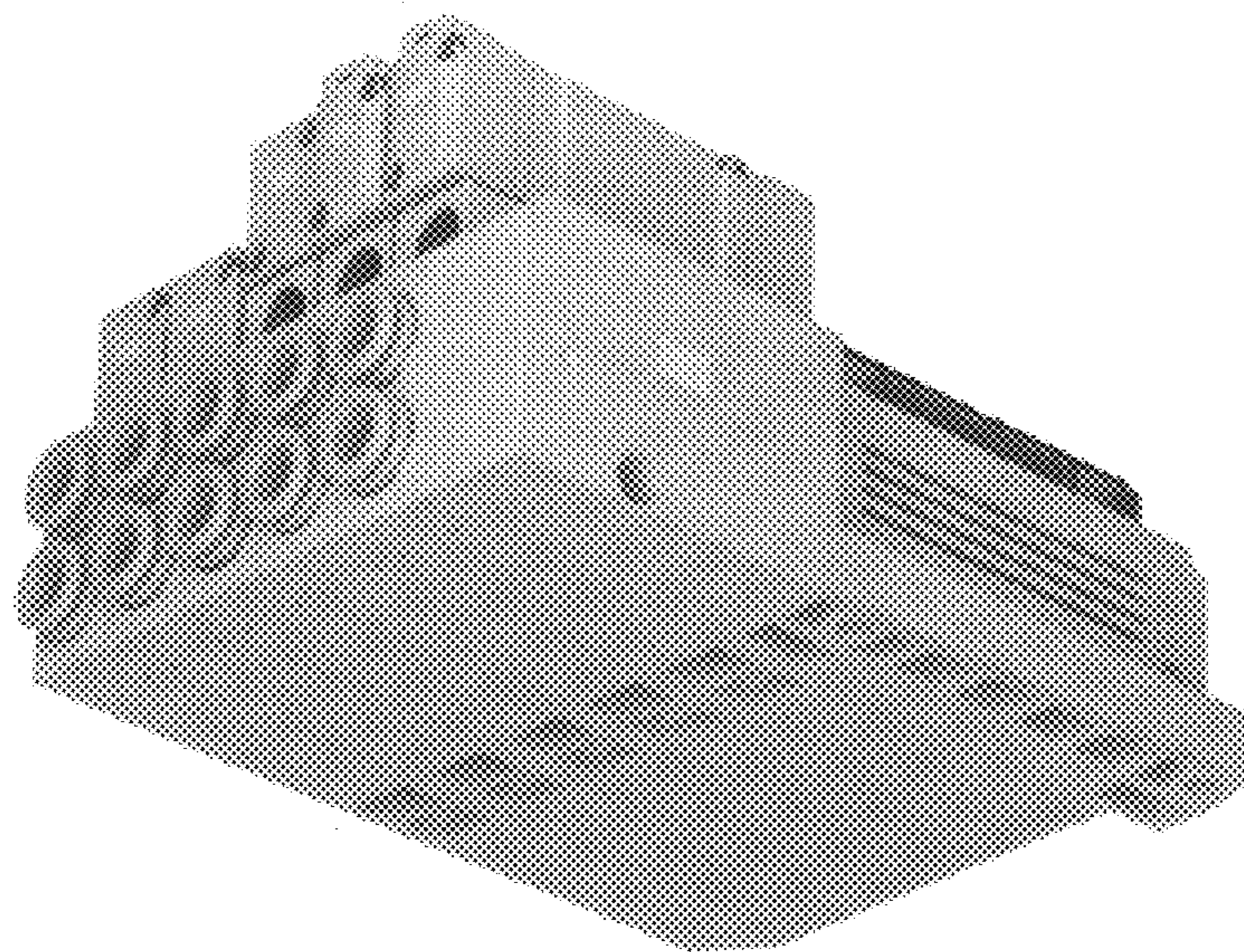


FIG. 2

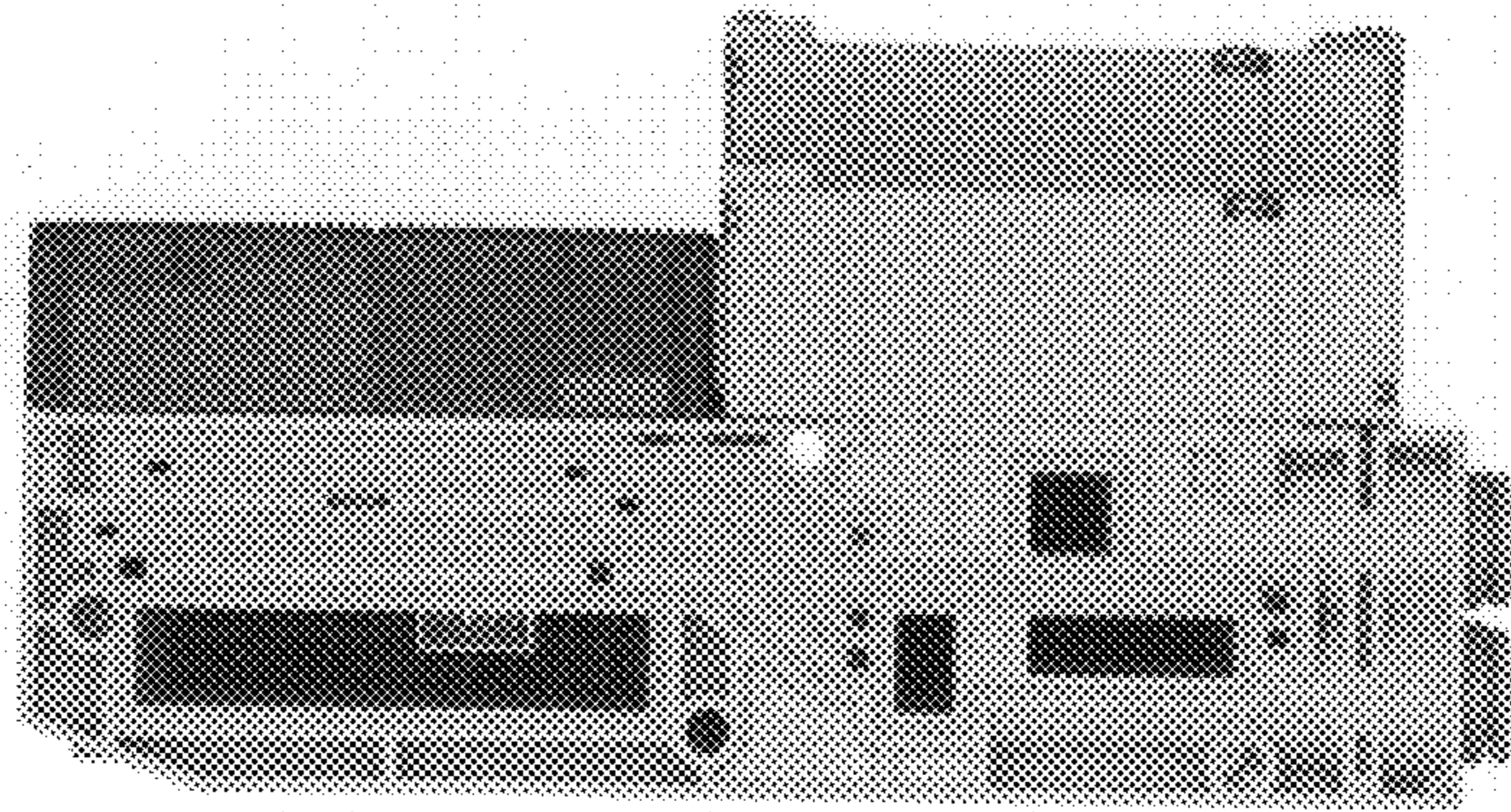


FIG. 3

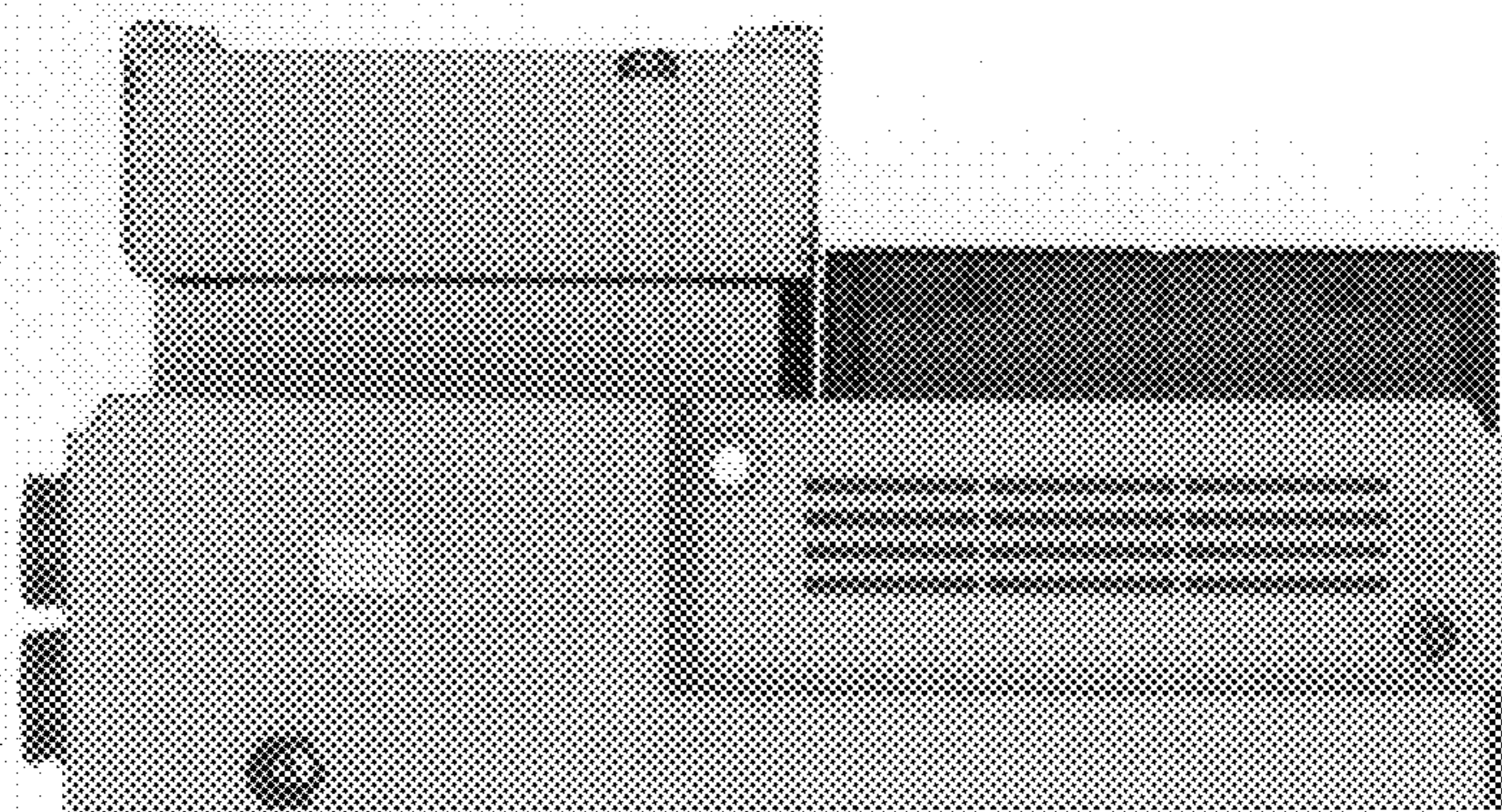


FIG. 4

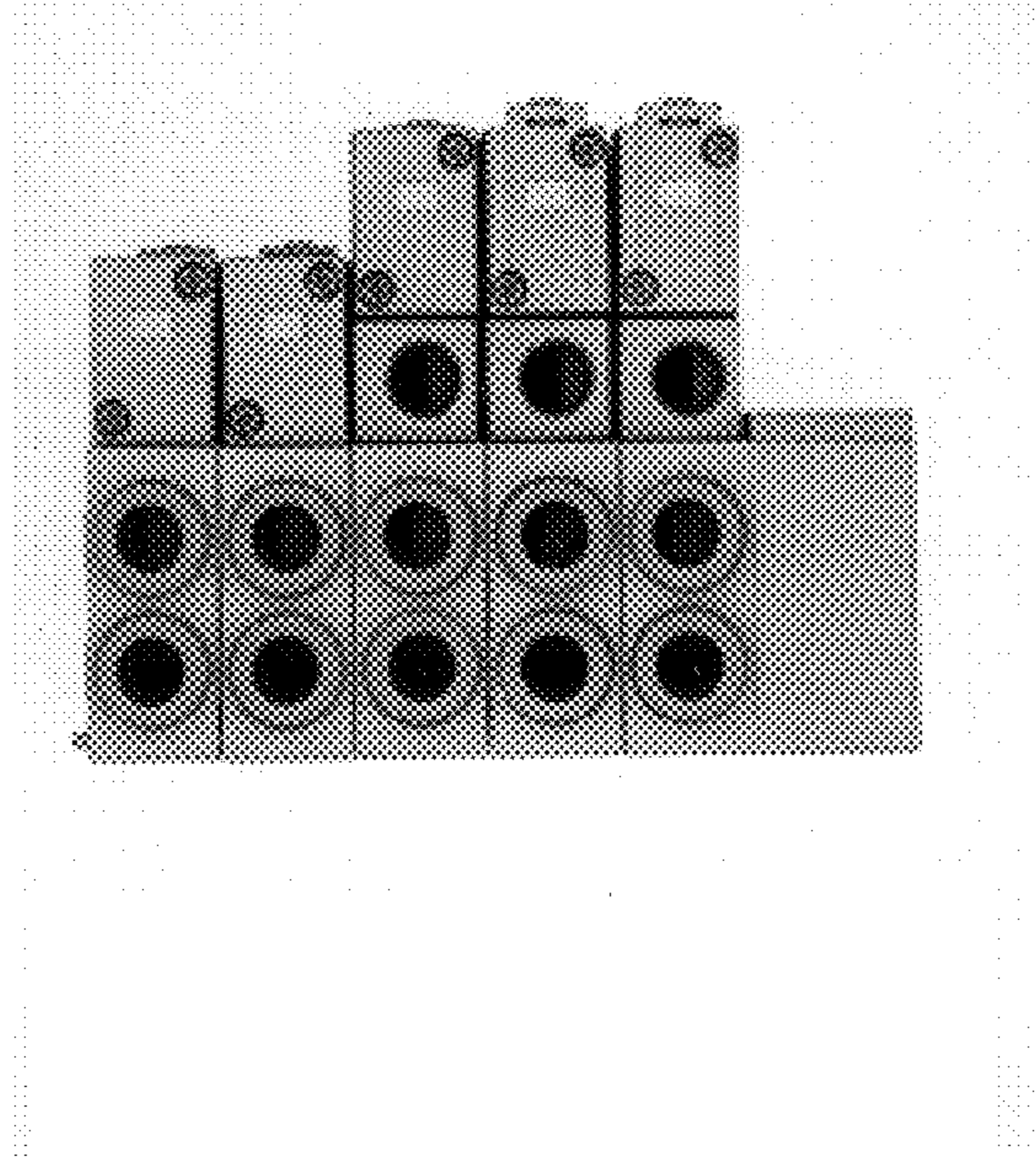


FIG. 5

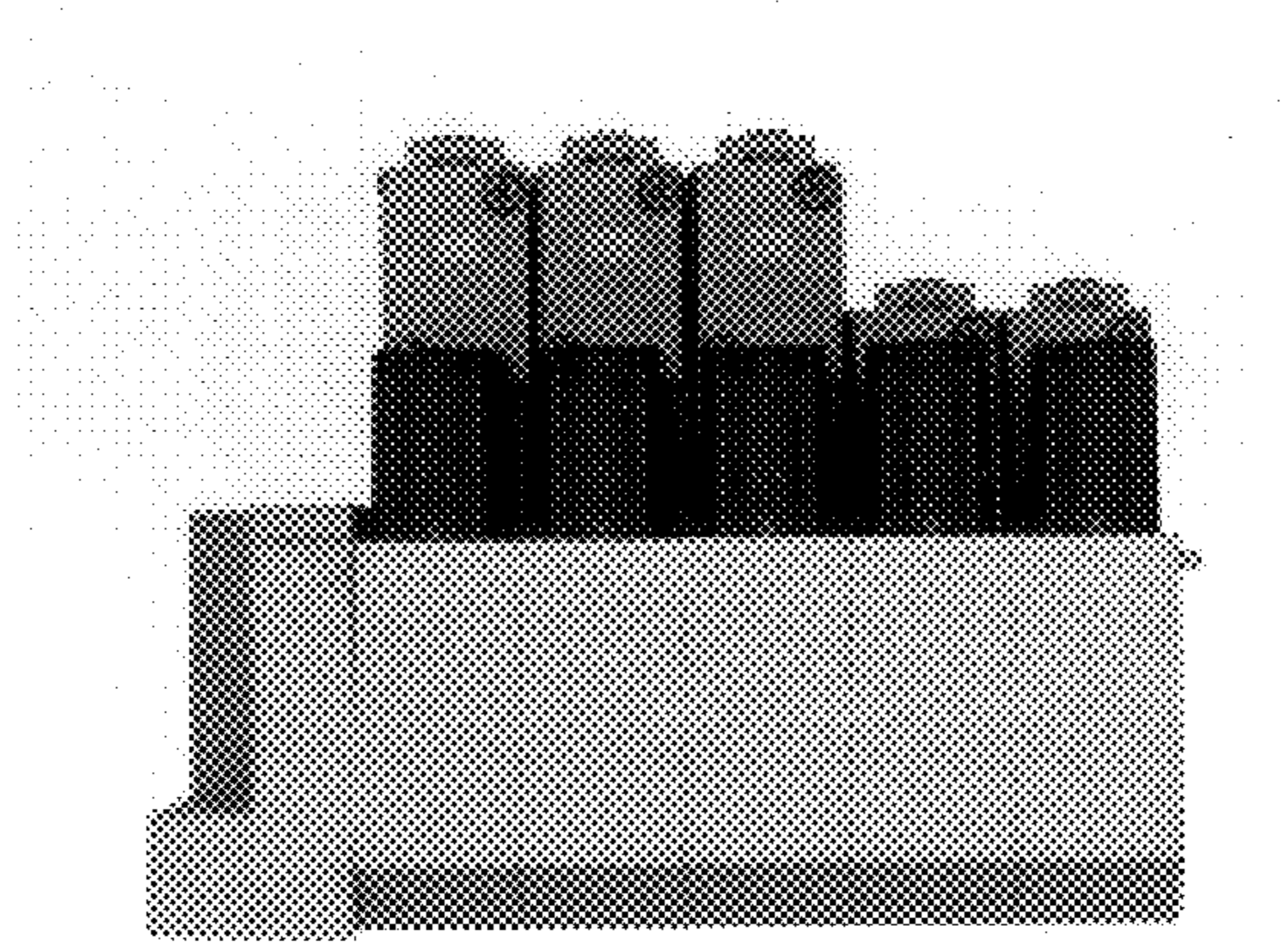


FIG. 6

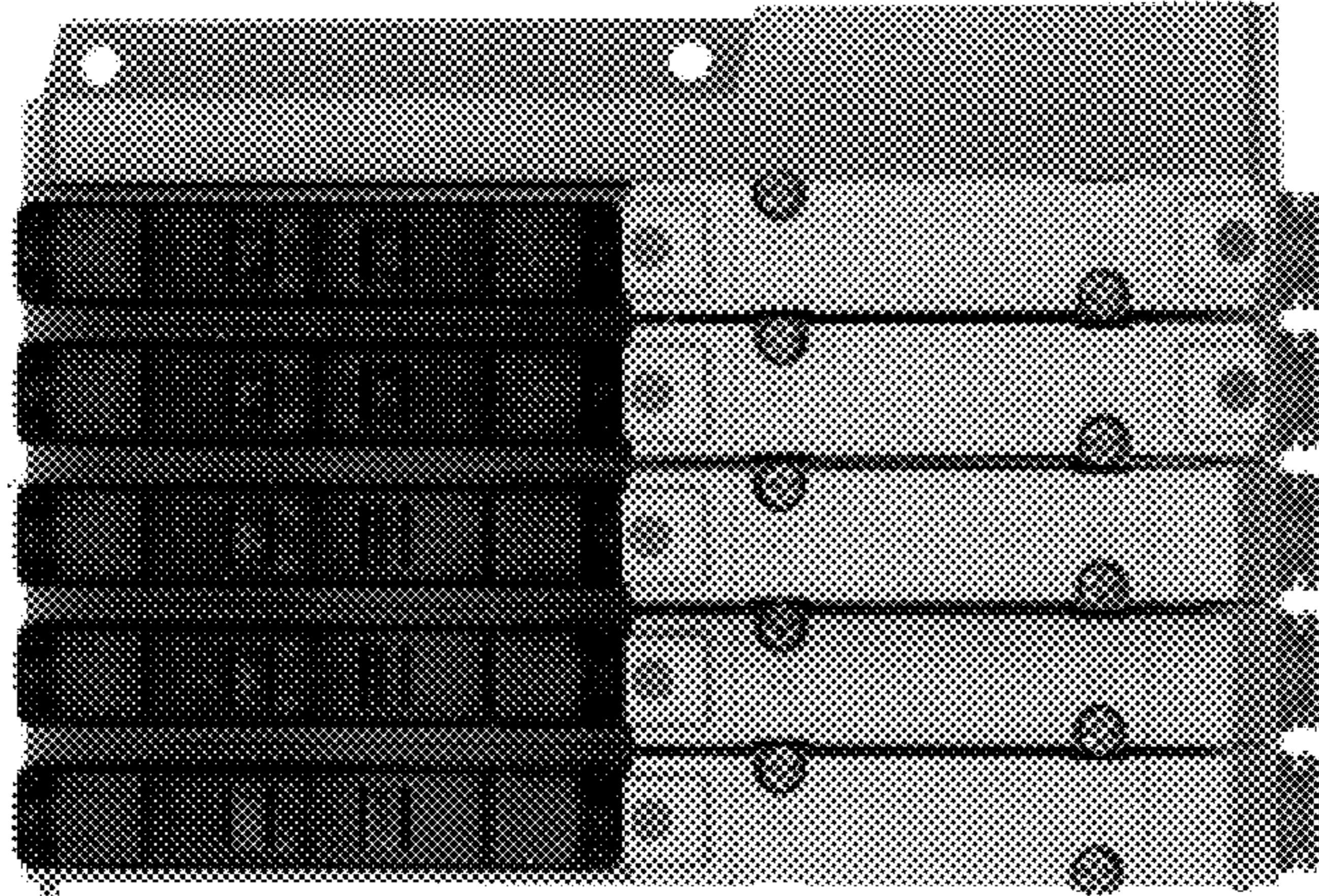


FIG. 7

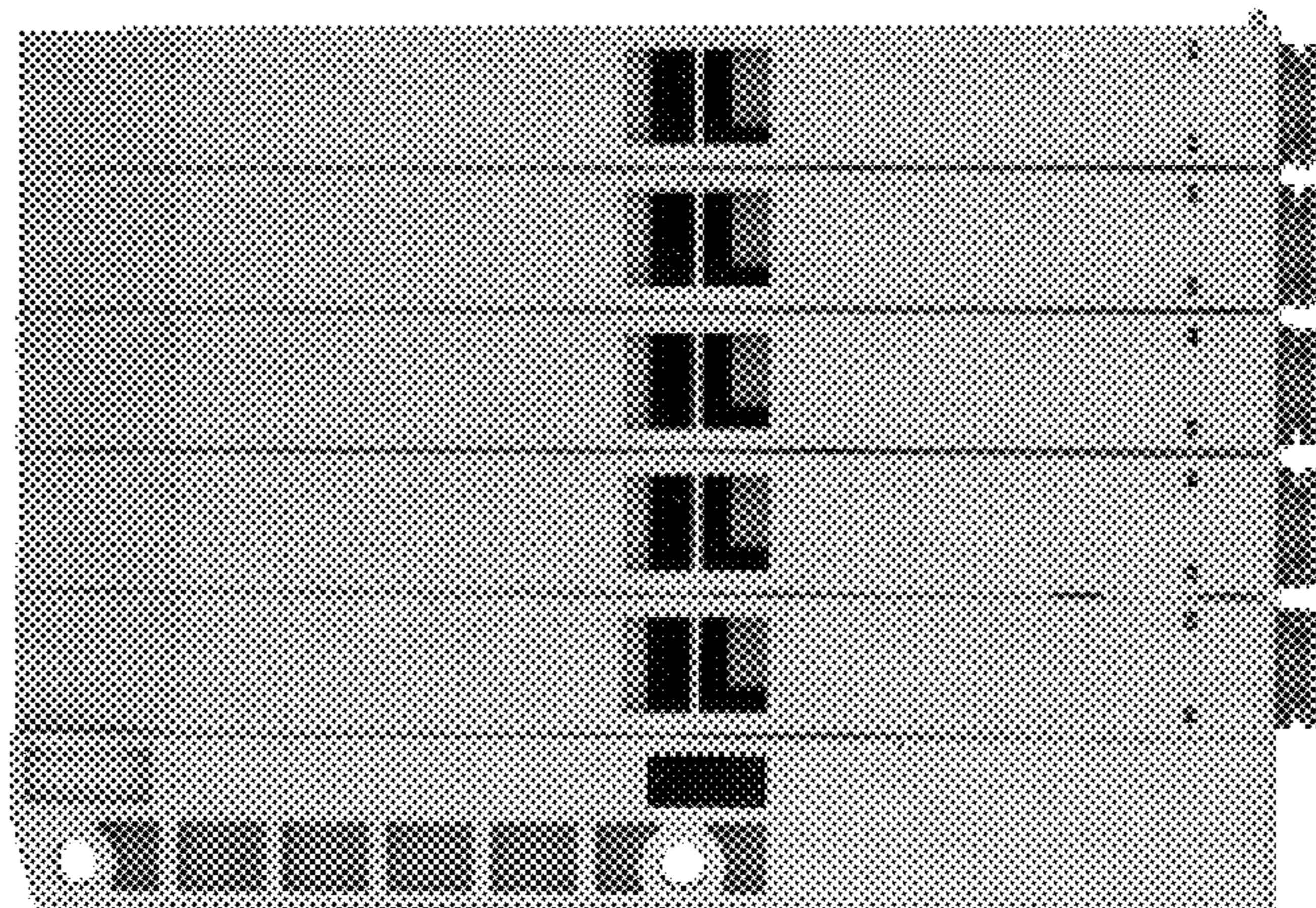


FIG. 8