



US00D415557S

# United States Patent [19] Kuo

[11] **Patent Number: Des. 415,557**

[45] **Date of Patent: \*\* Oct. 19, 1999**

[54] **SPRAY GUN**

5,348,228 9/1994 Wang ..... 239/526  
5,501,400 3/1996 Kuo ..... 239/525

[76] **Inventor: Wen-Li Kuo**, No. 10, Fang Dong Road,  
Wen Chin Tsun, Fang Yuan Hsiang,  
Chang Hua Hsien, Taiwan

*Primary Examiner*—Robin V. Taylor  
*Attorney, Agent, or Firm*—Bacon & Thomas

[\*\*] **Term: 14 Years**

[57] **CLAIM**

The ornamental design for a spray gun, as shown.

[21] **Appl. No.: 29/096,216**

### DESCRIPTION

[22] **Filed: Nov. 9, 1998**

[51] **LOC (6) Cl. .... 23-01**

[52] **U.S. Cl. .... D23/226**

[58] **Field of Search .... D23/213, 223,  
D23/226, 227; 239/589, 525-528, 459**

FIG. 1 is a front view of a spray gun showing my new design;

FIG. 2 is a rear view thereof;

FIG. 3 is a left view thereof;

FIG. 4 is a right view thereof;

FIG. 5 is a top view thereof;

FIG. 6 is a bottom view thereof; and,

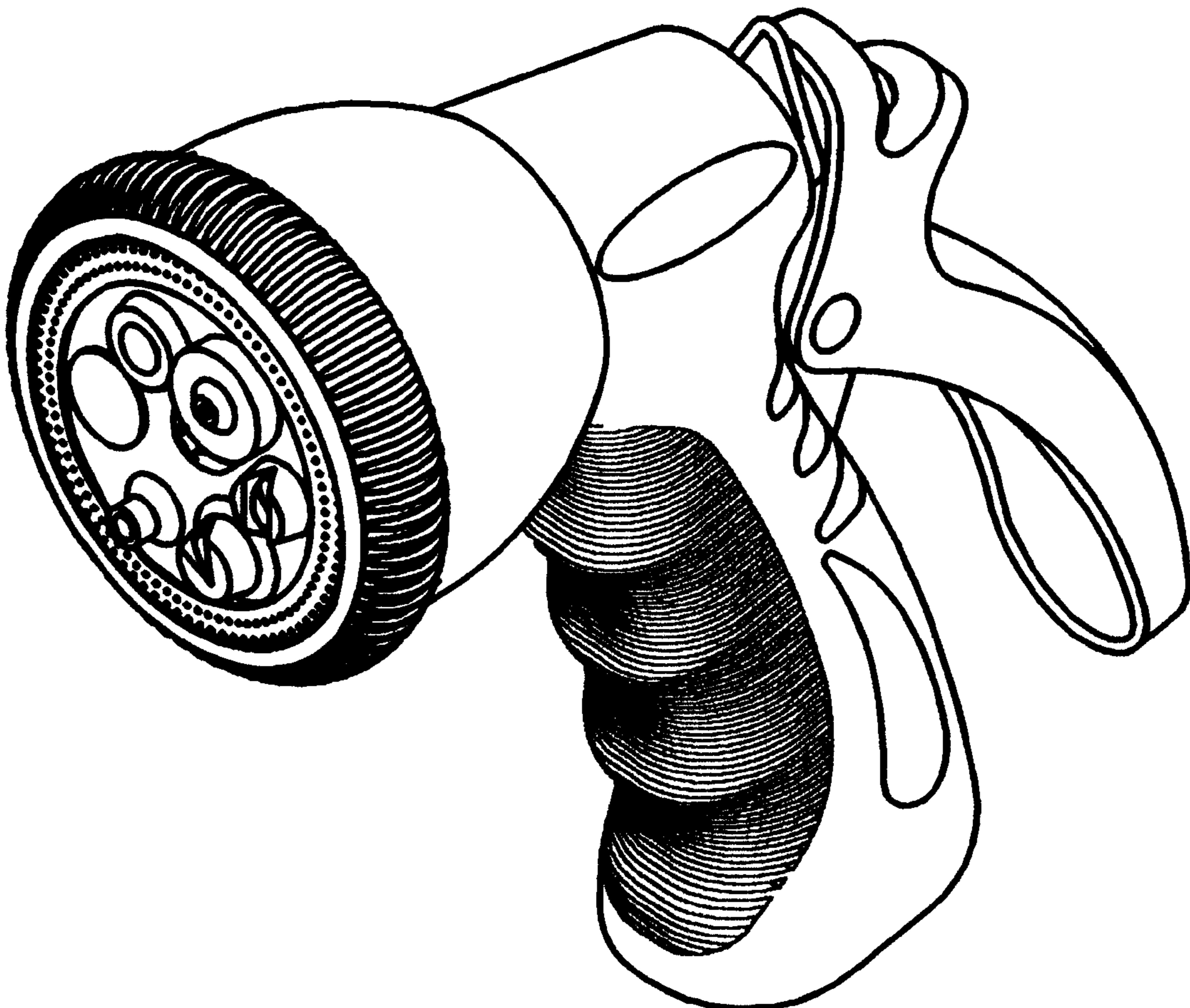
FIG. 7 is a perspective view thereof.

### [56] **References Cited**

#### U.S. PATENT DOCUMENTS

D. 373,814 9/1996 Wang ..... D23/226  
D. 394,305 5/1998 Kuo ..... D23/226

**1 Claim, 4 Drawing Sheets**



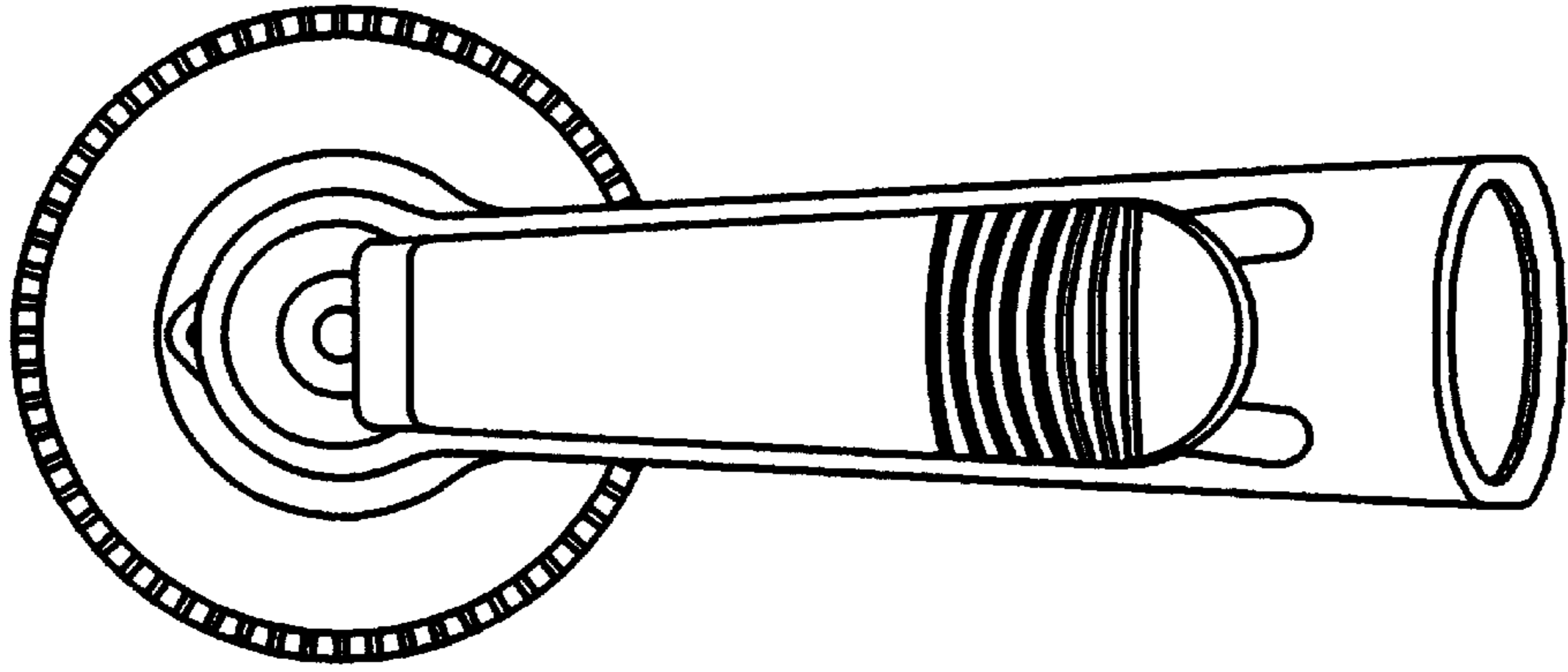


FIG 4

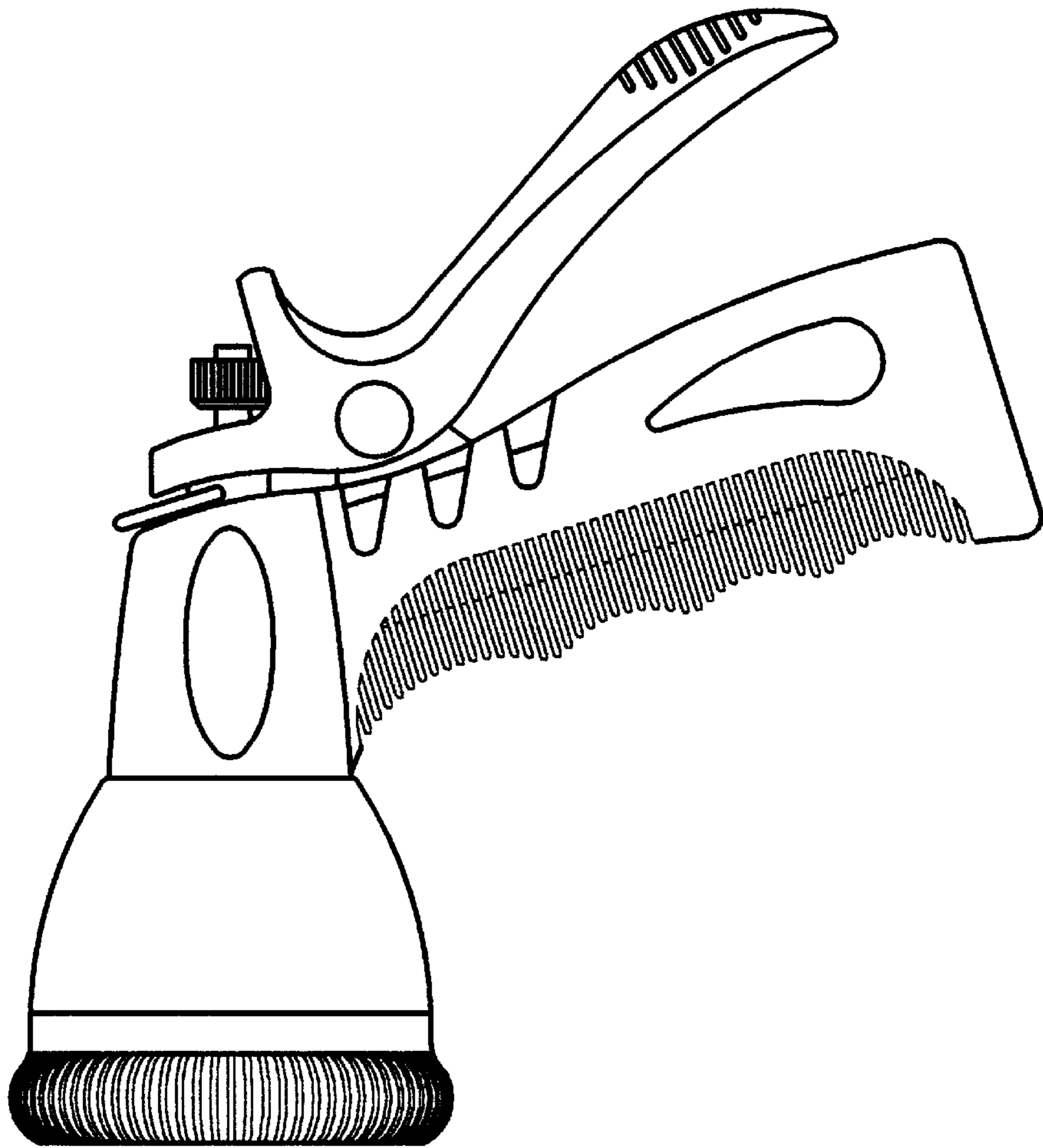


FIG 1

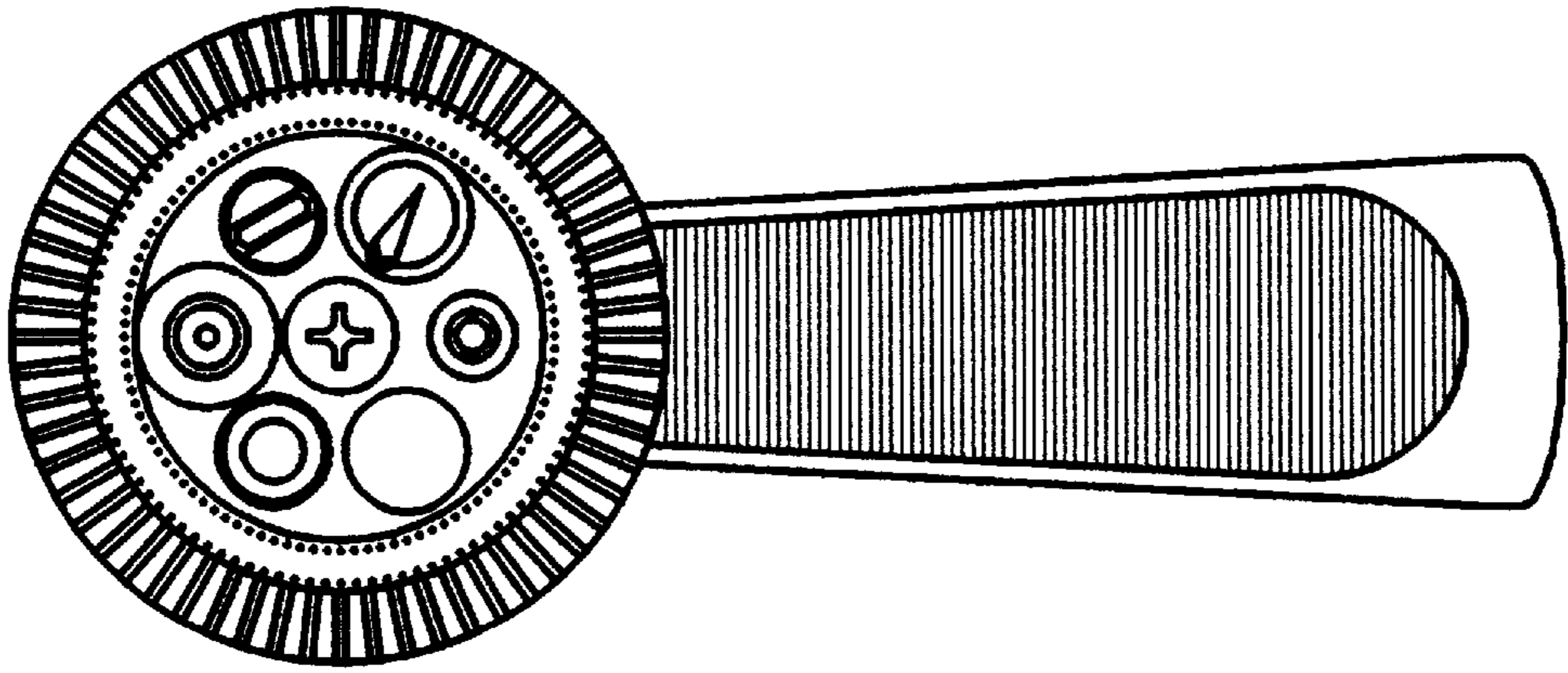


FIG3

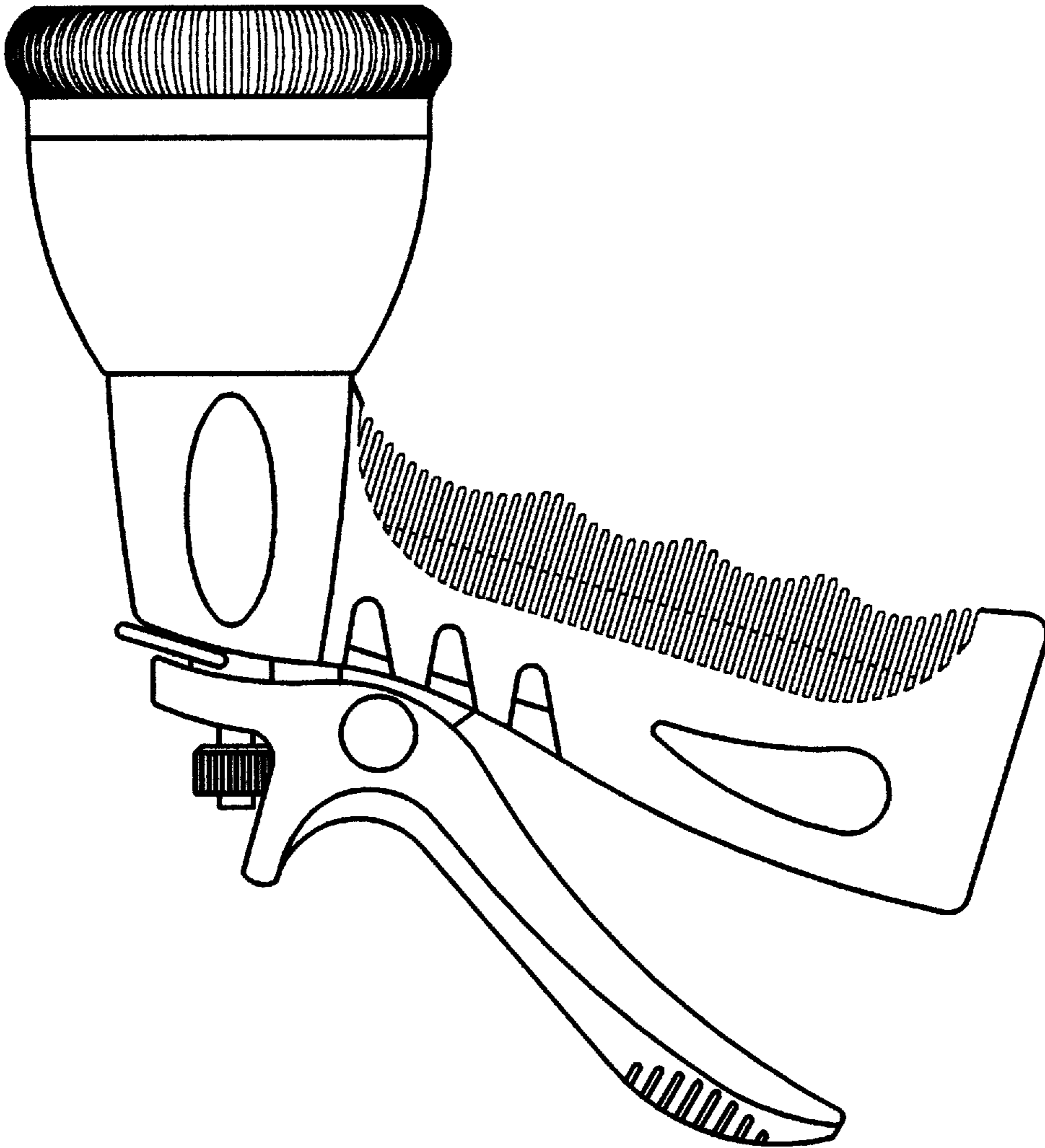
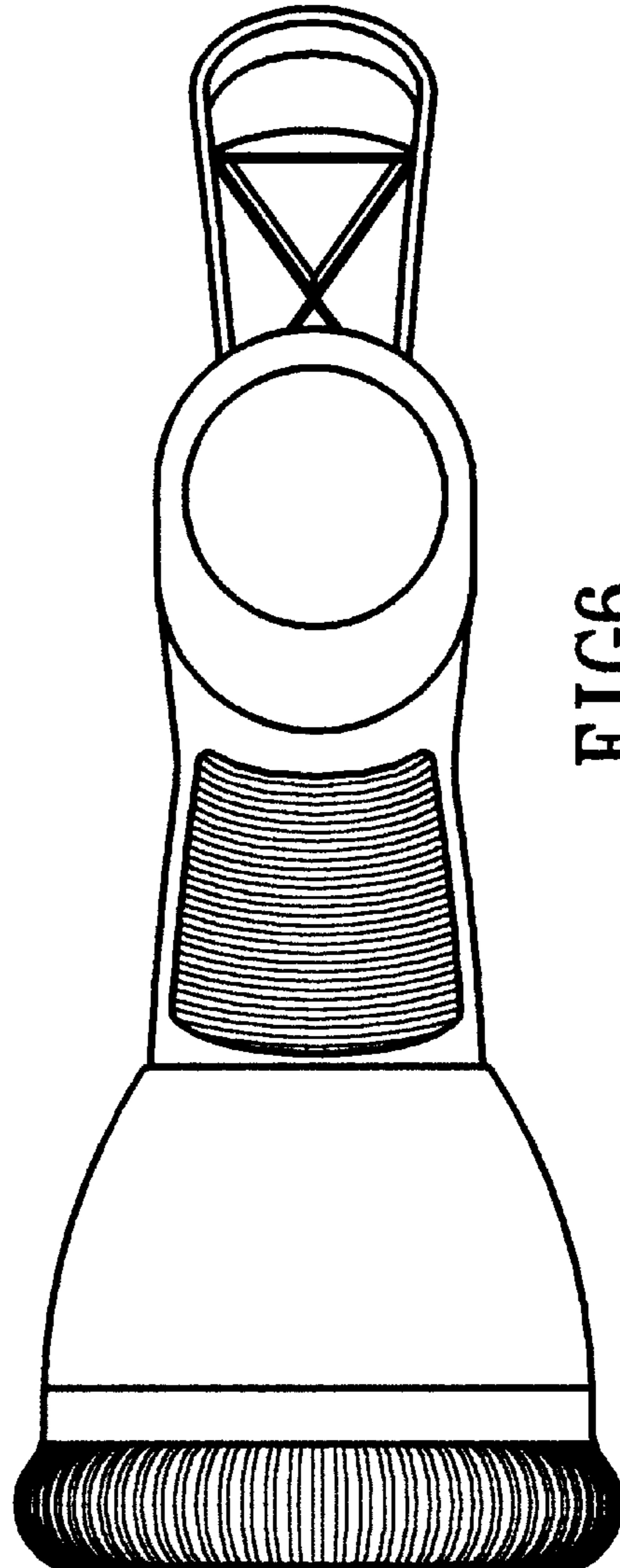
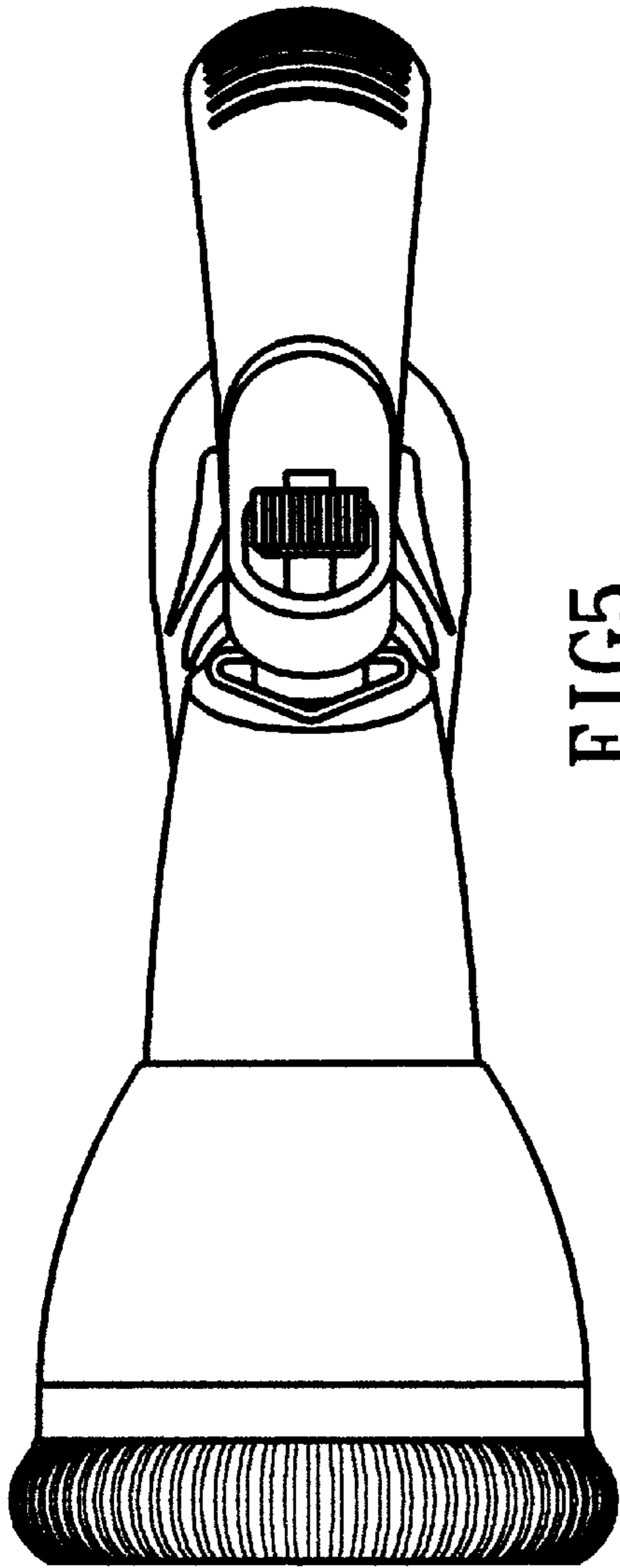


FIG2





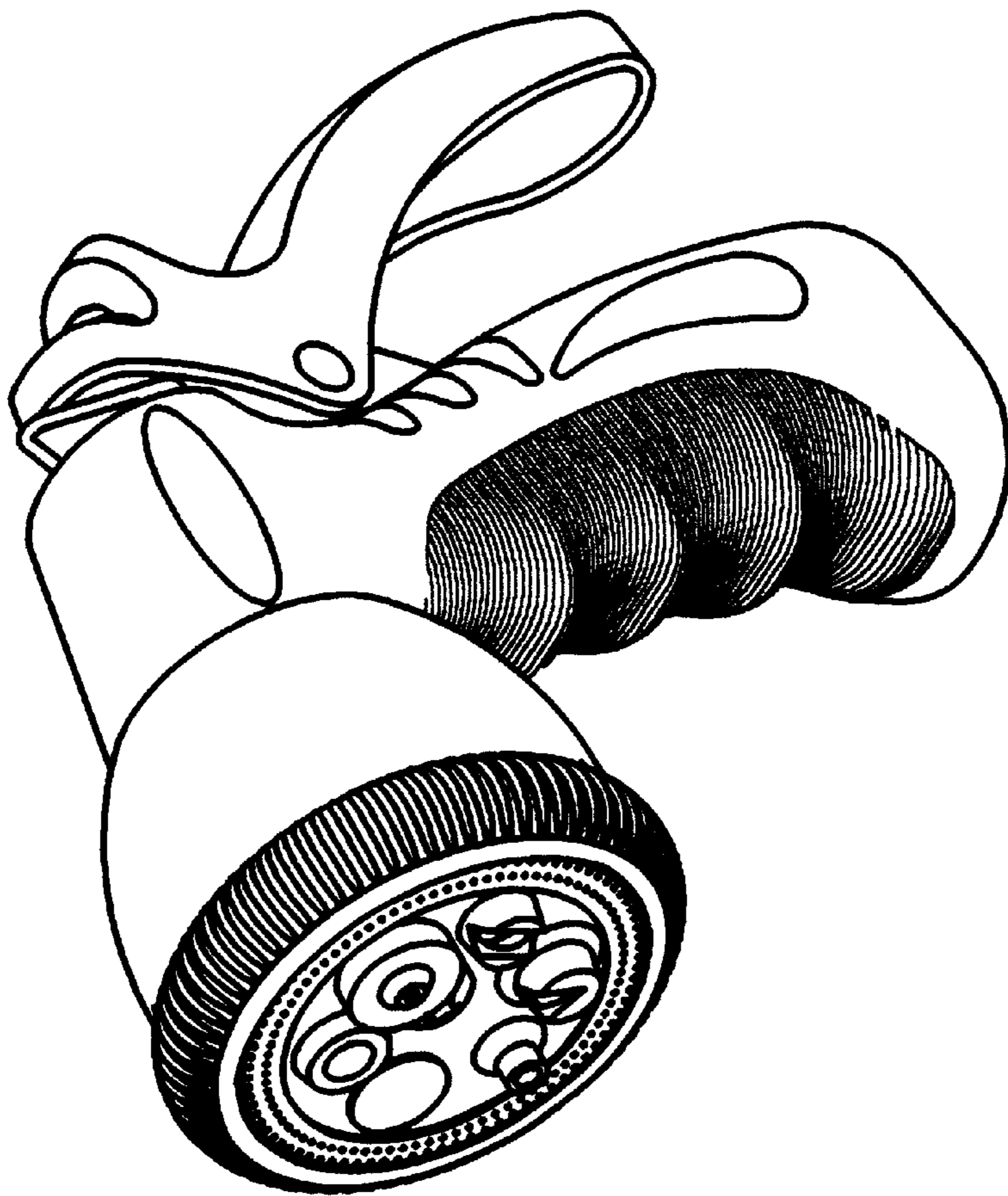


FIG 7