



US00D415556S

United States Patent [19] Sangha

[11] **Patent Number: Des. 415,556**

[45] **Date of Patent: ** Oct. 19, 1999**

[54] **PORTABLE SPRAYING DEVICE**

D. 366,926 2/1996 McGinnity et al. D23/213

[76] Inventor: **Jasbir S Sangha**, 8 Coniston Gardens,
Redbridge Ilford, Essex IG4 5LU,
United Kingdom

Primary Examiner—Robin V. Taylor

[**] Term: **14 Years**

[57] **CLAIM**

The ornamental design for a portable spraying device, as shown.

[21] Appl. No.: **29/085,616**

DESCRIPTION

[22] Filed: **Mar. 26, 1998**

FIG. 1 is a front elevational view of the portable spraying device of the present invention;

[51] **LOC (6) Cl.** **23-01**

FIG. 2 is a back elevational view of the portable spraying device of FIG. 1;

[52] **U.S. Cl.** **D23/225**

FIG. 3 is a left side elevational view of the portable spraying device of FIG. 1;

[58] **Field of Search** D23/213, 214,
D23/225; D8/2; 239/302, 308, 315–316

FIG. 4 is a right side elevational view of the portable spraying device of FIG. 1;

[56] **References Cited**

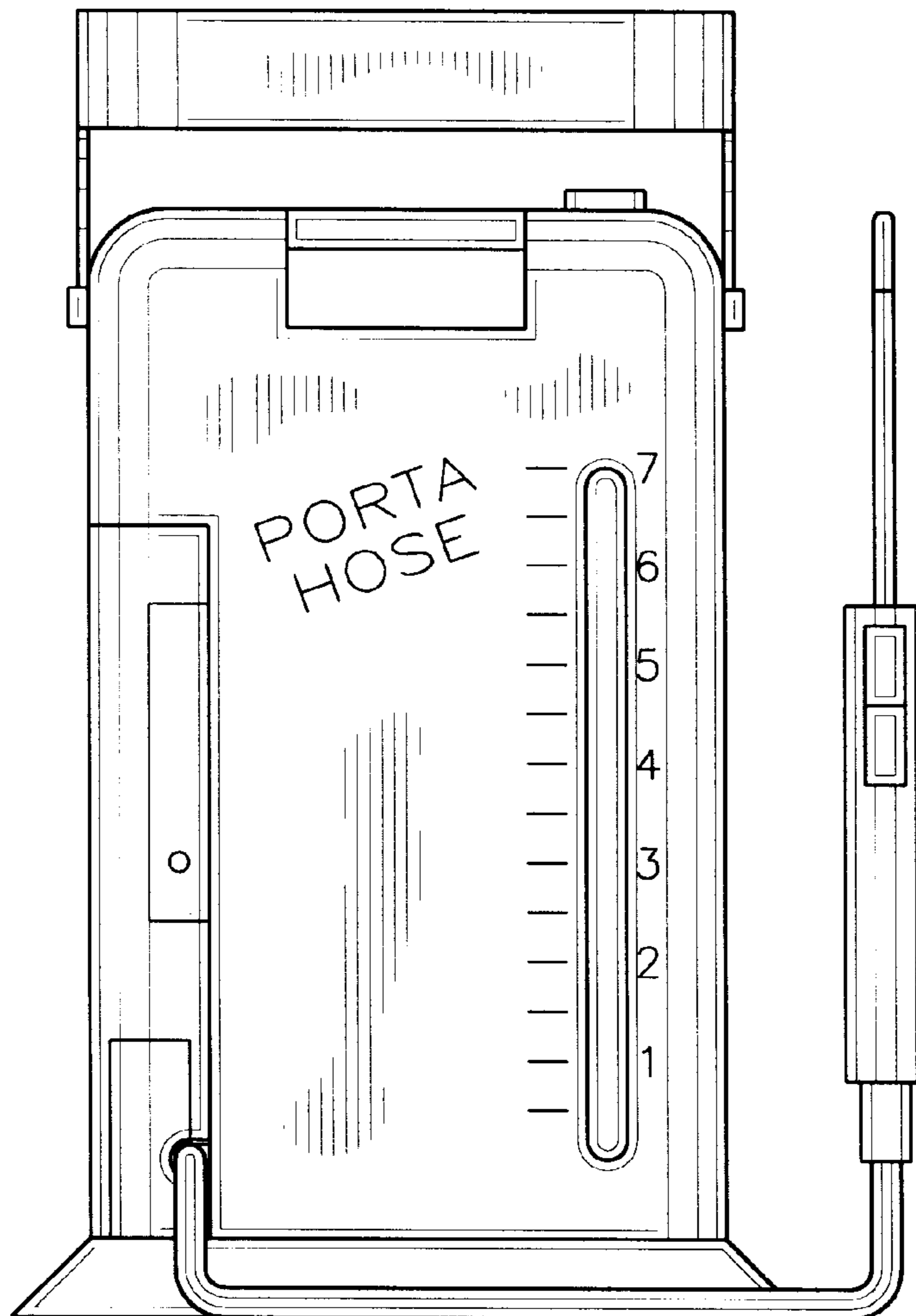
FIG. 5 is a top plan view of the portable spraying device of FIG. 1; and,

U.S. PATENT DOCUMENTS

FIG. 6 is a bottom plan view of the portable spraying device of FIG. 1.

D. 254,321	2/1980	Sidor et al.	D23/225
D. 272,380	1/1984	Poon	D23/225
D. 286,906	11/1986	Gibbs	D23/225
D. 347,047	5/1994	Wood	D23/225
D. 364,786	12/1995	Taylor et al.	D8/2

1 Claim, 3 Drawing Sheets



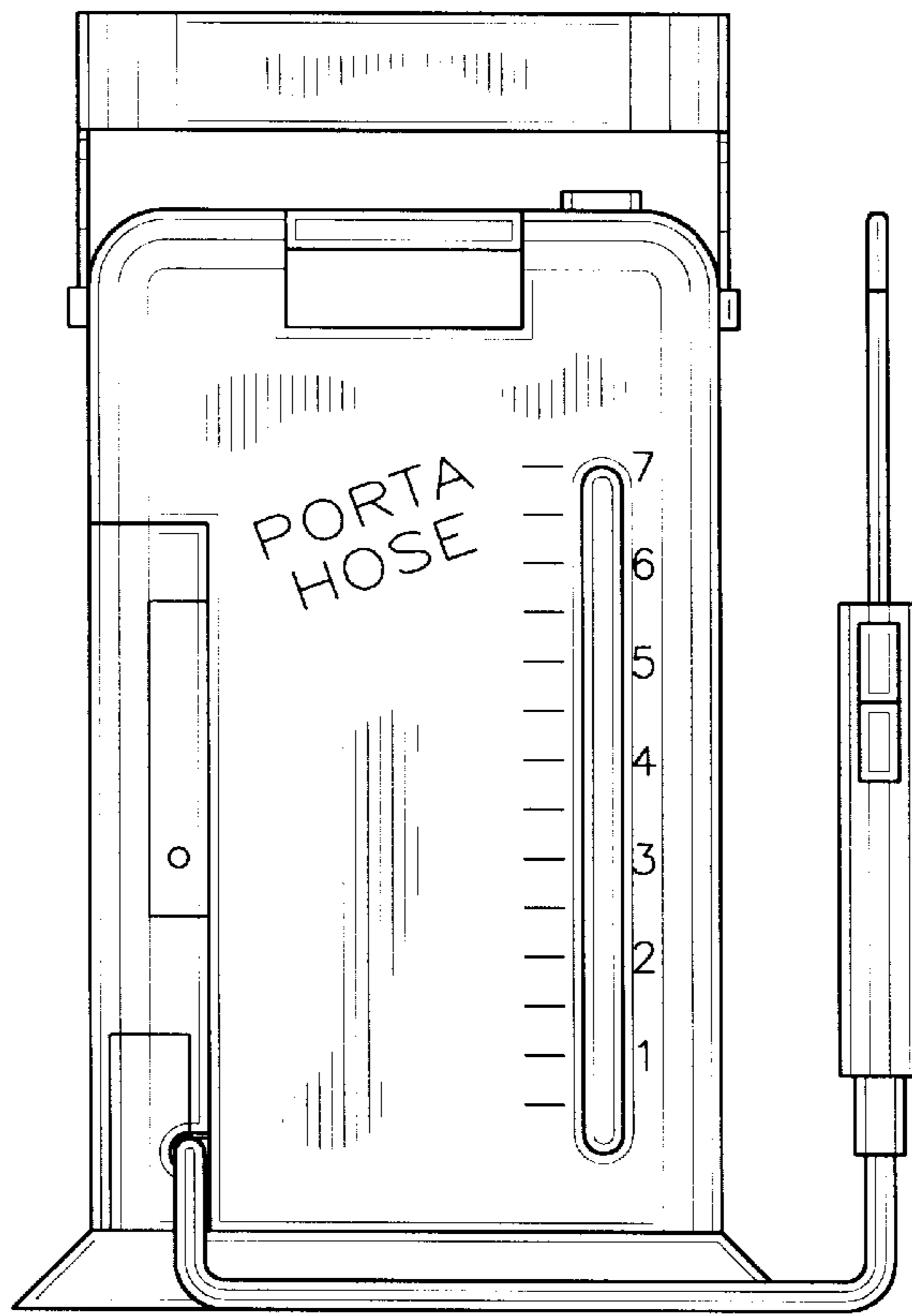


Fig. 1

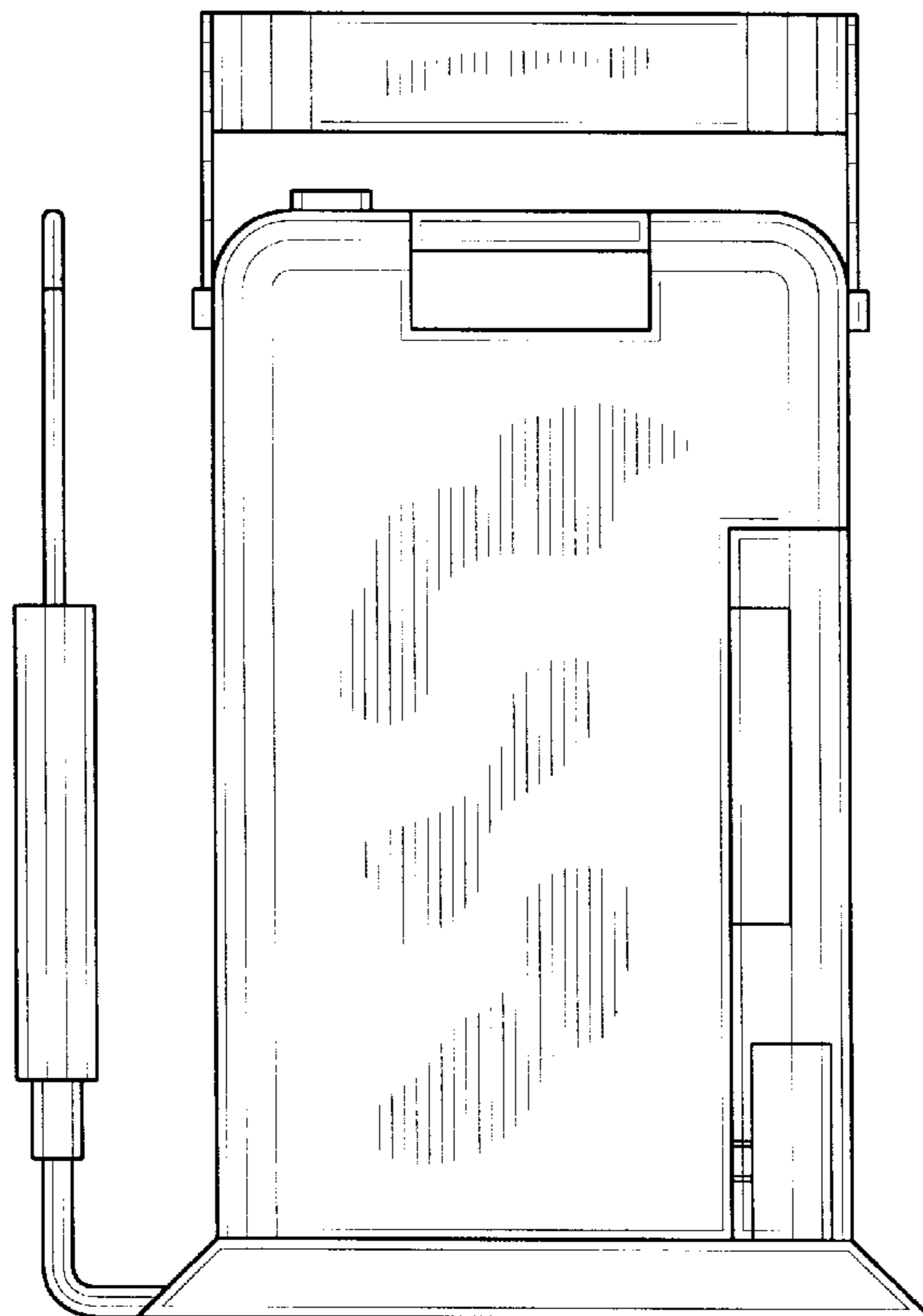


Fig. 2

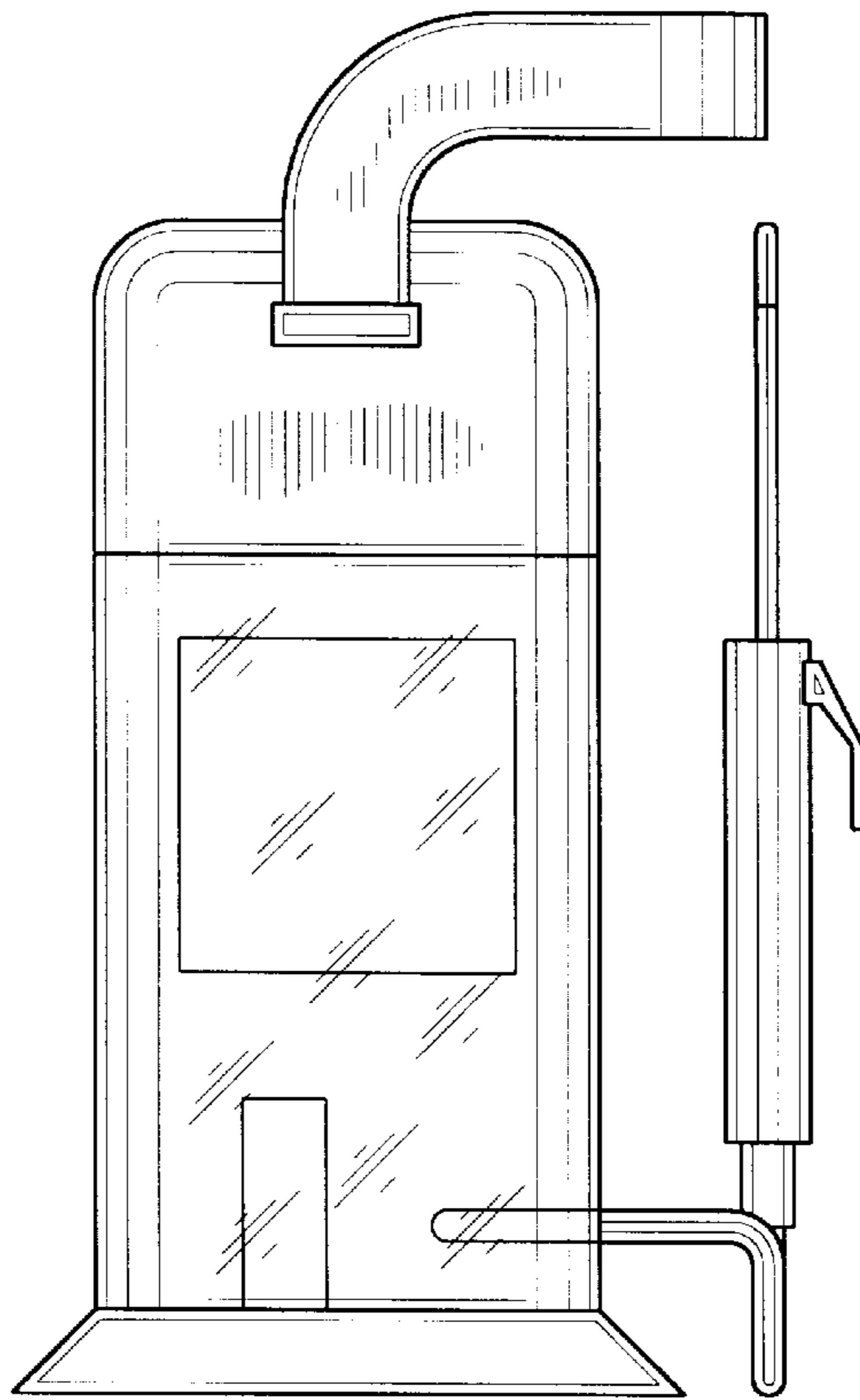


Fig. 3

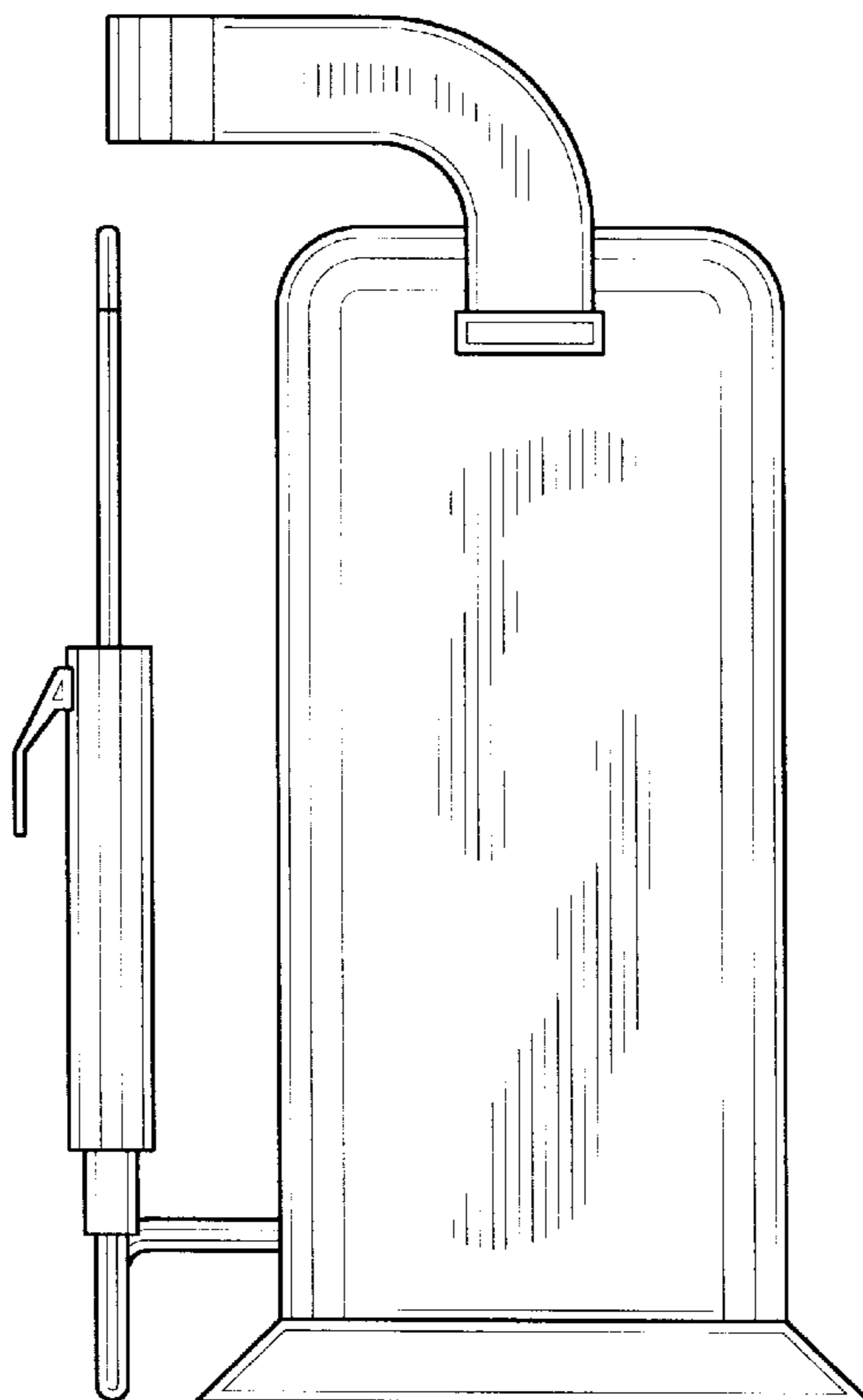


Fig. 4

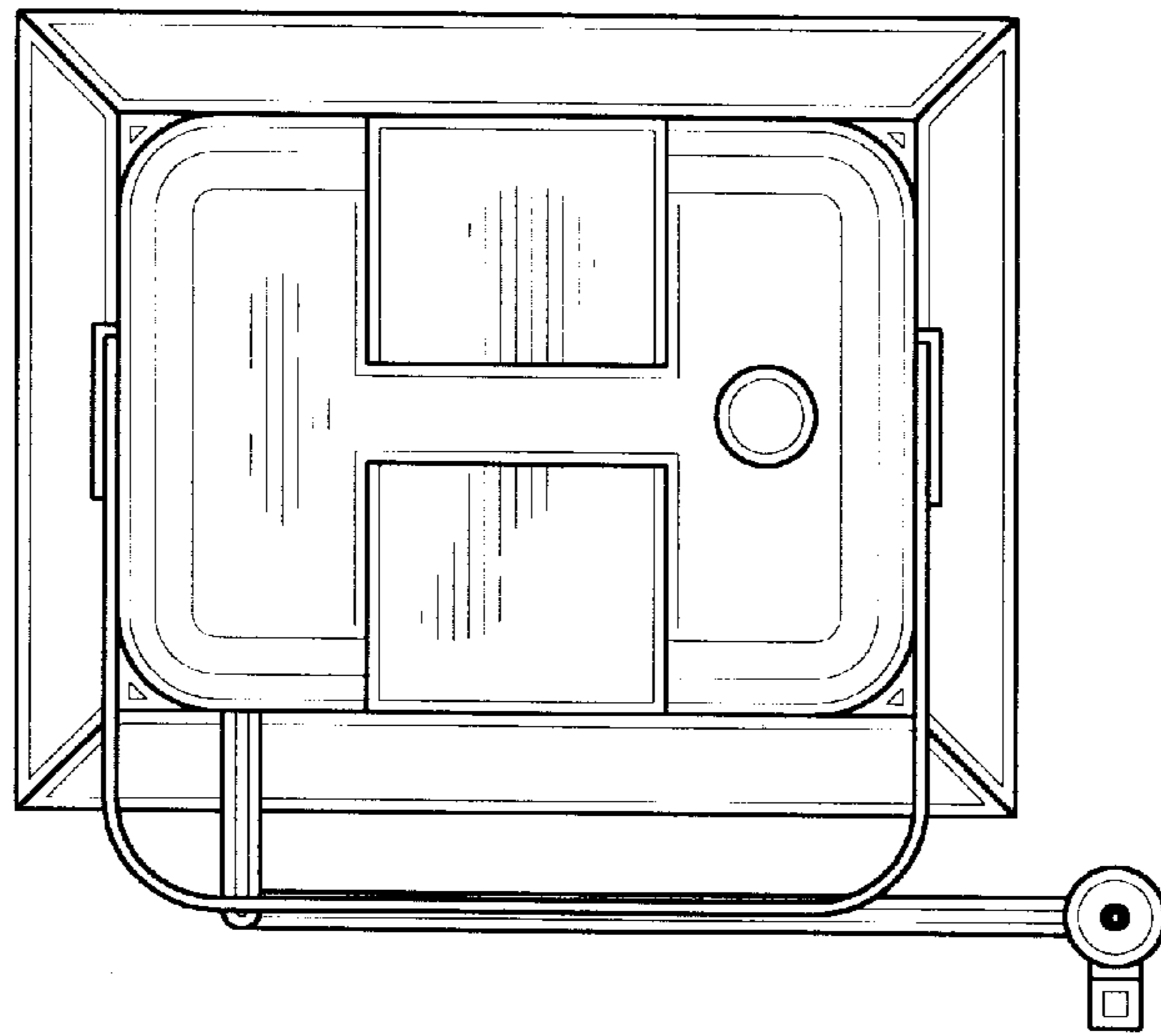


Fig. 5

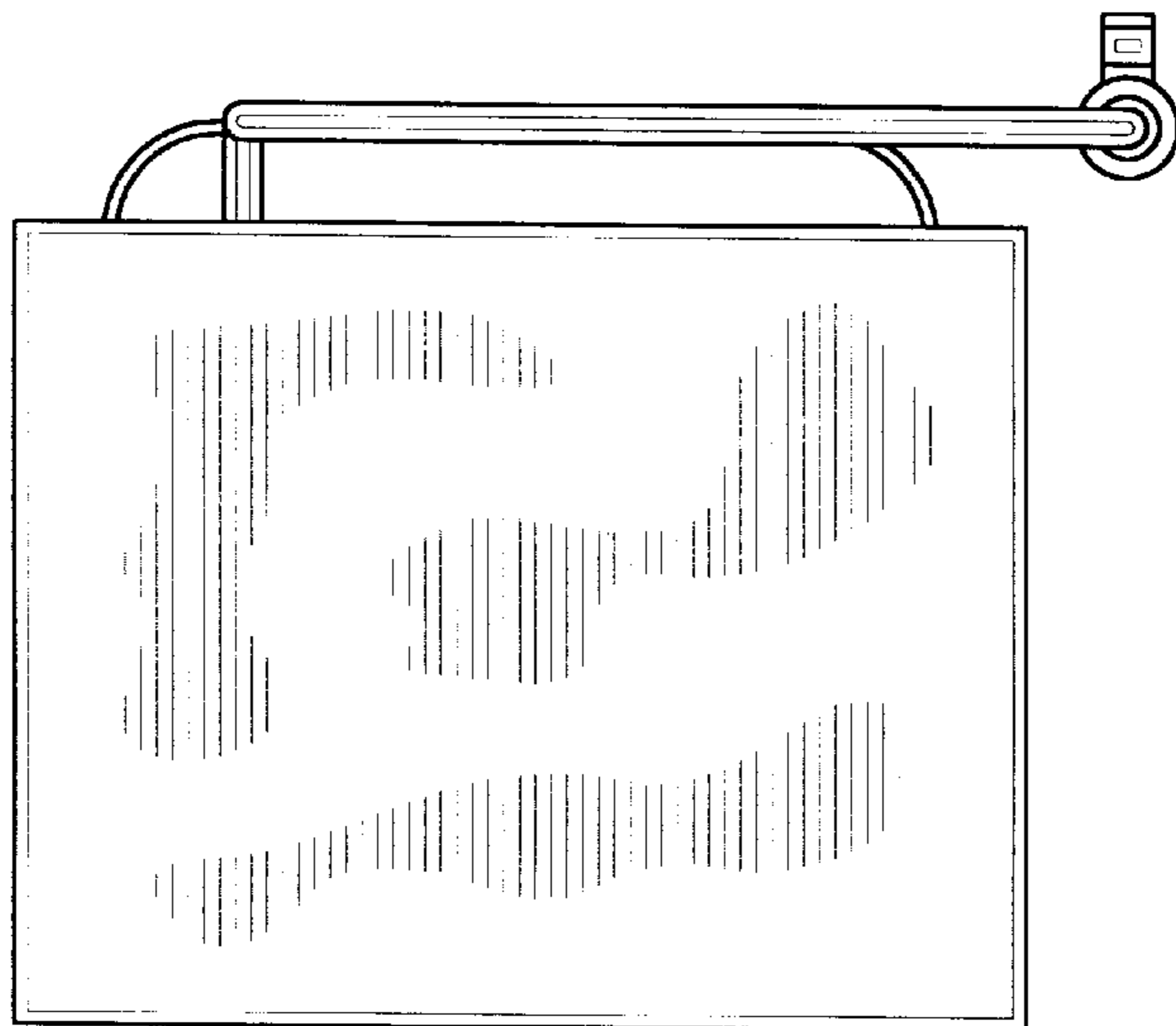


Fig. 6