



US00D41555S

United States Patent [19] Kuo

[11] **Patent Number: Des. 415,555**

[45] **Date of Patent: ** Oct. 19, 1999**

[54] **SPRAYER SEAT**

[76] **Inventor: Wen-Li Kuo**, No. 10, Fang Dong Road,
Wen Chin Tsun, Fang Yuan Hsiang,
Chang Hua Hsien, Taiwan

[**] **Term: 14 Years**

[21] **Appl. No.: 29/096,223**

[22] **Filed: Nov. 6, 1998**

[51] **LOC (6) Cl. 23-01**

[52] **U.S. Cl. D23/214; D23/216**

[58] **Field of Search D23/213-216,
D23/221; 239/273, 279, 240, 241, 242**

[56] **References Cited**

U.S. PATENT DOCUMENTS

D. 355,476	2/1995	Schon	D23/214
D. 371,596	7/1996	Simonetti	D23/216
5,350,115	9/1994	Burnworth et al.	239/242

5,562,247	10/1996	Roman	239/240
5,657,928	8/1997	Jian	239/242
5,845,850	12/1998	Guo	239/242

Primary Examiner—Robin V. Taylor
Attorney, Agent, or Firm—Bacon & Thomas

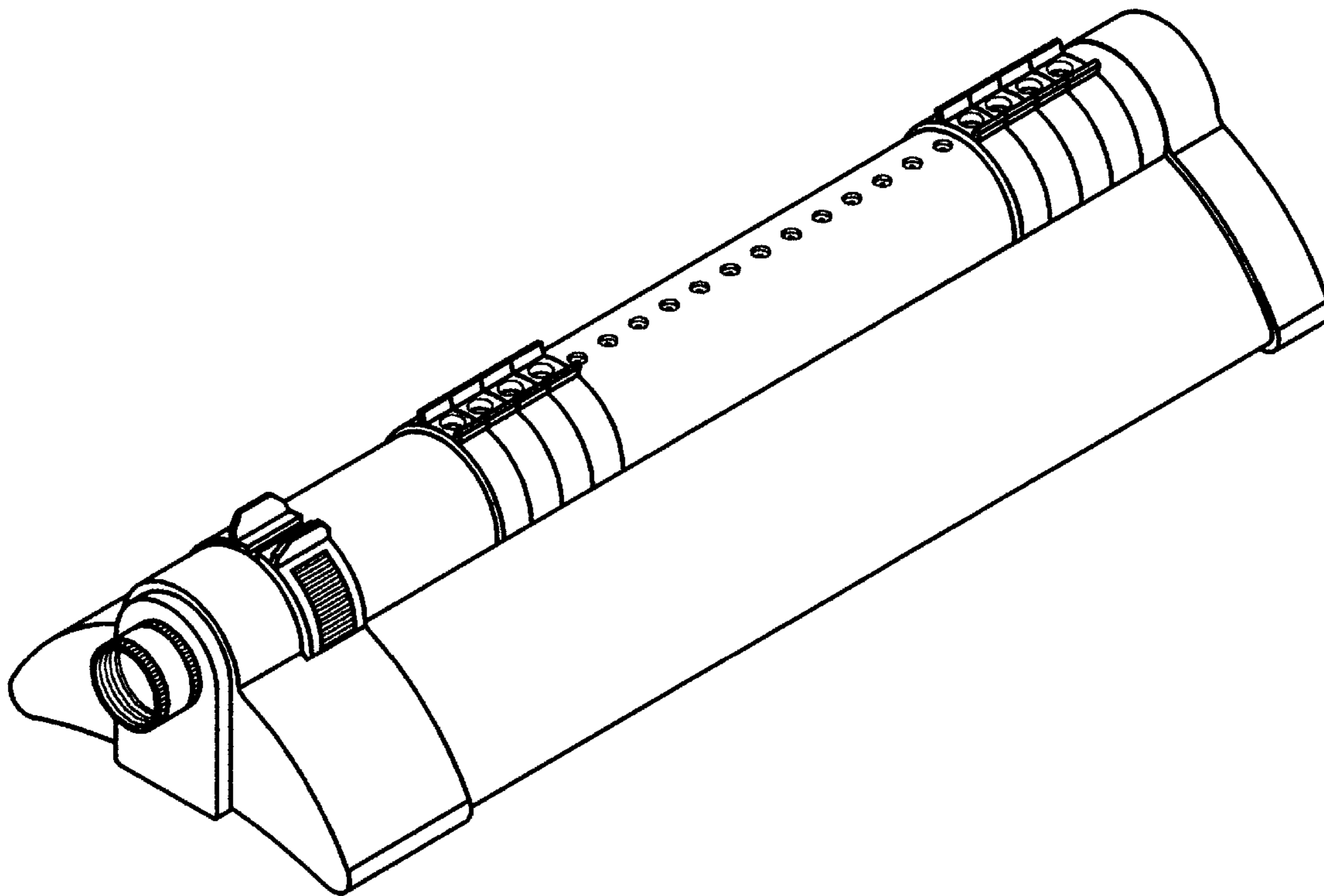
[57] **CLAIM**

The ornamental design for a sprayer seat, as shown.

DESCRIPTION

FIG. 1 is a front view of a sprayer seat showing my new design;
FIG. 2 is a rear view thereof;
FIG. 3 is a left view thereof;
FIG. 4 is a right view thereof;
FIG. 5 is a top view thereof;
FIG. 6 is a bottom view thereof; and,
FIG. 7 is a perspective view thereof.

1 Claim, 3 Drawing Sheets



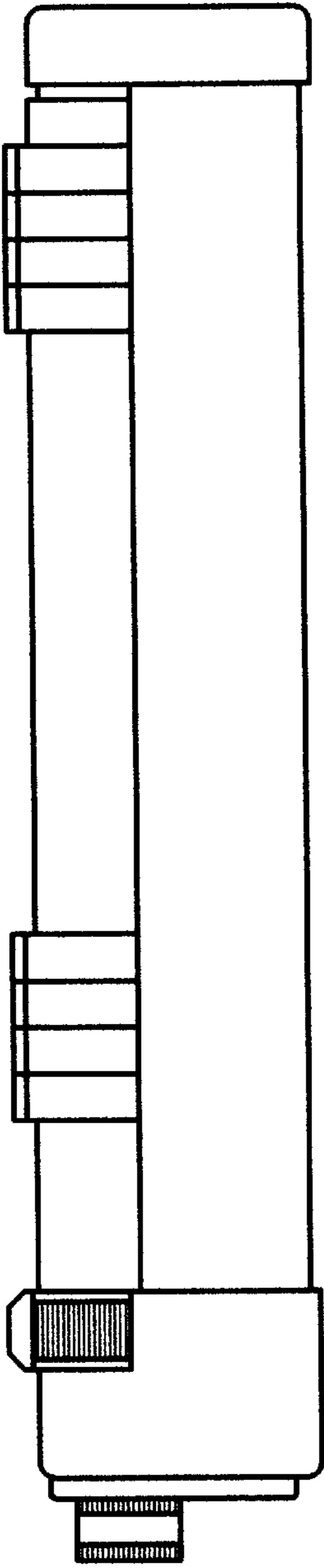


FIG4

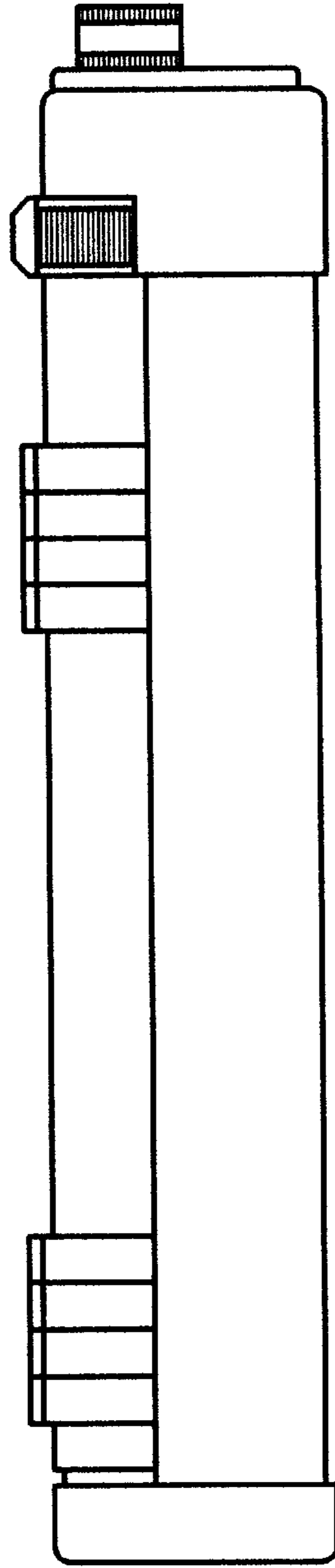


FIG3

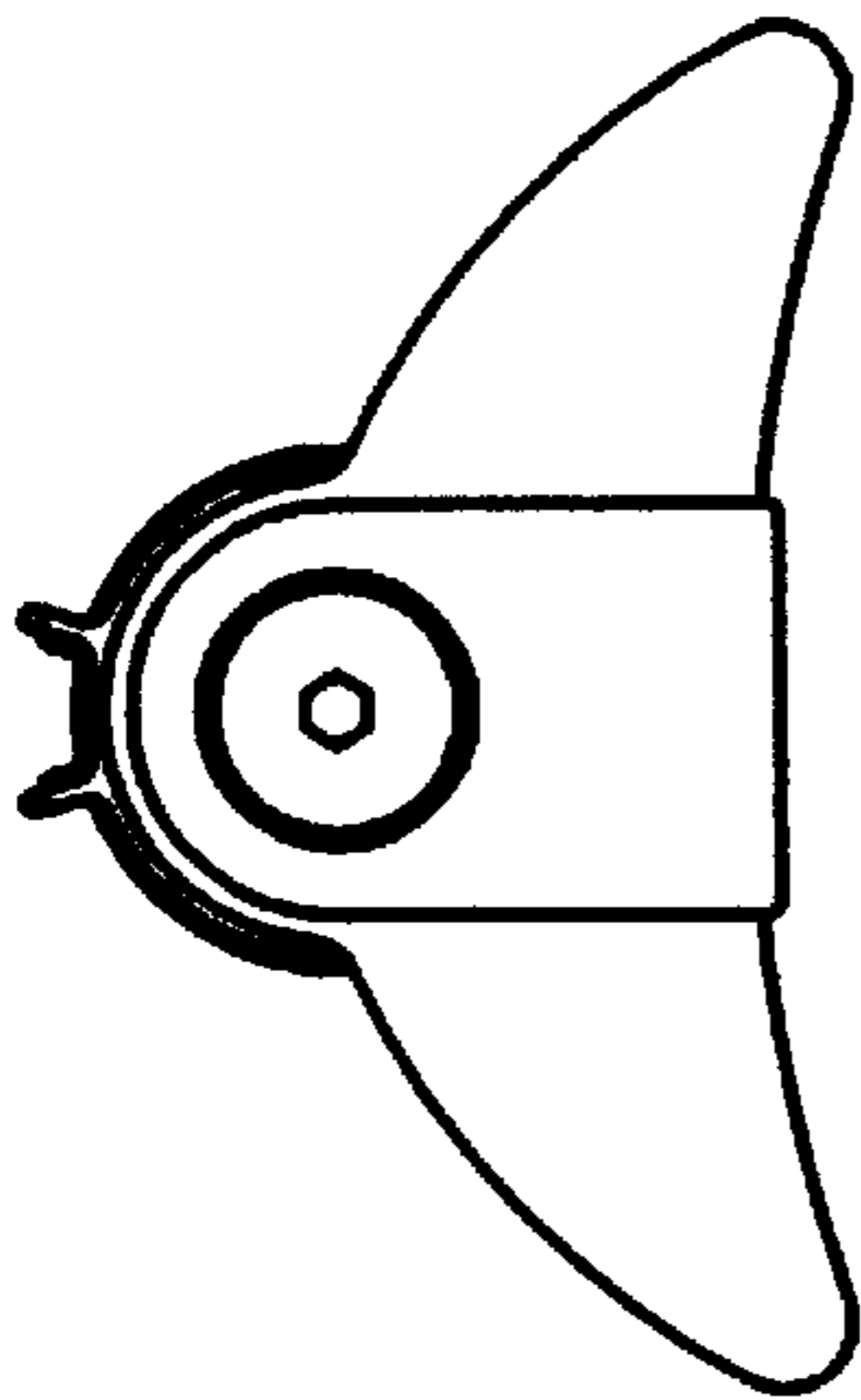


FIG1

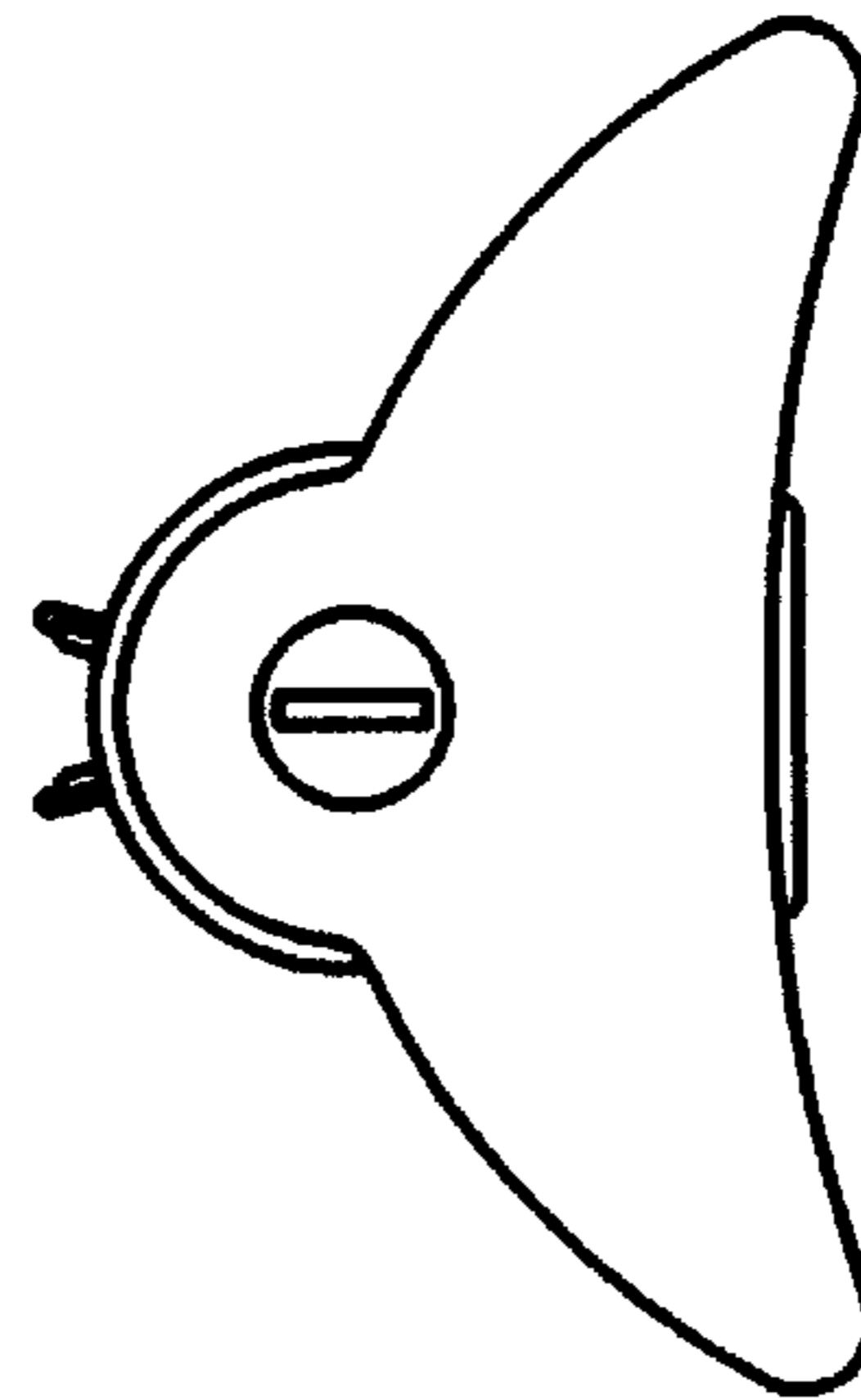


FIG2

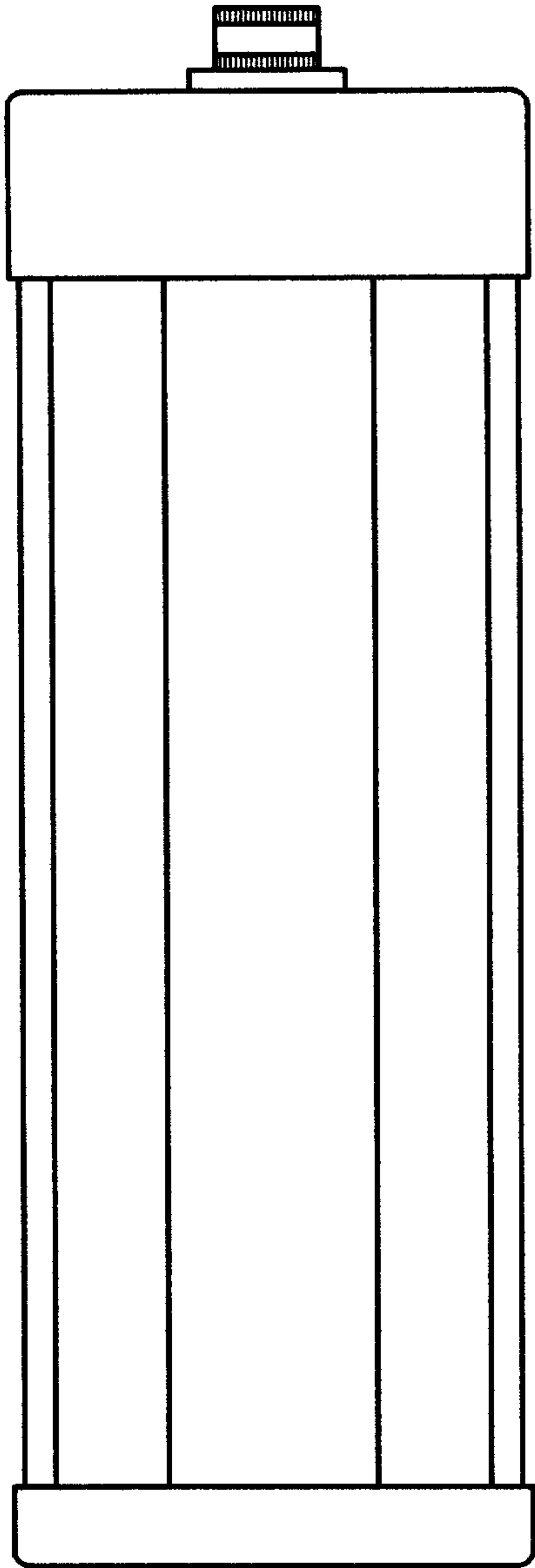


FIG6

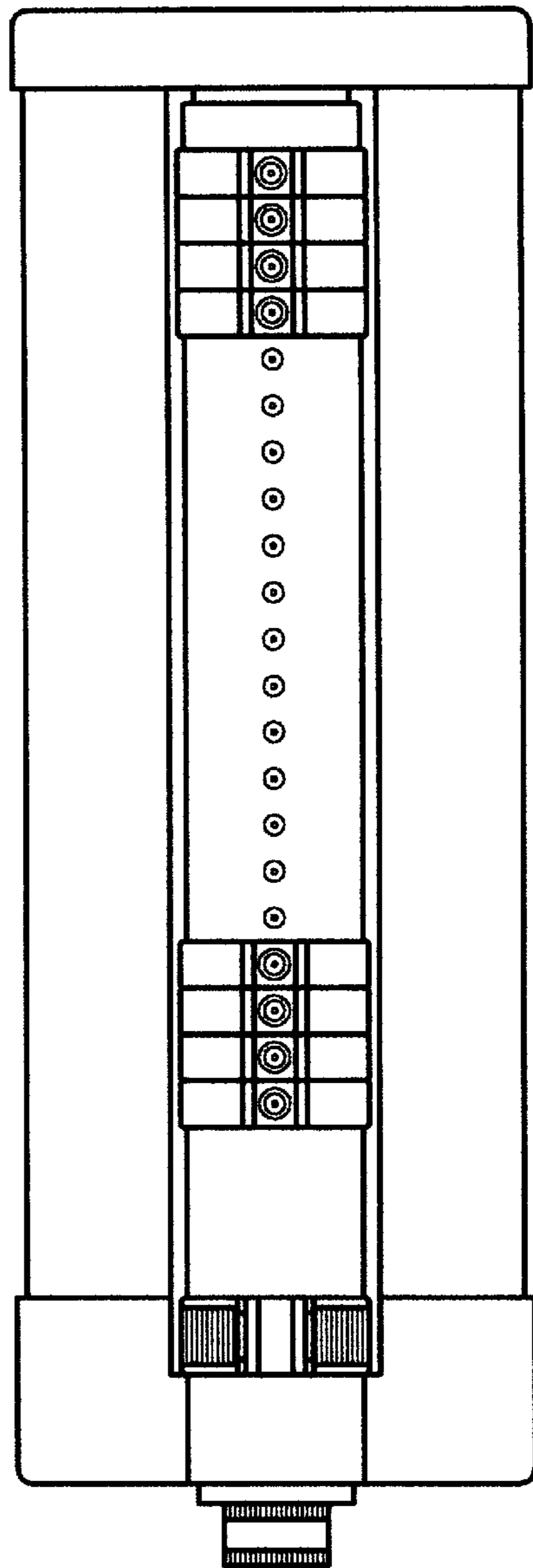


FIG5

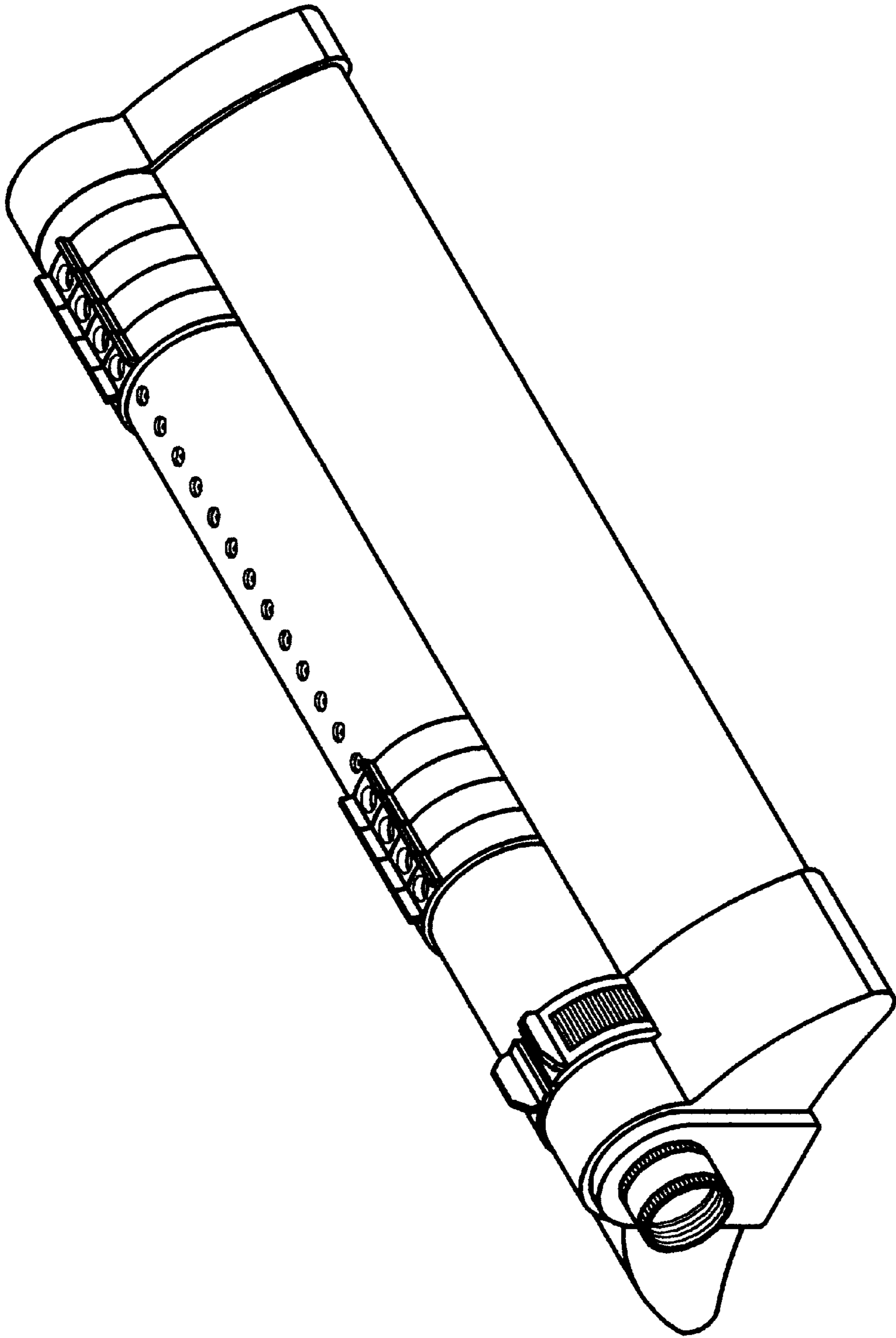


FIG 7