



US00D41553S

United States Patent [19] Wolfe

[11] Patent Number: **Des. 415,553**

[45] Date of Patent: **** Oct. 19, 1999**

[54] **WATER TANK**

[75] Inventor: **Ronald A. Wolfe**, Indianapolis, Ind.

[73] Assignee: **Advantage Engineering, Inc.**,
Greenwood, Ind.

[**] Term: **14 Years**

[21] Appl. No.: **29/099,624**

[22] Filed: **Jan. 25, 1999**

[51] **LOC (6) Cl.** **23-01**

[52] **U.S. Cl.** **D23/202**

[58] **Field of Search** D23/200, 202-205;
220/1.5, 4.21, 4.12, 4.13, 565, 567

[56] **References Cited**

U.S. PATENT DOCUMENTS

D. 222,254	10/1971	Kattelmann	D23/202
D. 288,476	2/1987	Ebnoether	D23/202
D. 305,353	1/1990	Thomas	D23/202
D. 307,172	4/1990	Downing	D23/205
D. 353,436	12/1994	Hess	D23/202

Primary Examiner—Robin V. Taylor

Attorney, Agent, or Firm—Woodard, Emhardt, Naughton,
Moriarty & McNett

[57] **CLAIM**

The ornamental design for a water tank, as shown and described.

DESCRIPTION

FIG. 1 is a perspective view of a water tank showing my new design.

FIG. 2 is a front elevational view thereof.

FIG. 3 is a rear elevational view thereof.

FIG. 4 is a top plan view thereof.

FIG. 5 is a bottom plan view thereof.

FIG. 6 is a side elevational view thereof.

The appearance of the opposite side is a mirror image of the side shown in FIG. 6.

FIG. 7 is a perspective view of a second embodiment of a water tank according to my new design.

FIG. 8 is a front elevational view of the second embodiment.

FIG. 9 is a rear elevational view of the second embodiment.

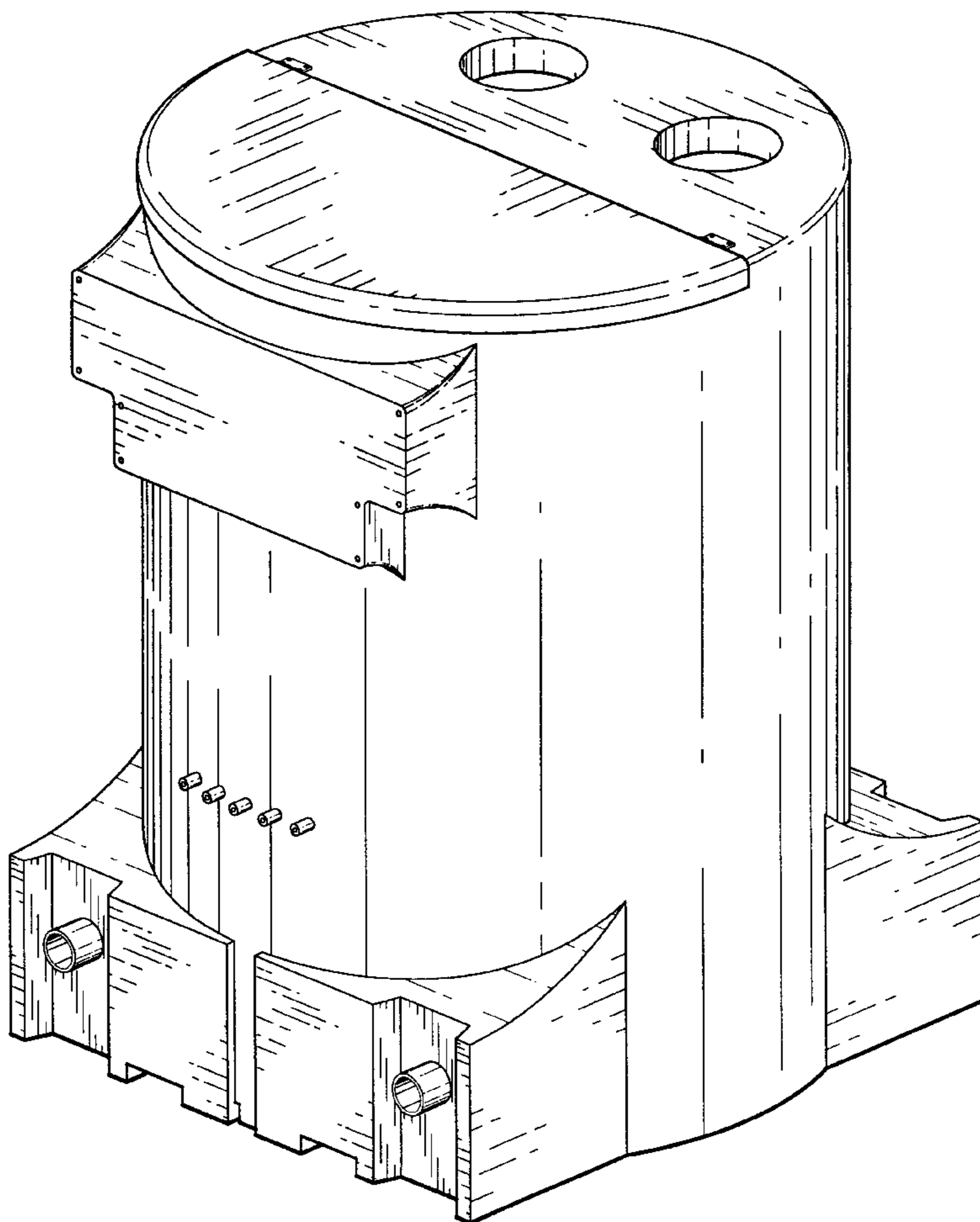
FIG. 10 is a top plan view of the second embodiment.

FIG. 11 is a bottom plan view of the second embodiment; and,

FIG. 12 is a side elevational view of the second embodiment.

The appearance of the opposite side of the second embodiment is a mirror image of the side shown in FIG. 12.

1 Claim, 8 Drawing Sheets



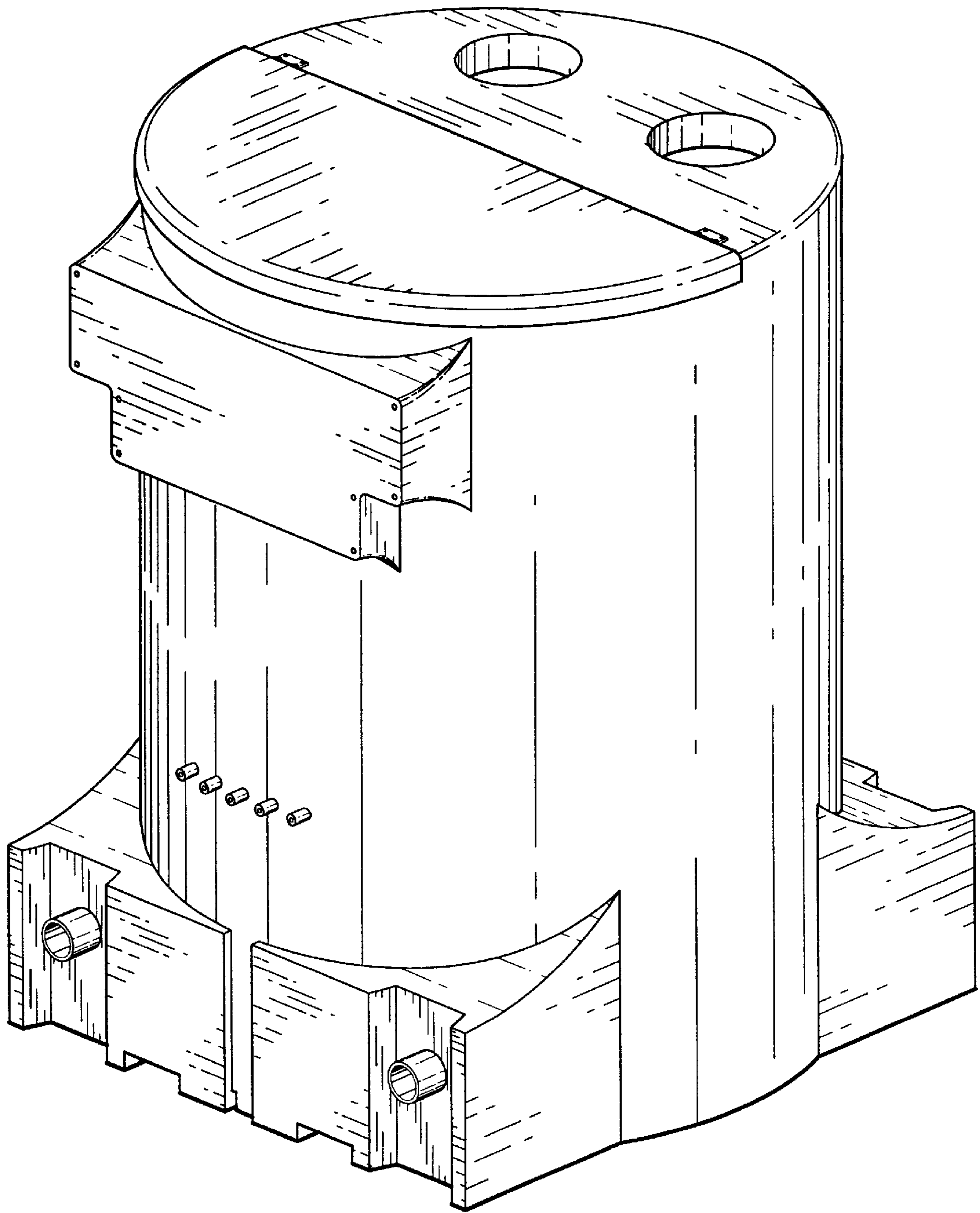


Fig. 1

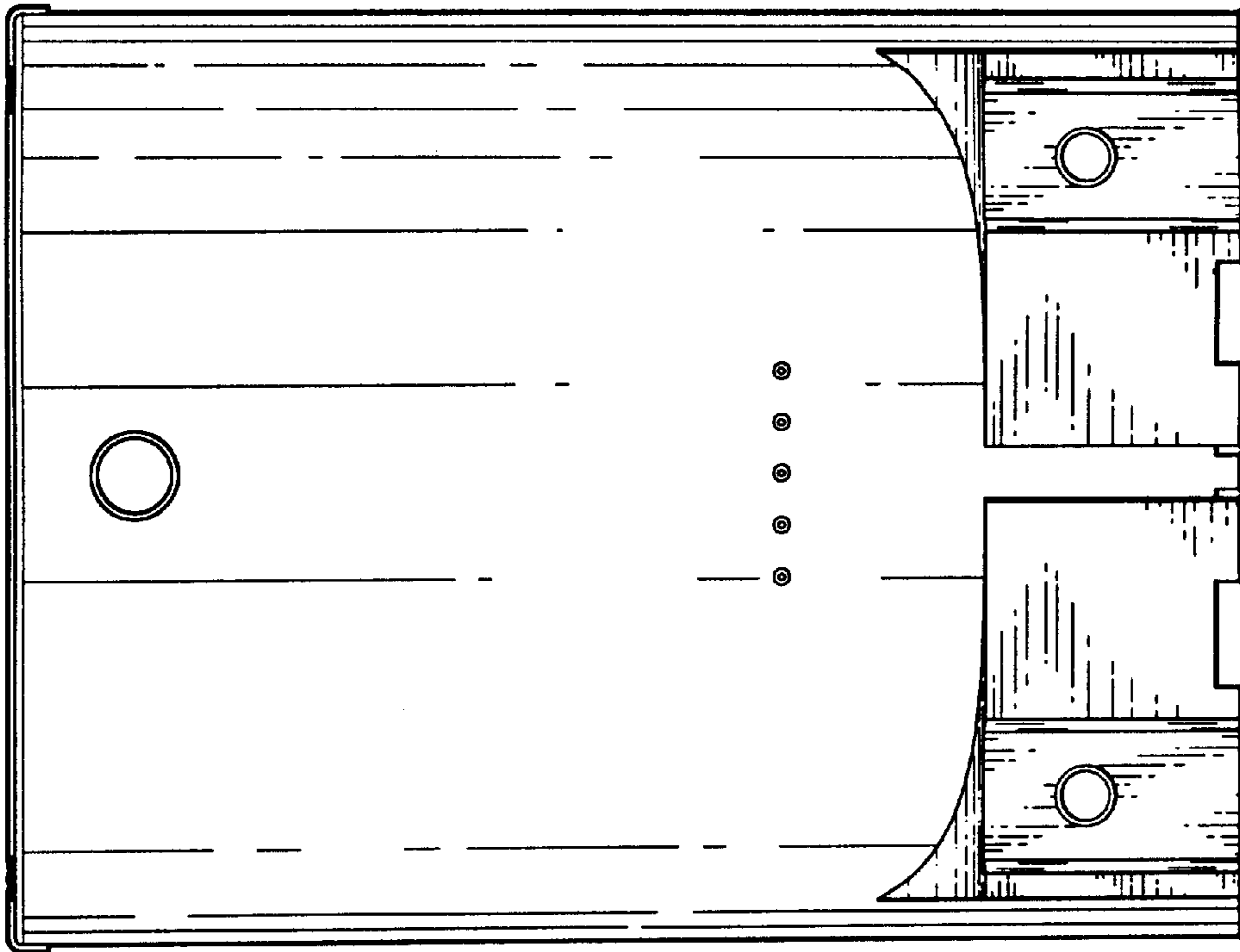


Fig. 3

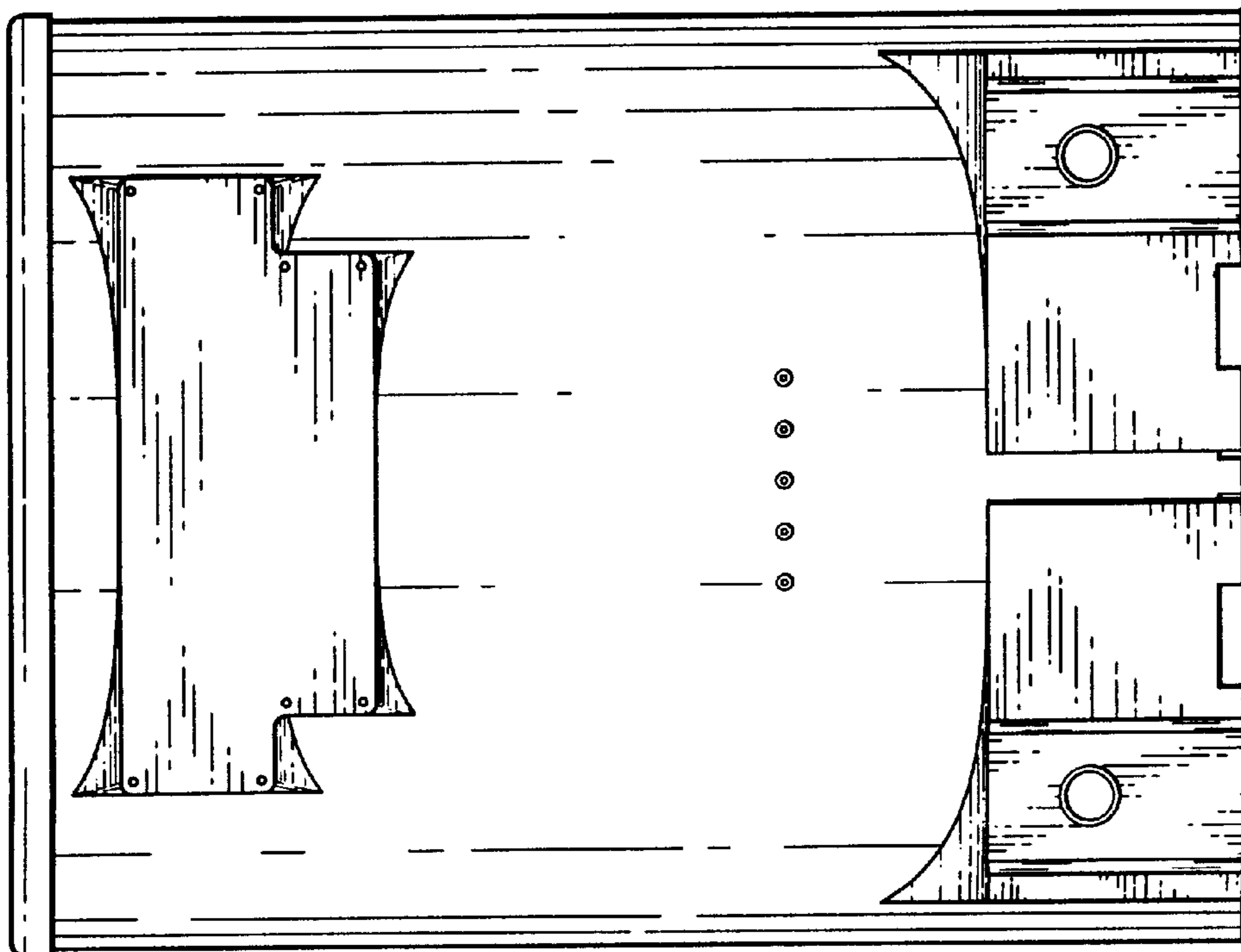


Fig. 2

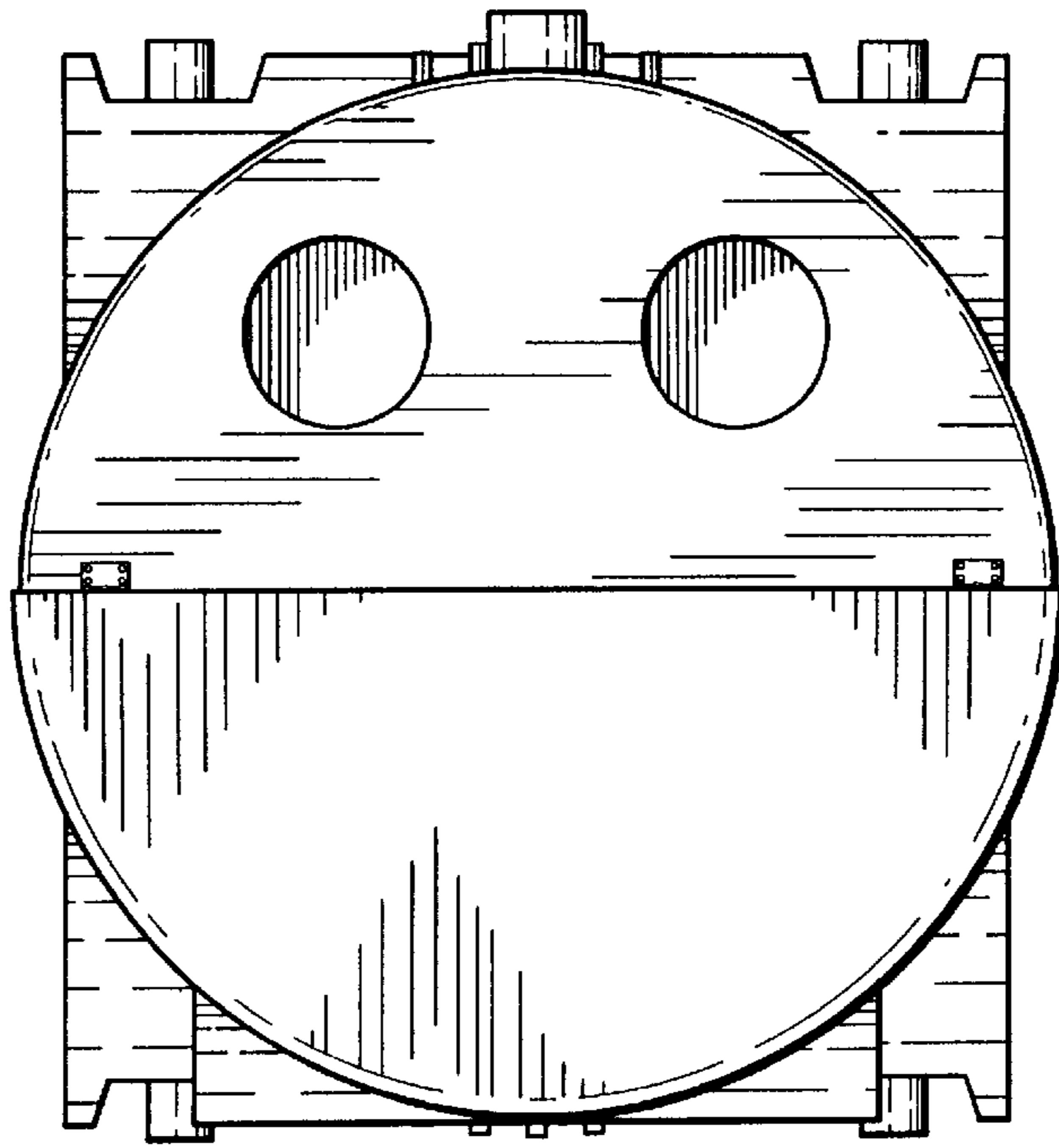


Fig. 4

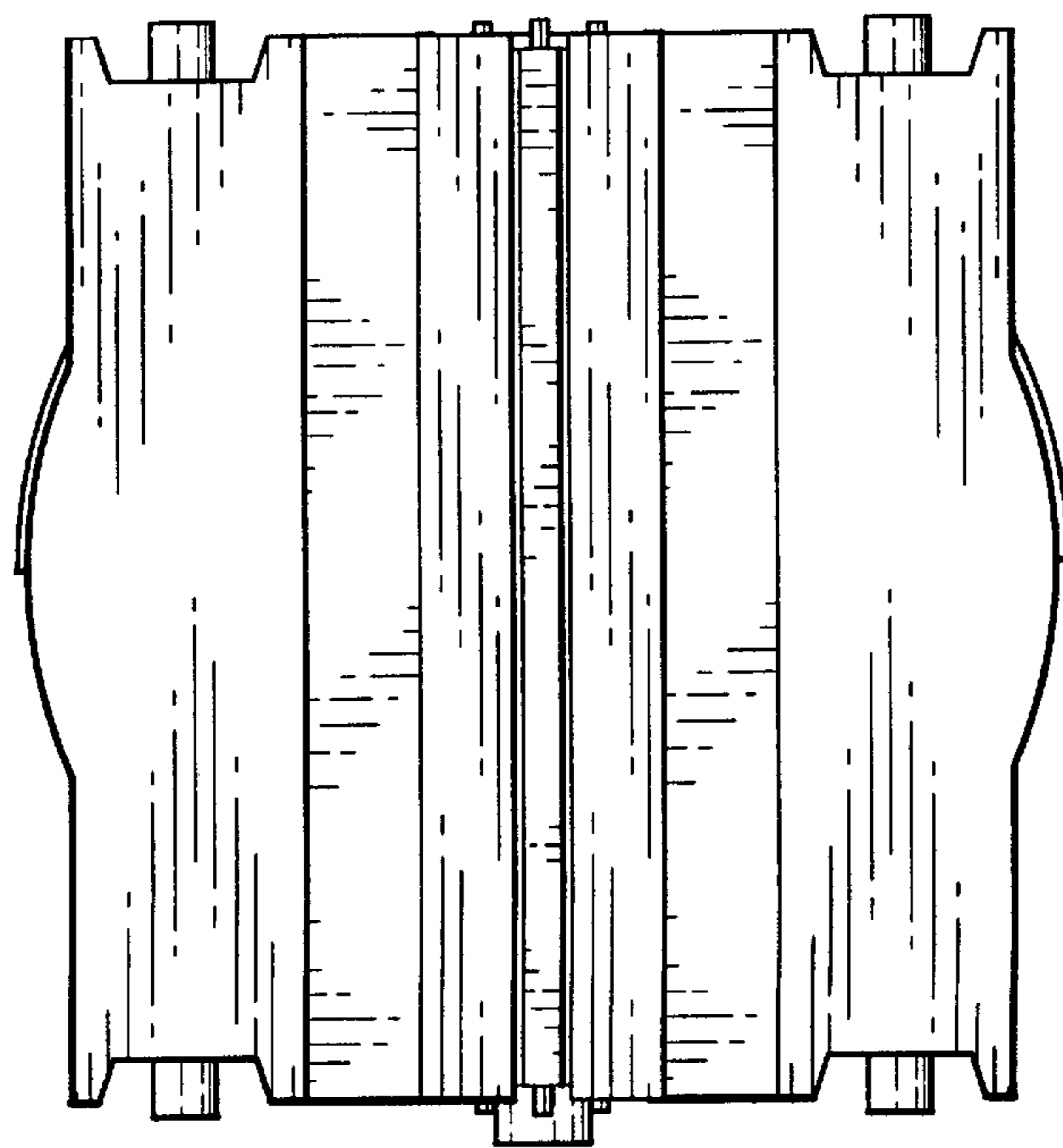


Fig. 5

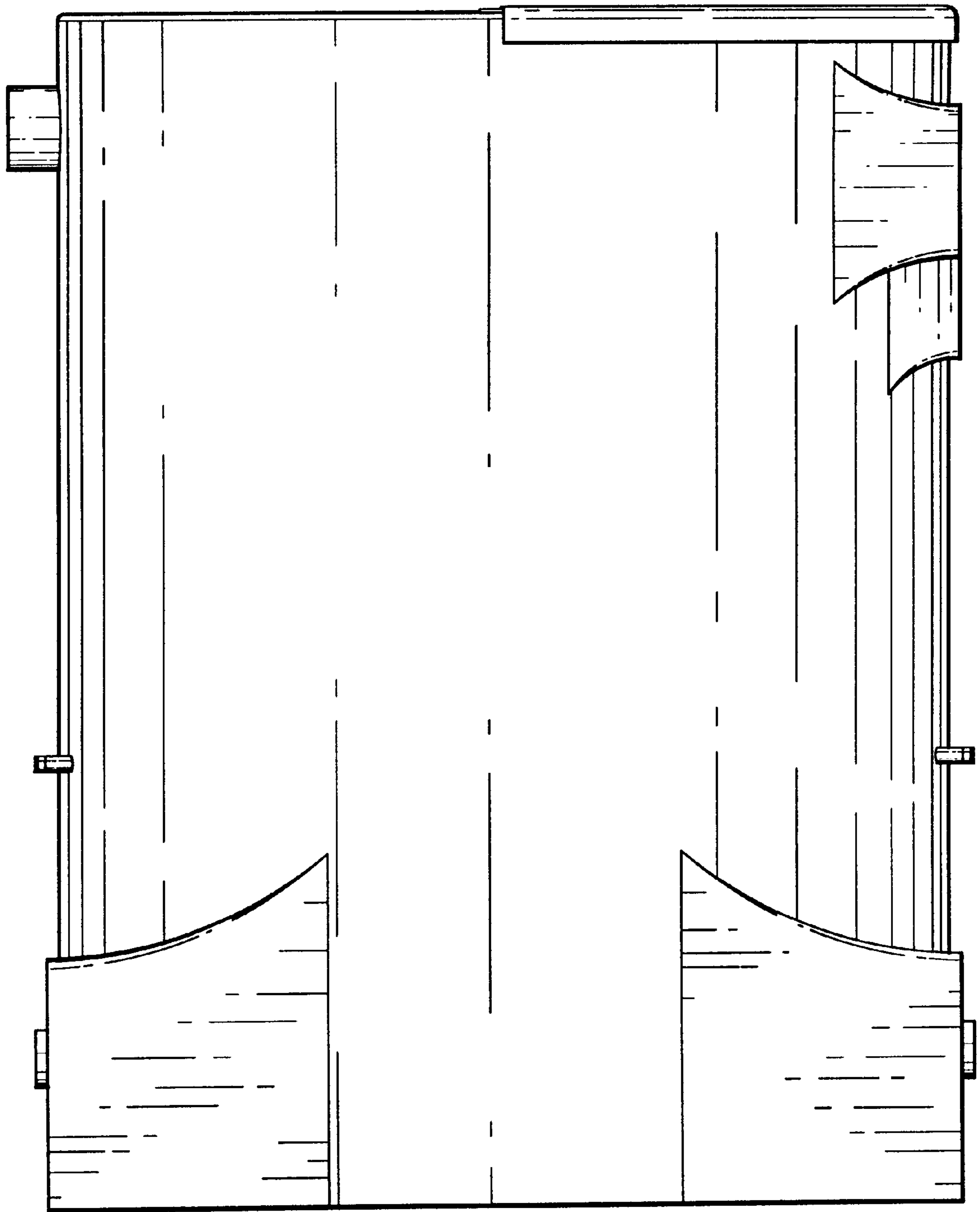


Fig. 6

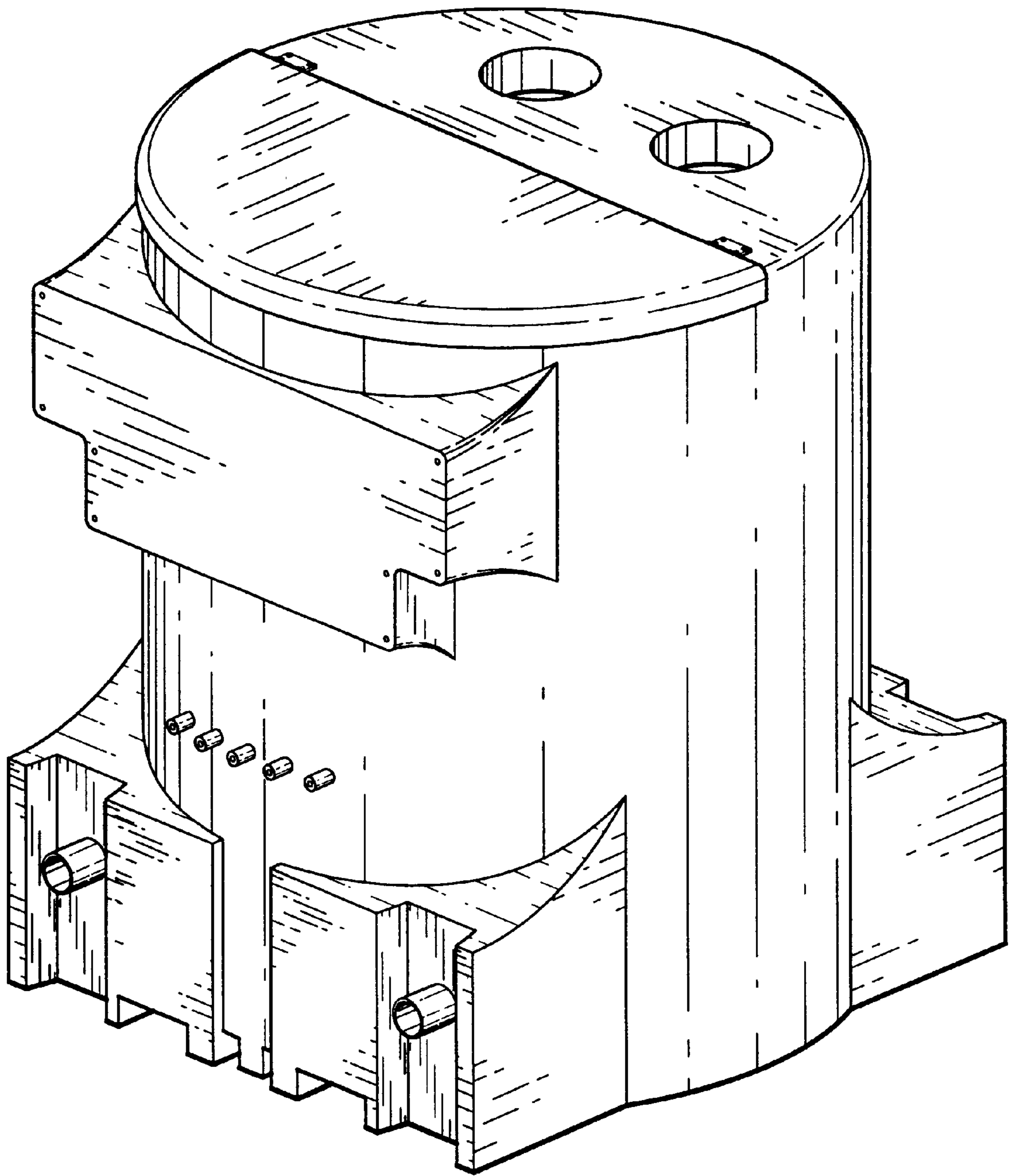


Fig. 7

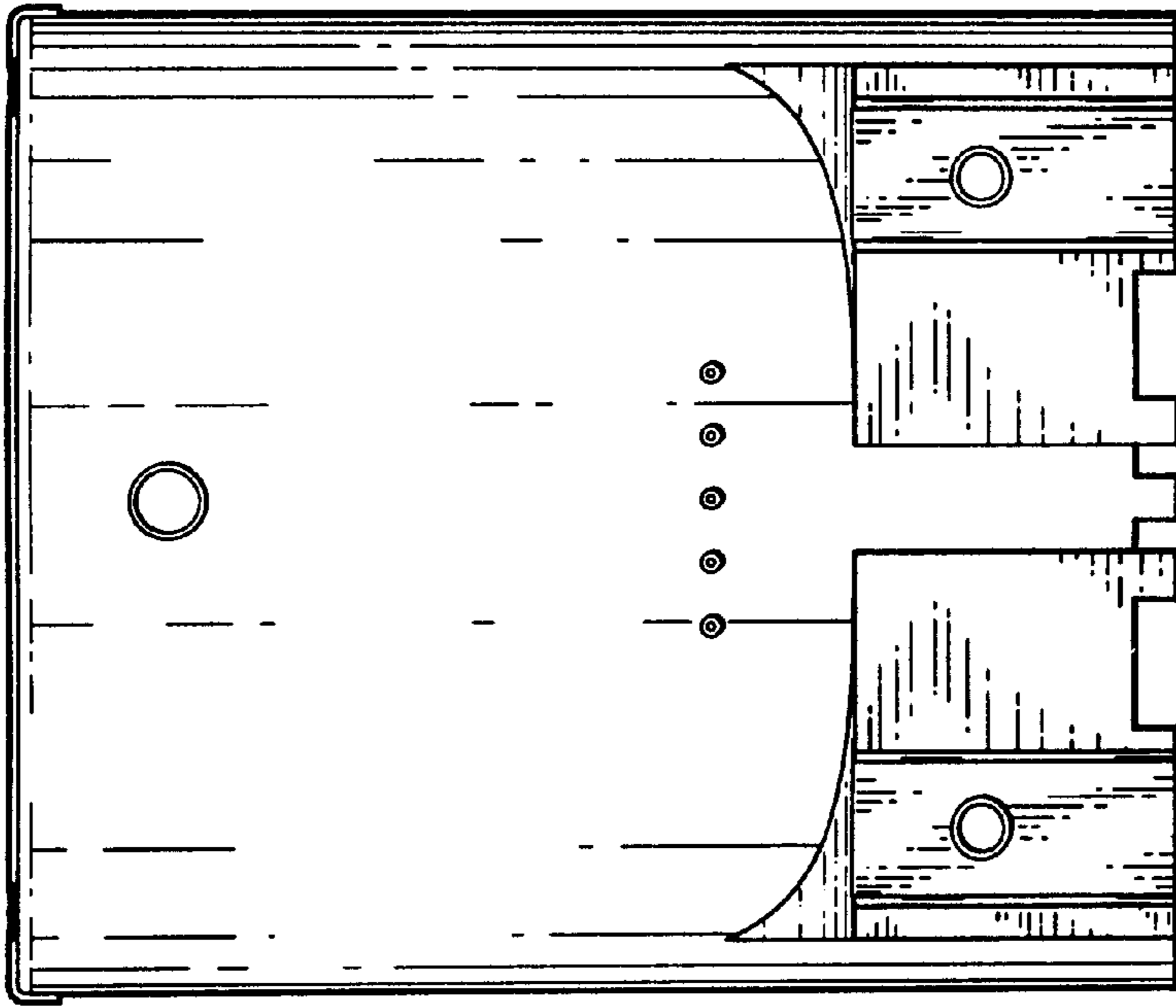


Fig. 9

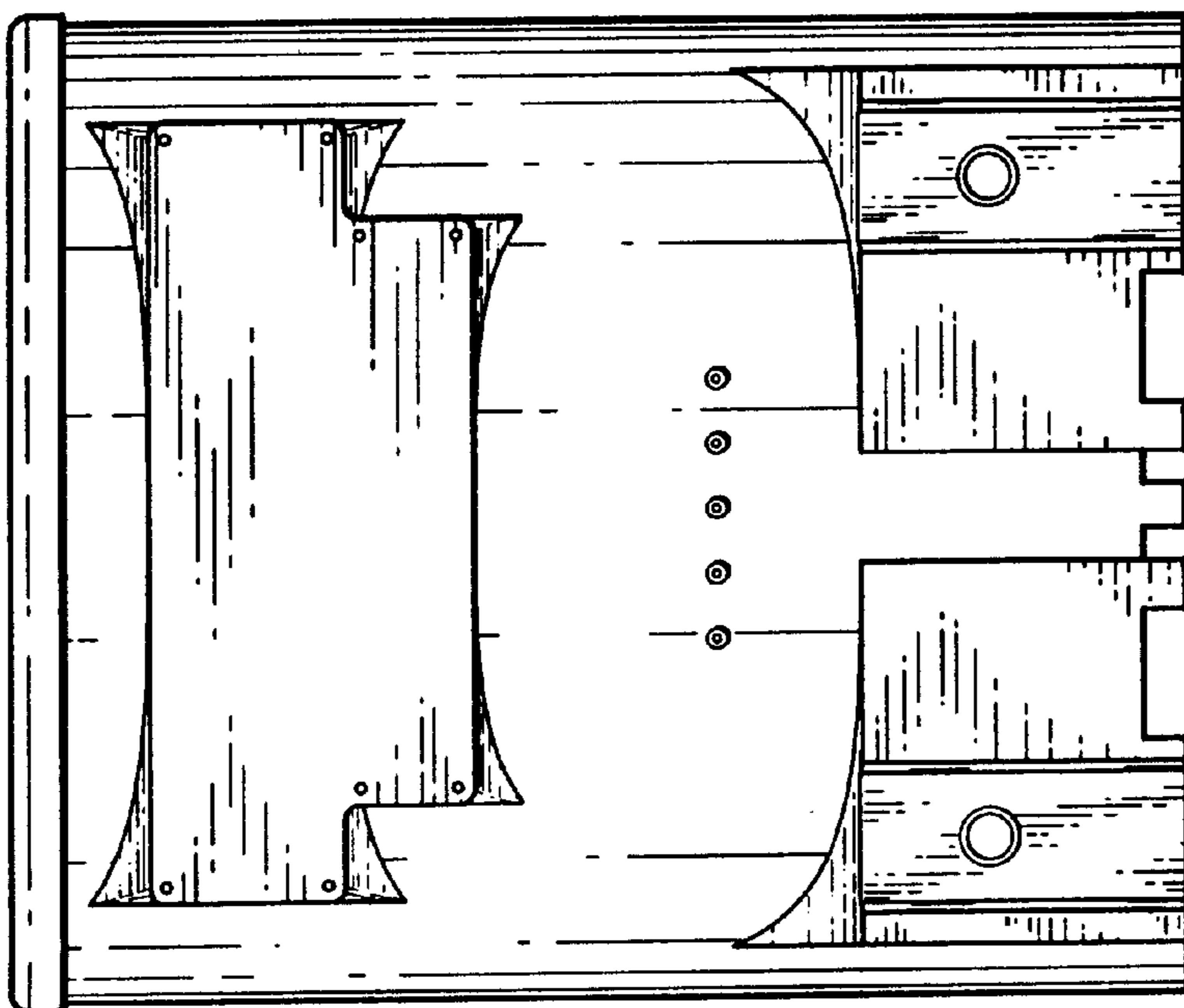


Fig. 8

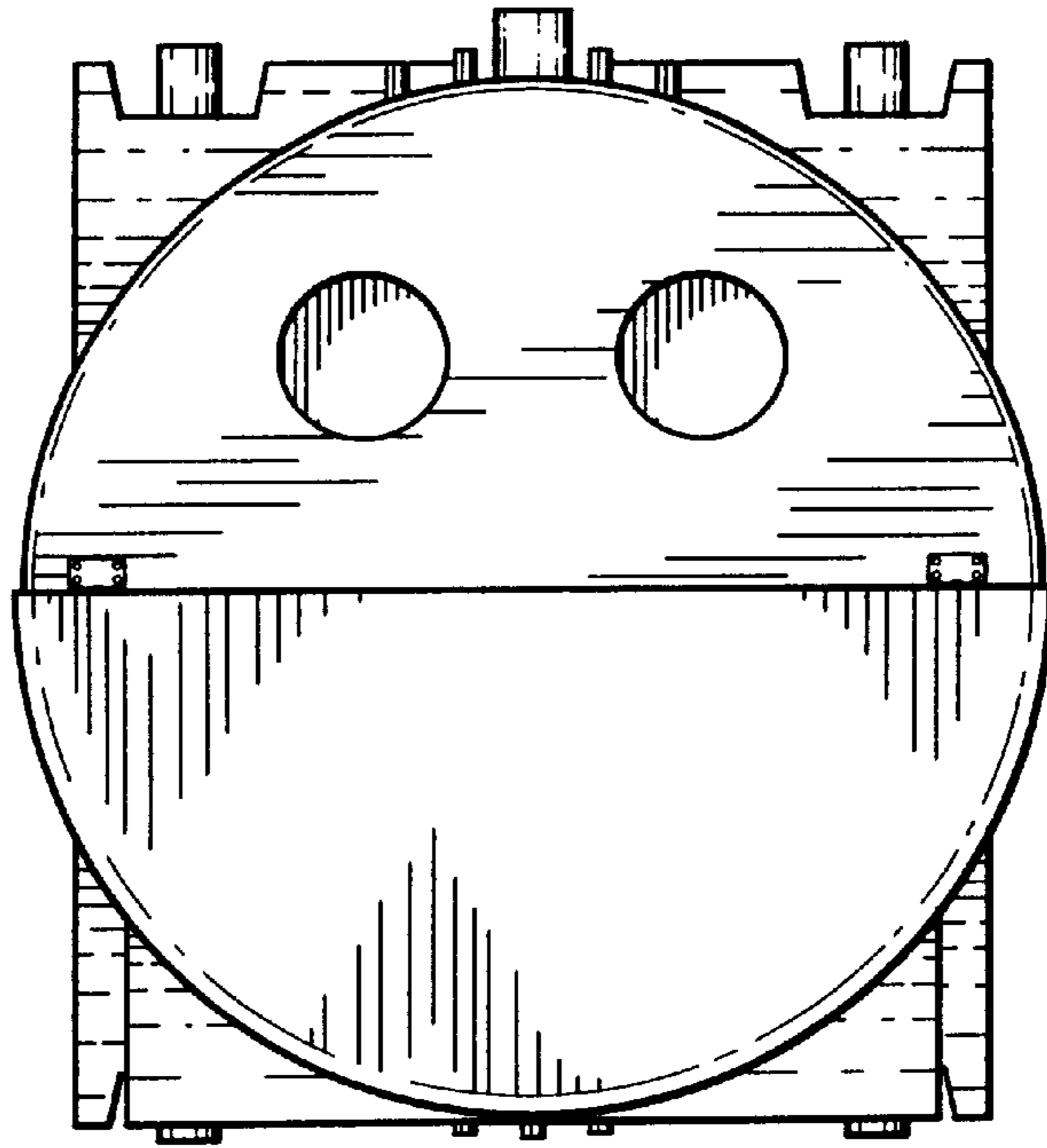


Fig. 10

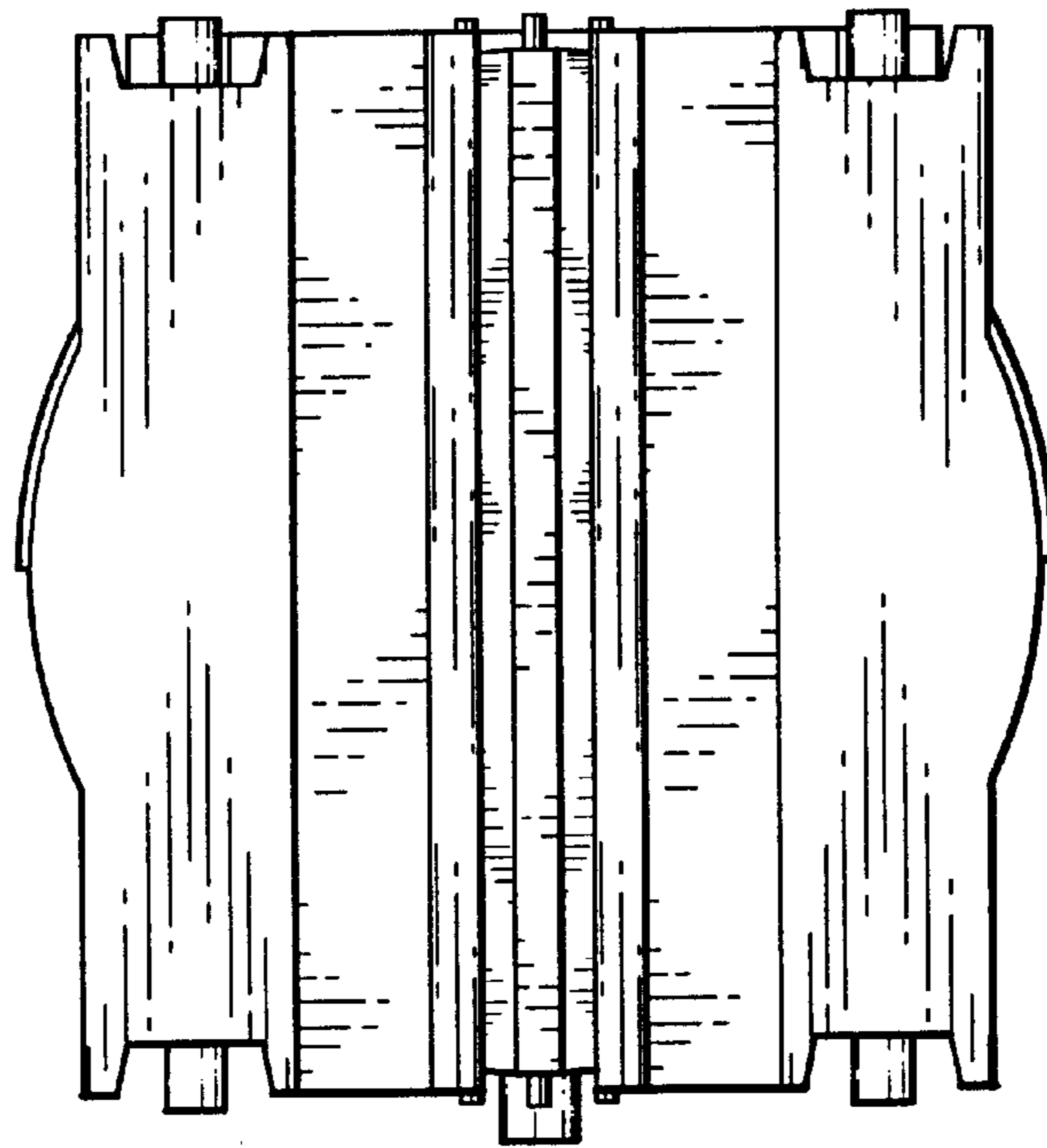


Fig. 11

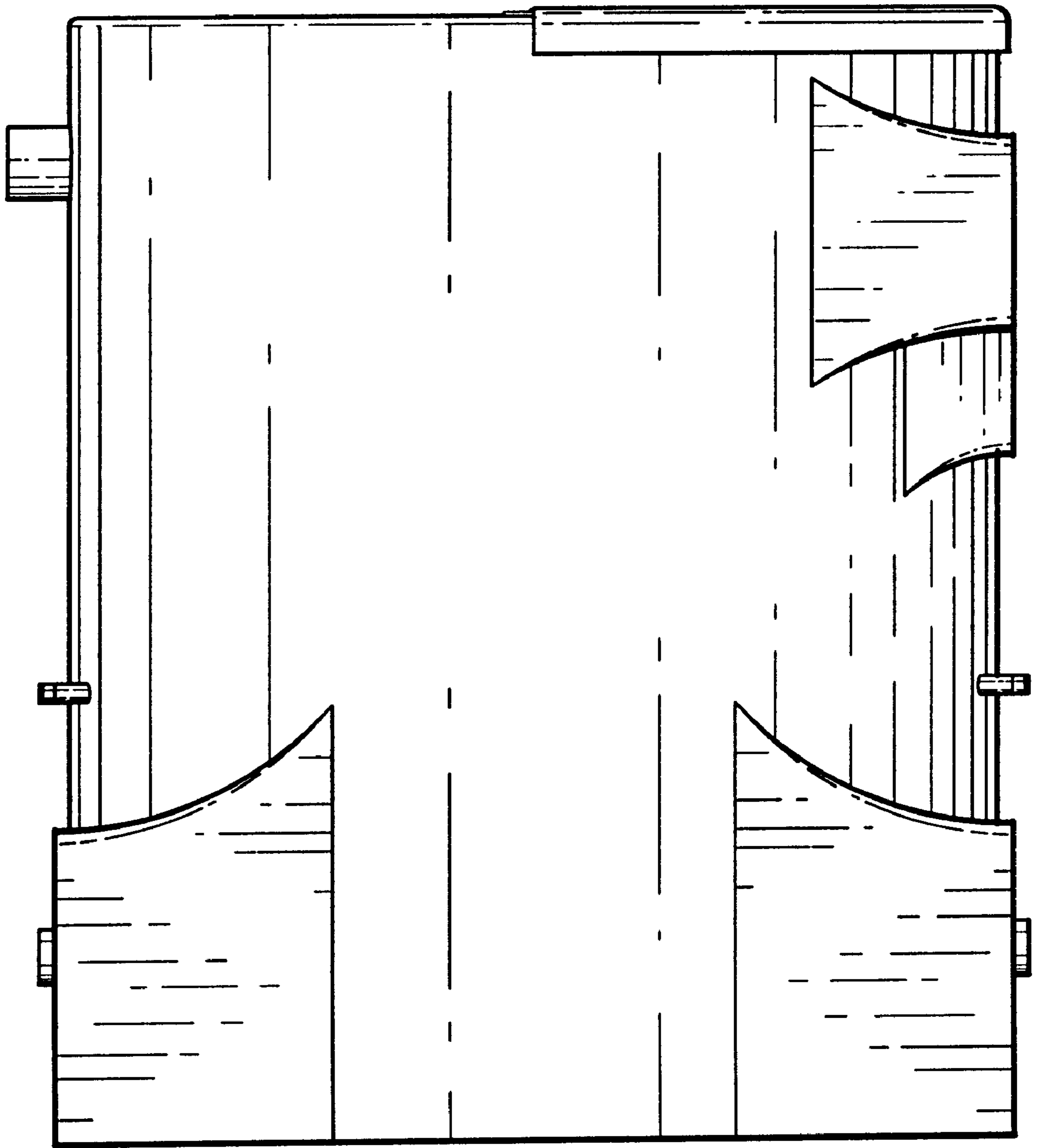


Fig. 12