



US00D415552S

United States Patent [19]
Malorni

[11] **Patent Number: Des. 415,552**
[45] **Date of Patent: ** Oct. 19, 1999**

[54] **FUNNEL FOR FILLING UP WINDSHIELD WASHER FLUID TANK**

[75] Inventor: **Michel Malorni, St-Léonard, Canada**

[73] Assignee: **9036-5305 Quebec Inc., St-Jean-sur-Richelieu, Canada**

[**] Term: **14 Years**

[21] Appl. No.: **29/089,281**

[22] Filed: **Jun. 11, 1998**

[30] **Foreign Application Priority Data**

Dec. 23, 1997 [CA] Canada 1997-3287

[51] **LOC (6) Cl.** **23-01**

[52] **U.S. Cl.** **D23/200; D7/700**

[58] **Field of Search** **D23/200; D7/700; D15/150; 141/297, 331-332, 339**

[56] **References Cited**

U.S. PATENT DOCUMENTS

- D. 309,241 7/1990 Ayyoubi et al. D7/700
- D. 309,558 7/1990 Ayyoubi et al. D7/700
- 1,242,453 10/1917 Lester .
- 1,510,631 10/1924 Nutry .
- 1,563,005 11/1925 Allee .

- 4,256,154 3/1981 Black .
- 4,286,634 9/1981 Wisner .
- 5,188,157 2/1993 Lee .
- 5,195,567 3/1993 Tyree 141/297
- 5,360,039 11/1994 Verrilli .
- 5,445,196 8/1995 Tyree, Jr. .
- 5,535,793 7/1996 Tantre 141/331
- 5,634,502 6/1997 Pierce 141/331

Primary Examiner—Robin V. Taylor
Attorney, Agent, or Firm—Robic

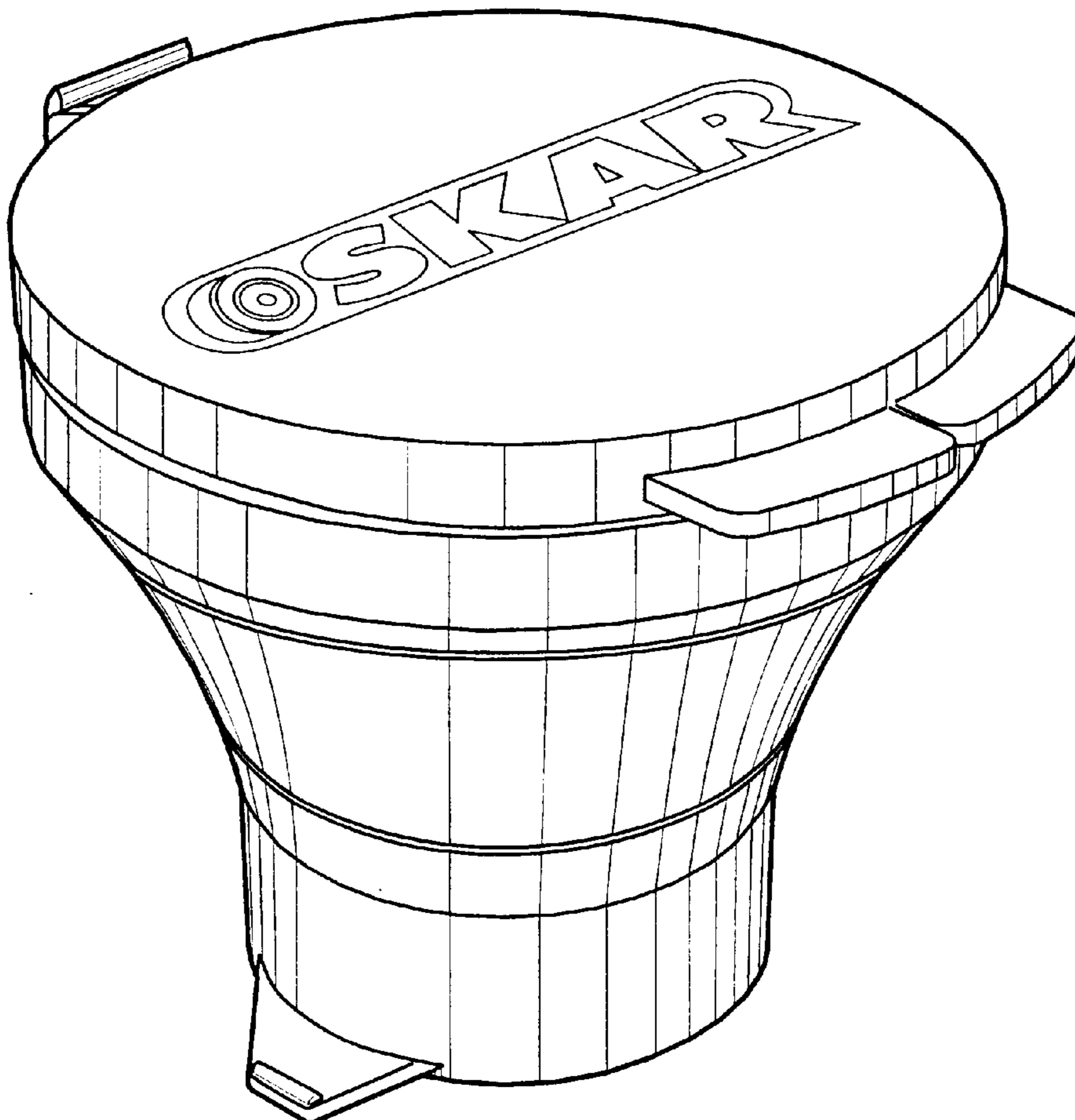
[57] **CLAIM**

The ornamental design for a funnel for filling up windshield washer fluid tank, as shown and described.

DESCRIPTION

FIG. 1 is a top front perspective view of a funnel for filling up windshield washer fluid tank, showing my new design, in closed position;
 FIG. 2 is a top front perspective view thereof, in open position;
 FIG. 3 is a top plan view thereof, in closed position;
 FIG. 4 is a side elevational view thereof, in closed position;
 FIG. 5 is a rear elevational view thereof, in closed position;
 and,
 FIG. 6 is a bottom plan view thereof.

1 Claim, 4 Drawing Sheets



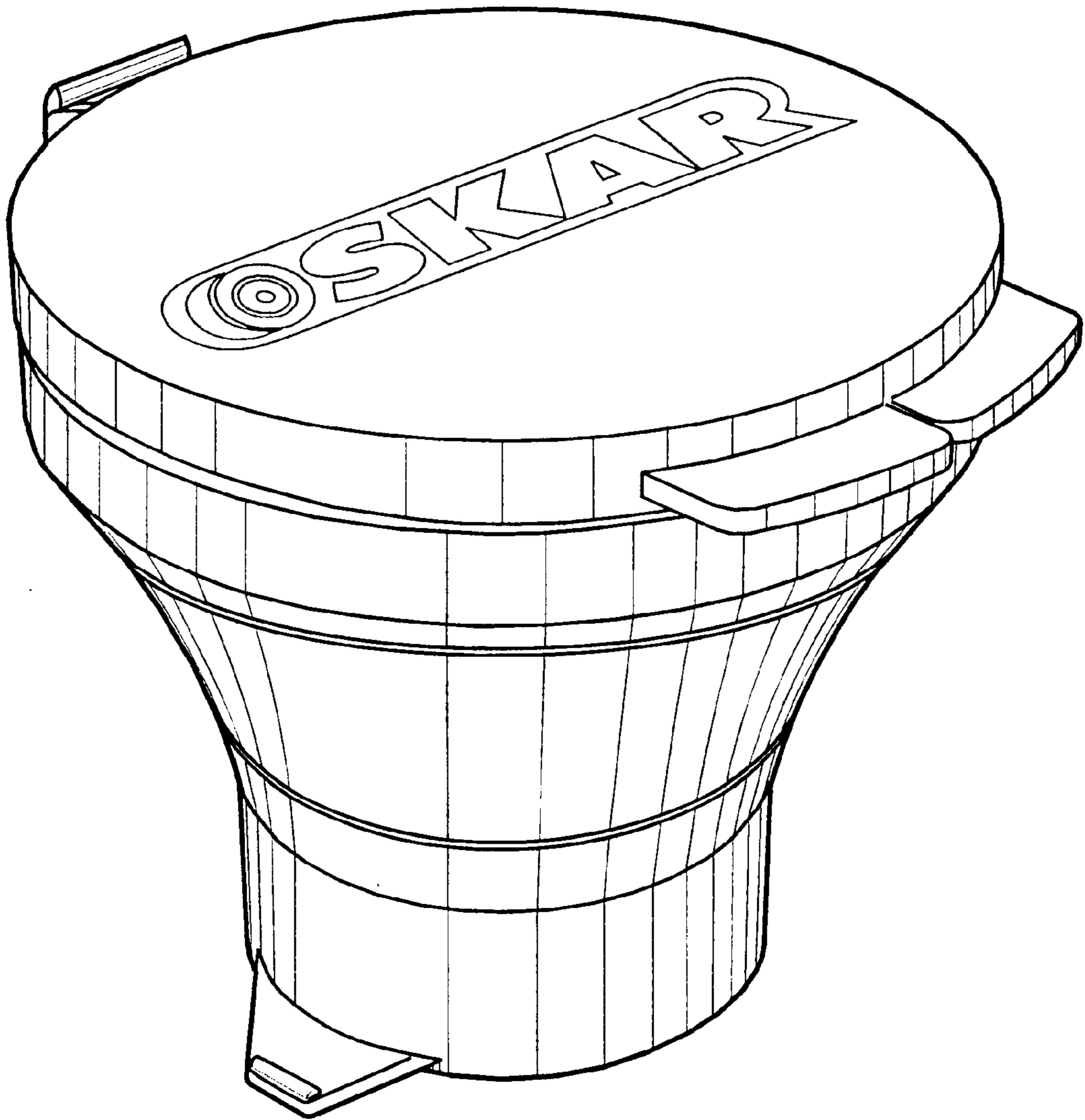


FIG. 1

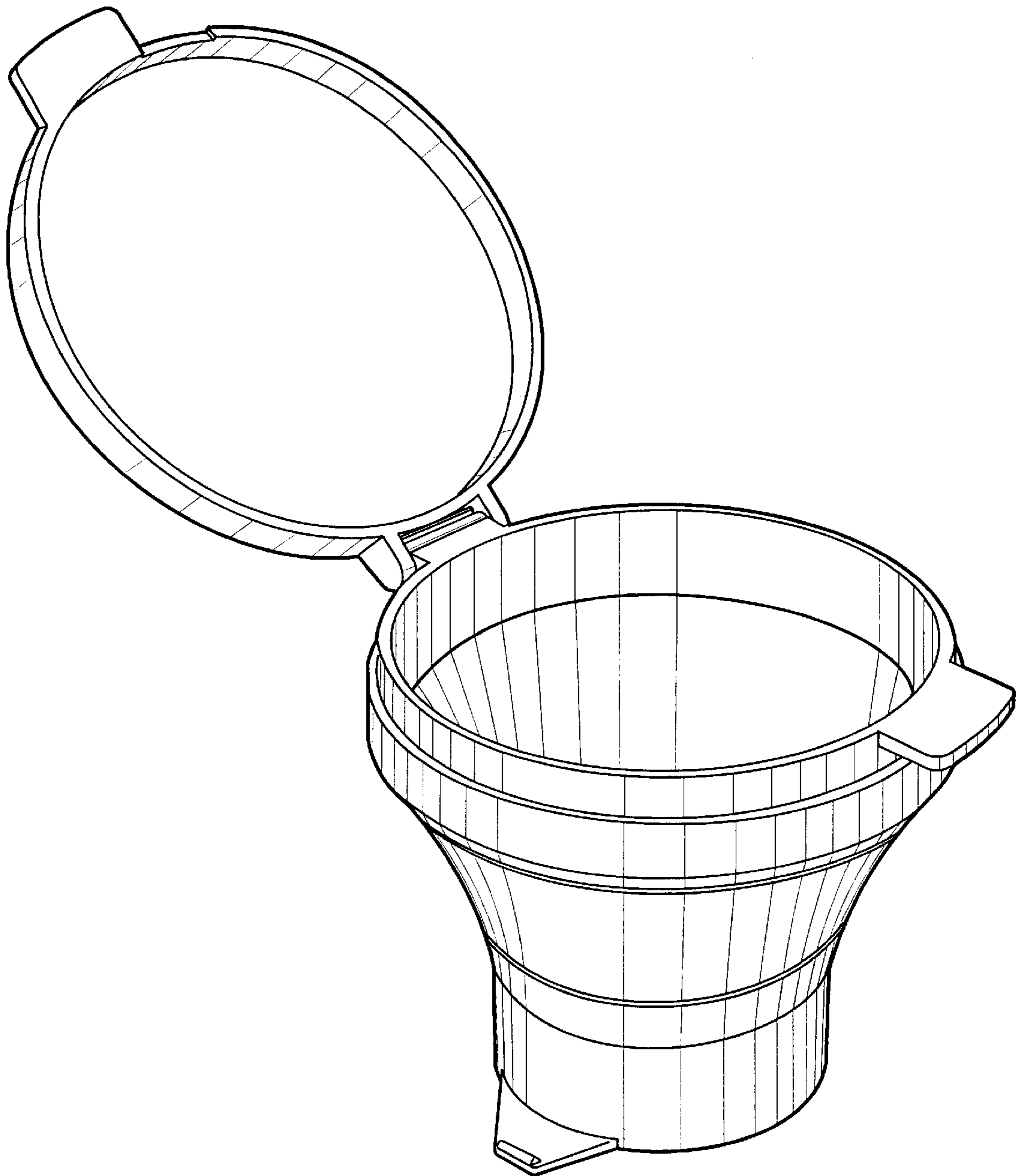


FIG. 2

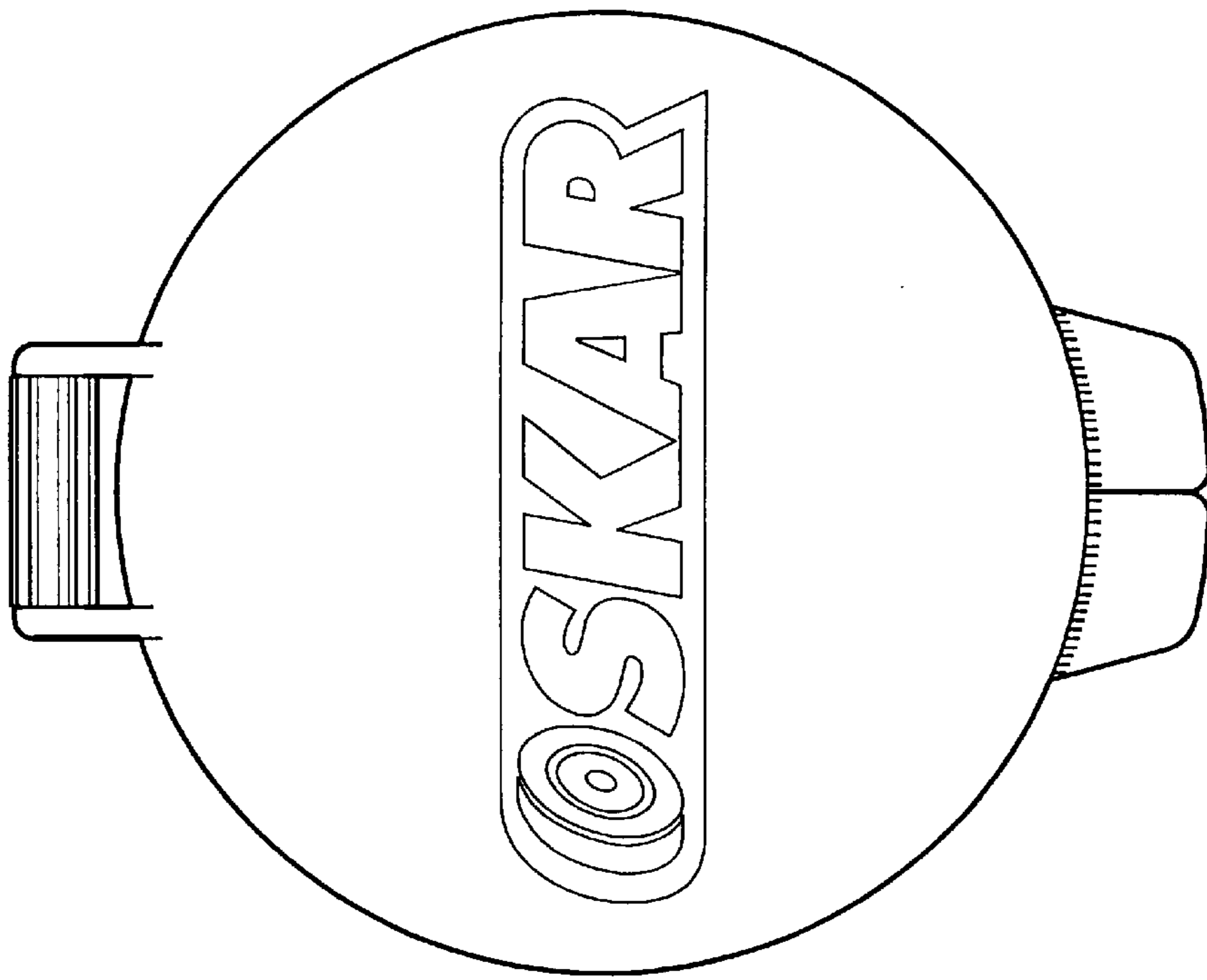


FIG. 3

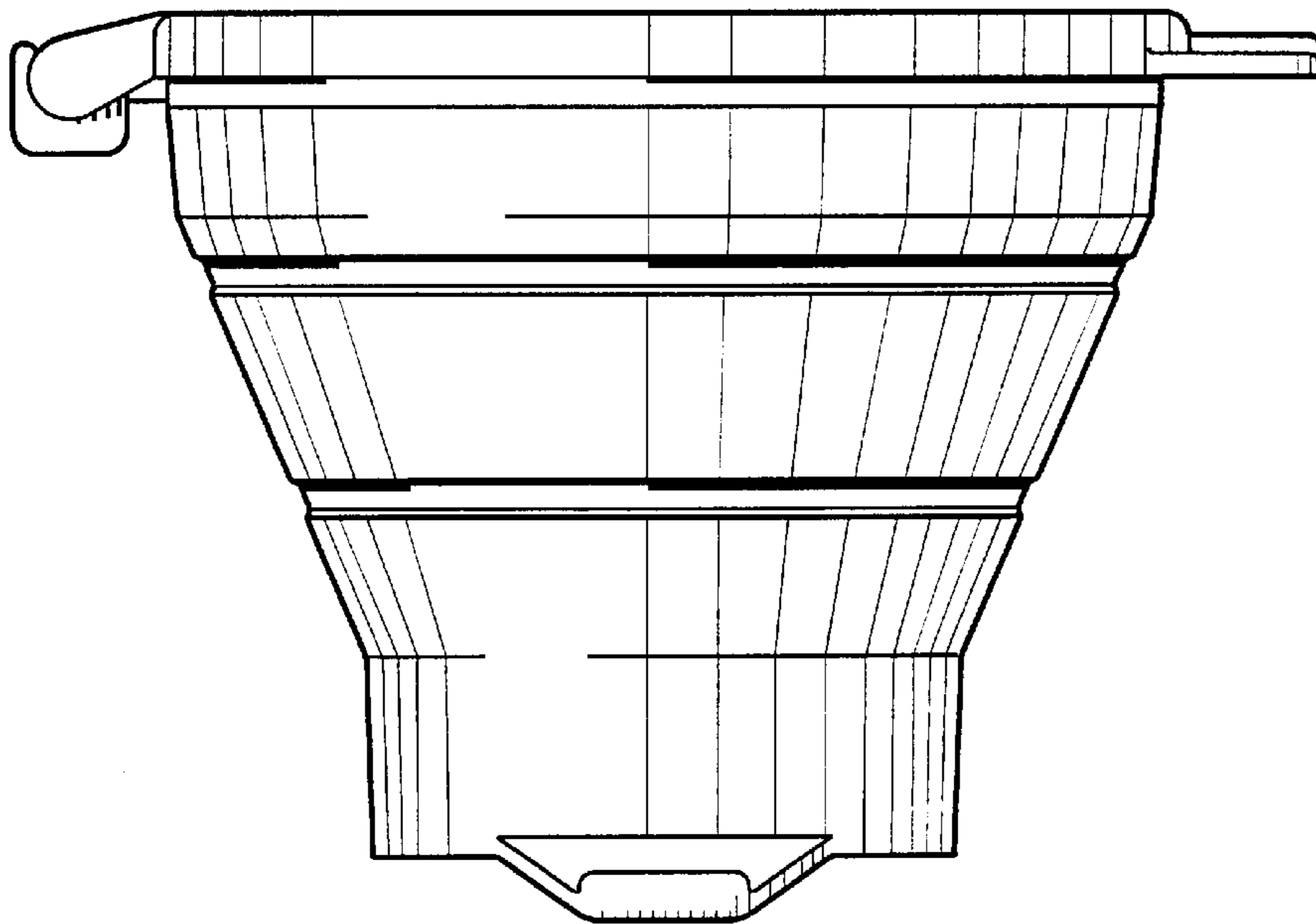


FIG. 4

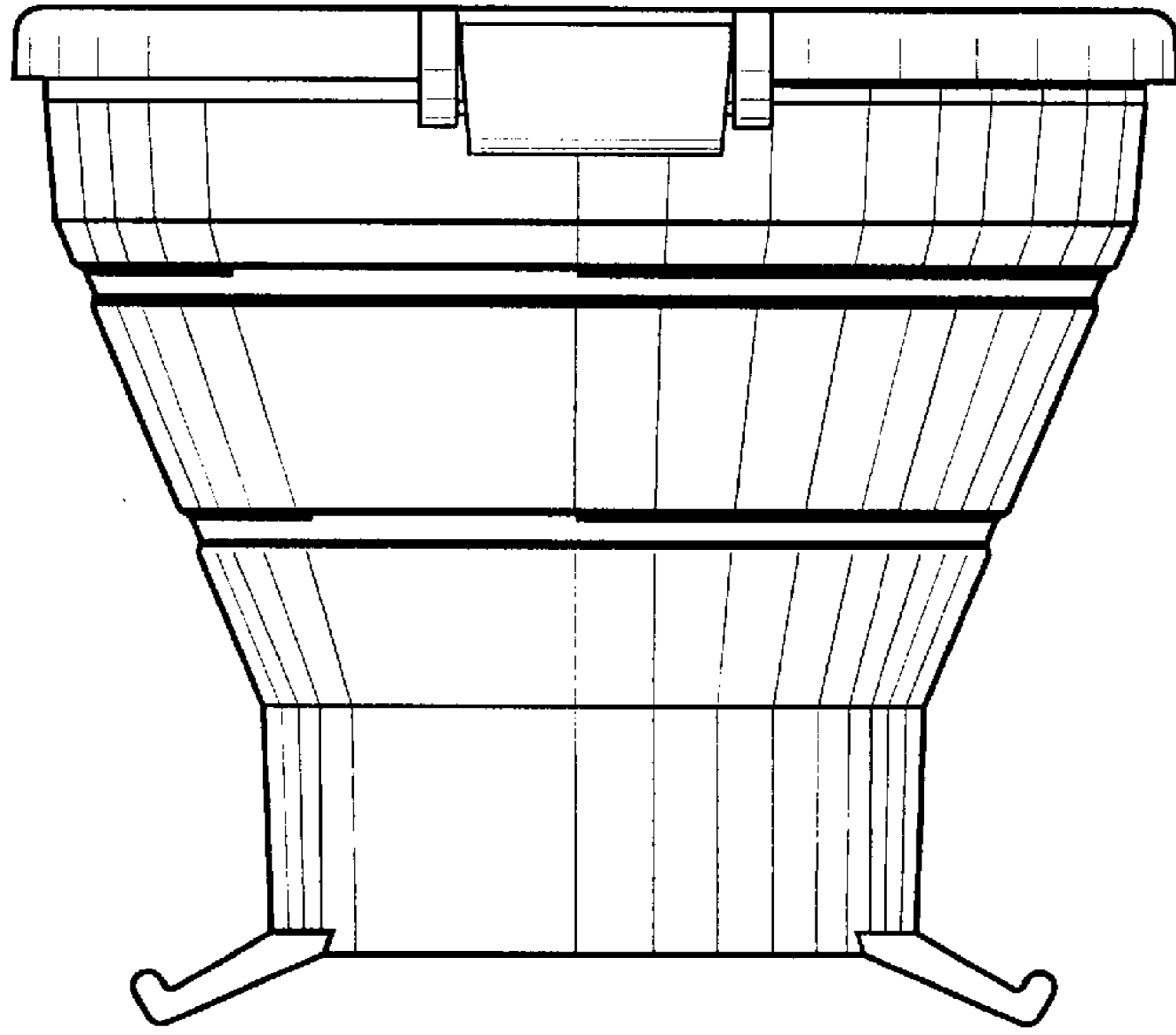


FIG. 5

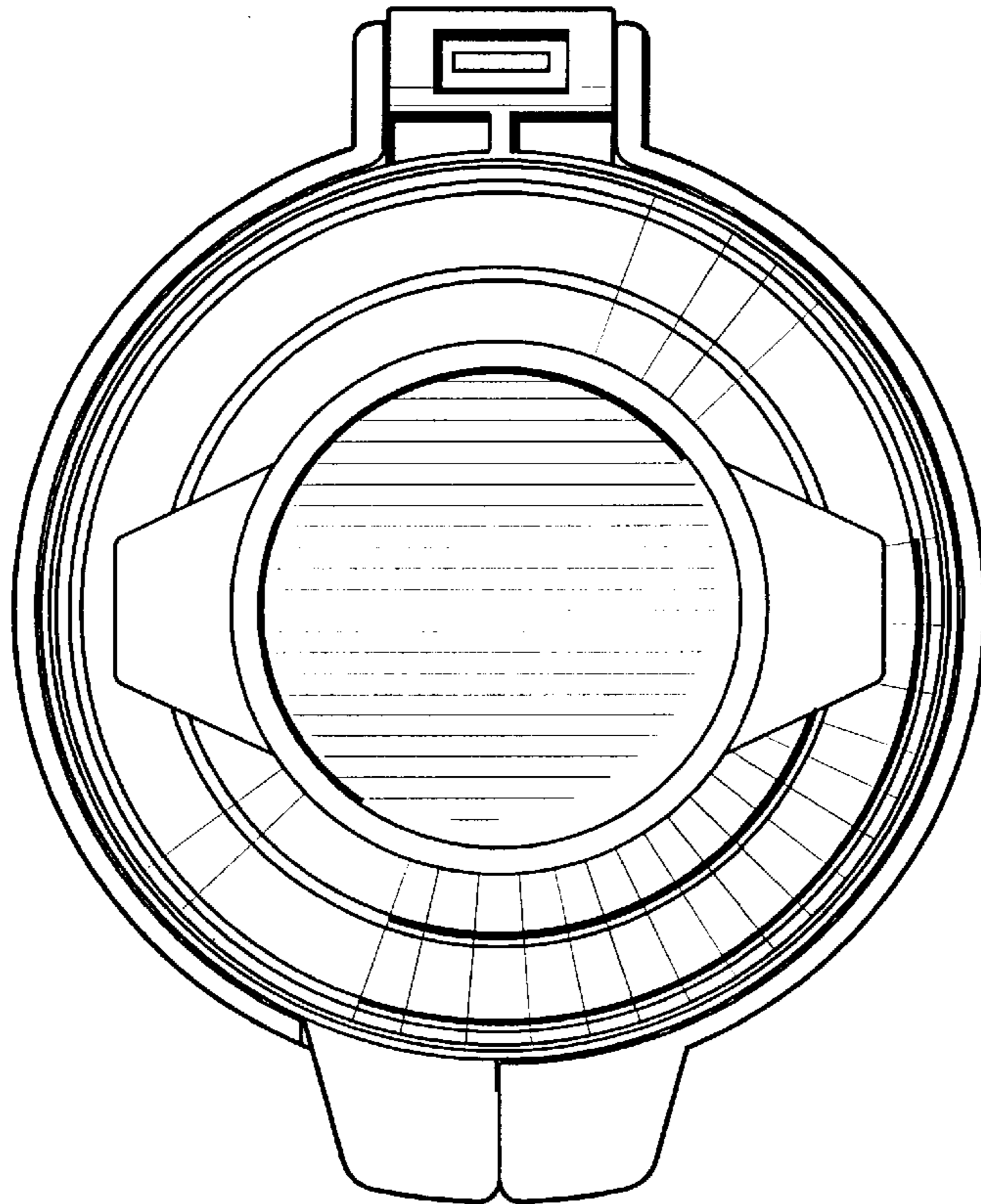


FIG. 6