



US00D415550S

United States Patent [19] Yamaguchi

[11] Patent Number: Des. 415,550

[45] Date of Patent: ** Oct. 19, 1999

[54] **SPOOL FOR A SPINNING FISHING REEL**

[75] Inventor: **Kaname Yamaguchi**, Tokyo, Japan

[73] Assignee: **Daiwa Seiko, Inc.**, Tokyo, Japan

[**] Term: **14 Years**

[21] Appl. No.: **29/089,861**

[22] Filed: **Jun. 24, 1998**

[30] **Foreign Application Priority Data**

Dec. 24, 1997	[JP]	Japan	9-79513
Dec. 24, 1997	[JP]	Japan	9-79514

[51] **LOC (6) Cl.** **22-05**

[52] **U.S. Cl.** **D22/137**

[58] **Field of Search** D22/137, 138,
D22/140, 141, 322; D12/207; 242/118.3,
118.4, 118.6, 118.7, 129.5, 129.7, 613.1,
613.2, 311, 322

[56] **References Cited**

U.S. PATENT DOCUMENTS

D. 369,336	4/1996	Zemlicka et al.	D12/207
D. 369,847	5/1996	Kuntze .		
D. 393,689	4/1998	Kaneko et al.	D22/137
D. 394,299	5/1998	Miyazaki et al.	D22/137
5,456,418	10/1995	Hitomi	242/322
5,476,320	12/1995	Yamaguchi	242/311

FOREIGN PATENT DOCUMENTS

956754	6/1997	Japan .
983610	7/1997	Japan .

Primary Examiner—Louis S. Zarfes
Assistant Examiner—Inga-Maria Hyttinen
Attorney, Agent, or Firm—Sughrue, Mion, Zinn, Macpeak & Seas, PLLC

[57] **CLAIM**

The ornamental design for a spool for a spinning fishing reel, as shown and described.

DESCRIPTION

FIG. 1 is a perspective view of the rear and a portion of the circumferential surface of a spool for a spinning fishing reel according to a first embodiment showing my new design, it being understood that the surface is uniform throughout the circumference of the spool;
FIG. 2 is a perspective view of the front and a portion of the circumferential surface thereof;
FIG. 3 is a side elevational view thereof;
FIG. 4 is a rear elevational view thereof;
FIG. 5 is a front elevational view thereof;
FIG. 6 is a sectional view taken along the line 6—6 in FIG. 4 thereof;
FIG. 7 is a perspective view of the rear and a portion of the circumferential surface of a spool for a spinning fishing reel according to a second embodiment thereof;
FIG. 8 is a perspective view of the front and a portion of the circumferential surface thereof;
FIG. 9 is a side elevational view thereof;
FIG. 10 is a rear elevational view thereof;
FIG. 11 is a front elevational view thereof; and,
FIG. 12 is a sectional view taken along the line 12—12 in FIG. 10 thereof.

1 Claim, 4 Drawing Sheets

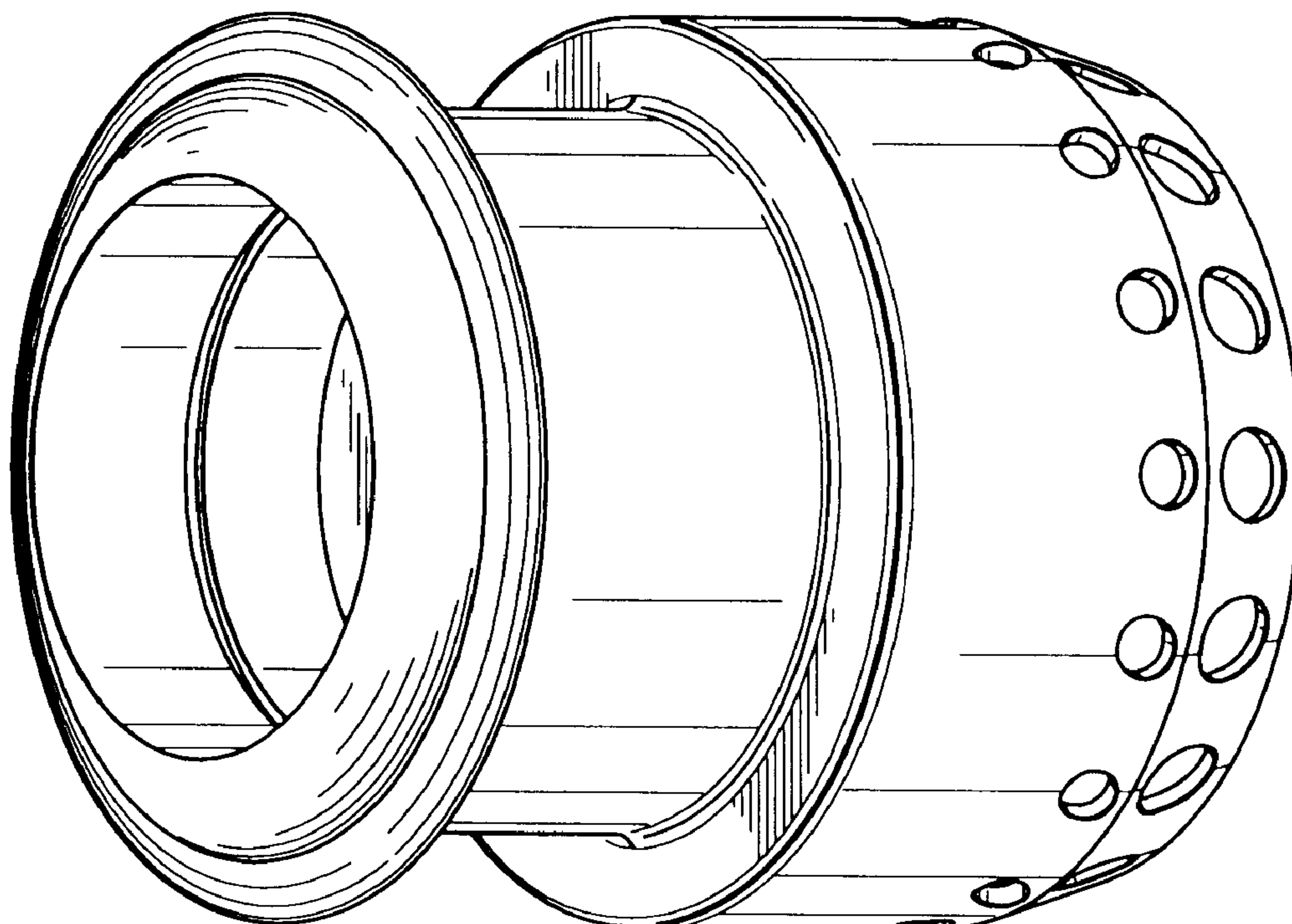


FIG. 1

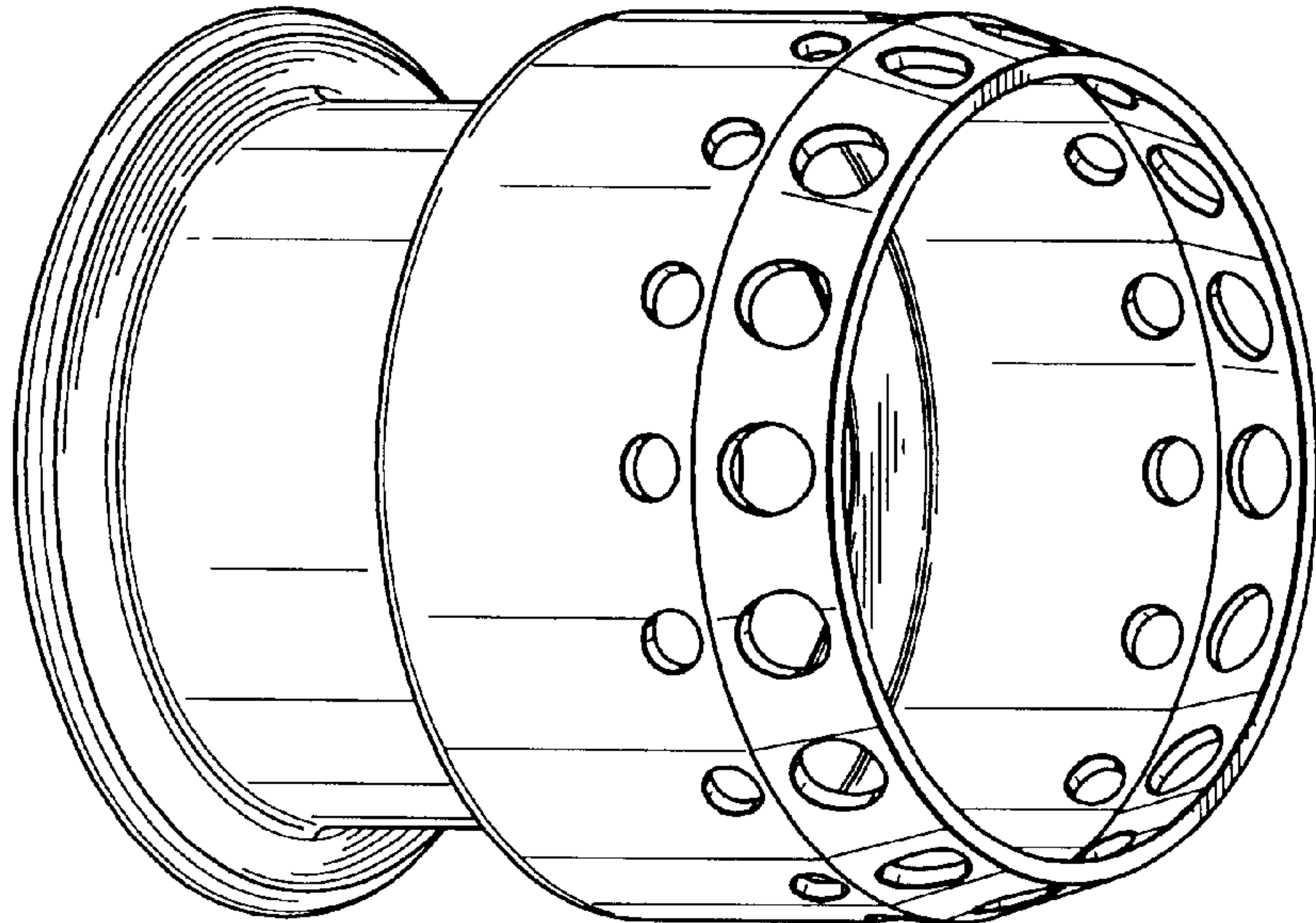


FIG. 2

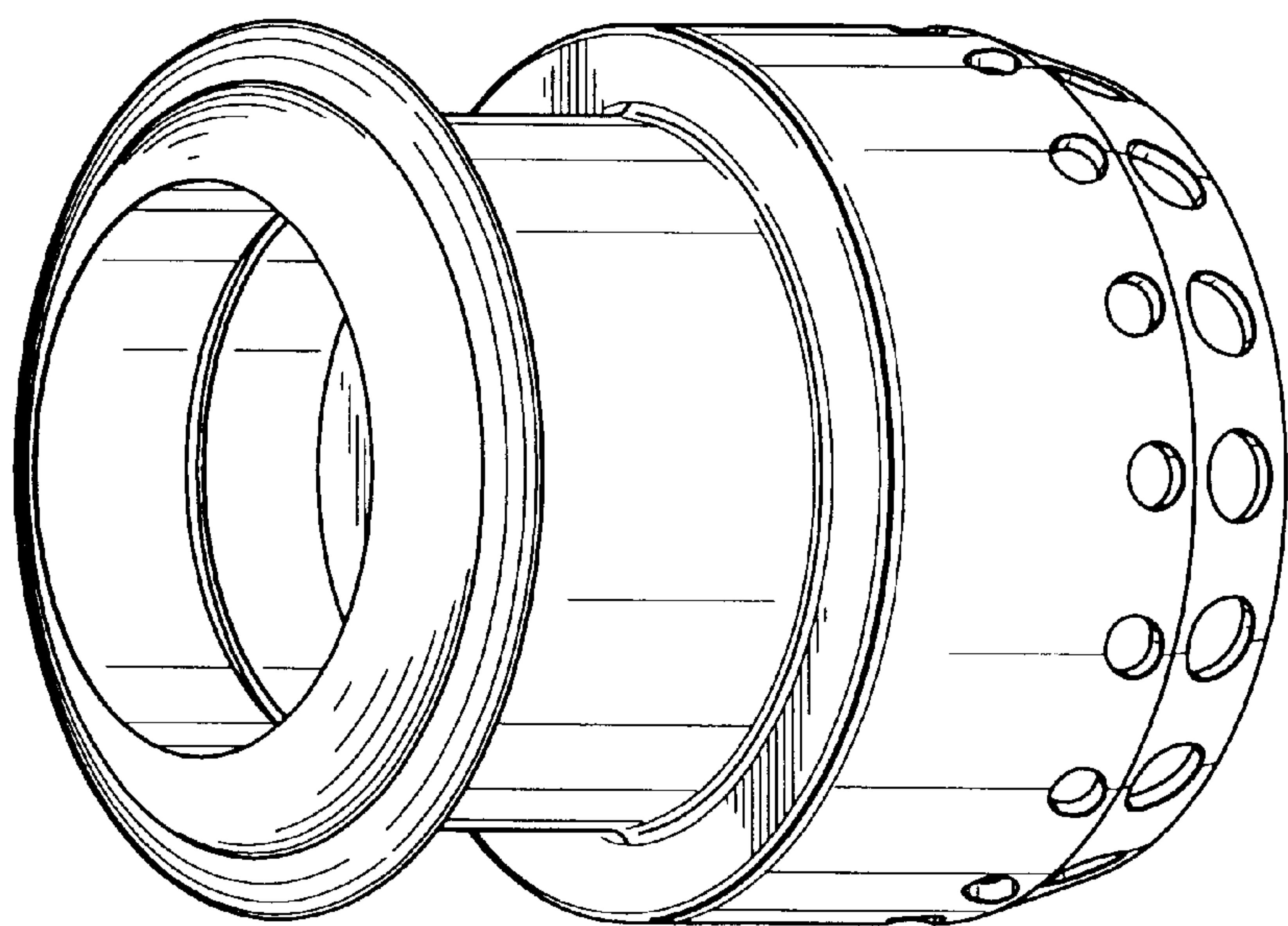


FIG. 3

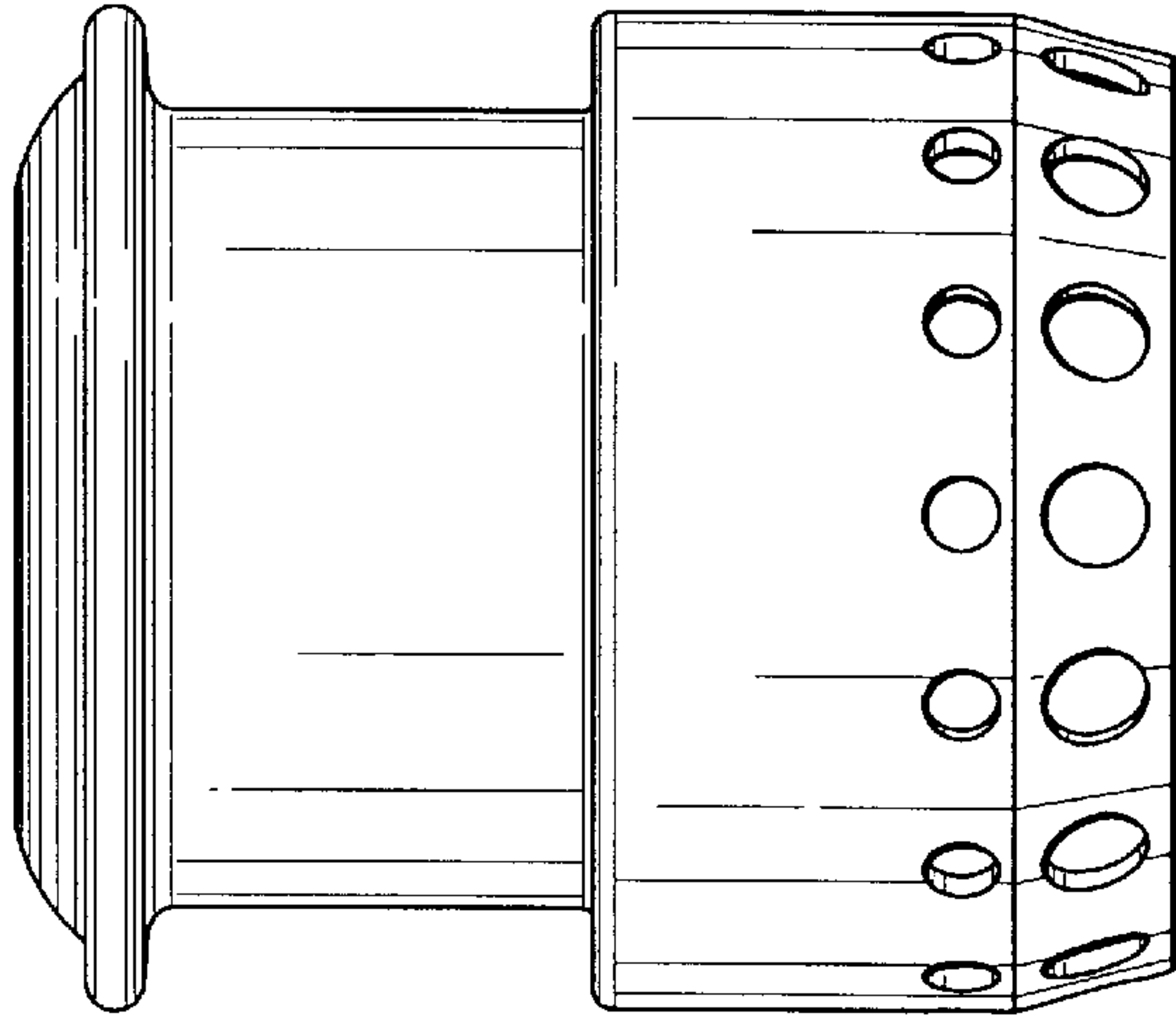


FIG. 4

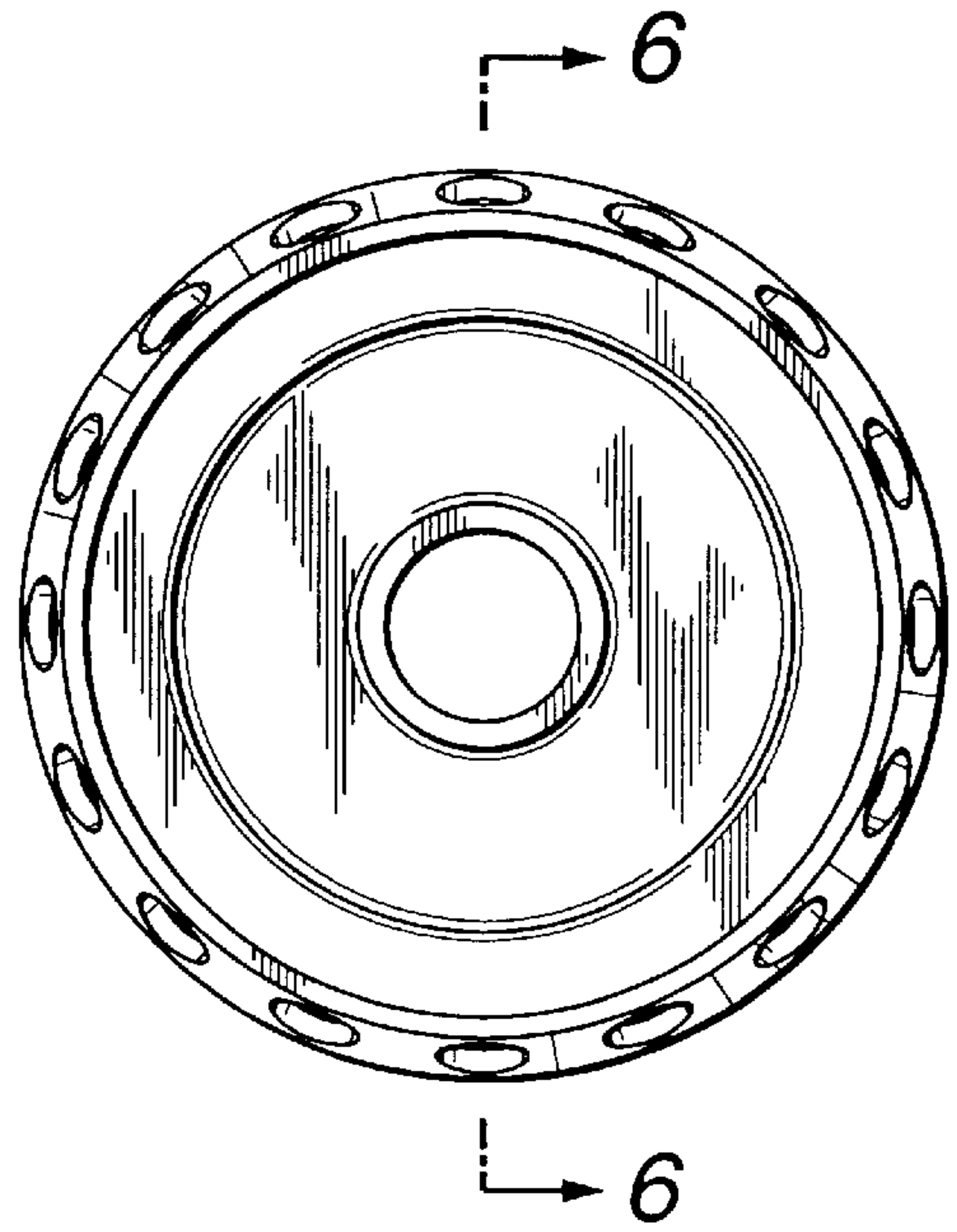


FIG. 5

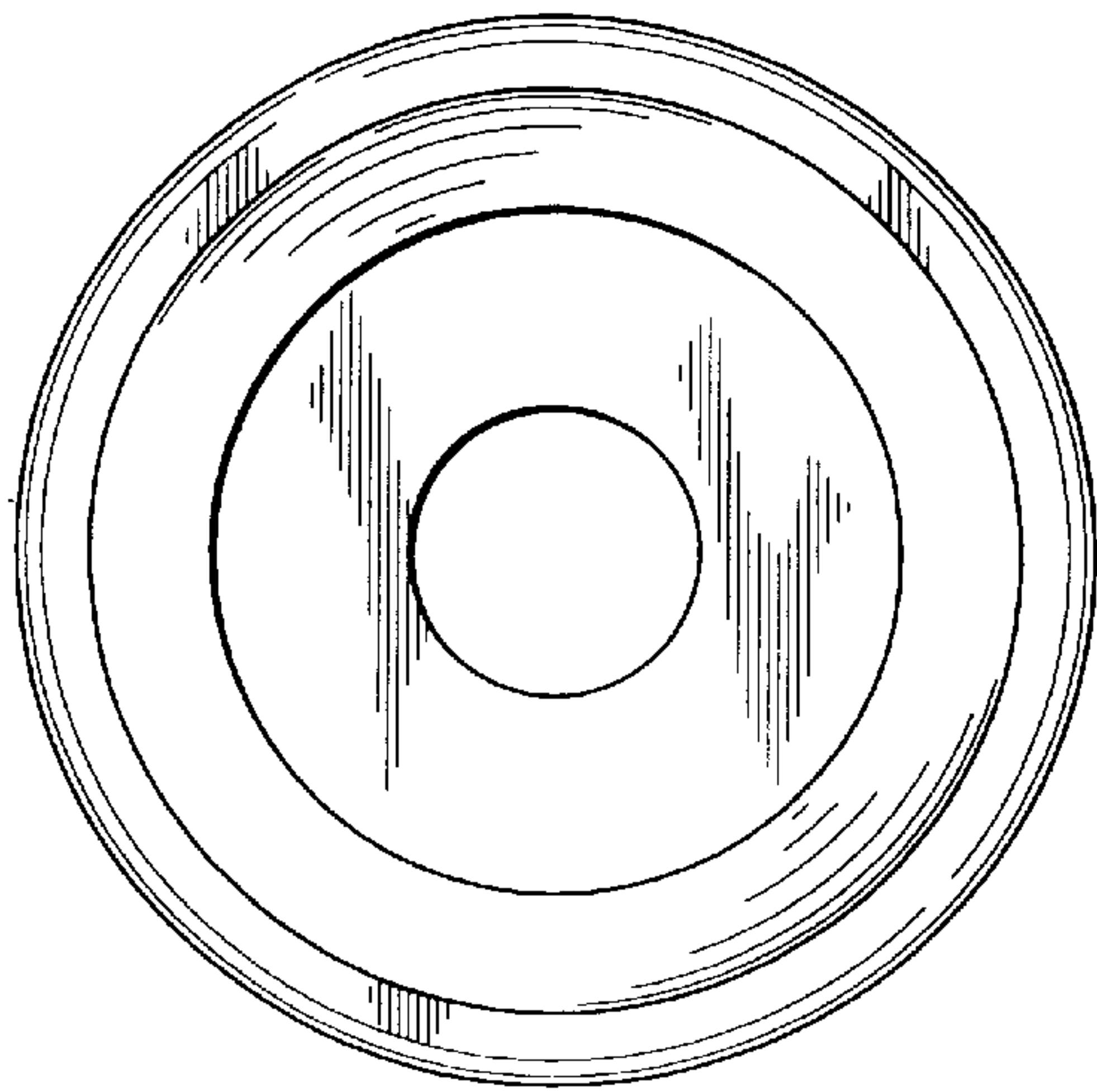


FIG. 6

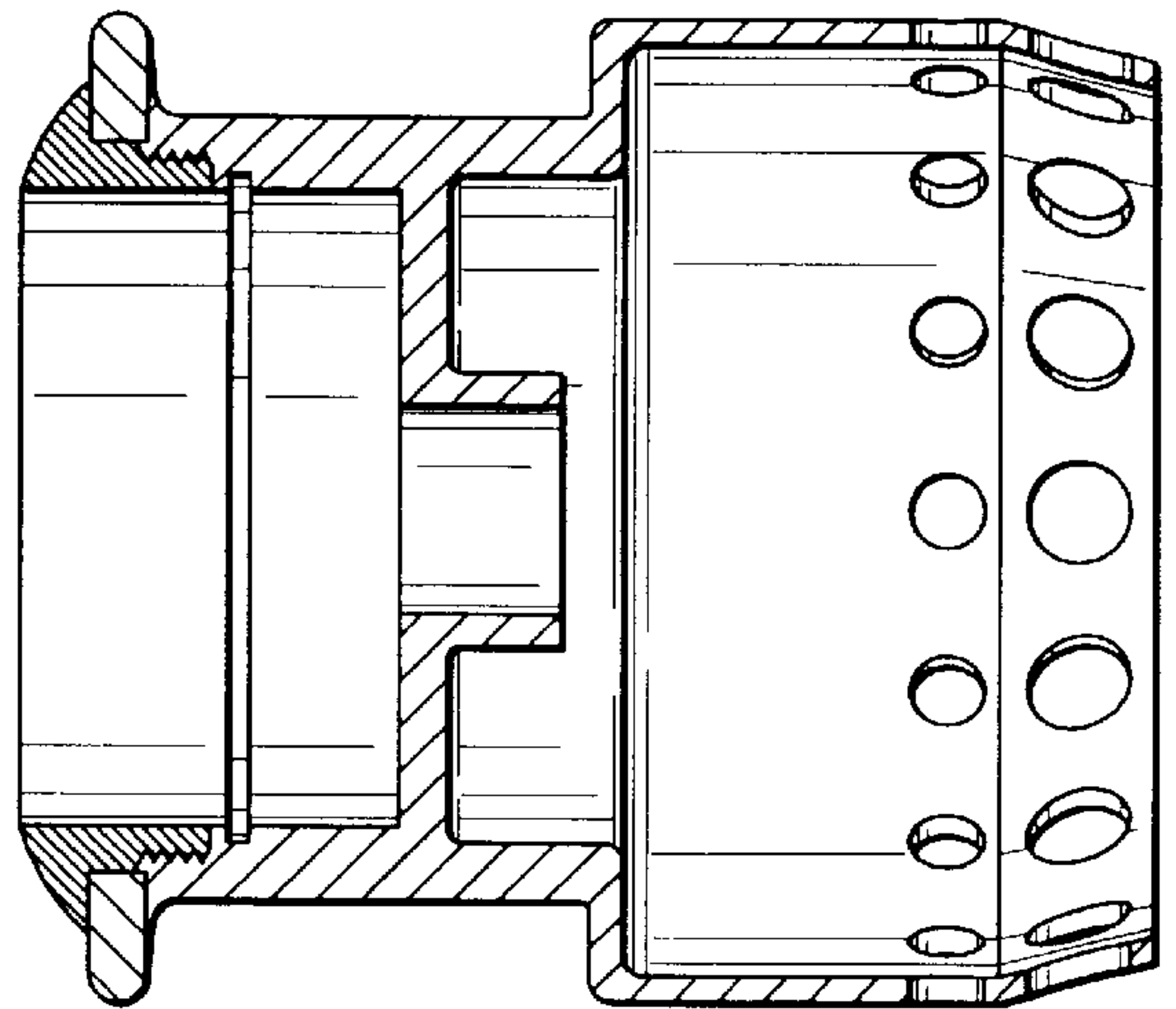


FIG. 7

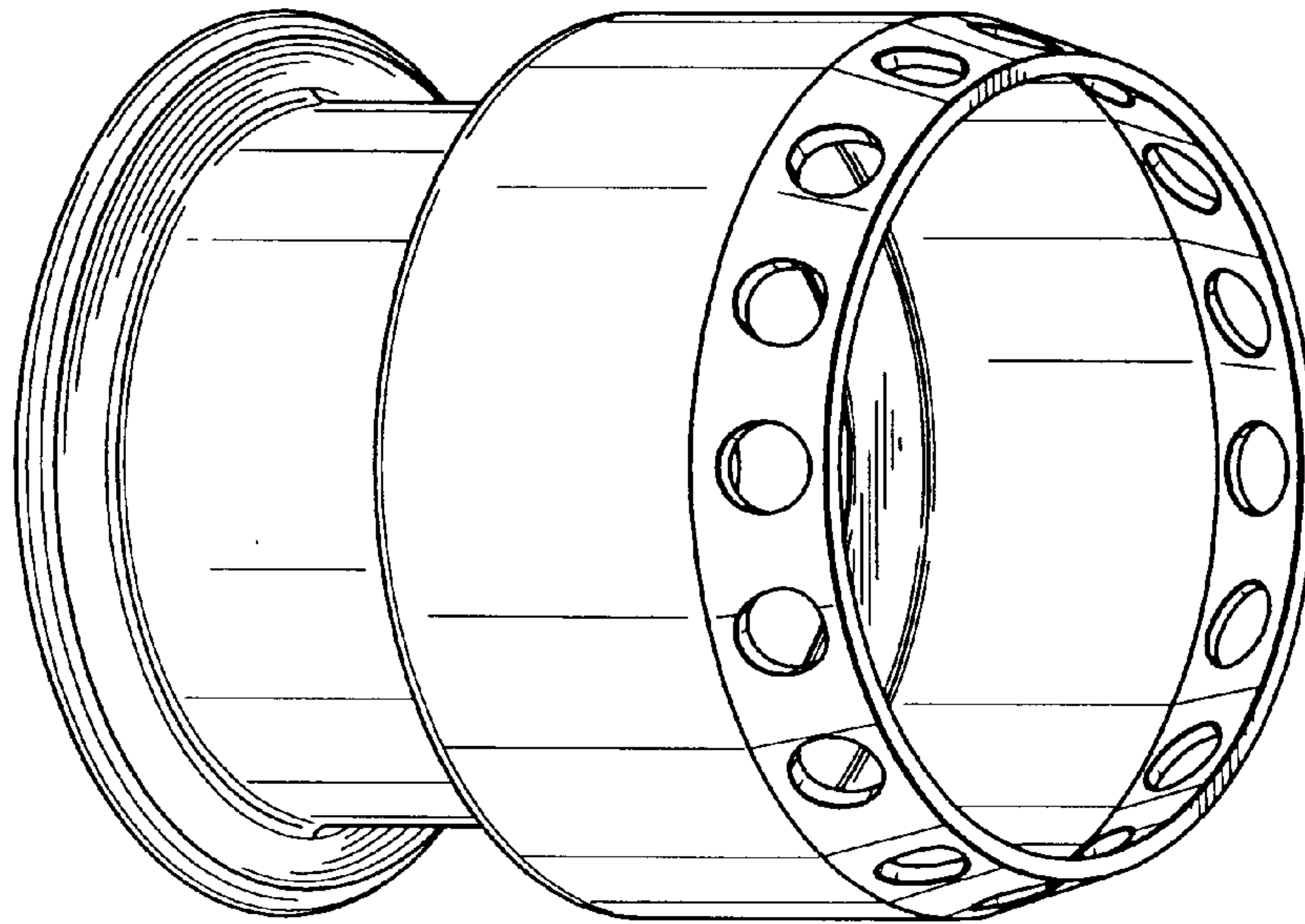


FIG. 8

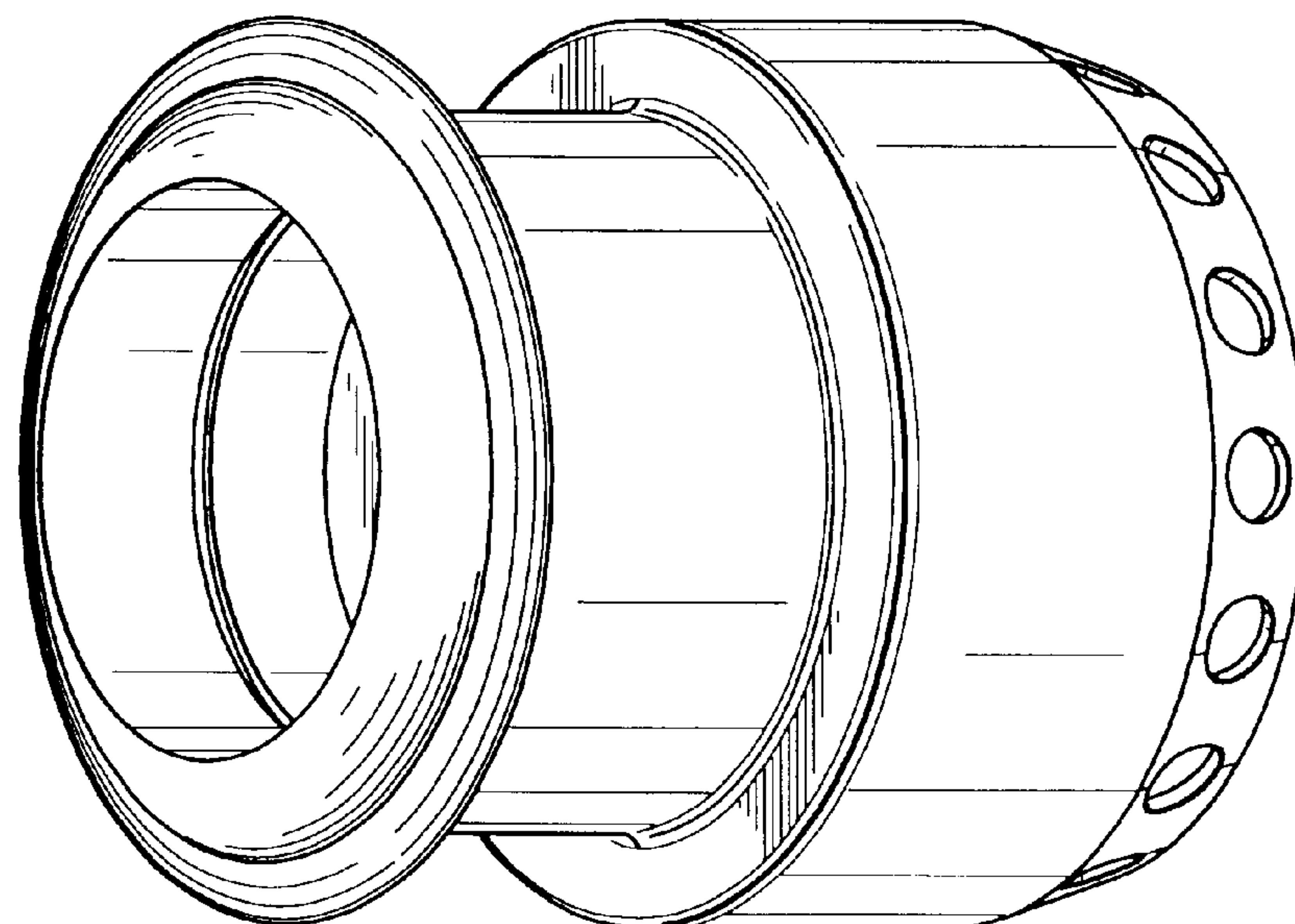


FIG. 9

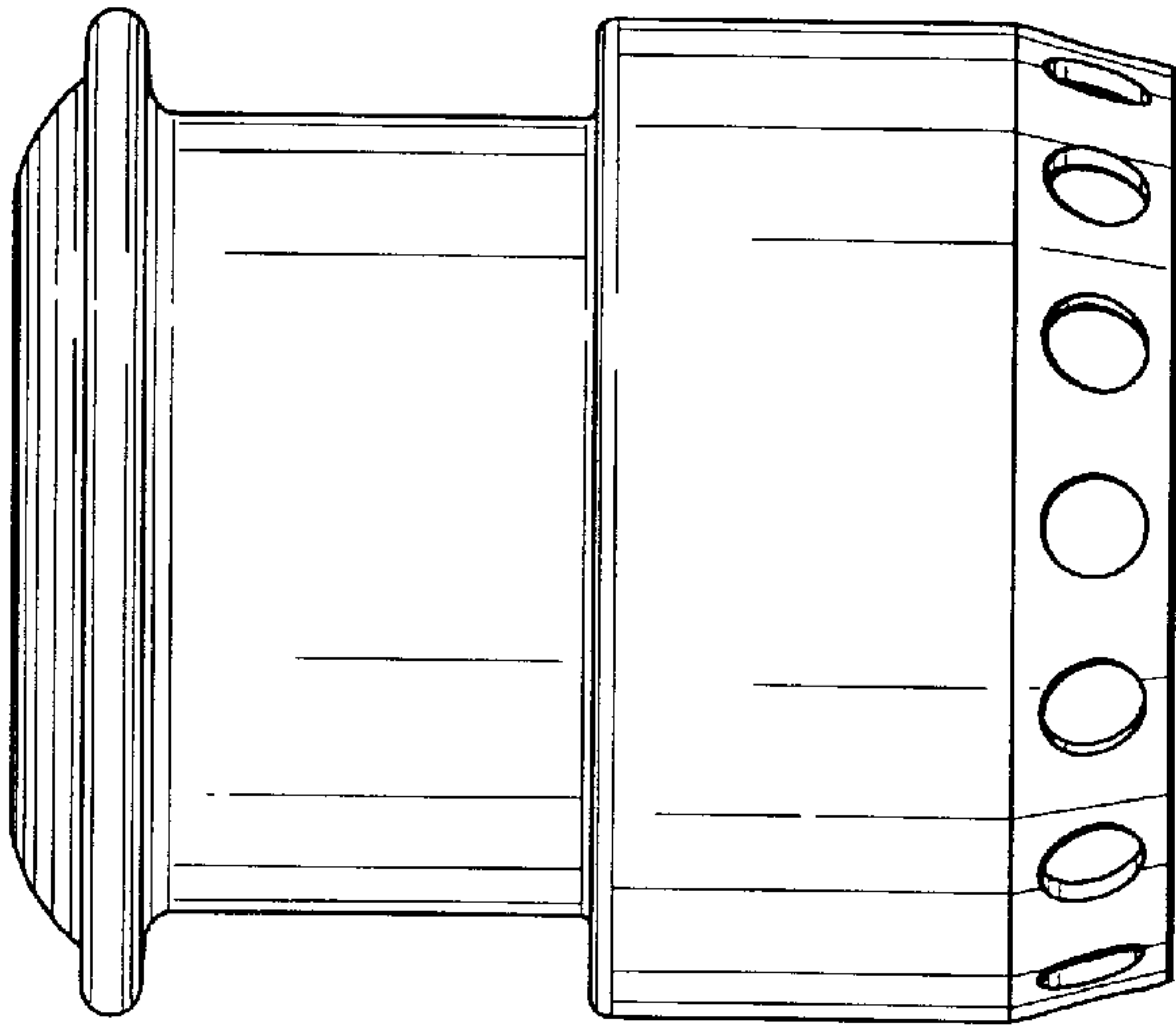


FIG. 10

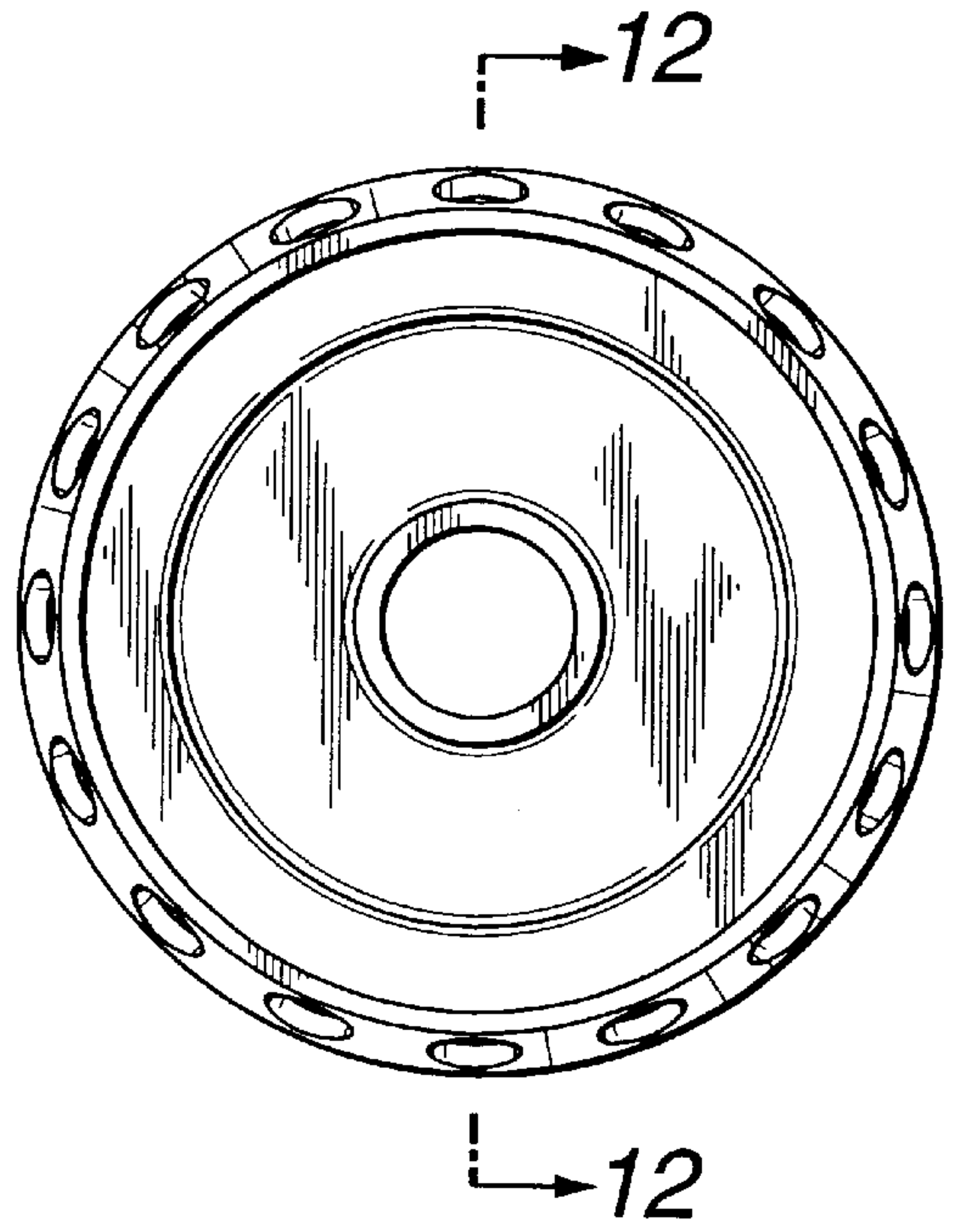


FIG. 11

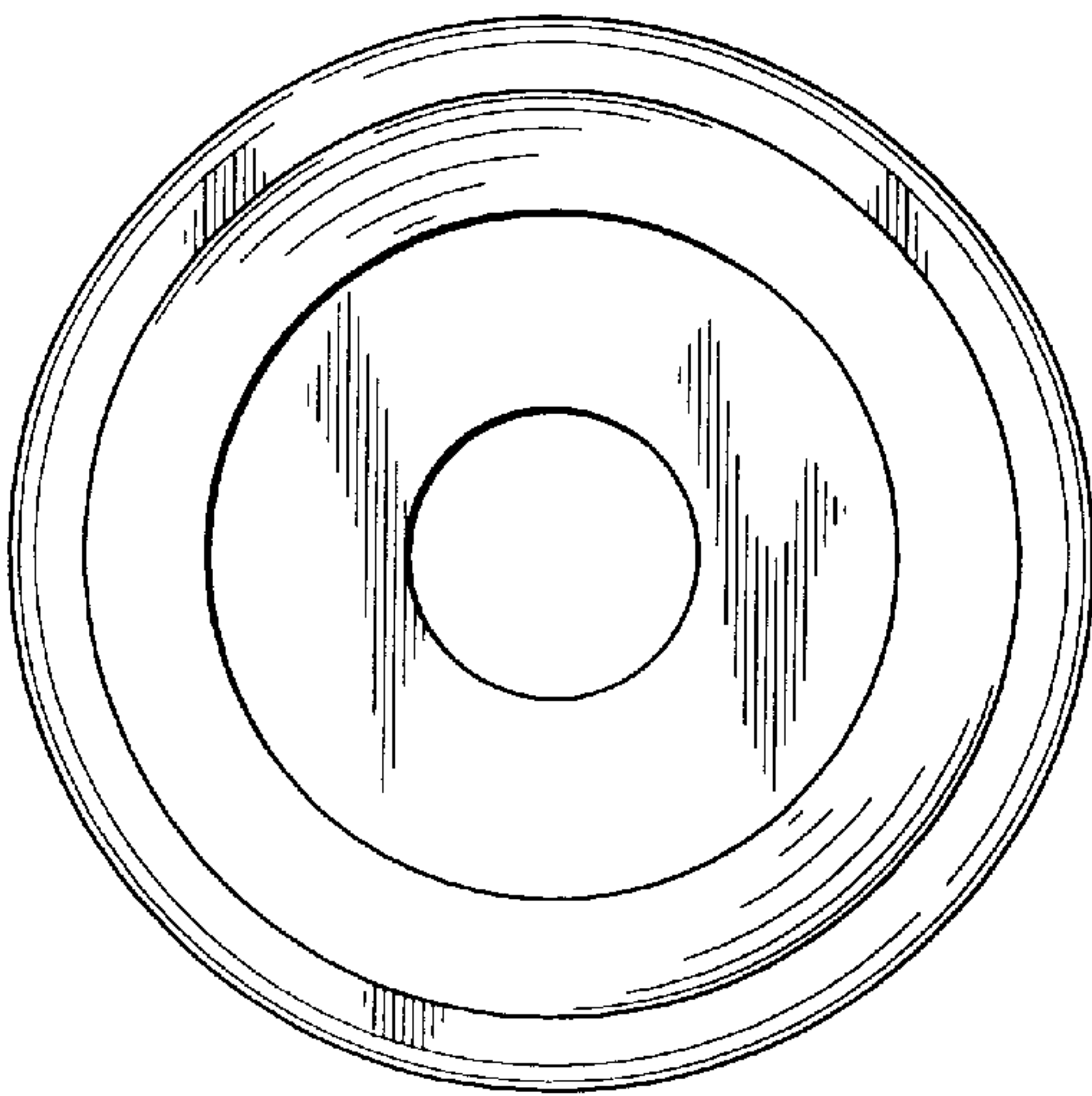


FIG. 12

