



US00D415548S

# United States Patent [19]

[11] Patent Number: Des. 415,548

Nunes et al.

[45] Date of Patent: \*\* Oct. 19, 1999

[54] INSECT TRAP

[76] Inventors: Arthur Nunes; Evelyn Nunes, both of  
1612 Santa Clara #C, Alameda, Calif.  
94501

[\*\*] Term: 14 Years

[21] Appl. No.: 29/078,701

[22] Filed: Oct. 31, 1997

[51] LOC (6) Cl. .... 22-06

[52] U.S. Cl. .... D22/122

[58] Field of Search ..... D22/122, 119;  
43/122, 107, 132.1, 121, 118

1,188,224	6/1916	Waldo	43/118
1,256,329	2/1918	Knittle	43/118
1,284,810	11/1918	Stollberg	43/118
1,900,199	3/1933	Pickett	43/107
4,217,723	8/1980	Hrebec	43/122
4,360,987	11/1982	Lowder	43/122
4,793,092	12/1988	Avittan	43/122
4,794,724	1/1989	Peters	43/122
5,239,771	8/1993	Beardsley	43/119
5,243,781	9/1993	Carter	43/122

Primary Examiner—Louis S. Zarfaz  
Assistant Examiner—Inga-Maria Hyttinen  
Attorney, Agent, or Firm—Goldstein & Canino

## [57] CLAIM

The ornamental design for an insect trap, as shown and described.

## [56] References Cited

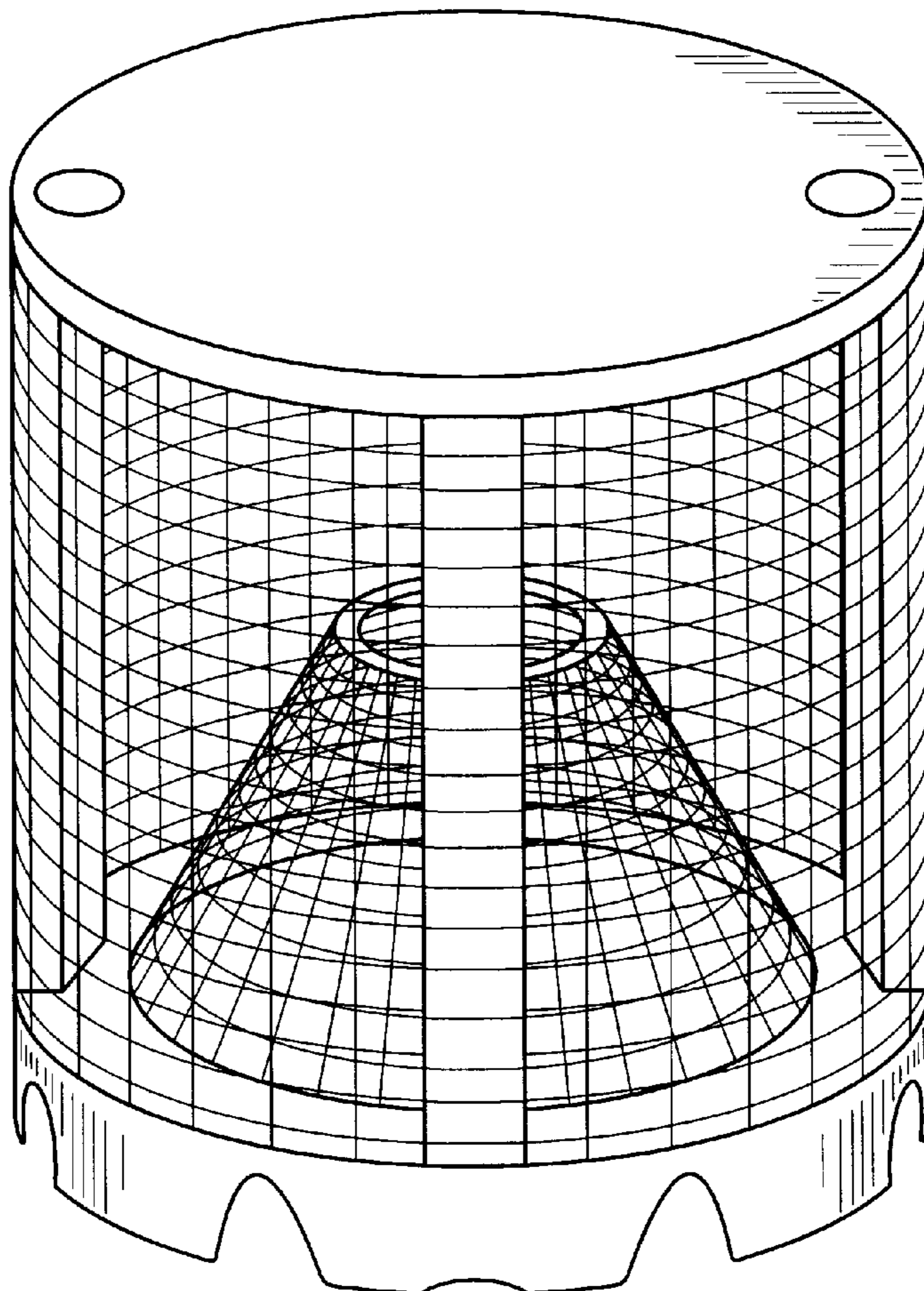
### U.S. PATENT DOCUMENTS

131,098	9/1872	Harper	43/118
172,484	1/1876	Pond	43/118
D. 342,775	12/1993	Kuipers	D22/122
D. 367,311	2/1996	Donahue et al.	D22/122
D. 383,827	9/1997	Barbone	D22/122
1,031,827	7/1912	Taylor	43/118
1,074,604	10/1913	Carlisle	43/118
1,103,578	7/1914	Gould	43/118
1,168,552	1/1916	Richards	43/118

## DESCRIPTION

FIG. 1 is a diagrammatic perspective view of the insect trap. FIG. 2 is a top plan view thereof. FIG. 3 is a bottom plan view thereof; and, FIG. 4 is a front elevational view of the insect trap, the rear elevational view, left side elevational view and right side elevational view being mirror images of the front view.

1 Claim, 2 Drawing Sheets



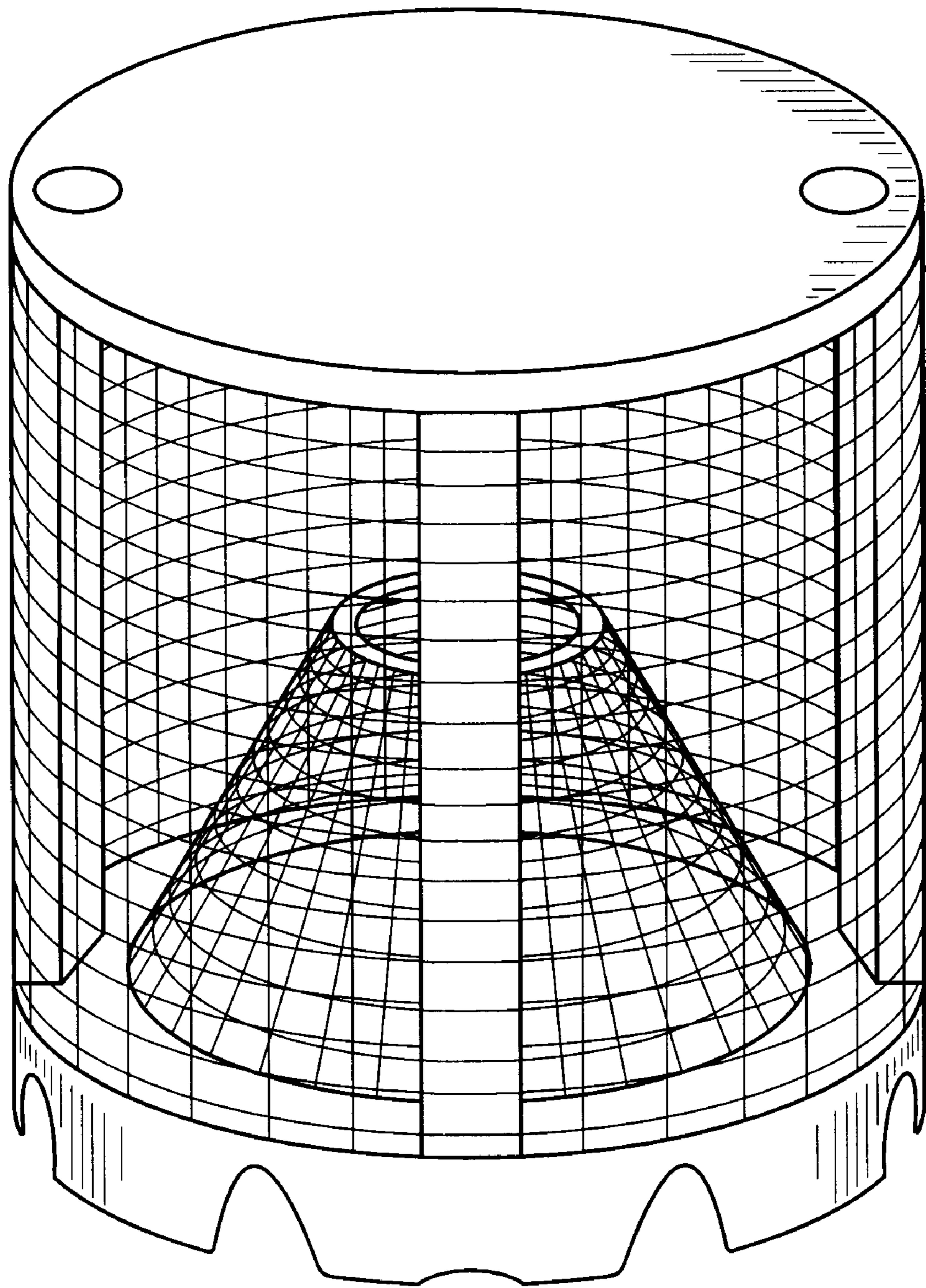


FIG. 1

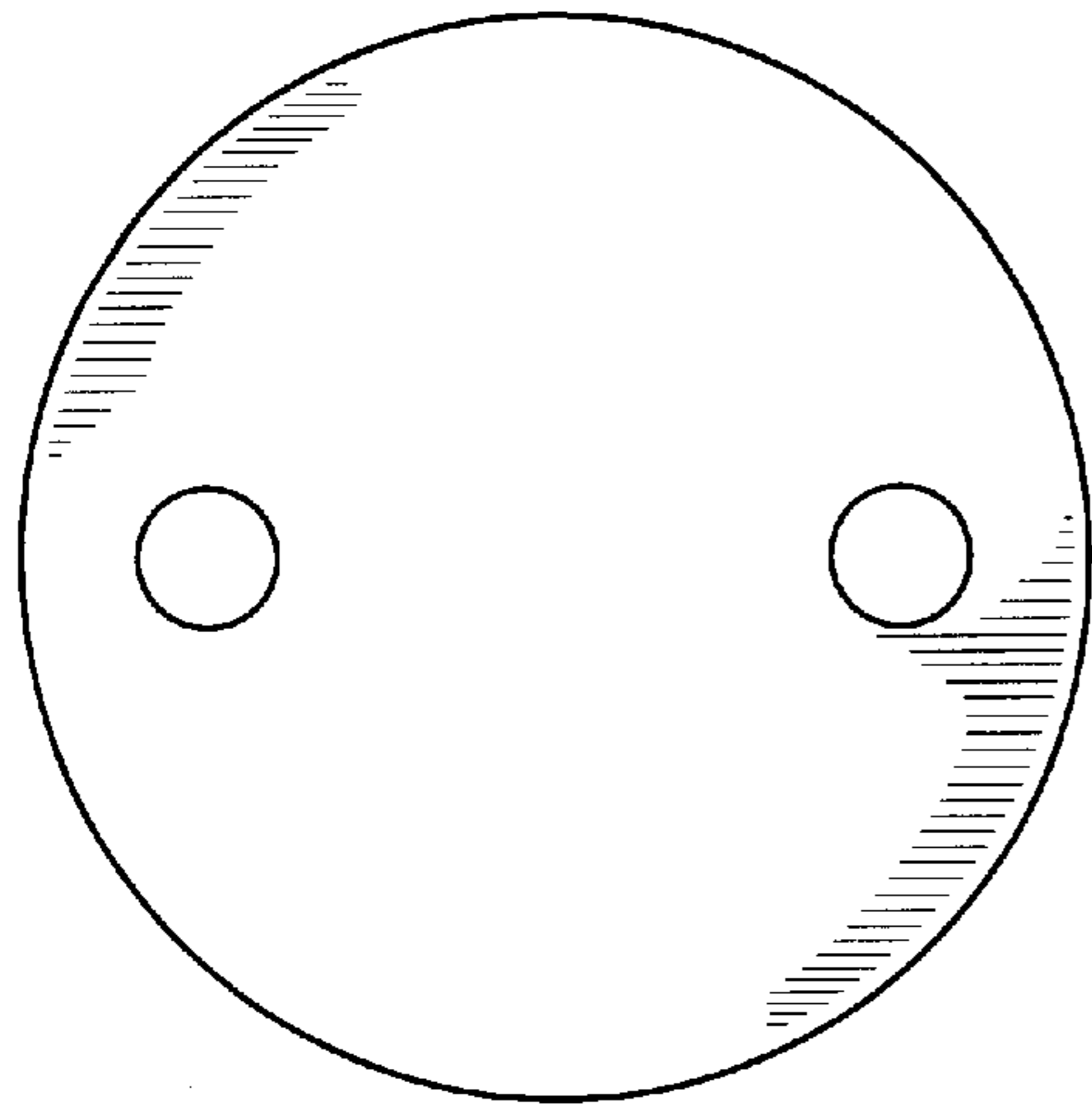


FIG. 2

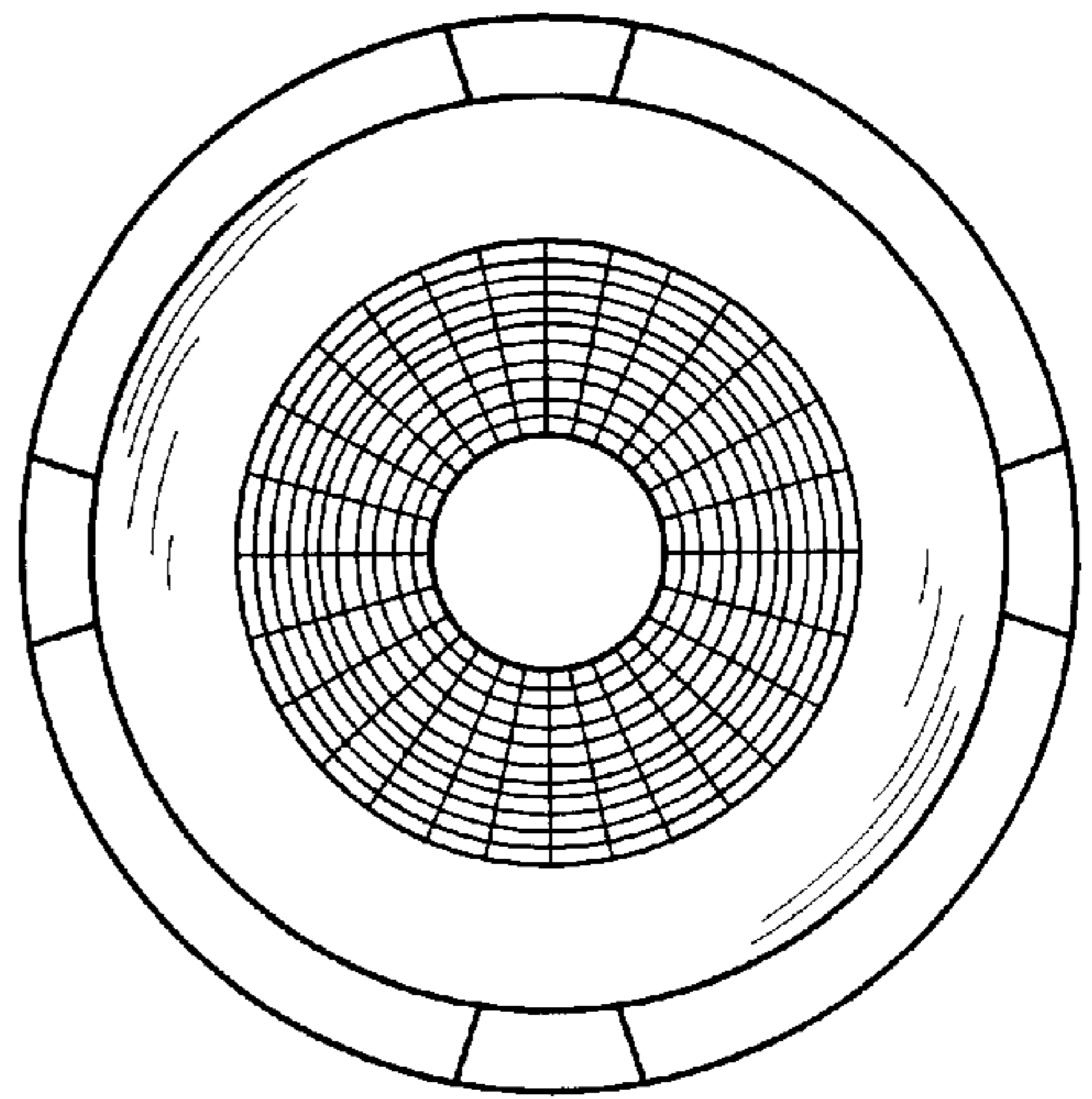


FIG. 3

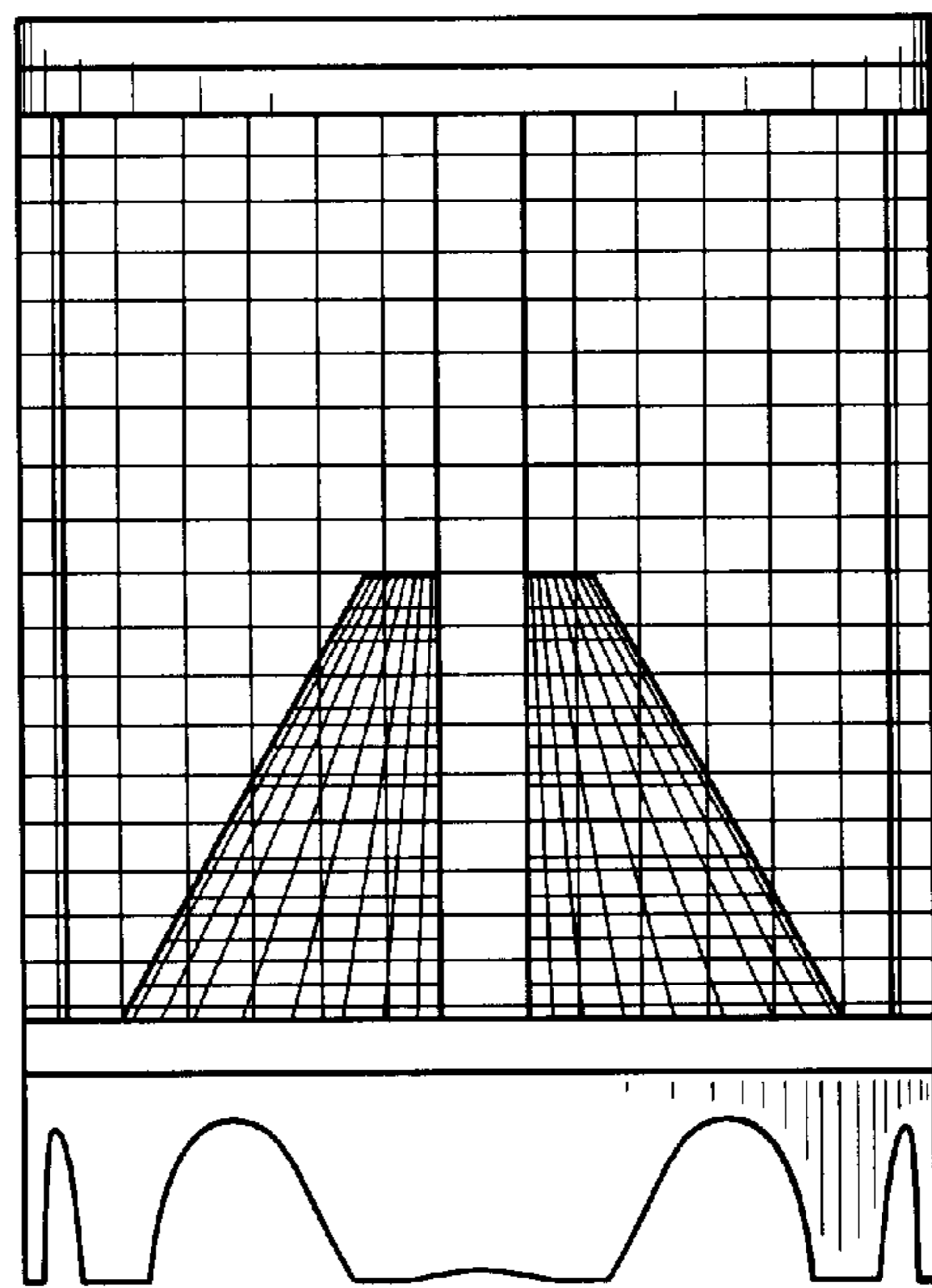


FIG. 4