



US00D415546S

# United States Patent [19]

Otteman et al.

[11] Patent Number: Des. 415,546

[45] Date of Patent: \*\* Oct. 19, 1999

[54] TELESCOPIC SIGHT MOUNTING RACK

5,771,623 6/1998 Pernstich et al. .... 42/101

[75] Inventors: Rodney H. Otteman, Aloha; Victoria J. Peters, Forest Grove, both of Oreg.

Primary Examiner—Louis S. Zarfes  
Assistant Examiner—Monica A. Weingart  
Attorney, Agent, or Firm—Stoel Rives LLP

[73] Assignee: Leupold & Stevens, Inc., Beaverton, Oreg.

### [57] CLAIM

[\*\*] Term: 14 Years

We claim the ornamental design for a telescopic sight mounting rack, as shown and described.

[21] Appl. No.: 29/095,344

### DESCRIPTION

[22] Filed: Oct. 21, 1998

[51] LOC (6) Cl. .... 22-01

[52] U.S. Cl. .... D22/110; D22/108; D22/109

[58] Field of Search ..... D28/100, 108, D28/109, 110, 199; 33/245, 246, 247, 261, 265; 42/100, 101, 103

FIG. 1 is a perspective view of a telescopic sight mounting rack with its environment of use on a telescopic sight shown in broken lines;

FIG. 2 is an objective end view thereof with its environment of use, including a telescopic sight and mounting clamps, shown in broken lines, the eyepiece end view (not shown) being identical;

FIG. 3 is a left side elevation view of the telescopic sight mounting rack of FIG. 1, the right side elevation view (not shown) being identical; and,

FIG. 4 is a bottom plan view of the telescopic sight mounting rack of FIG. 2.

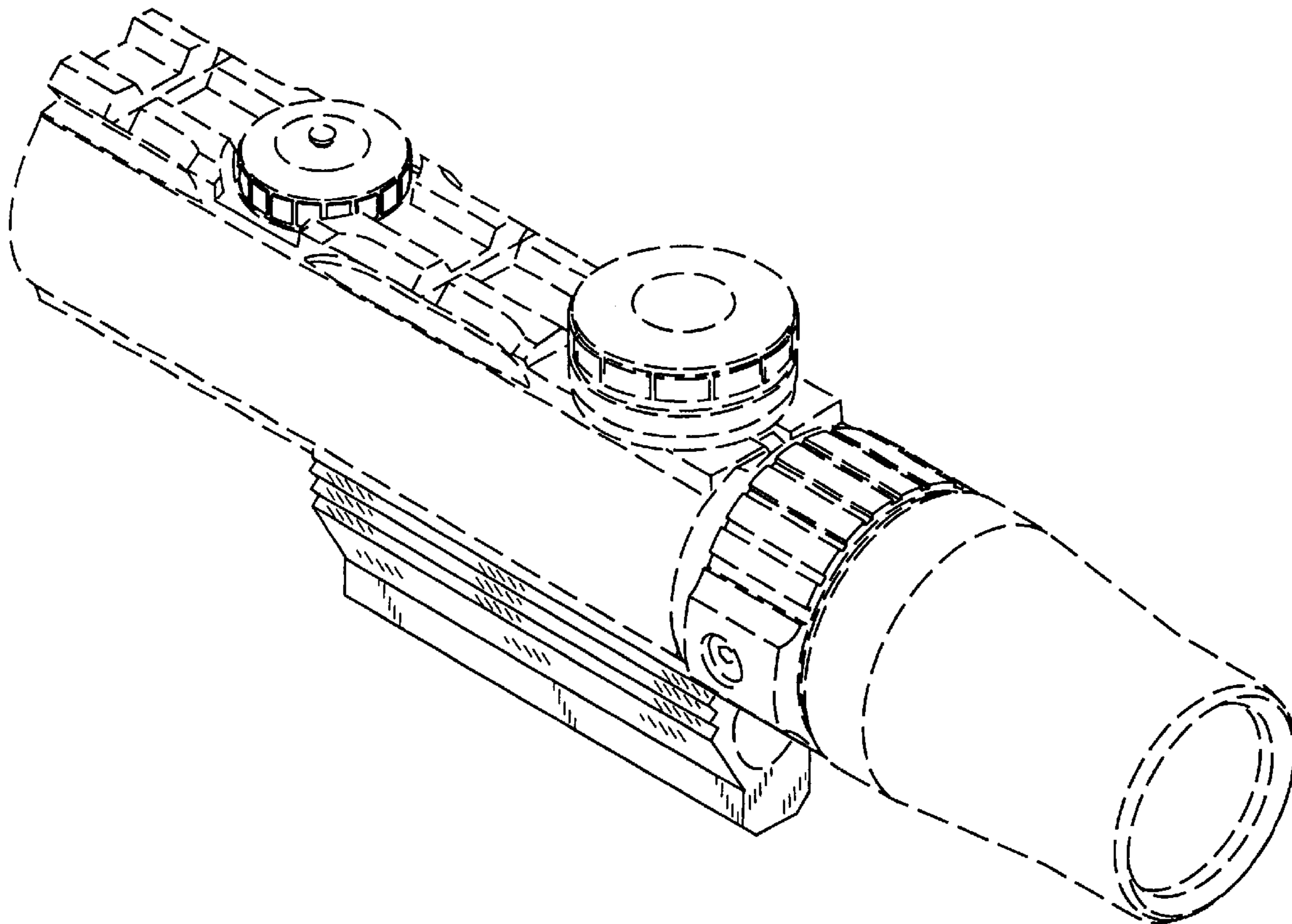
The broken lines showing of the telescopic sight and mounting clamps in FIGS. 1-4 are illustrative of the environmental structure only and form no part of the claimed design.

### [56] References Cited

#### U.S. PATENT DOCUMENTS

D. 203,508	1/1966	Hansen	.....	D22/110
D. 291,468	8/1987	Bechtel	.....	D22/110
D. 348,714	7/1994	Rubin et al.	.....	D22/110
D. 357,723	4/1995	Eddleman	.....	D22/110
3,187,435	6/1965	Miller, Jr.	.....	D22/110 X
3,463,430	8/1969	Rubin et al.	.....	33/245
4,021,954	5/1977	Crawford	.....	33/250

1 Claim, 2 Drawing Sheets



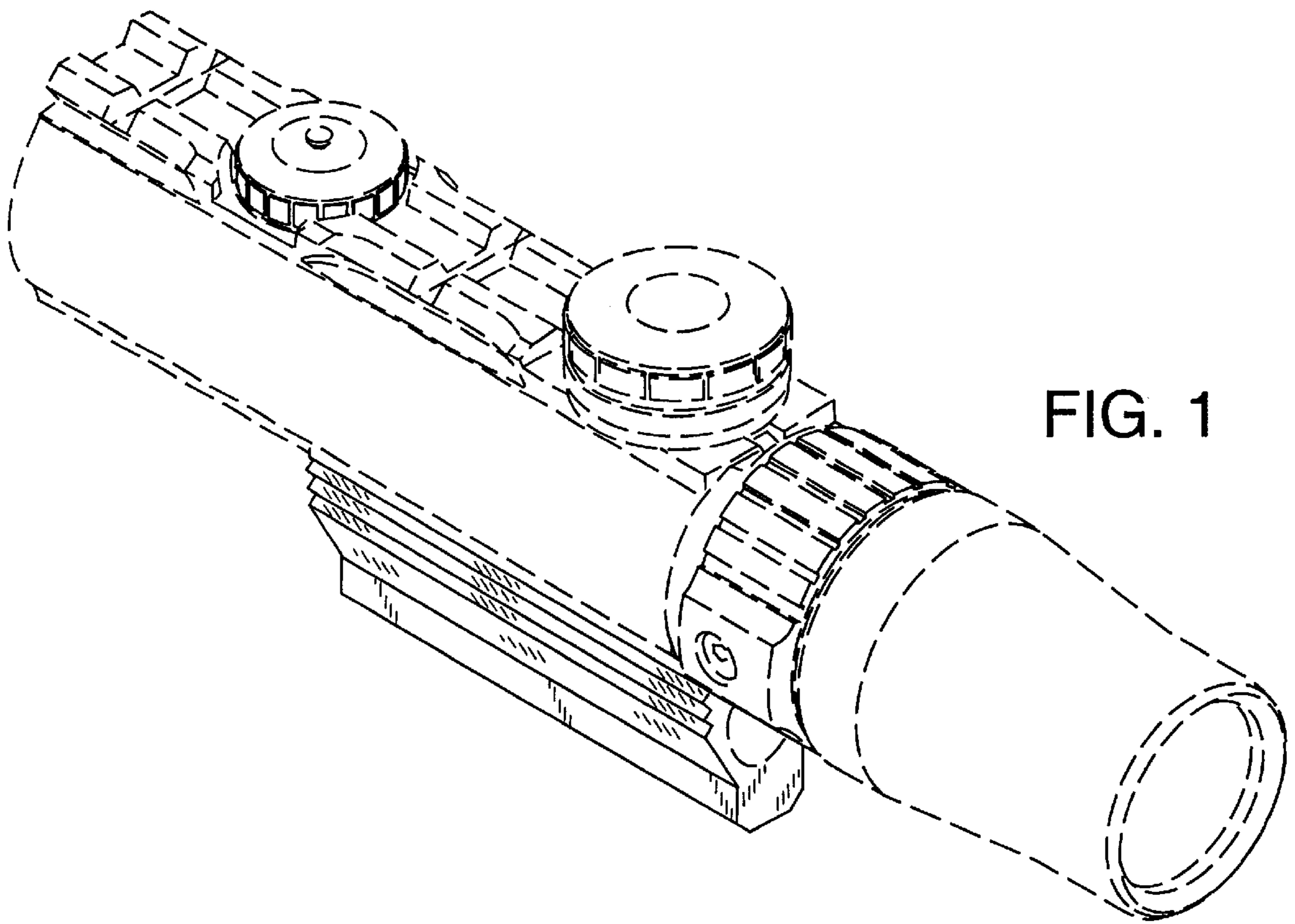


FIG. 1

FIG. 2

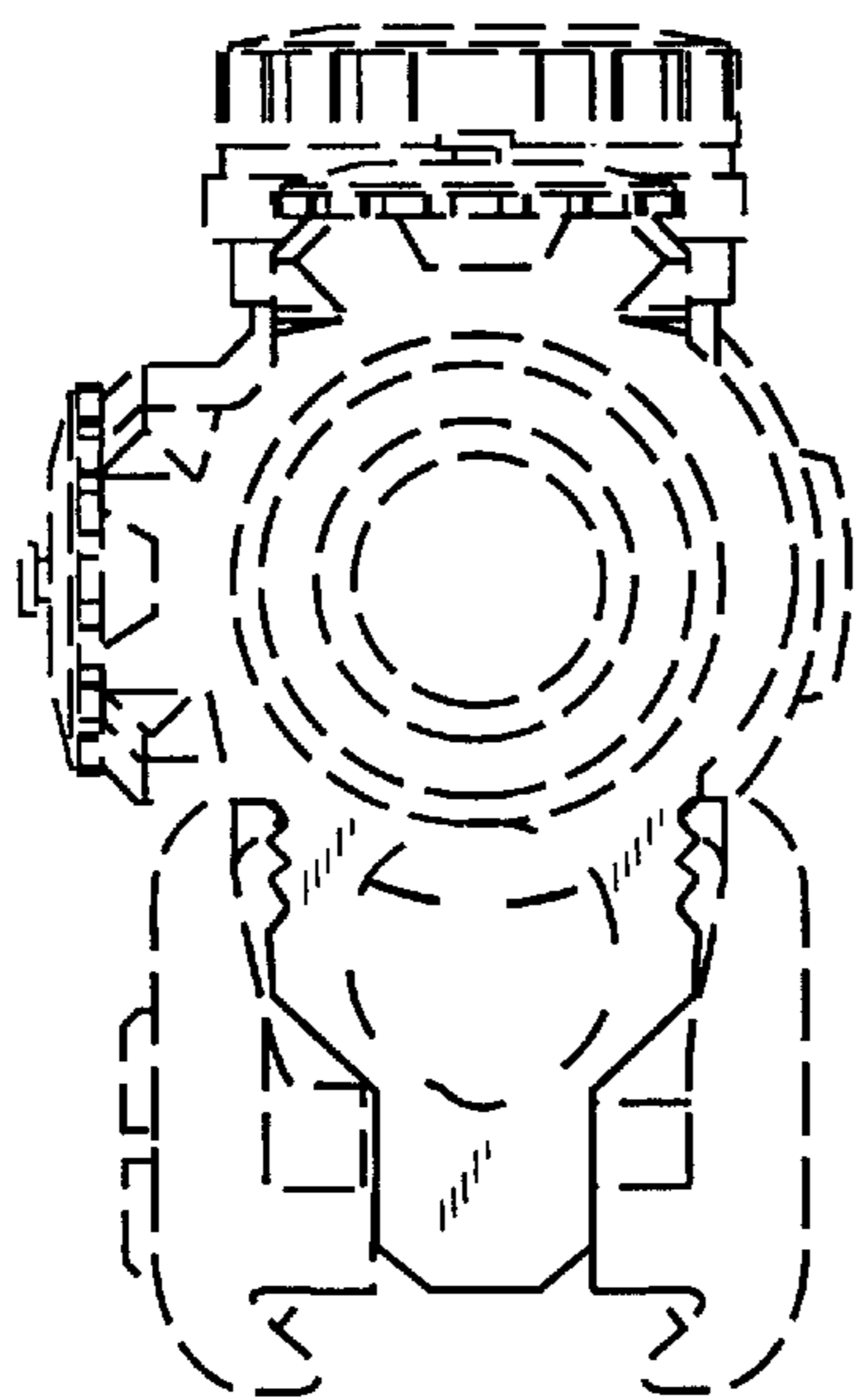


FIG. 3

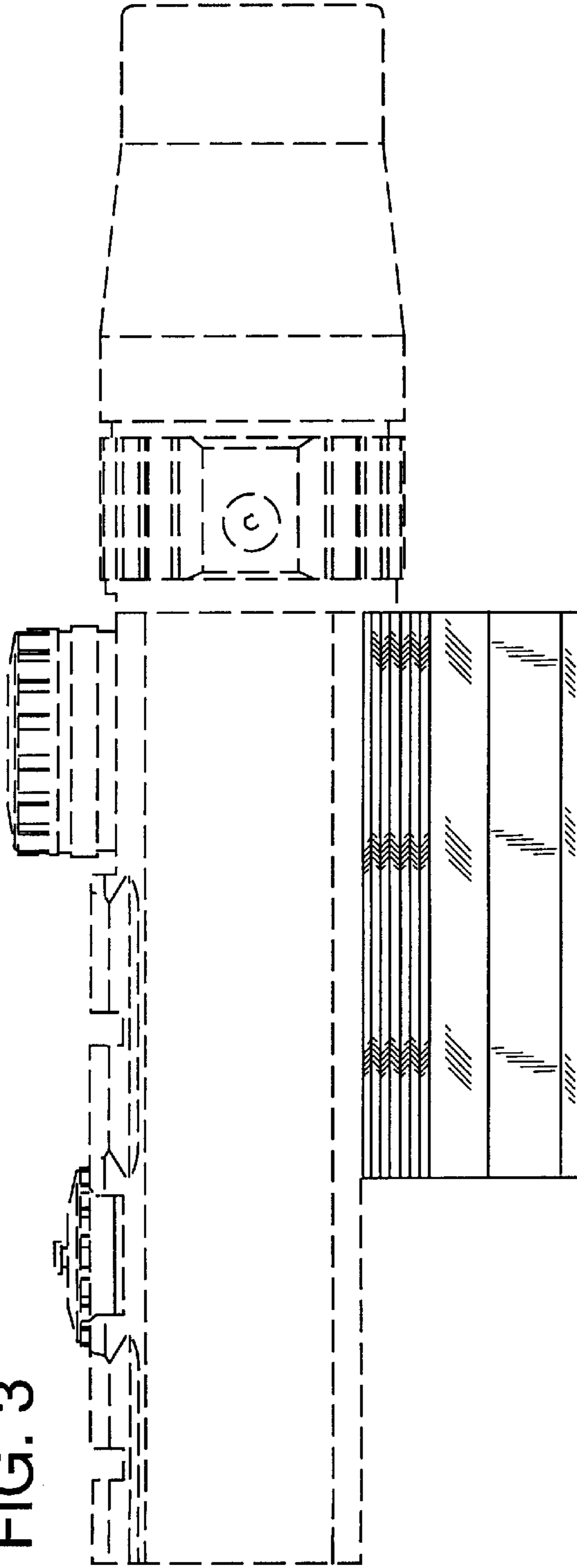


FIG. 4

