



US00D415545S

United States Patent [19]

Sutton et al.

[11] Patent Number: Des. 415,545

[45] Date of Patent: ** Oct. 19, 1999

[54] PLAYGROUND DRAGON HEAD

[75] Inventors: Wesley D. Sutton; Brian Henry; Michael Yates, all of Fort Payne, Ala.

[73] Assignee: Playcore, Inc., Fort Payne, Ala.

[**] Term: 14 Years

[21] Appl. No.: 29/095,693

[22] Filed: Oct. 28, 1998

[51] LOC (6) Cl. 21-03

[52] U.S. Cl. D21/820

[58] Field of Search D21/811, 814, D21/818-827; 482/35, 36

[56] References Cited

U.S. PATENT DOCUMENTS

D. 213,275	1/1969	Wormser	D21/827
D. 357,300	4/1995	Maynard	D21/820
D. 378,395	3/1997	Olson	D21/820
4,378,216	3/1983	Phillips	482/35

Primary Examiner—Mitchell Siegel
Attorney, Agent, or Firm—Welsh & Katz, Ltd.

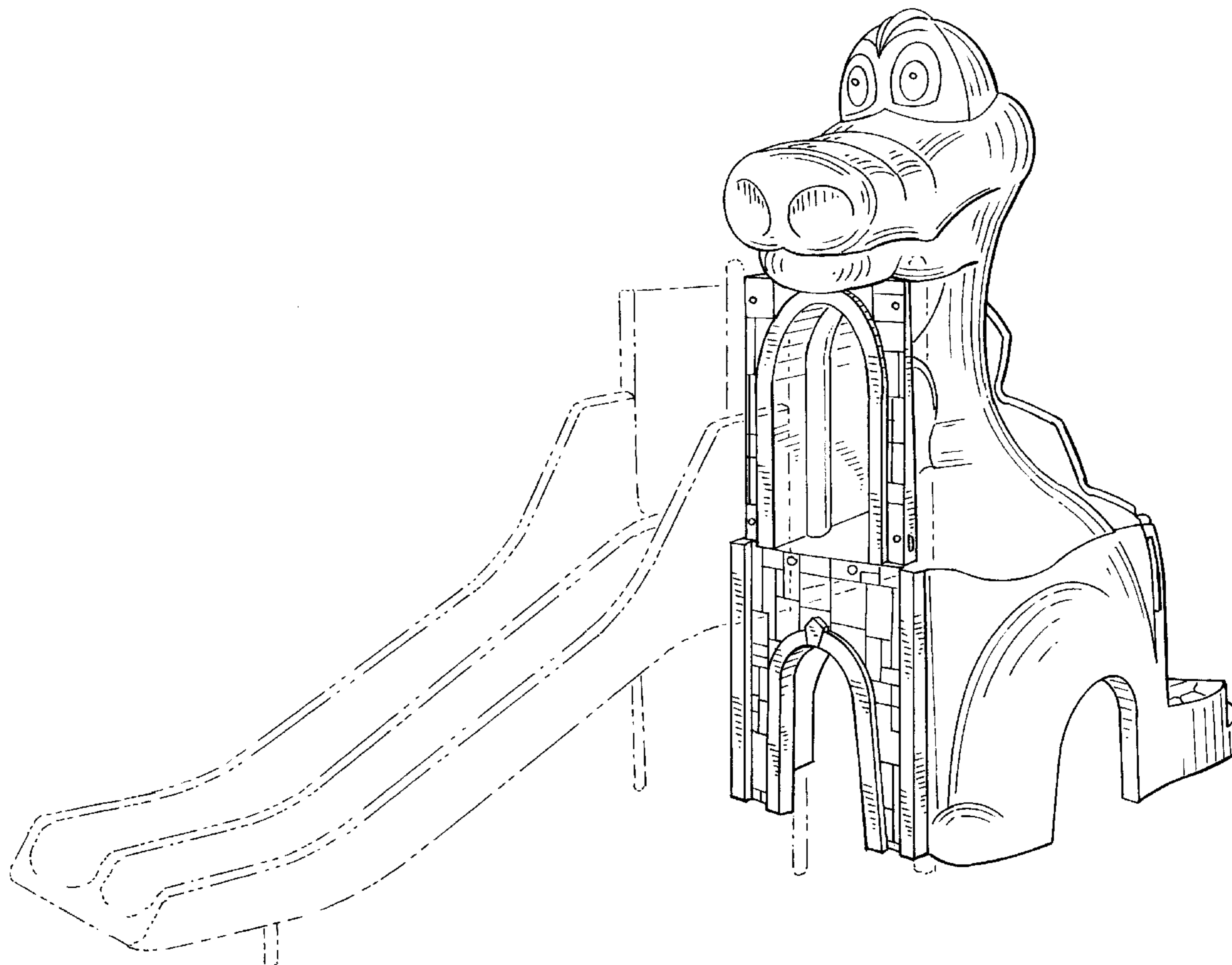
[57] CLAIM

The ornamental design for a playground dragon head, as shown and described.

DESCRIPTION

FIG. 1 is a perspective view of the playground dragon head design; the broken line showing the slide is for illustrative purposes only and forms no part of the claimed design; FIG. 2 is a front plan view of the playground dragon head design of the subject invention of FIG. 1; FIG. 3 is a left side view of the playground dragon head design of FIG. 1, the opposite side being a mirror image thereof; FIG. 4 is a rear plan view of the playground dragon head design of FIG. 1; FIG. 5 is a top plan view of the playground dragon head design of FIG. 1; and, FIG. 6 is a bottom plan view of the playground dragon head design of FIG. 1.

1 Claim, 4 Drawing Sheets



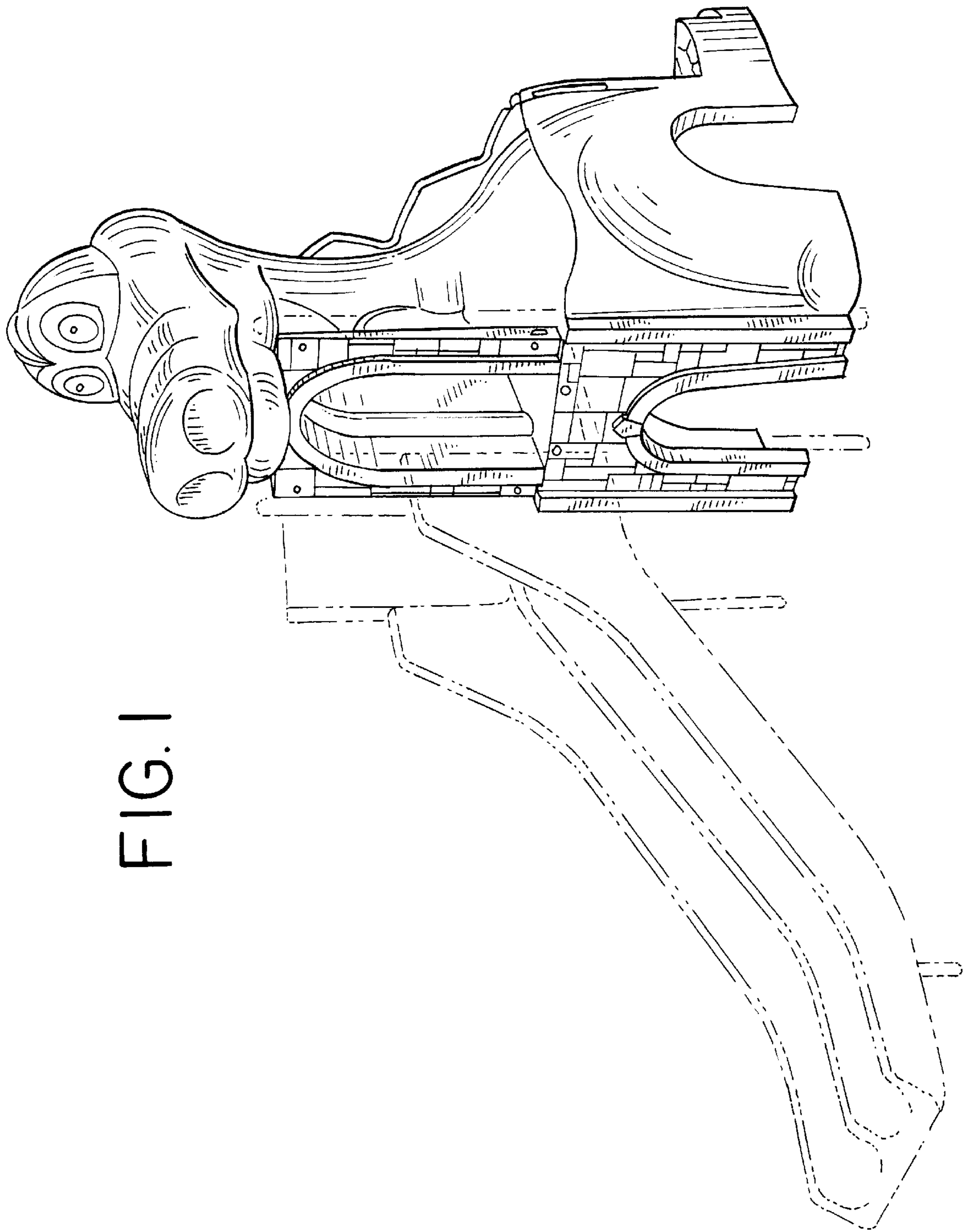


FIG. 1

FIG. 3

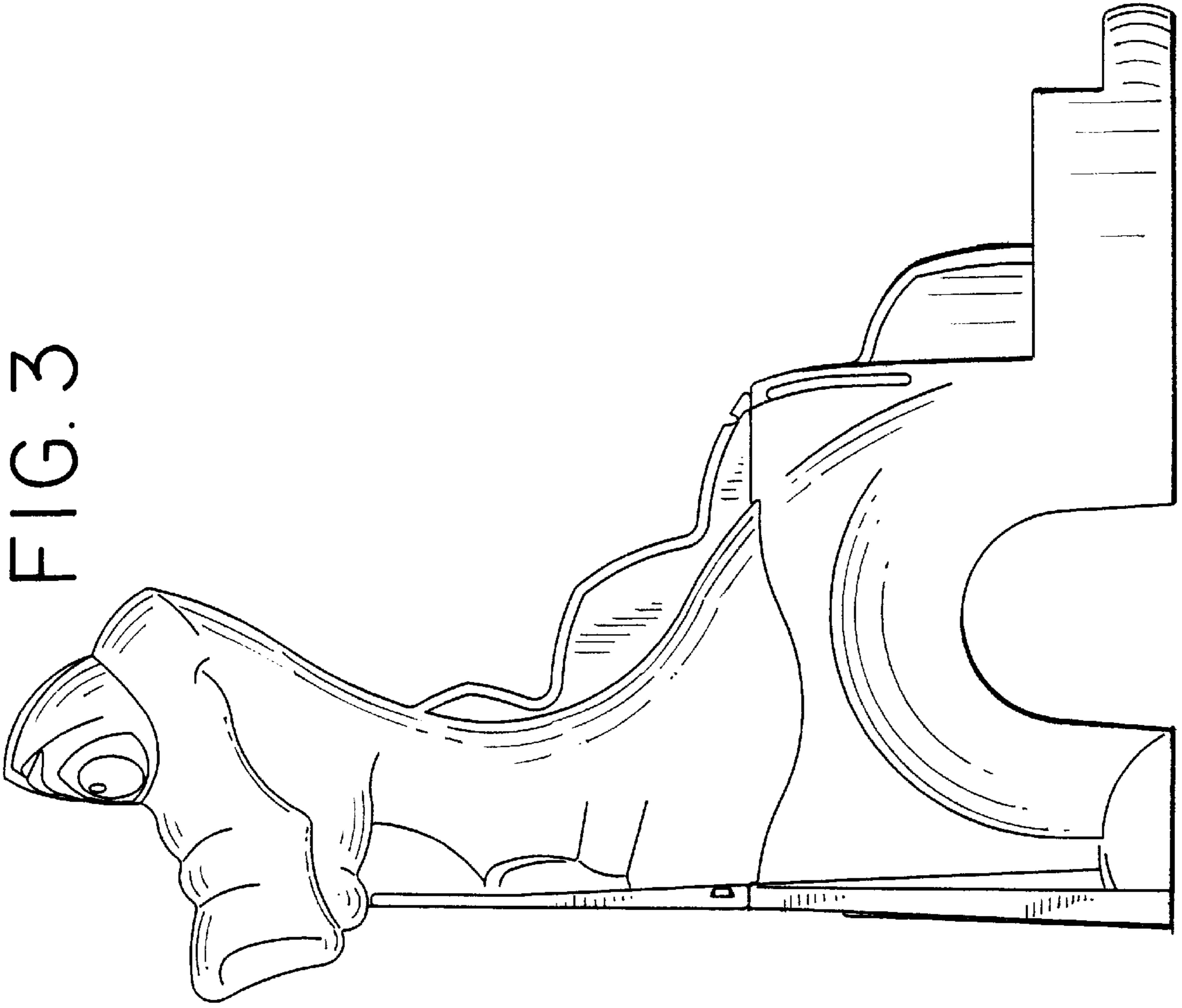


FIG. 2

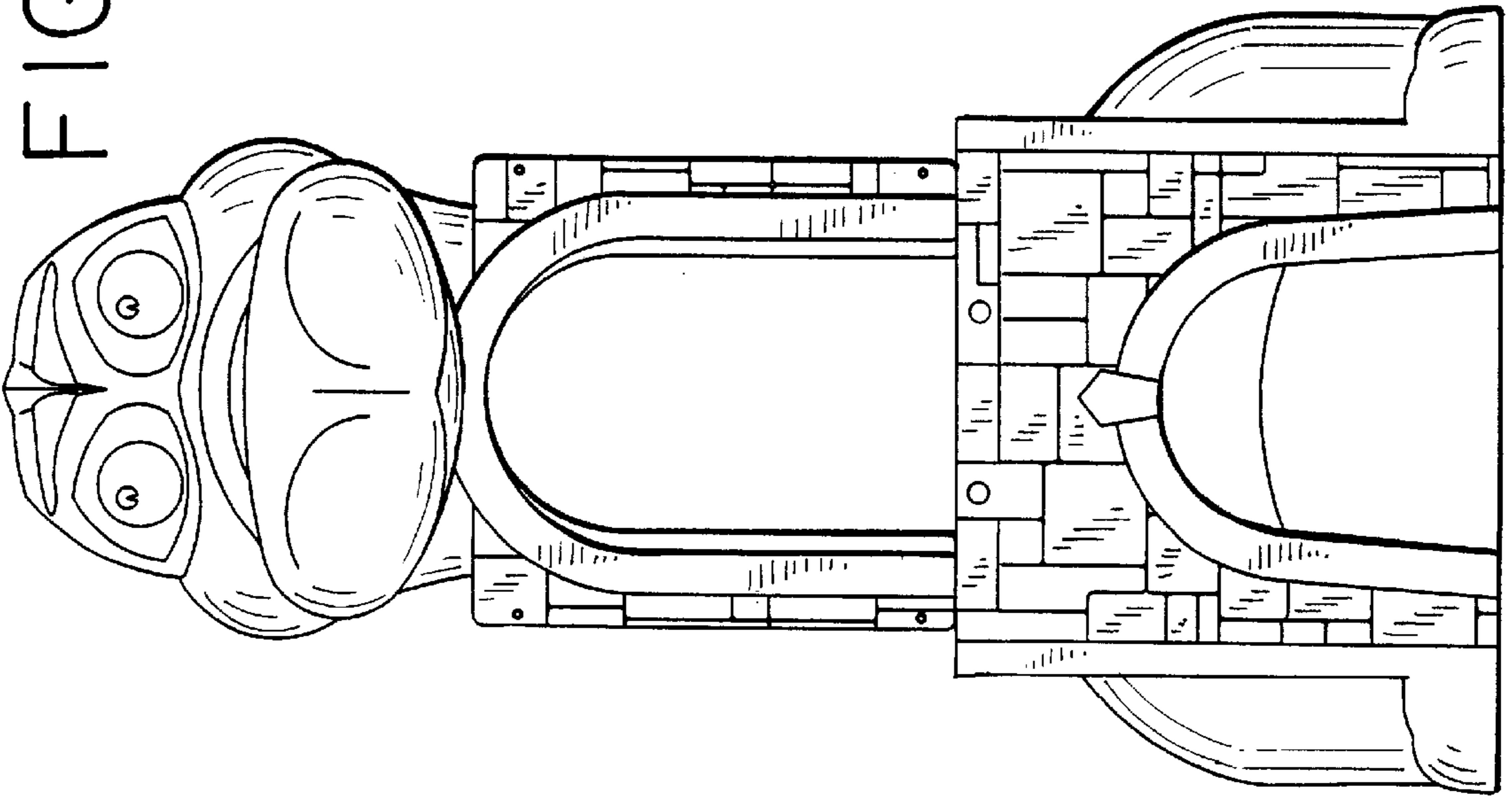


FIG. 4

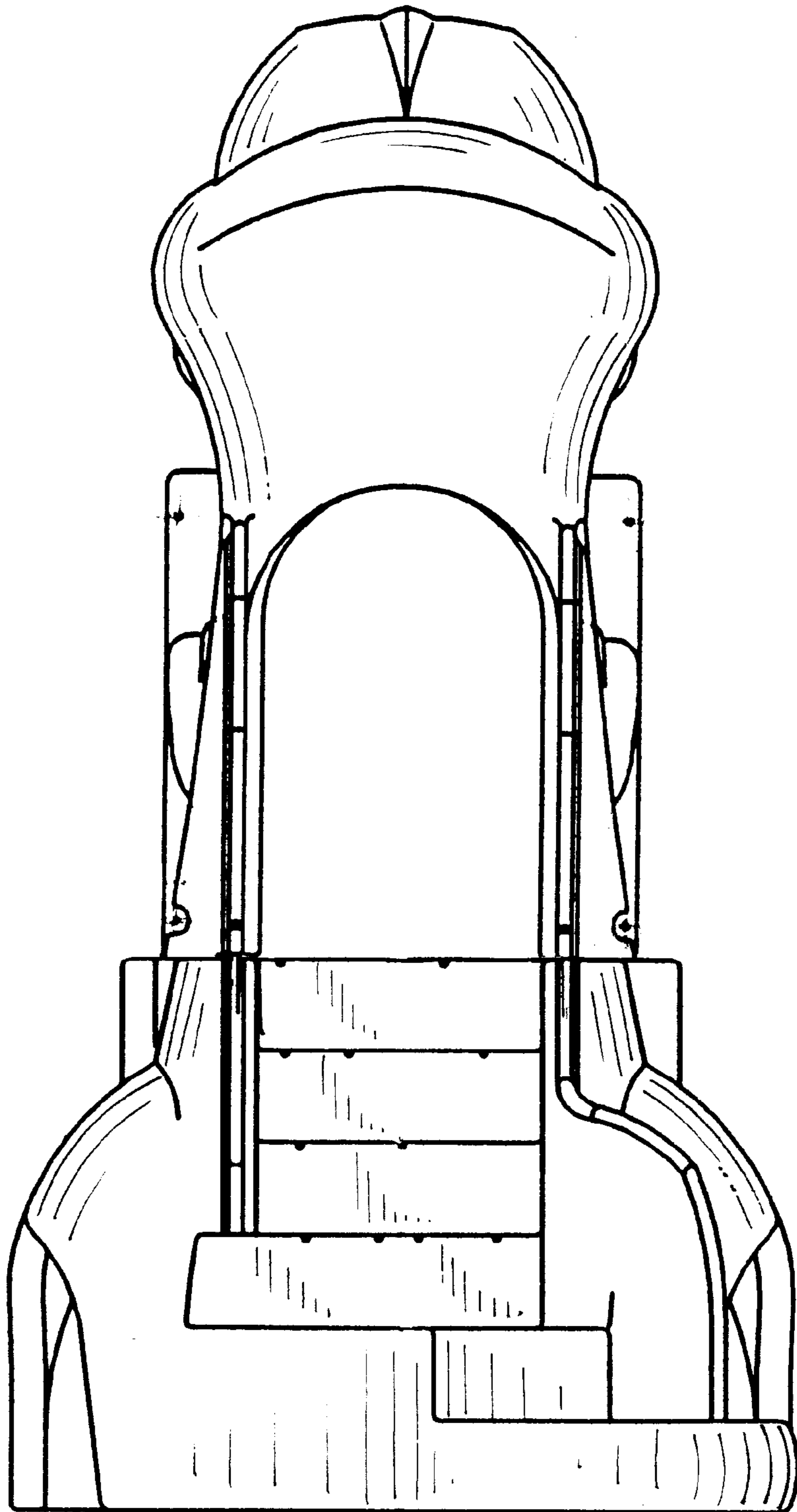


FIG. 5

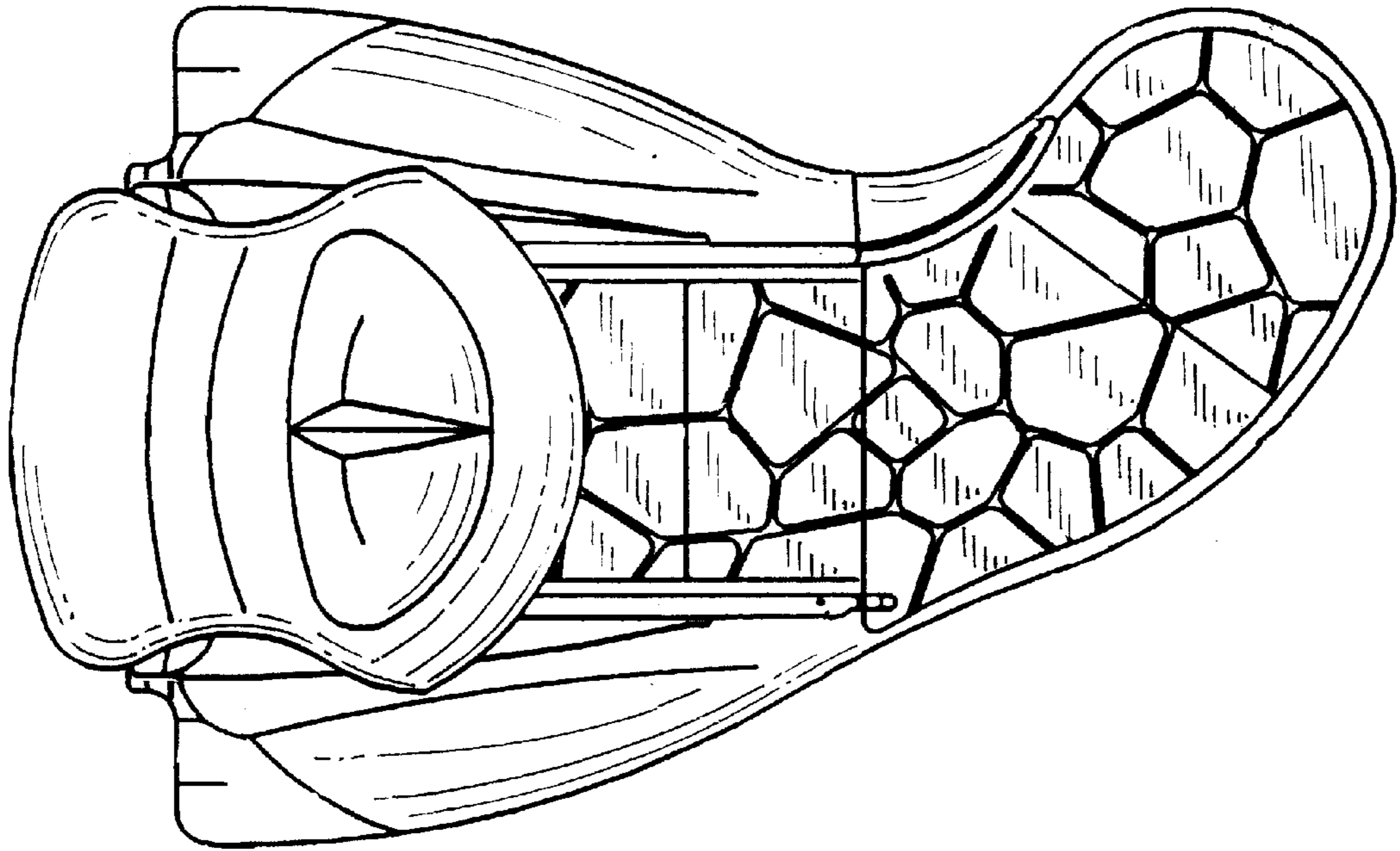


FIG. 6

